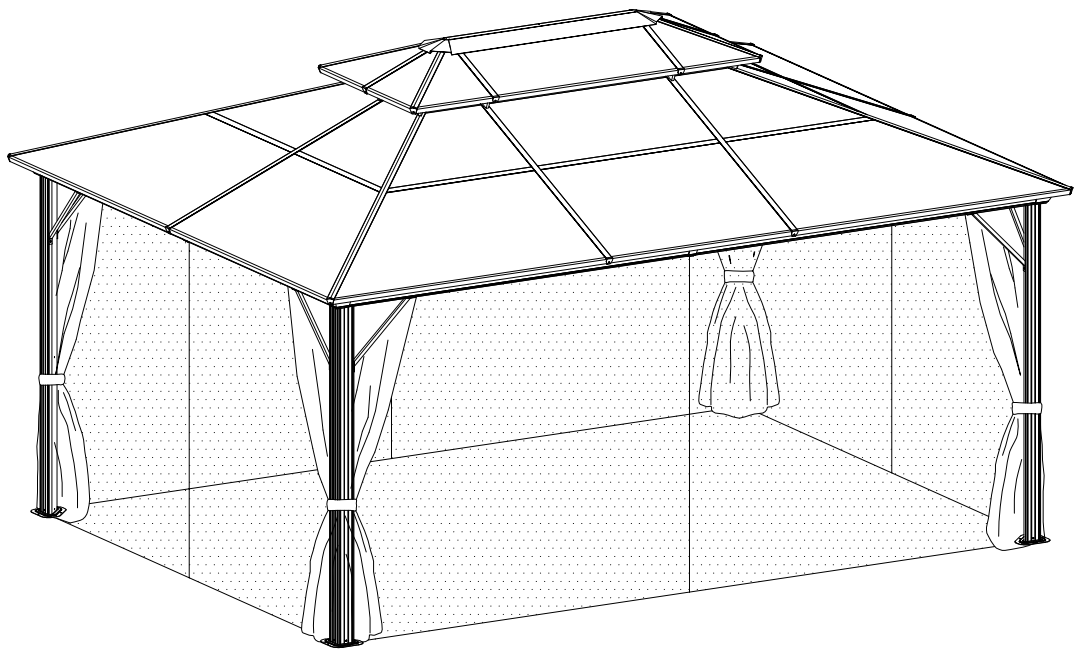


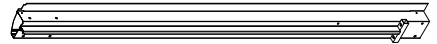
3.65 x 4.85 M

□ □ □ □ □ □ □ □ HWG20 - 033 □ □ □ □ □ □ □ □

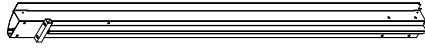




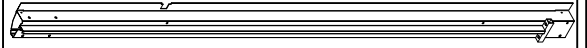
A 4x



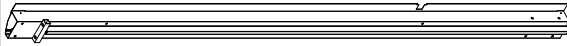
B 2x



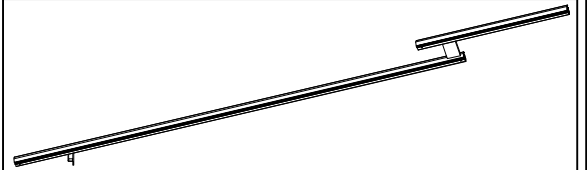
B1 2x



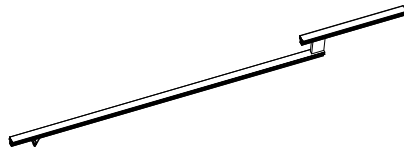
C 2x



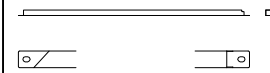
C1 2x



D 4x



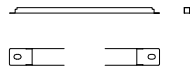
E 6x



D3 4x



D4 4x



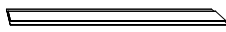
D5 2x



F 2x



F1 4x



F2 4x



G 4x



G1 4x



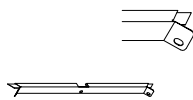
G2 4x



G3 4x



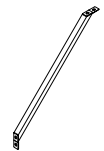
G4 4x



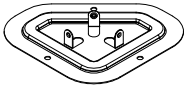
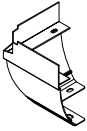

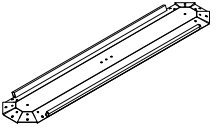
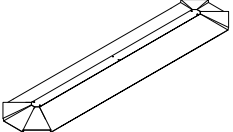

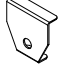
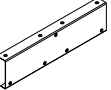
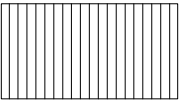
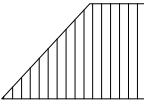
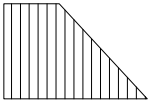
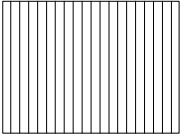
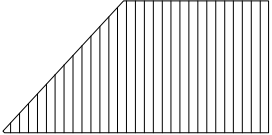
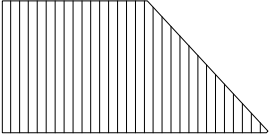
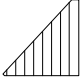
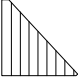
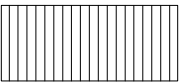
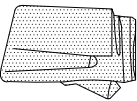
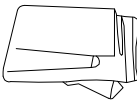

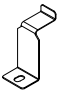


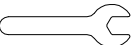






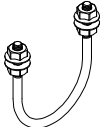
G5 2x



G6 2x



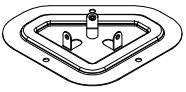
H 12x

			
(J) 4x	(K) 4x	(K1) 4x	(L) 1x
			
(M) 1x	(N) 12x	(N1) 12x	(P) 4x
			
(Q) 2x	(Q1) 4x	(Q2) 4x	(R) 2x
			
(R1) 4x	(R2) 4x	(R3) 4x	(R4) 4x
			
(R5) 2x	(S) 4x	(T) 4x	(U) 128x
			
(V) 4x	(P1) 4x	S4 1x	
			
		1x	
			
M6x15	M6x35	M5x12	ST5x12
(1) 157x	(2) 16x	(3) 4x	(4) 24x
			
(5) 2x	(9) 12x	(10) 1x	

<1>



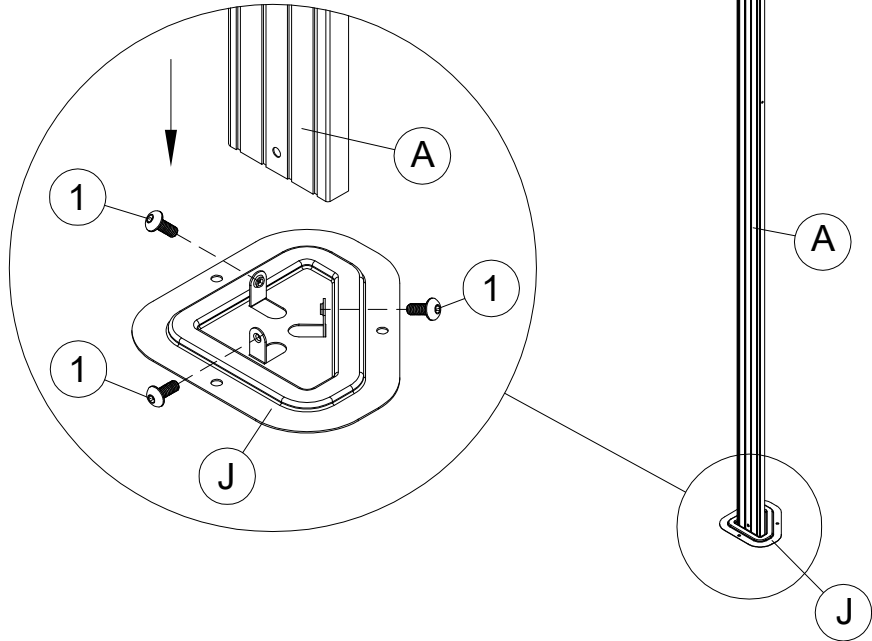
A 4x



J 4x

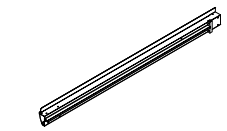


1 12x M6x15

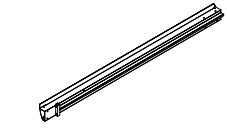


4

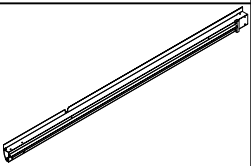
<2>



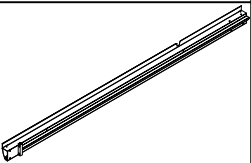
B 2x



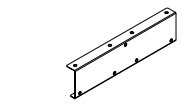
B1 2x



C 2x



C1 2x

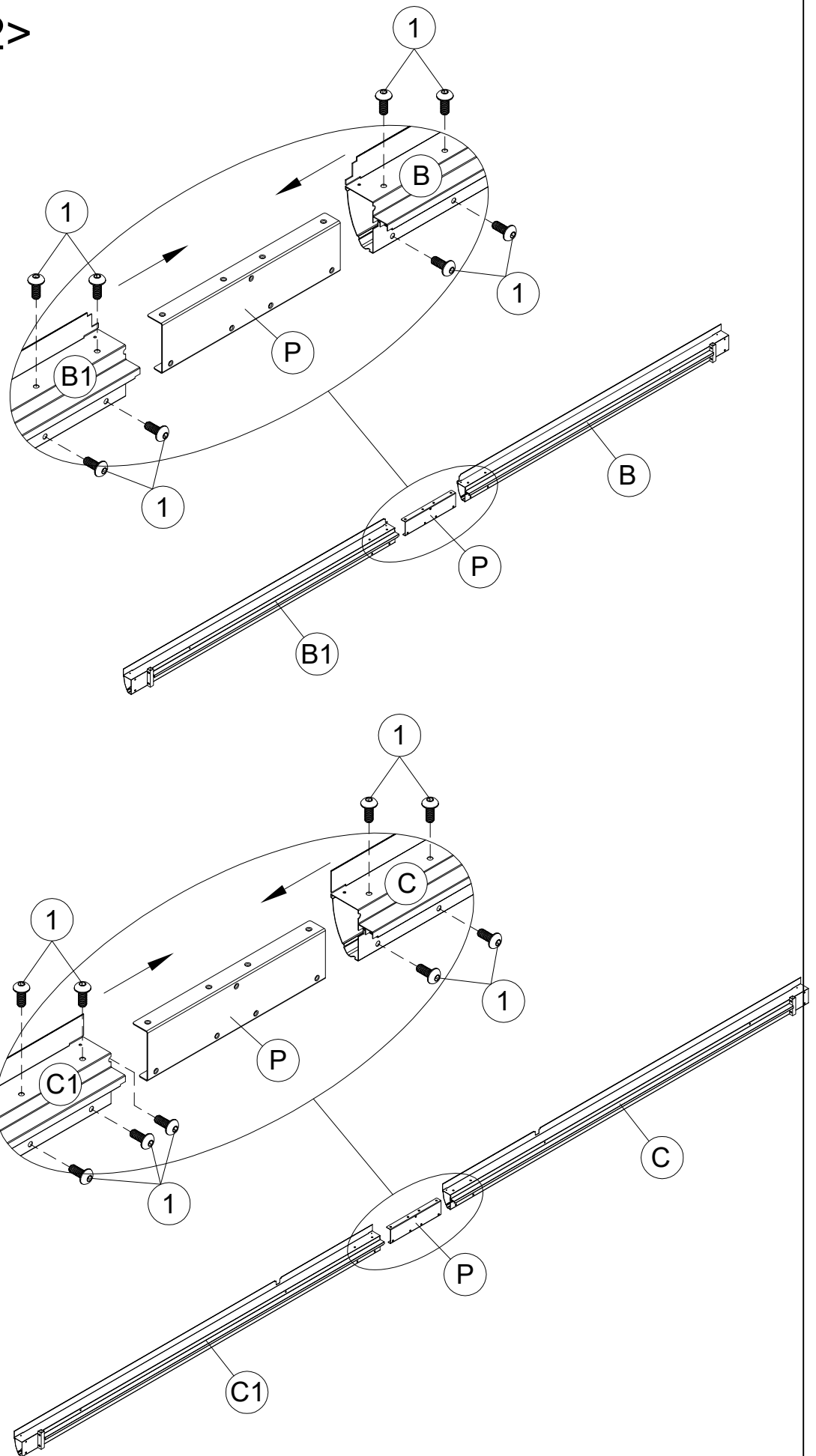


P 4x



1 34x M6x15

5



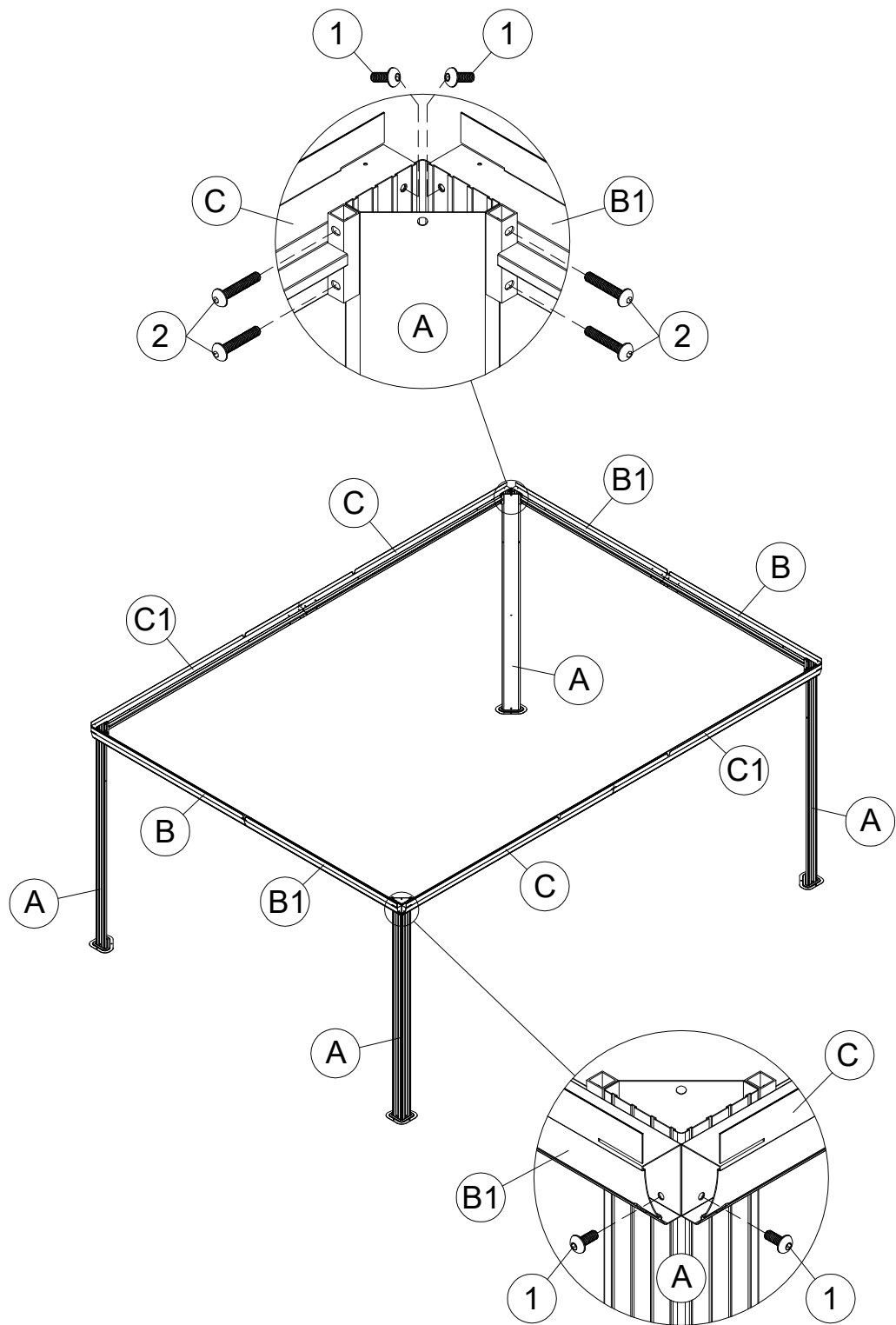


1 M6x15
16x

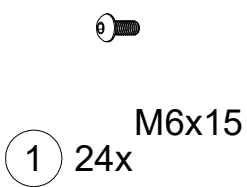
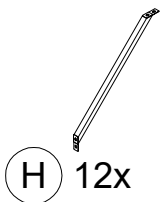


2 M6x35
16x

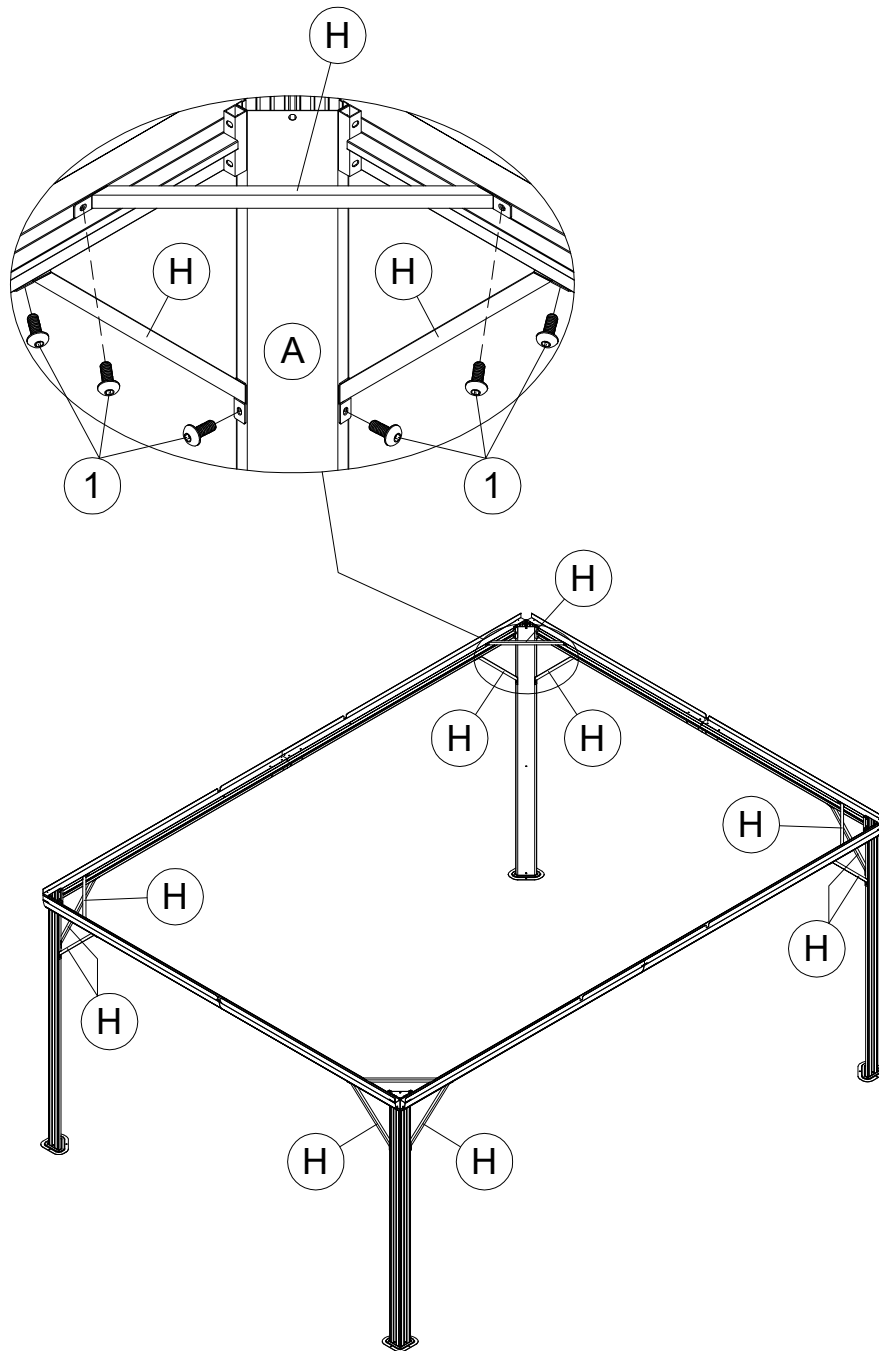
<3>

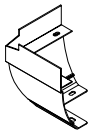


6



<4>





K 4x



K1 4x



U 128x



V 4x



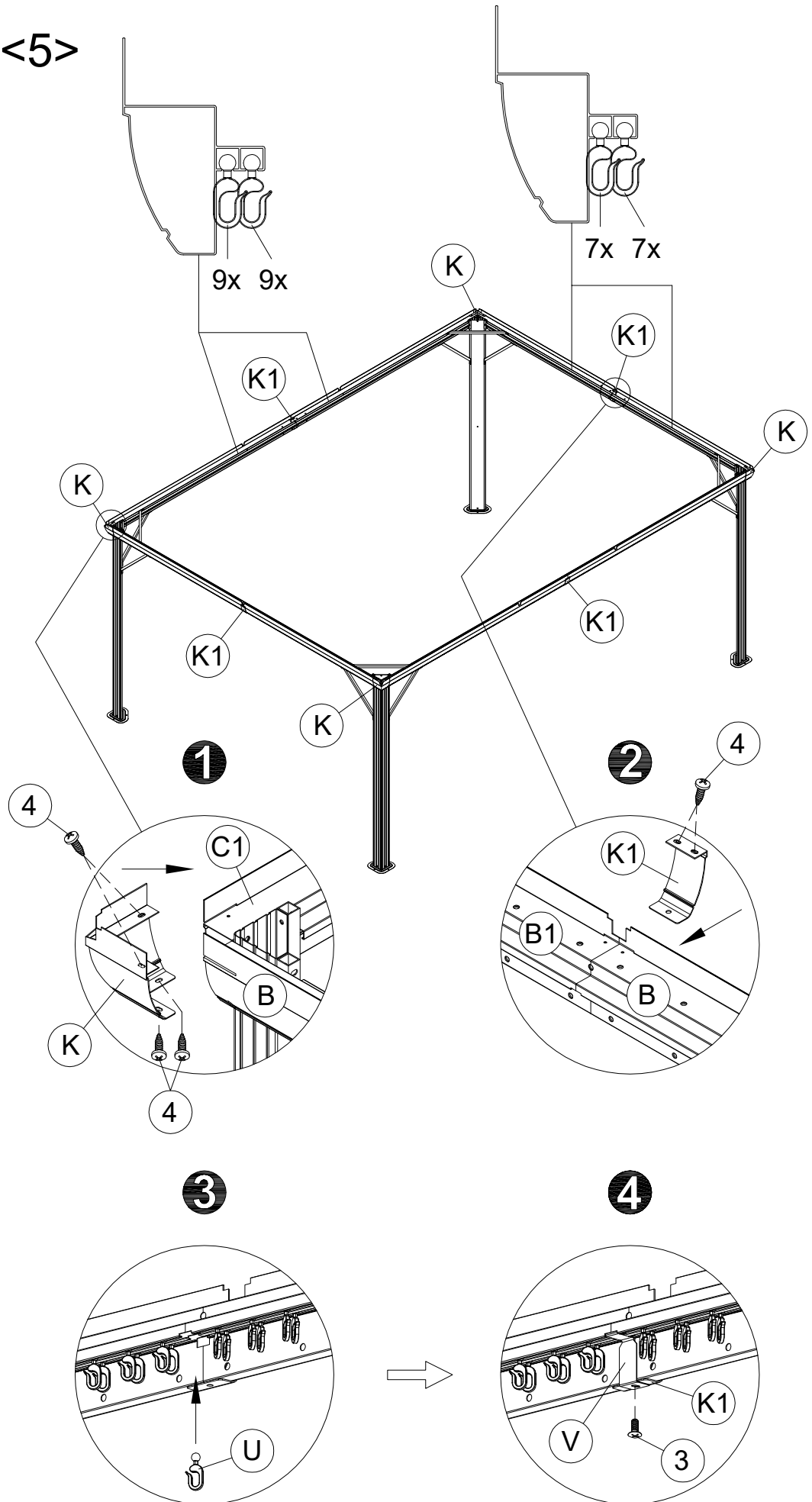
3 4x M5x12



4 24x ST5x12

8

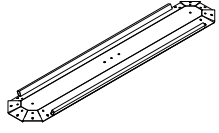
<5>





<6>

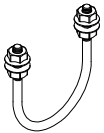
D 4x



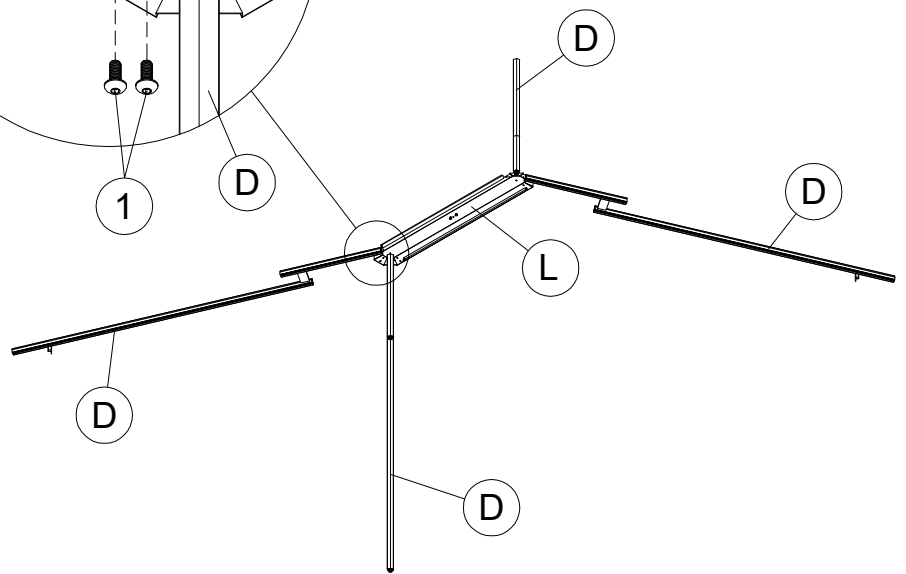
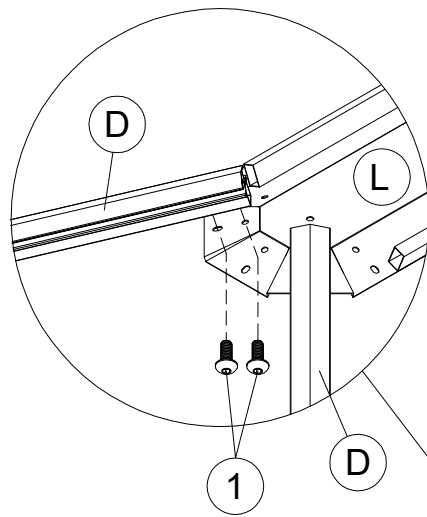
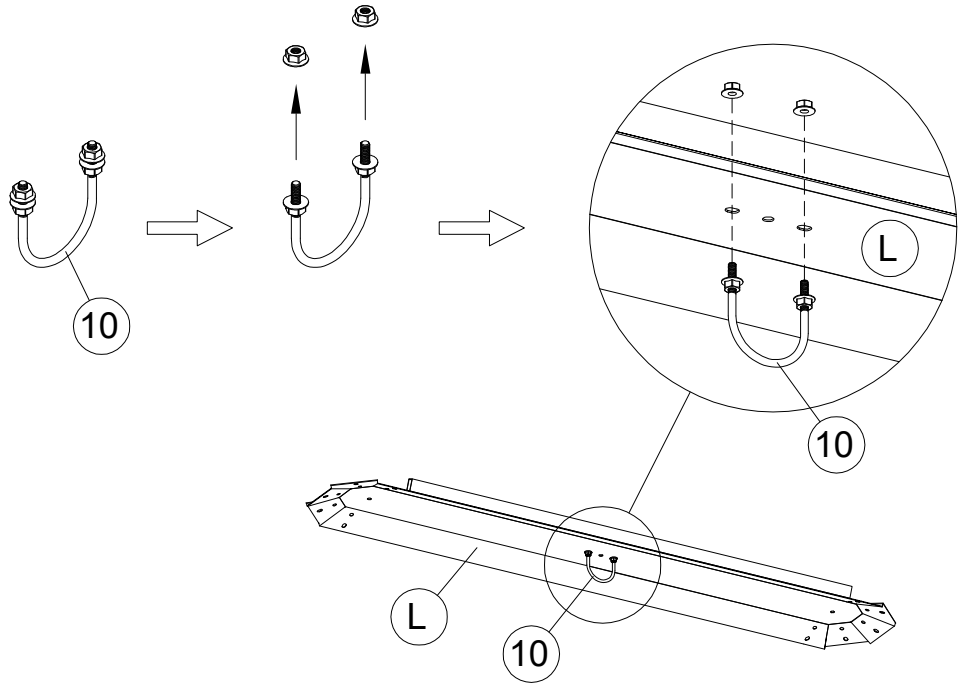
L 1x



1 8x M6x15



10 1x



9

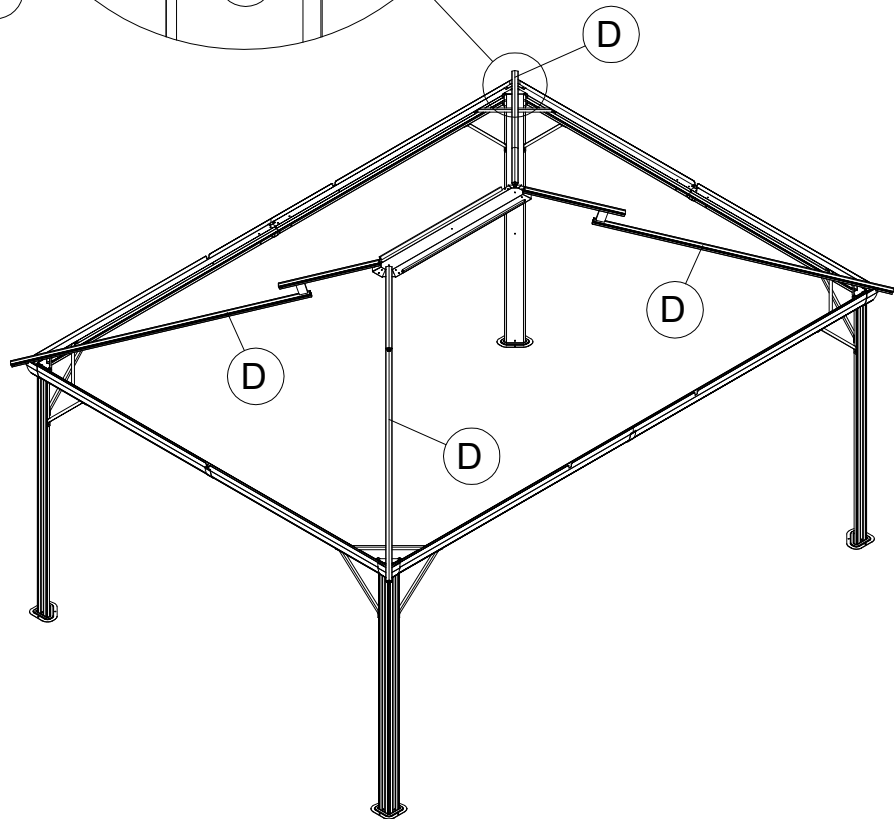
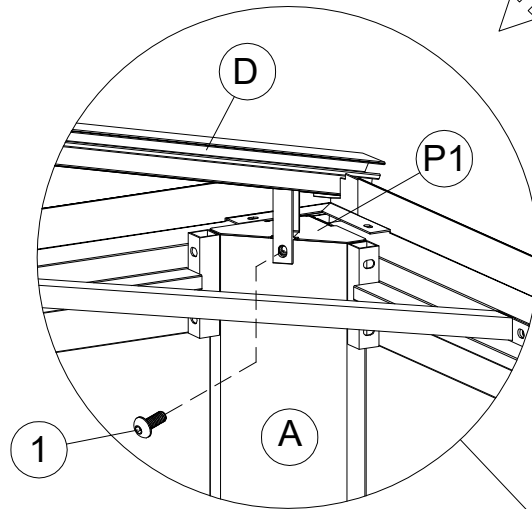
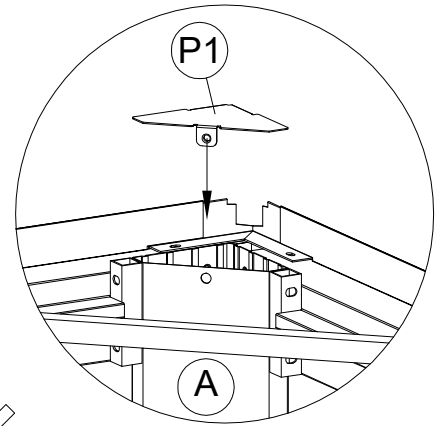


<7>

P1 4x



1 4x M6x15



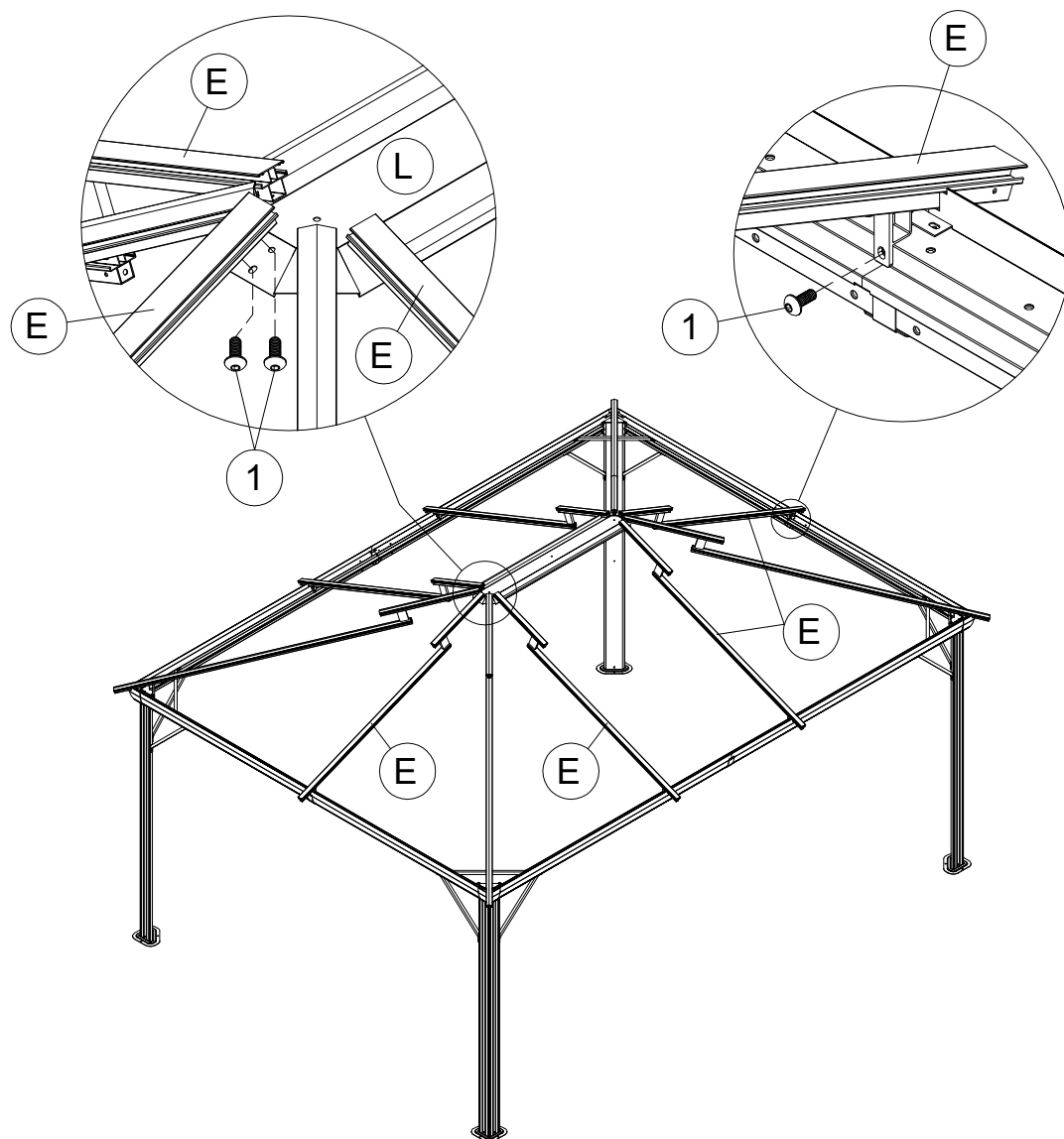


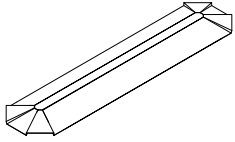
<8>

E 6x



M6x15
1 18x





M 1x

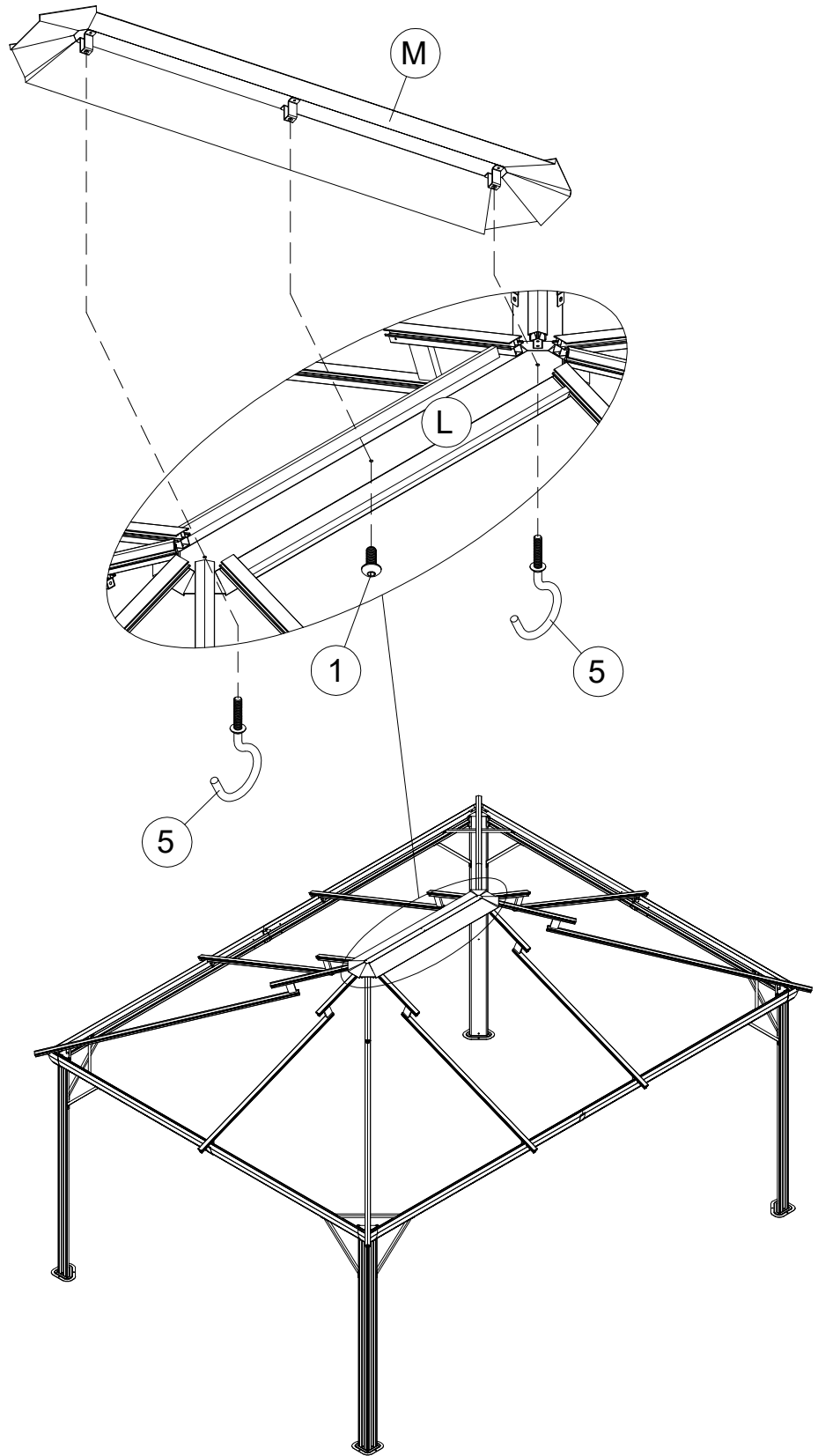


1 1x M6x15

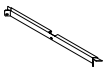


5 2x

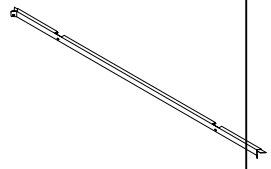
<9>



<10>



G5 2x



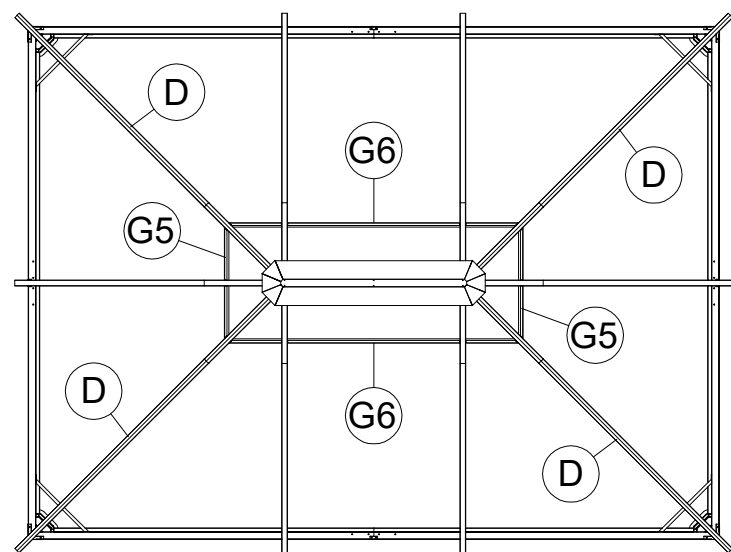
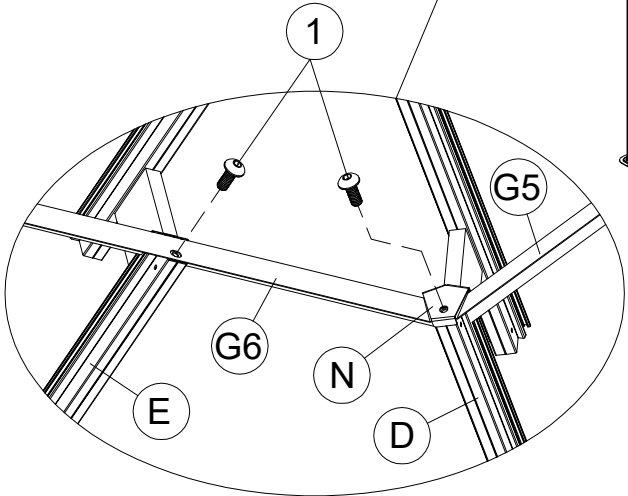
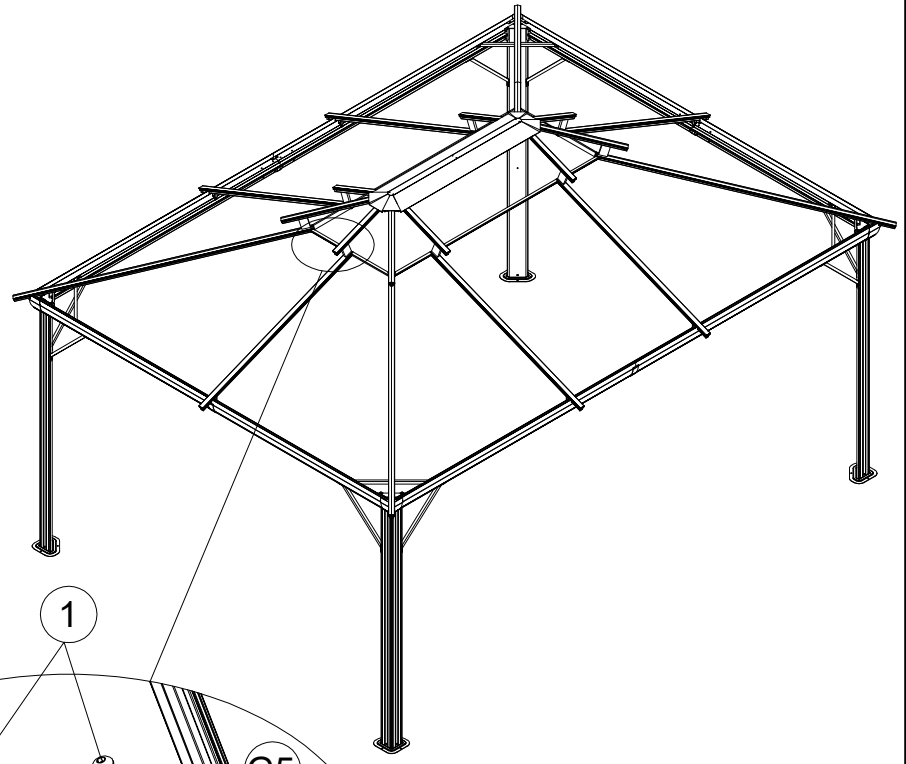
G6 2x



N 4x



1 10x M6x15

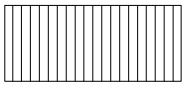




R3 4x

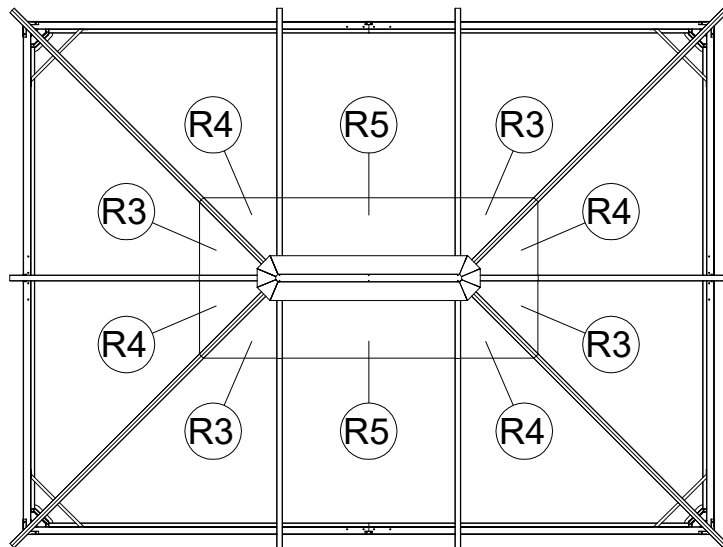
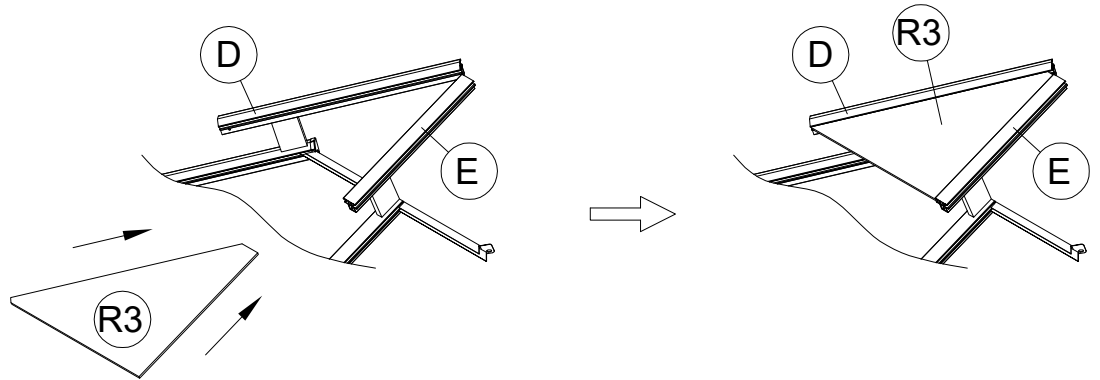
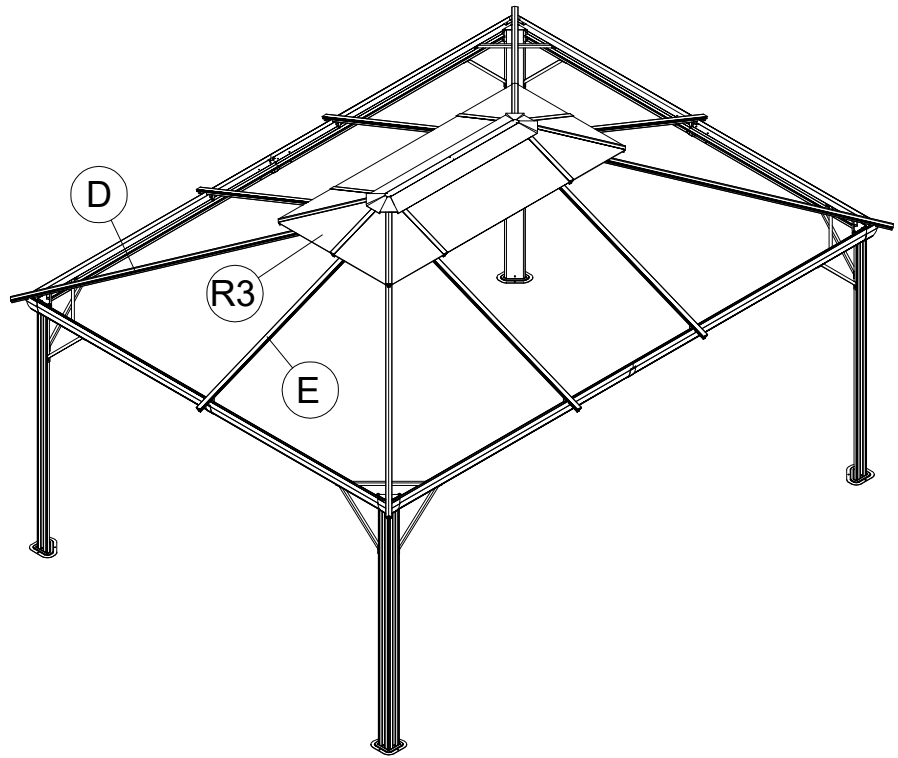


R4 4x

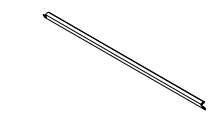


R5 2x

<11>



<12>



G 2x



G3 4x



G4 4x



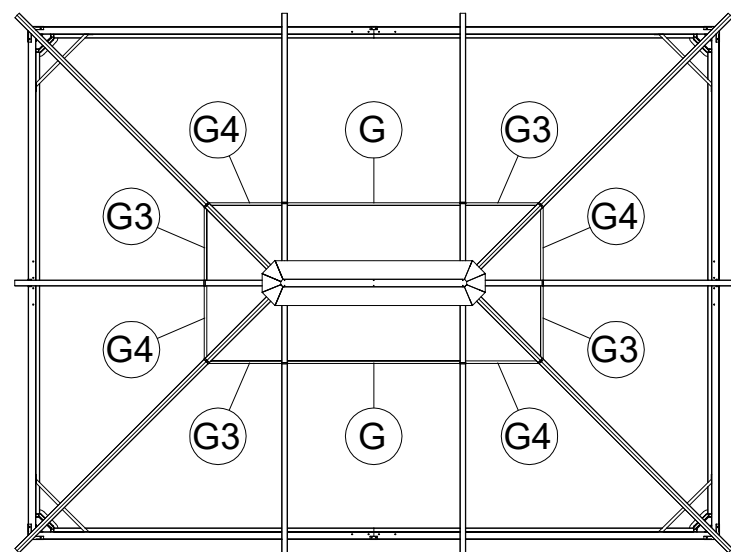
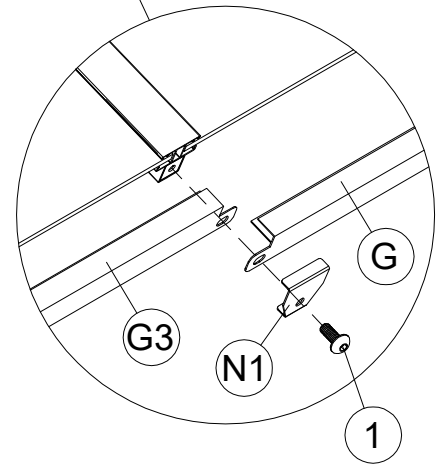
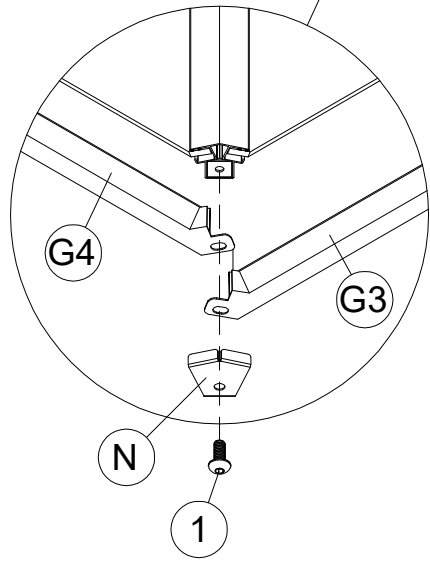
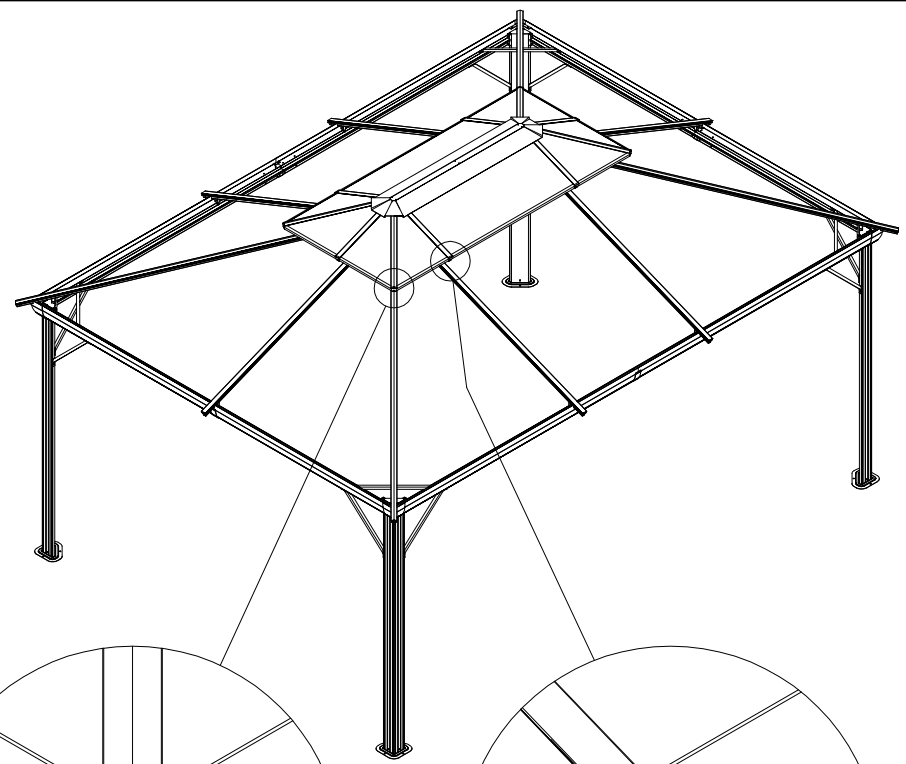
N 4x



N1 6x

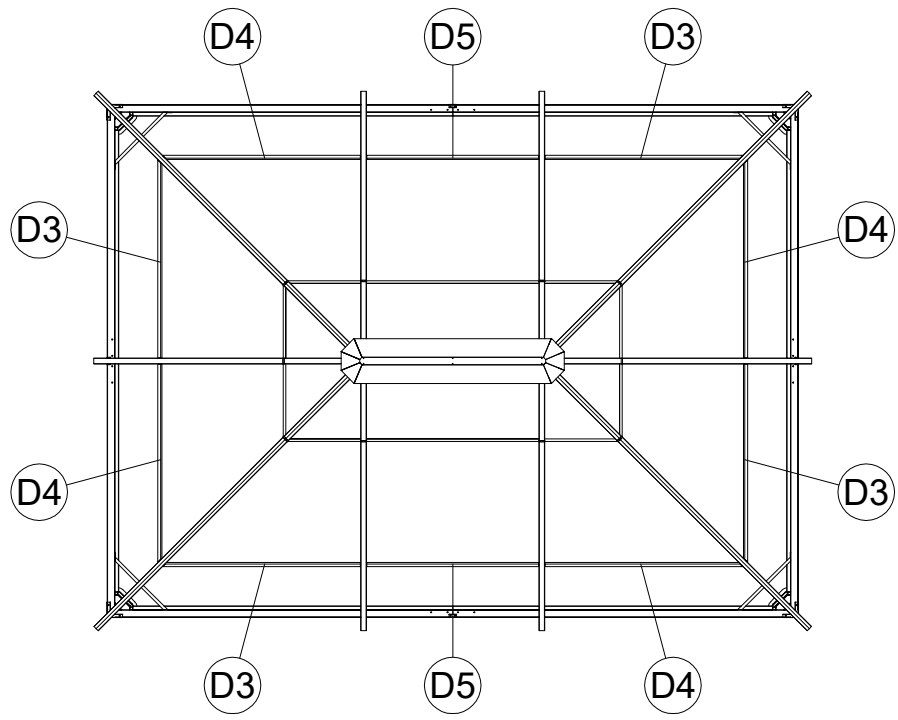
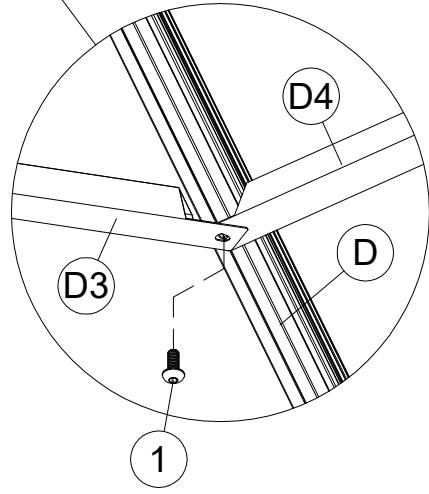
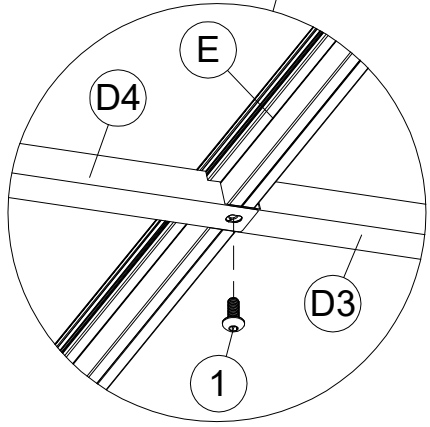
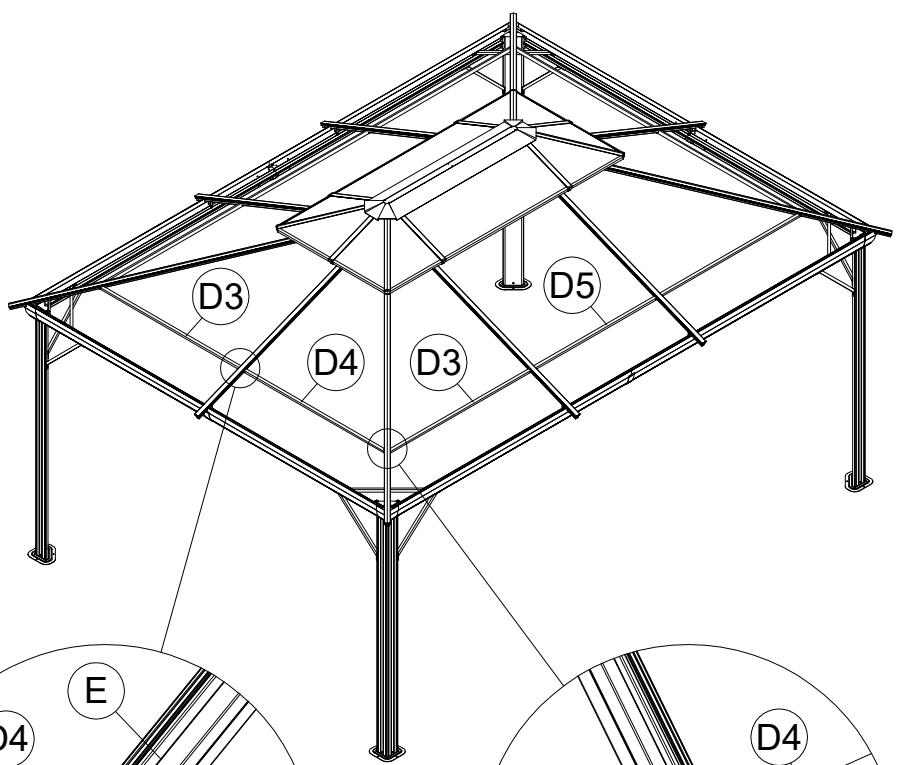
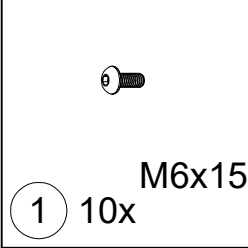
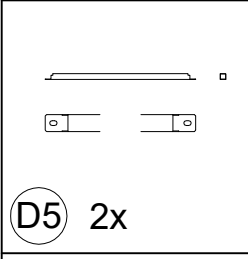
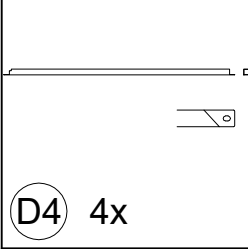
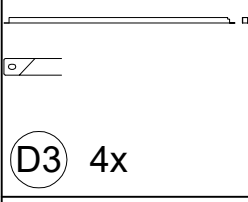


1 10x M6x15

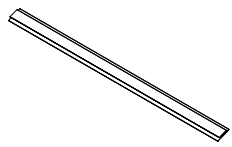


15

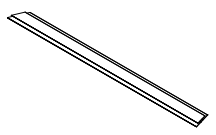
<13>



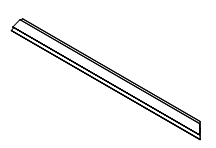
<14>



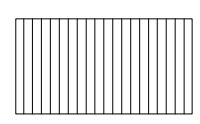
F 2x



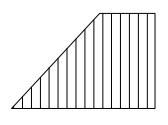
F1 4x



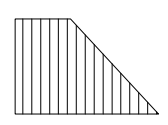
F2 4x



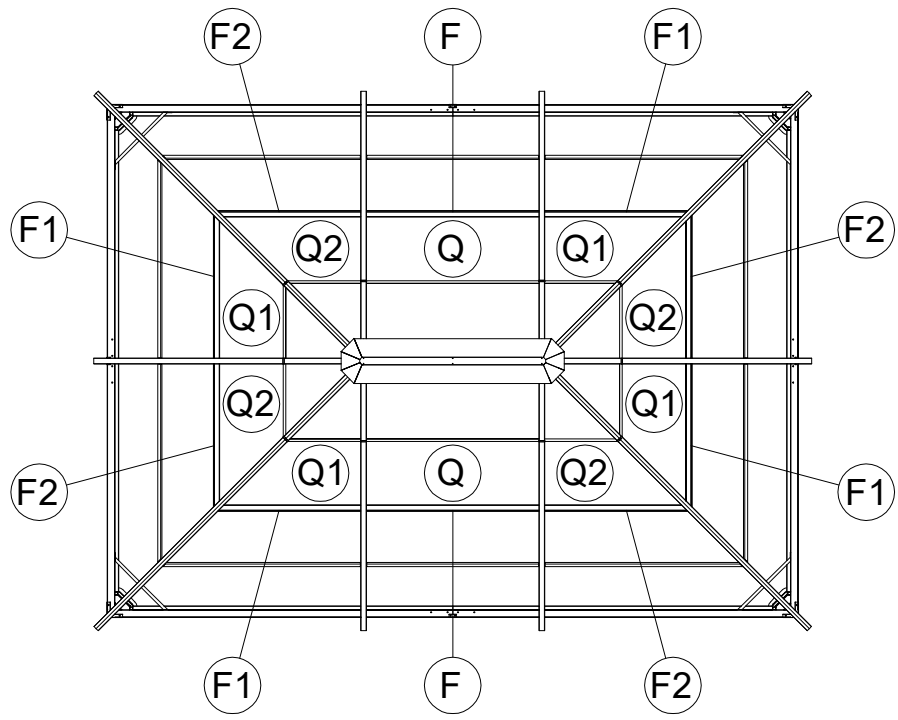
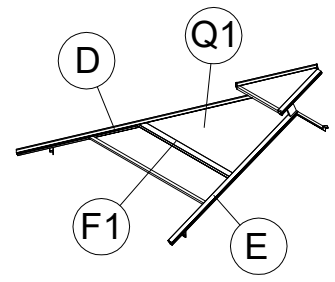
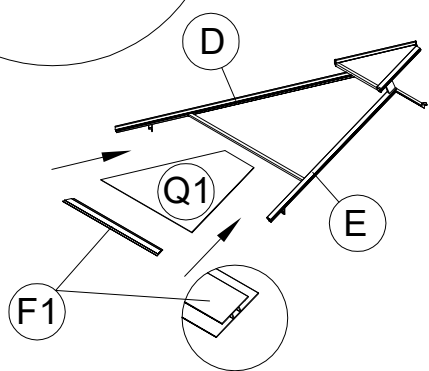
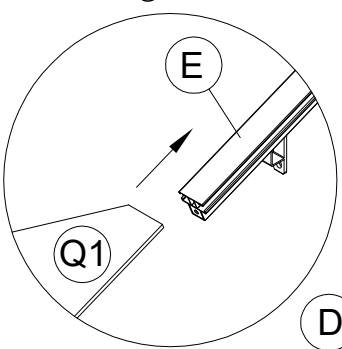
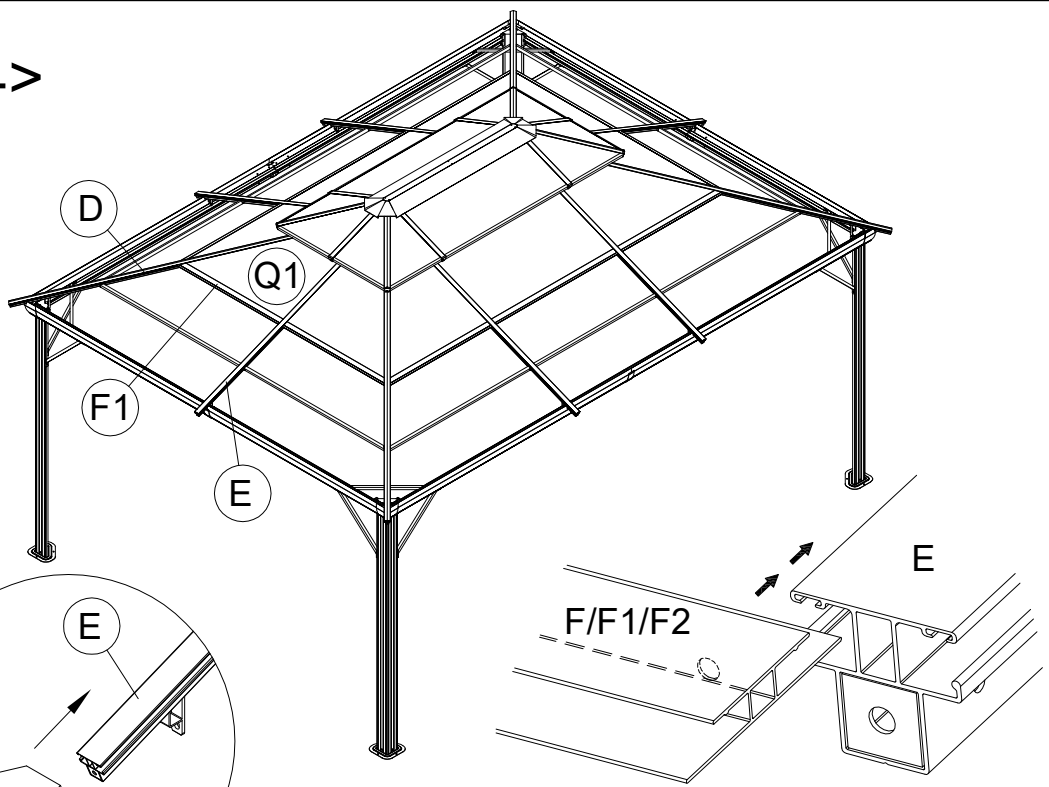
Q 2x



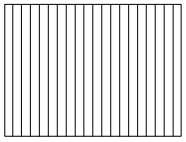
Q1 4x



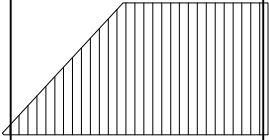
Q2 4x



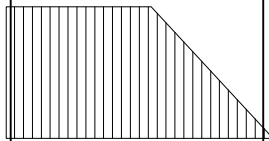
<15>



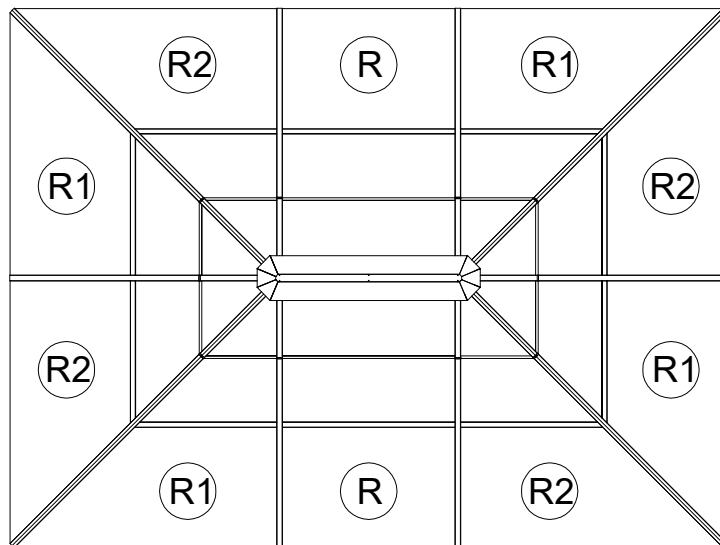
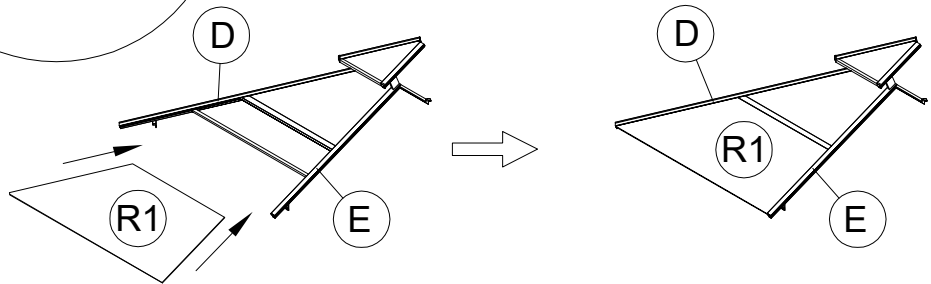
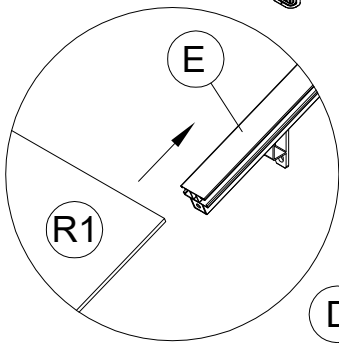
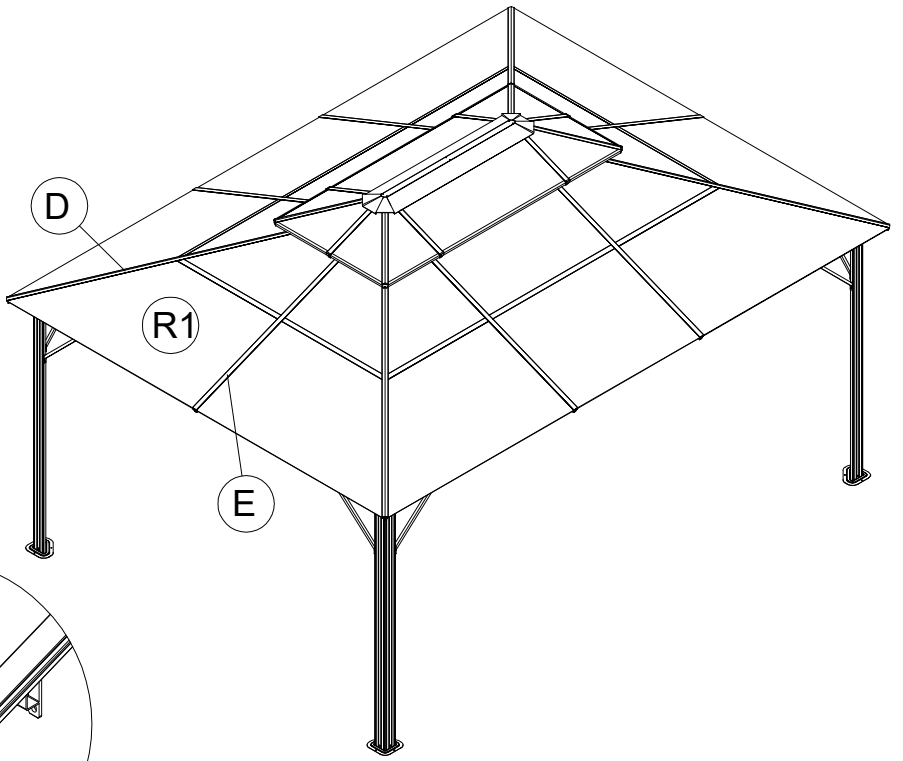
(R) 2x



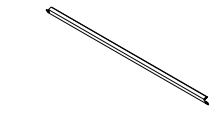
(R1) 4x



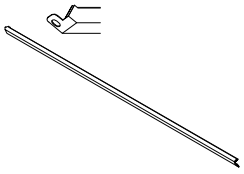
(R2) 4x



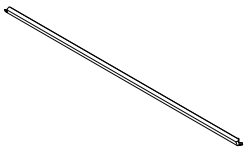
<16>



G 2x



G1 4x



G2 4x



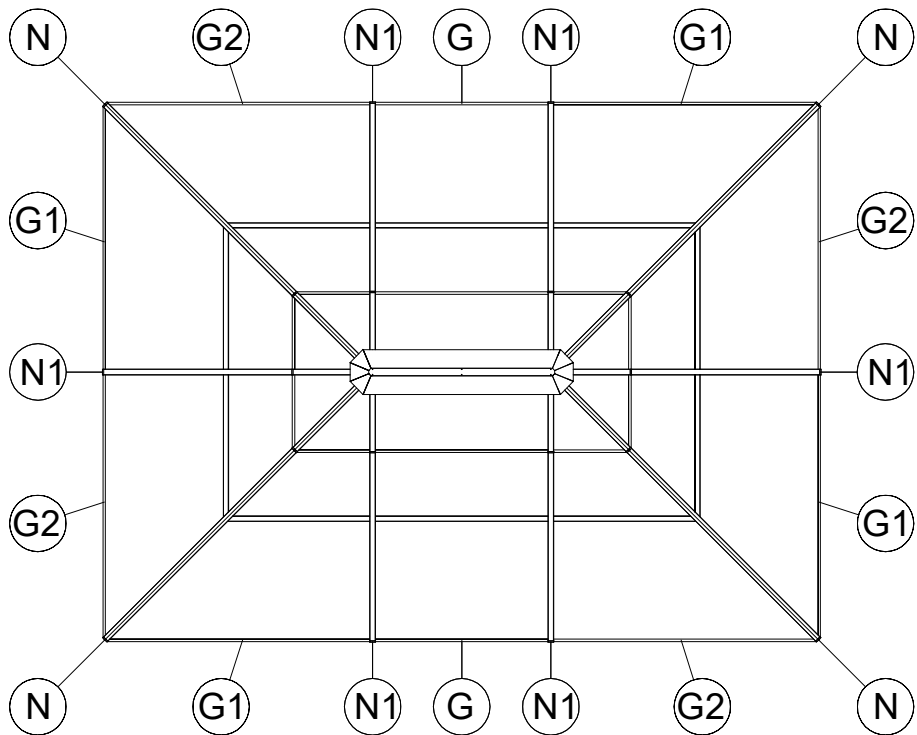
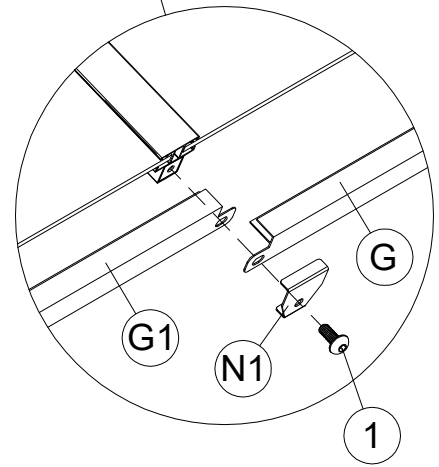
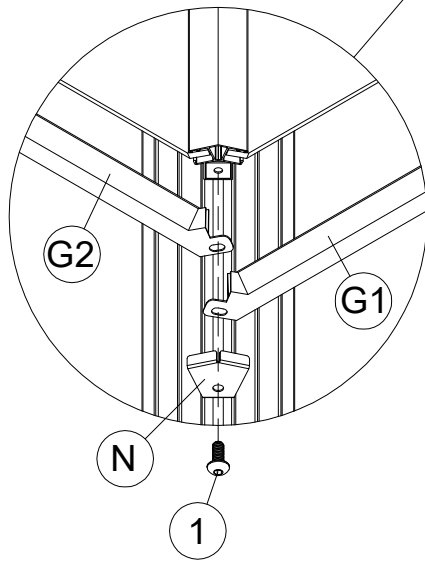
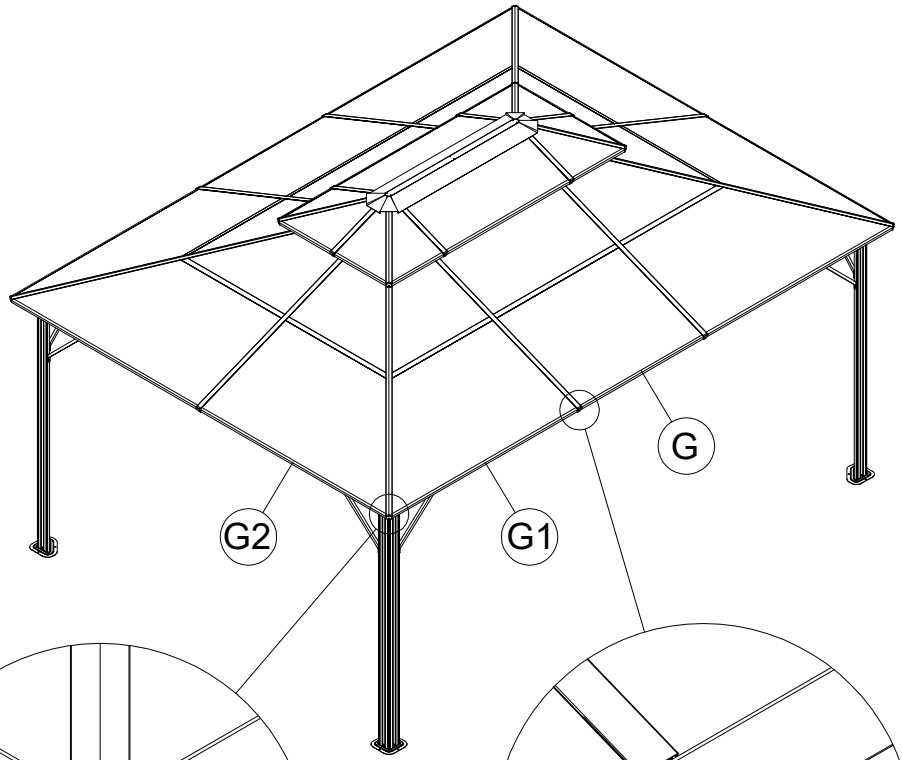
N 4x



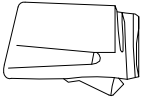
N1 6x



1 10x M6x15

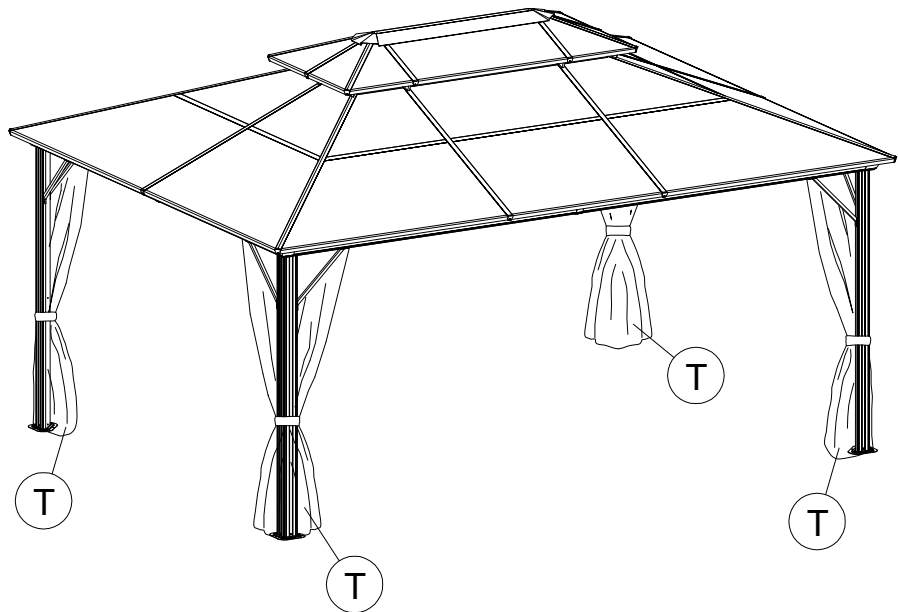
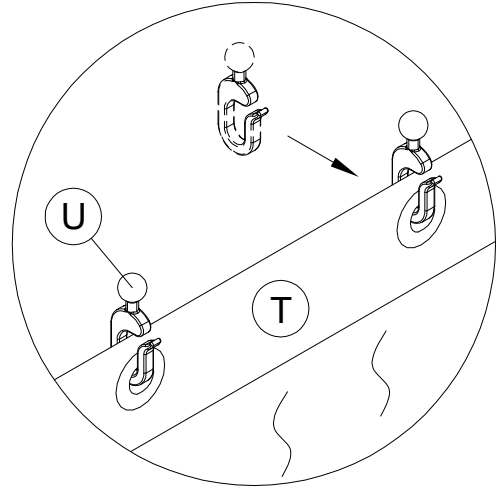
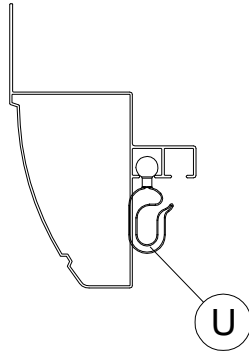


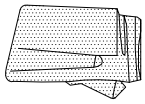
19



<17>

T 4x



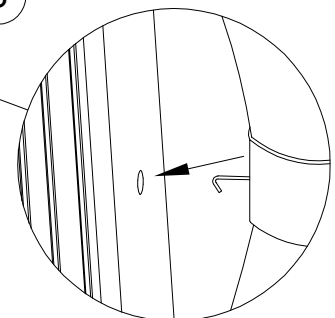
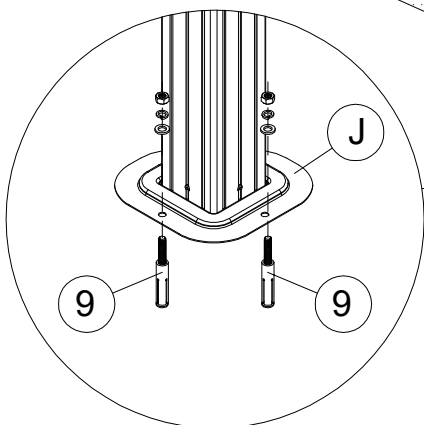
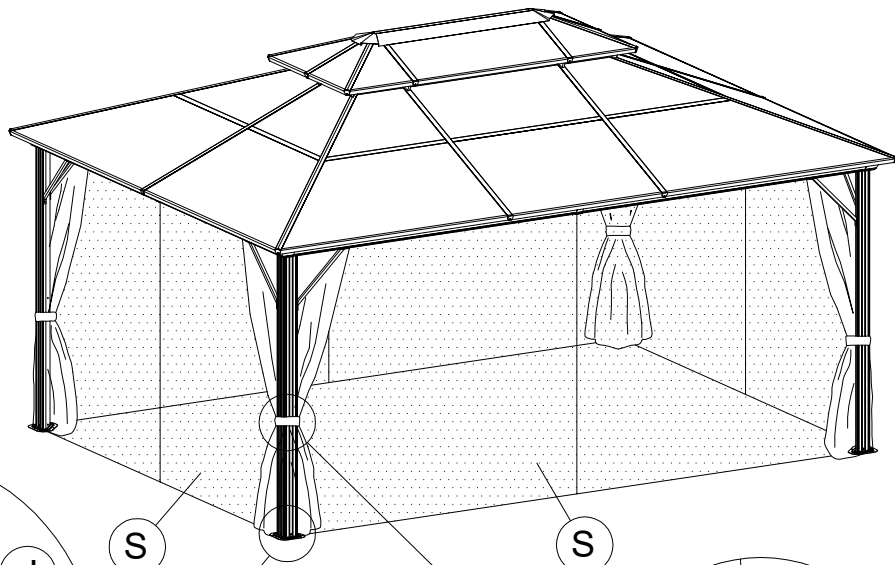
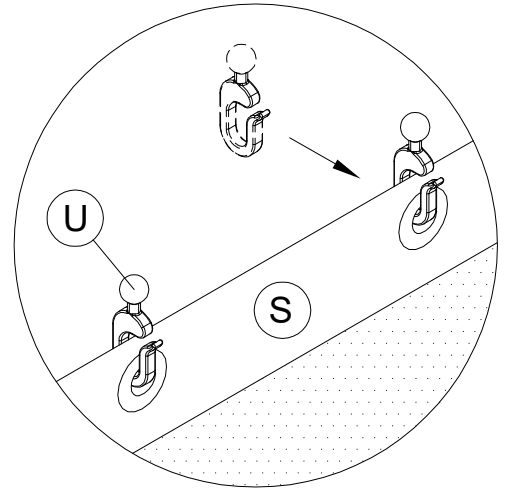
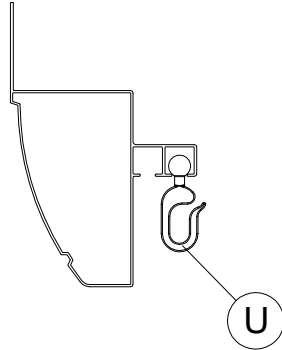


<18>

T1 4x + 1x



9 12x



Carton-1/4		Carton-3/4		Carton-4/4	
Part	Qty	Part	Qty	Part	Qty
A	4	D3	4	Q	2
B	2	D4	4	Q1	4
B1	2	D5	2	Q2	4
		E	6	R	2
		F	2	R1	4
		G	4	R2	4
		G1	4	R3	4
Carton-2/4		G2	4	R4	4
Part	Qty	J	4	R5	2
C	2	L	1		
C1	2	M	1		
D	4				
F1	4				
F2	4				
G3	4				
G4	4				
G5	2				
G6	2				
H	12				
K	4				
K1	4				
P	4				
P1	4				
N.N1.U.V.9.10	1				
S	4				
T	4				
1.2.3.4.5	1				