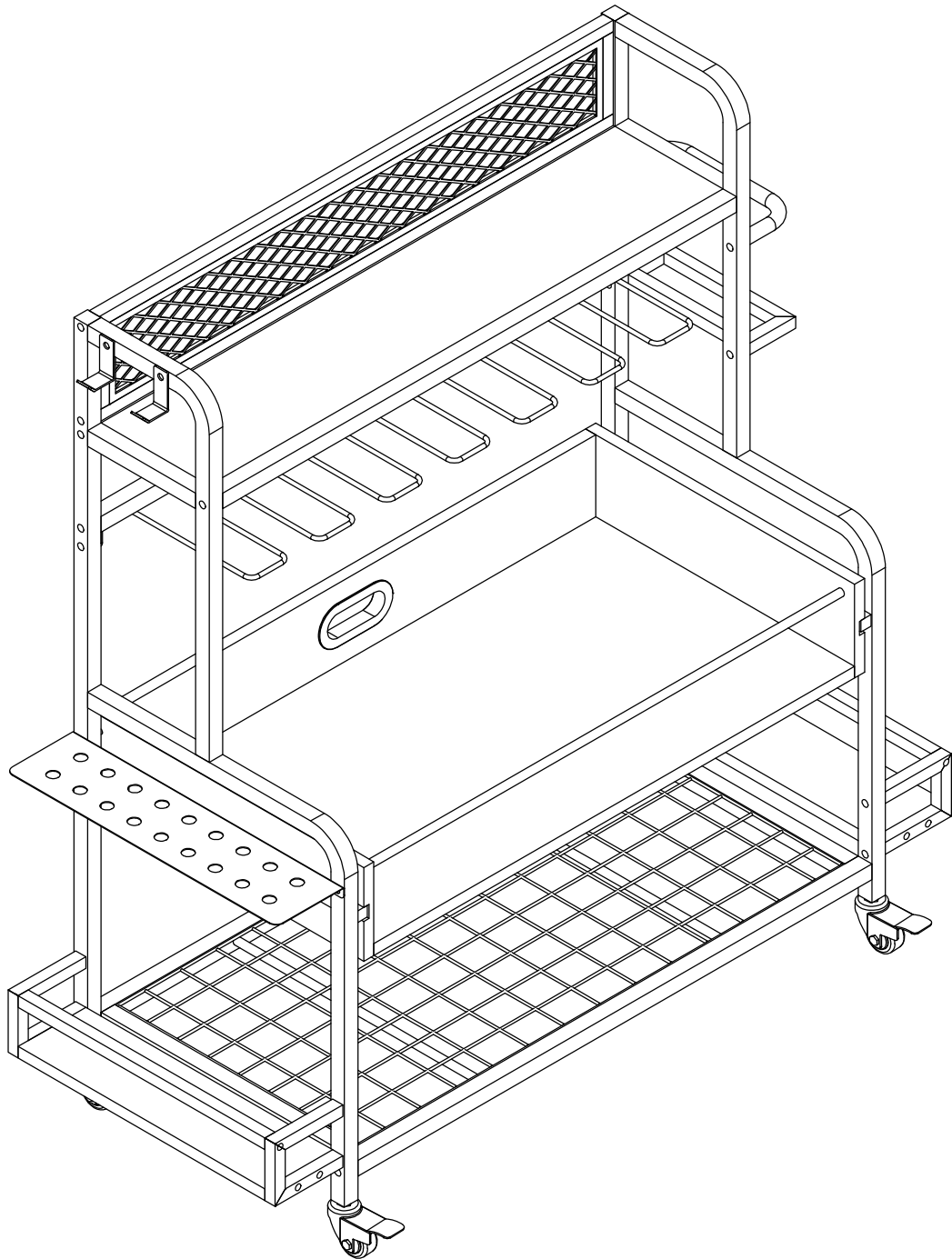


# ASSEMBLY INSTRUCTIONS

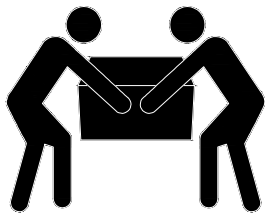
FTHKSG-7001



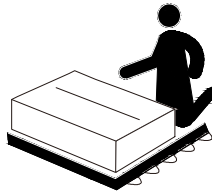
# ASSEMBLY INSTRUCTIONS

## Notice:

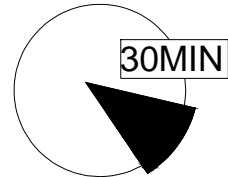
1. Follow the installation instructions. Please confirm all accessories are present before installation.
2. Do not fully tighten the screws during initial assembly. Fully tighten screws only once all pieces which are correctly assembled.
3. If you encounter any problems during installation, please contact our customer service.
4. Please unbox the item from the side with an open-label and put a carpet on the floor to avoid scratching it.





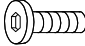





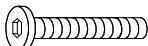




Recommended installers : 2



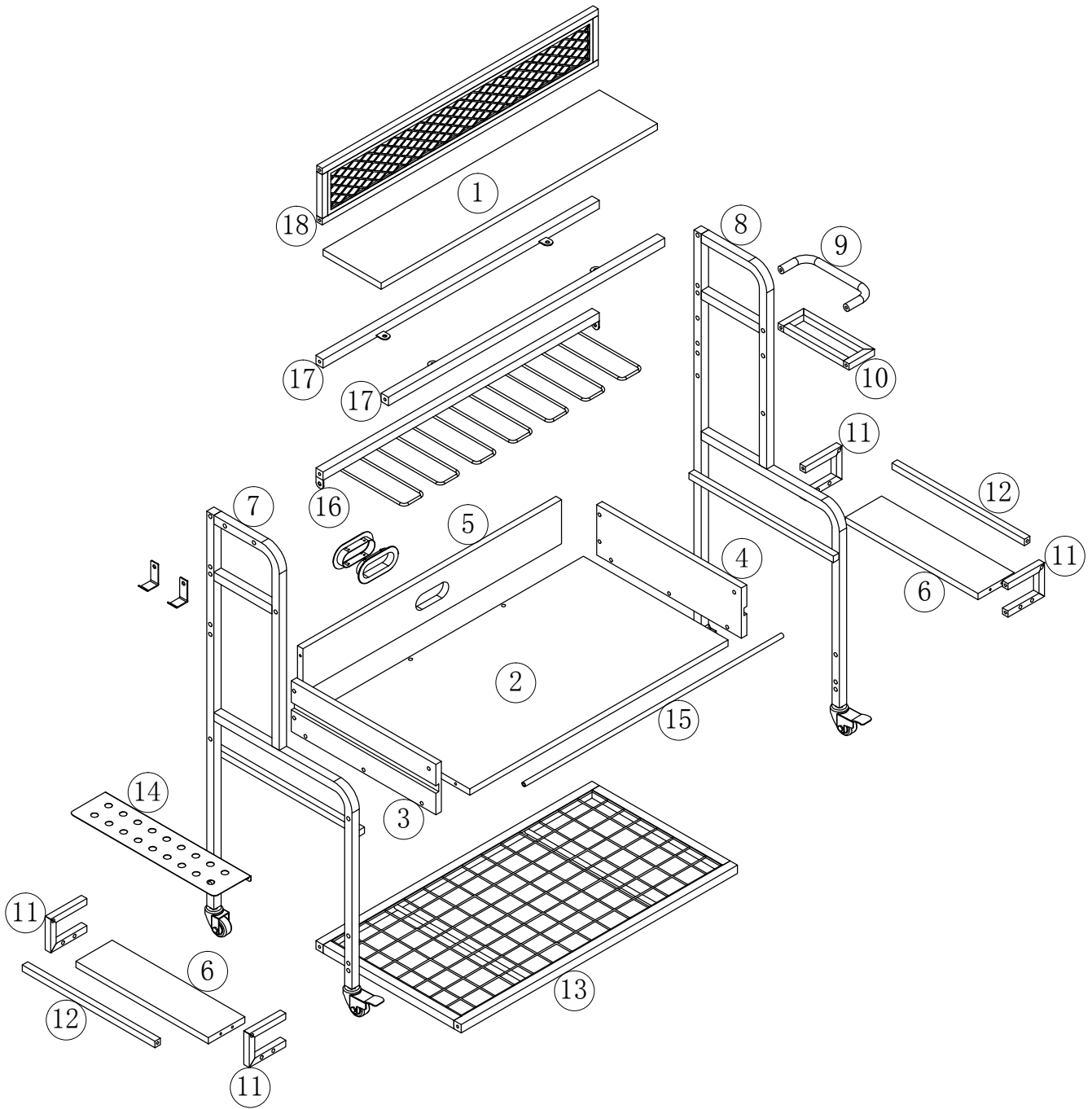
Put a carpet on the floor before unpacking

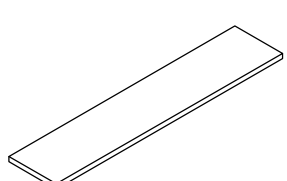
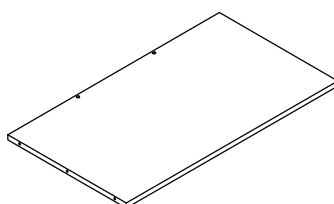
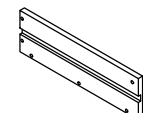


Estimate installation time:  
30 minutes

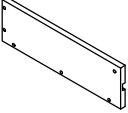
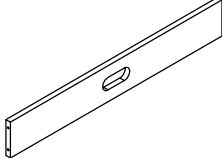

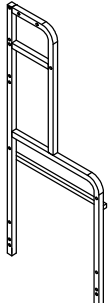
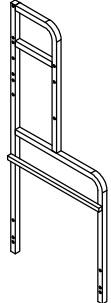
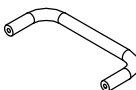
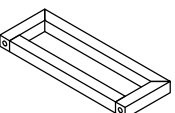
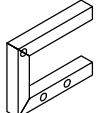
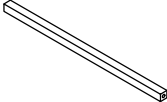
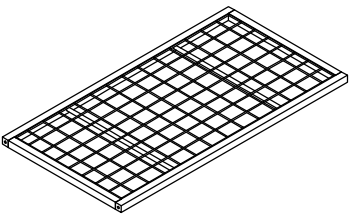
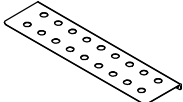
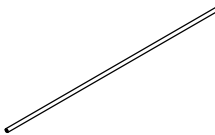
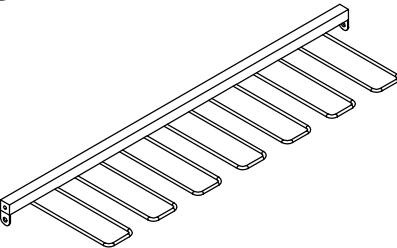
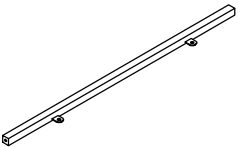
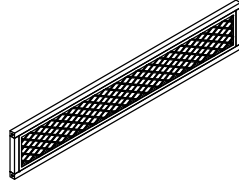
Item no.	Reference Image	Qty	Item no.	Reference Image	Qty
(A)	 M6*10mm	4	(F)	 L	2
(B)	 M6*20mm	6	(G)	 X2  X2	1
(C)	 M6	6	(H)	 	1
(D)	 M6*40mm	30	(I)	 M6*40mm	
(E)	 ST7*40mm	16		 	1

# ASSEMBLY INSTRUCTIONS



<p>①</p>  <p>X1</p>	<p>②</p>  <p>3</p>	<p>③</p>  <p>X1</p>
--	---	--

# ASSEMBLY INSTRUCTIONS

<p>④</p>  <p>X1</p>	<p>⑤</p>  <p>X1</p>	<p>⑥</p>  <p>X2</p>
<p>⑦</p>  <p>X1</p>	<p>⑧</p>  <p>X1</p>	<p>⑨</p>  <p>X1</p>
<p>⑩</p>  <p>X1</p>	<p>⑪</p>  <p>X4</p>	<p>⑫</p>  <p>X2</p>
<p>⑬</p>  <p>X1</p>	<p>⑭</p>  <p>X1</p>	<p>⑮</p>  <p>X1</p>
<p>⑯</p>  <p>X1</p>	<p>⑰</p>  <p>X2</p>	<p>⑱</p>  <p>X1</p>

# ASSEMBLY INSTRUCTIONS

**1**

(7) 1pcs

(8) 1pcs

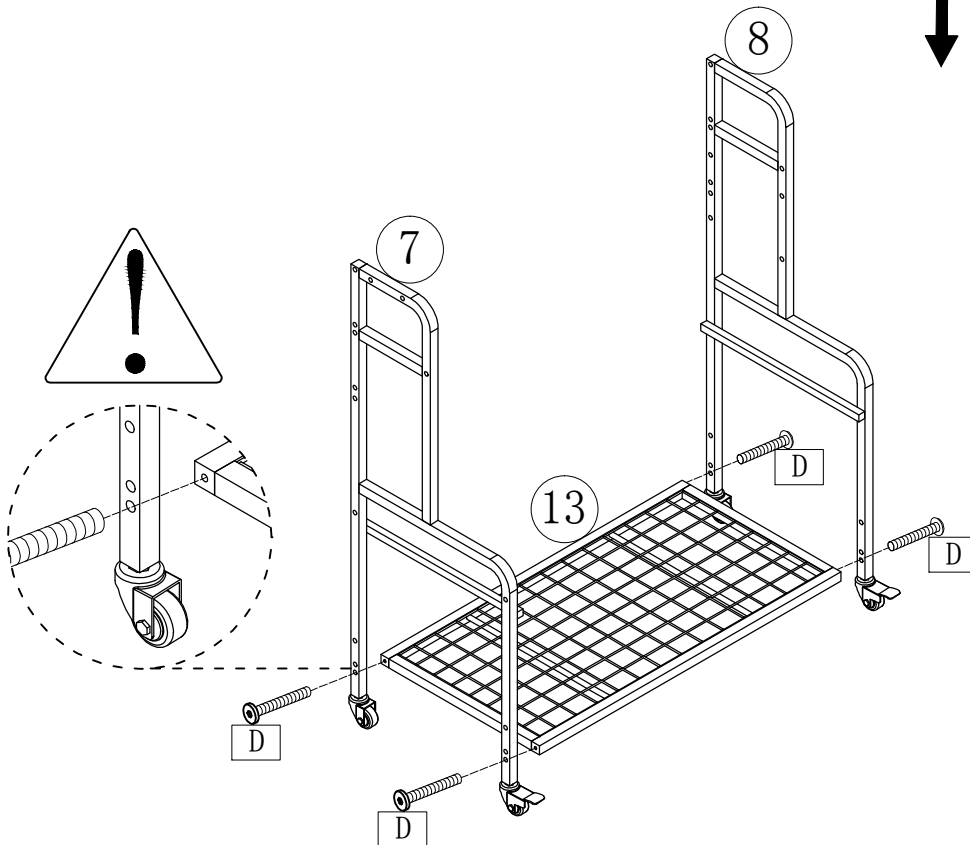
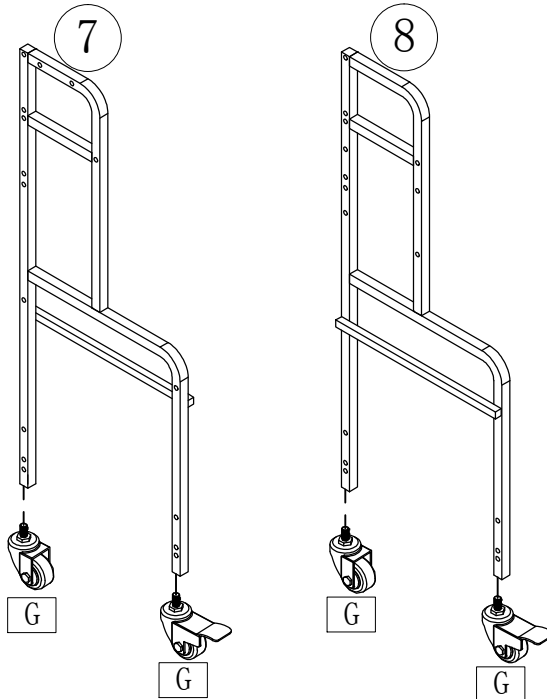
(13) 1pcs

(G) 2pcs

(G) 2pcs

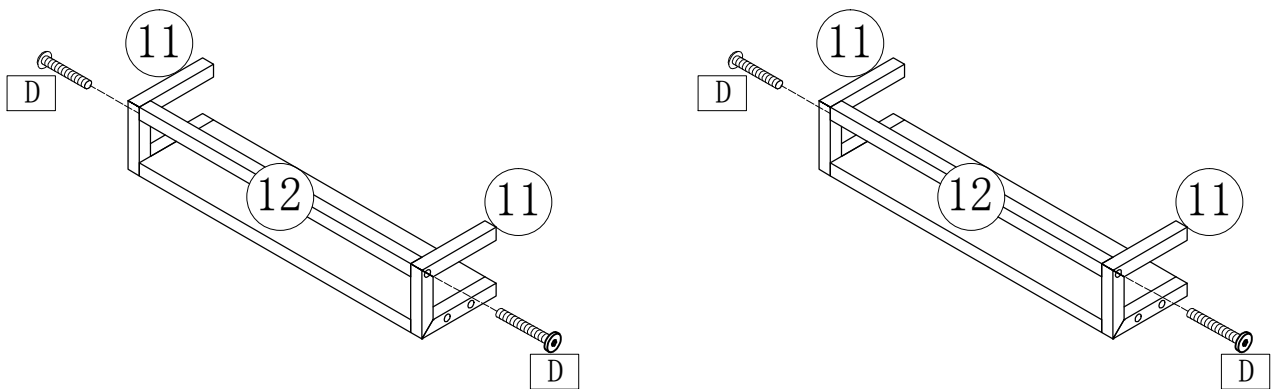
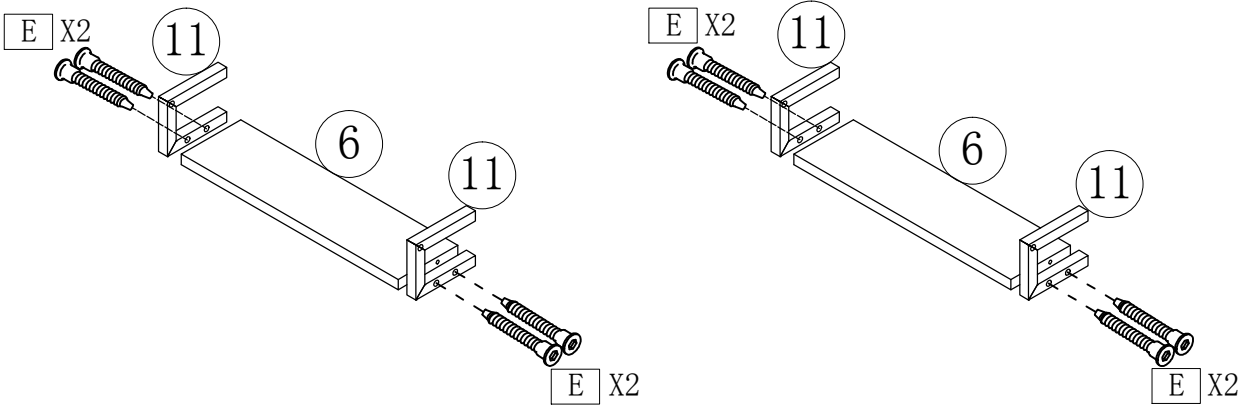
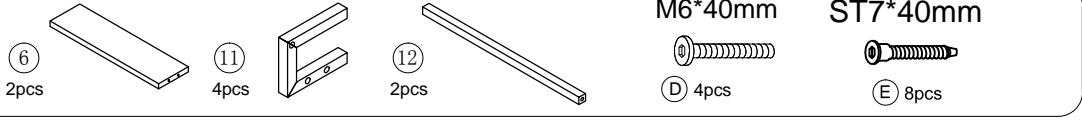
M6\*40mm

(D) 4pcs



# ASSEMBLY INSTRUCTIONS

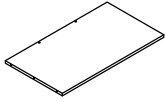
2



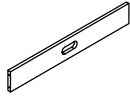
# ASSEMBLY INSTRUCTIONS

3

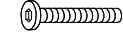
2  
1pcs



5  
1pcs

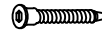


M6\*40mm

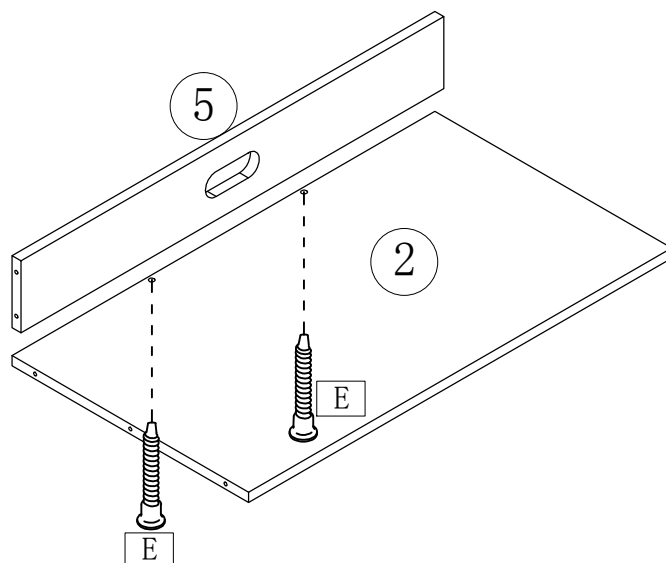
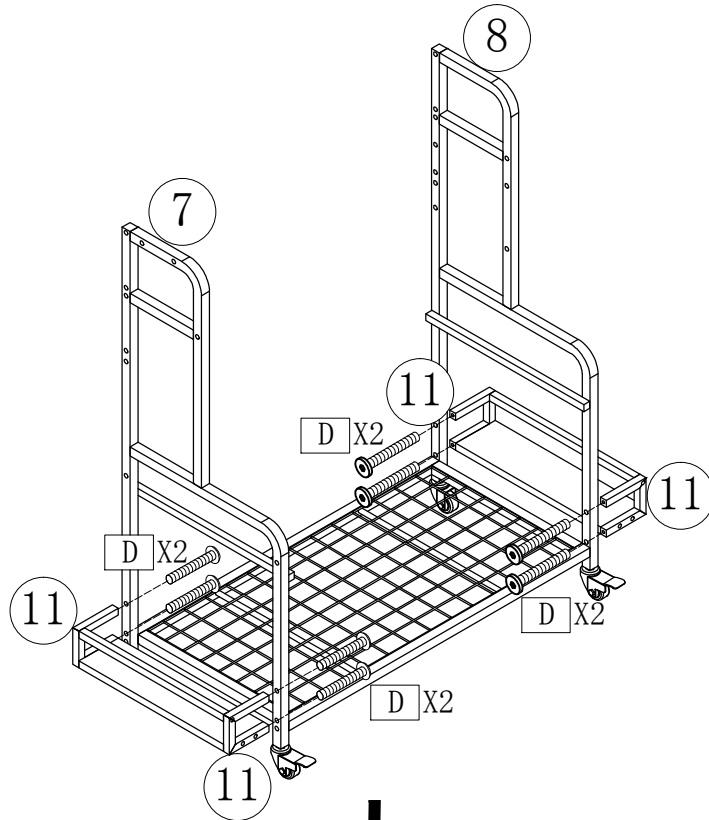


D 8pcs

ST7\*40mm

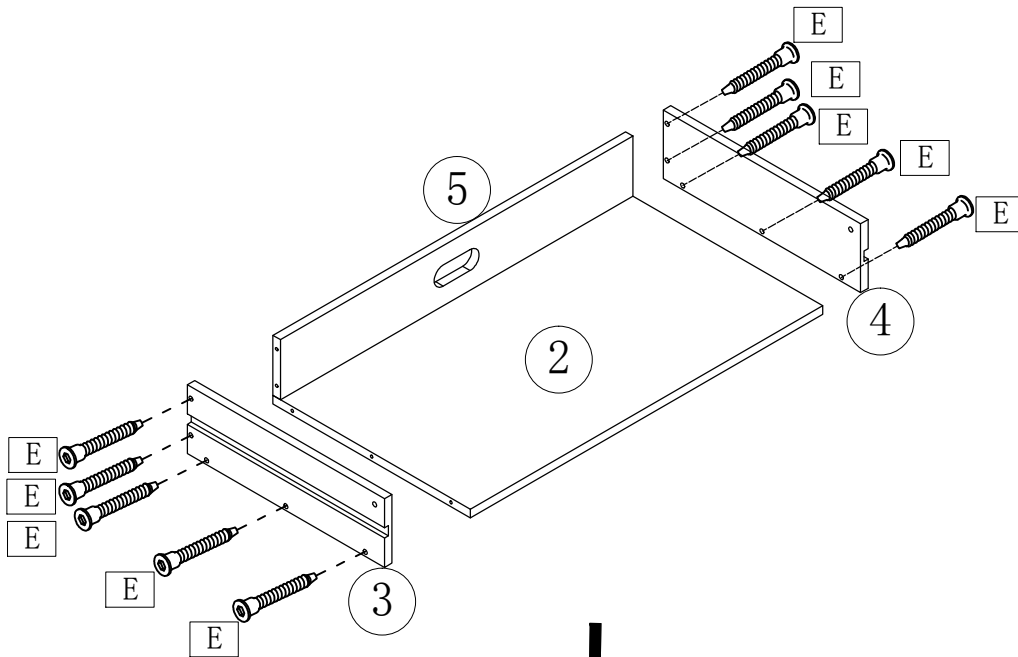
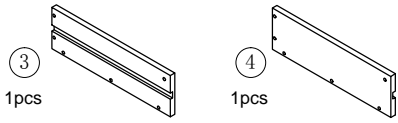


E 2pcs

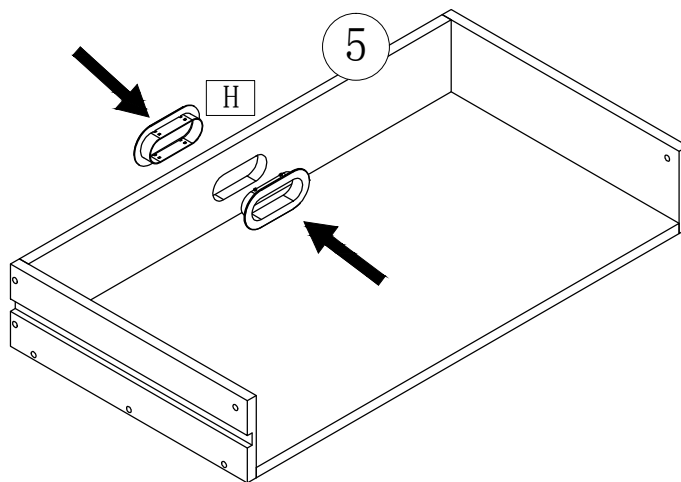
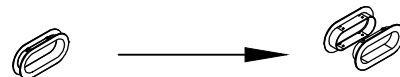


# ASSEMBLY INSTRUCTIONS

4



We need to divide accessory I into two.

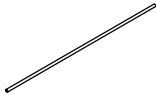




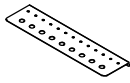
# ASSEMBLY INSTRUCTIONS

5

15  
1pcs



14  
1pcs



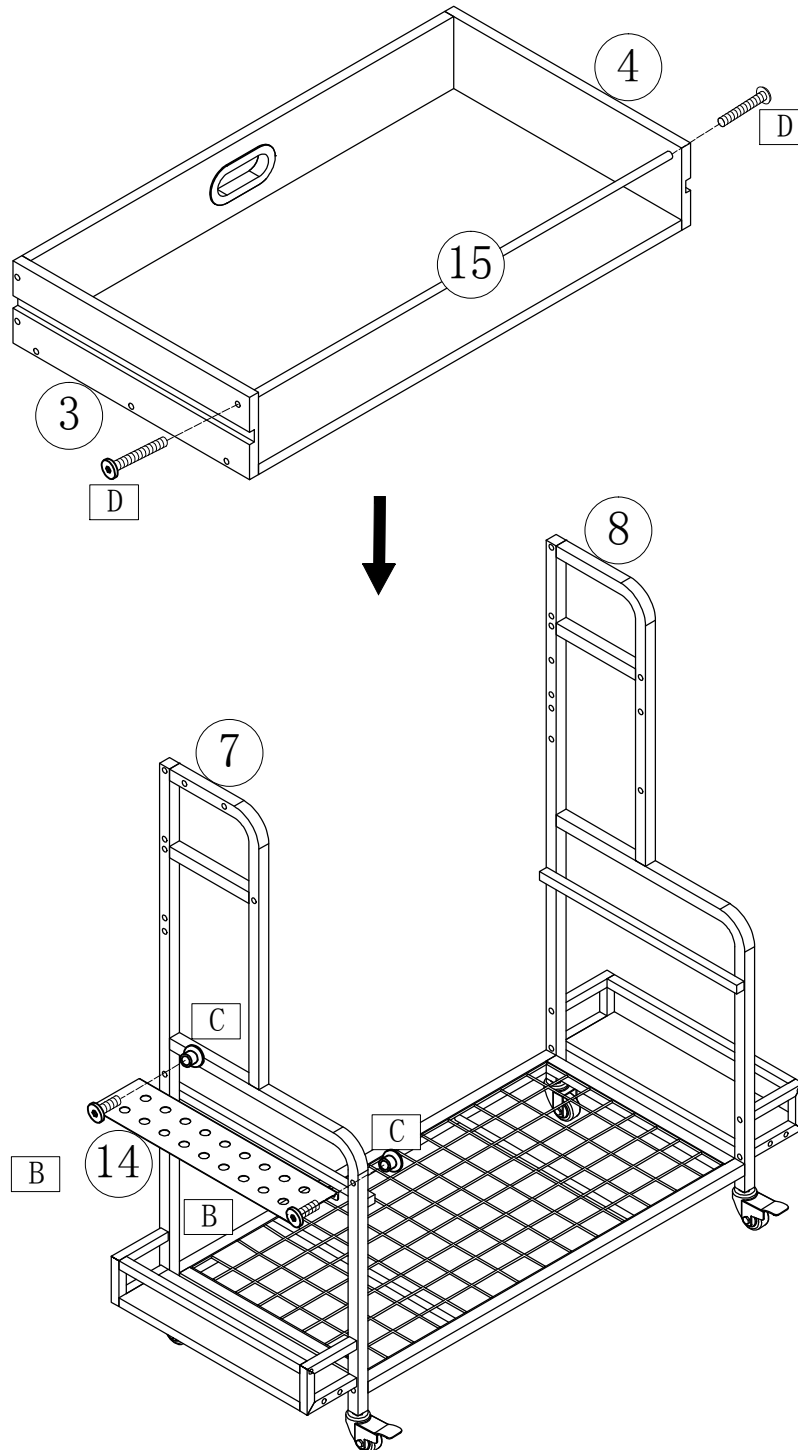
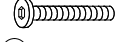
M6  
C 2pcs



M6\*20mm  
B 2pcs



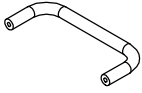
M6\*40mm  
D 2pcs



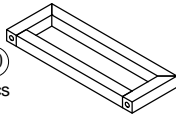
# ASSEMBLY INSTRUCTIONS

6

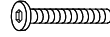
9  
1pcs



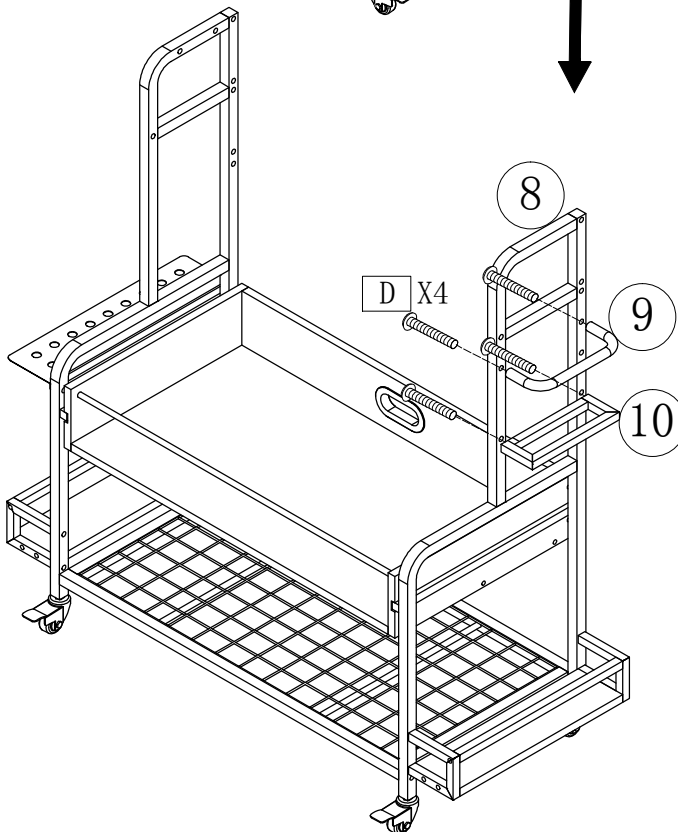
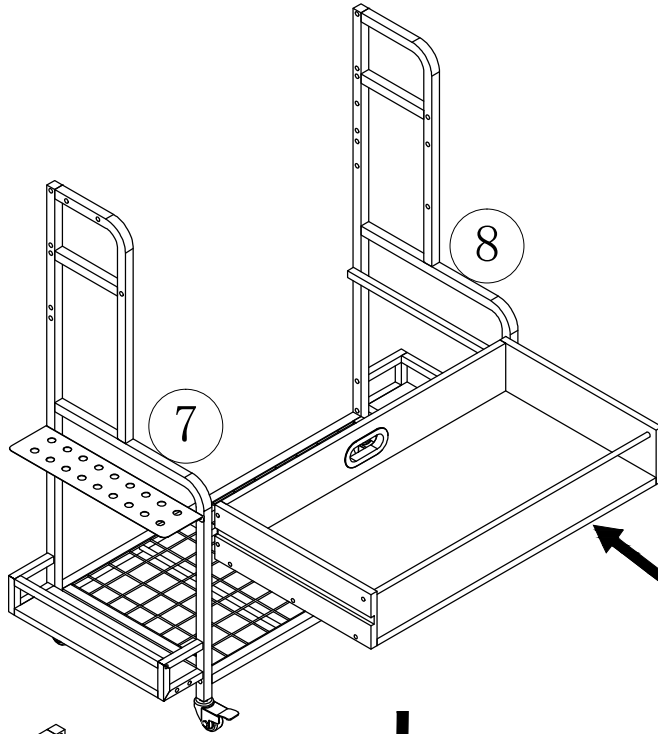
10  
1pcs



M6\*40mm



D 4pcs



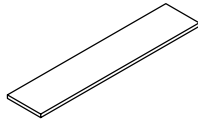
# ASSEMBLY INSTRUCTIONS

8

17  
2pcs



1  
1pcs

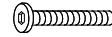


M6\*10mm

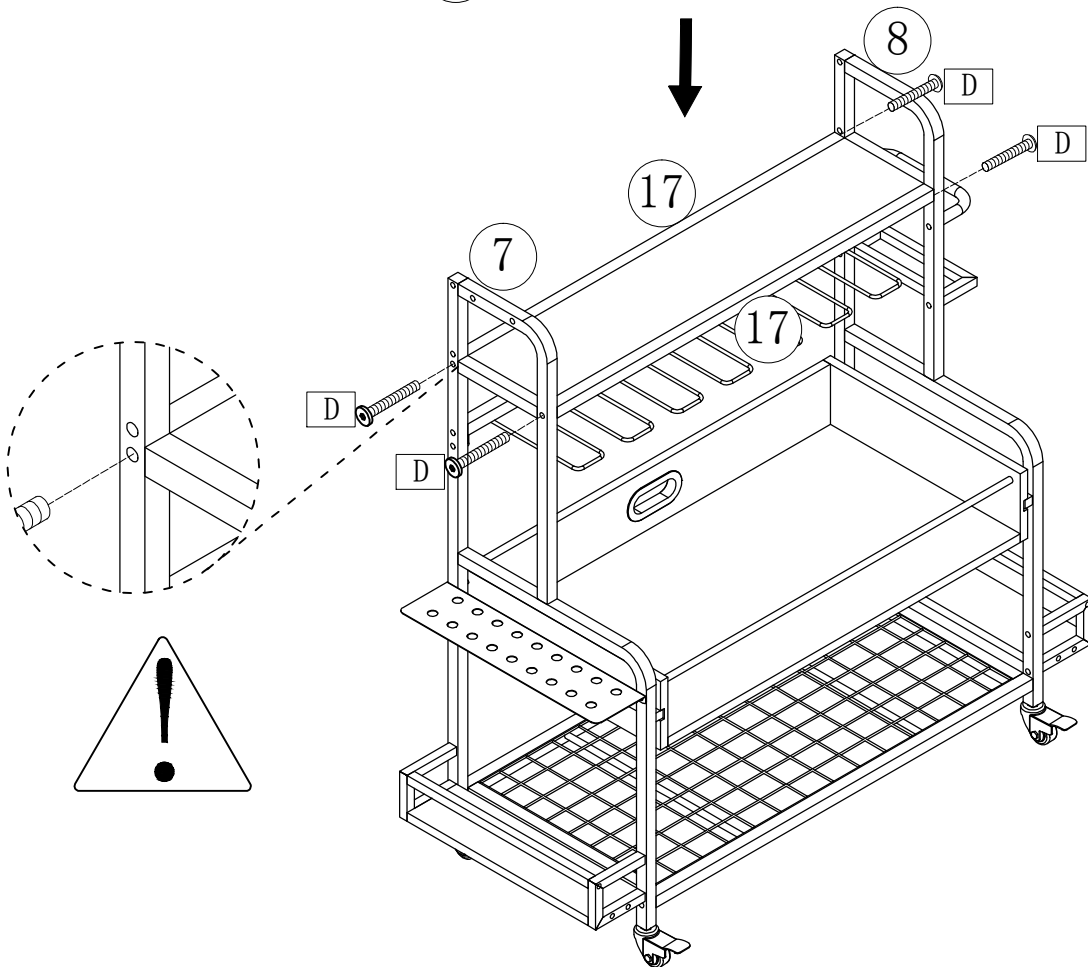
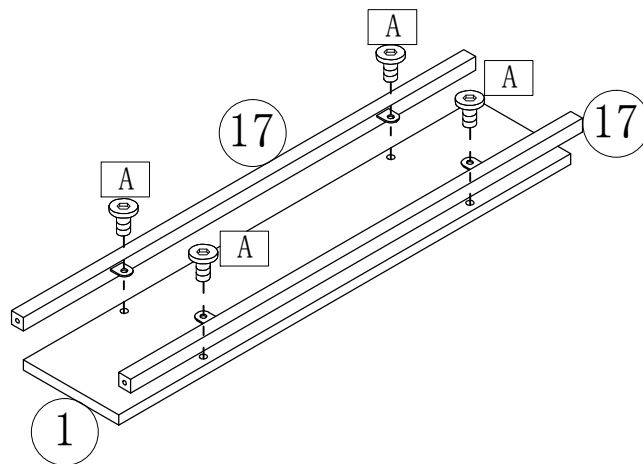


A 4pcs

M6\*40mm



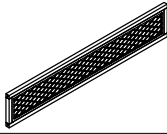
D 4pcs



# ASSEMBLY INSTRUCTIONS

9

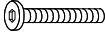
18  
1pcs



F 2pcs



M6\*40mm



D 4pcs

M6

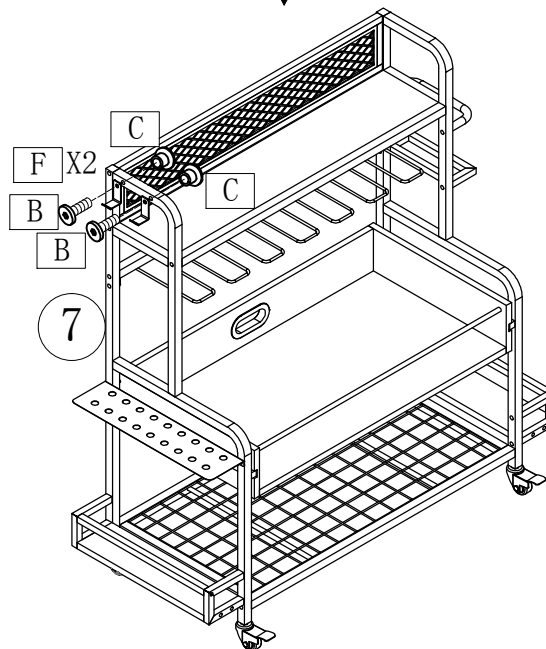
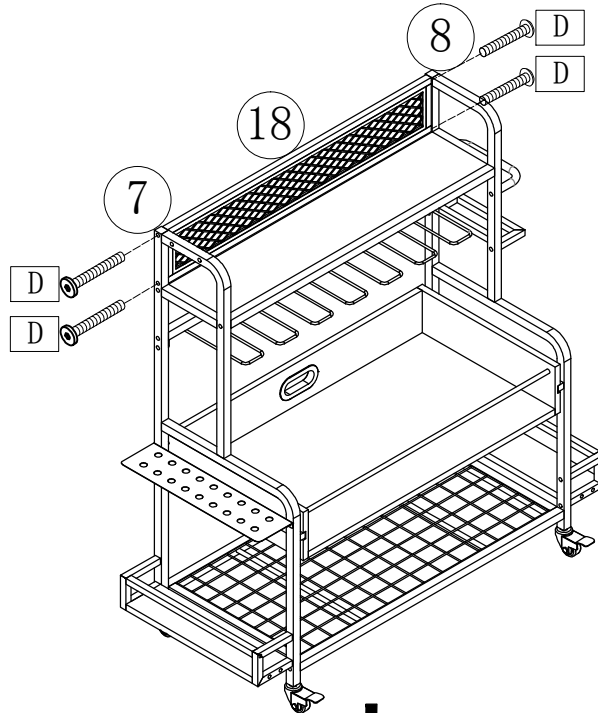


C 2pcs

M6\*20mm



B 2pcs

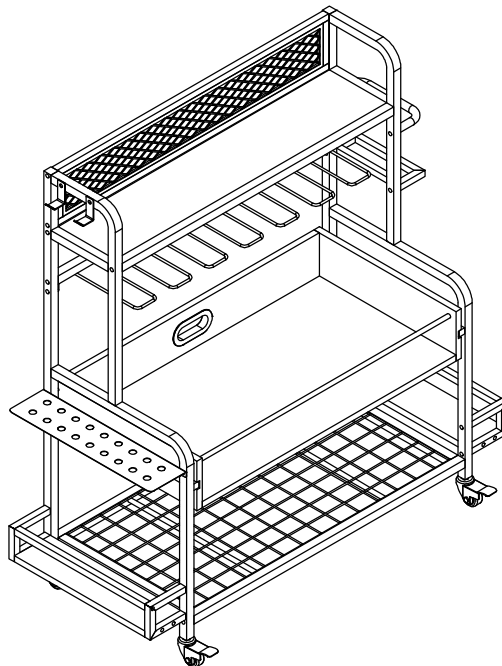
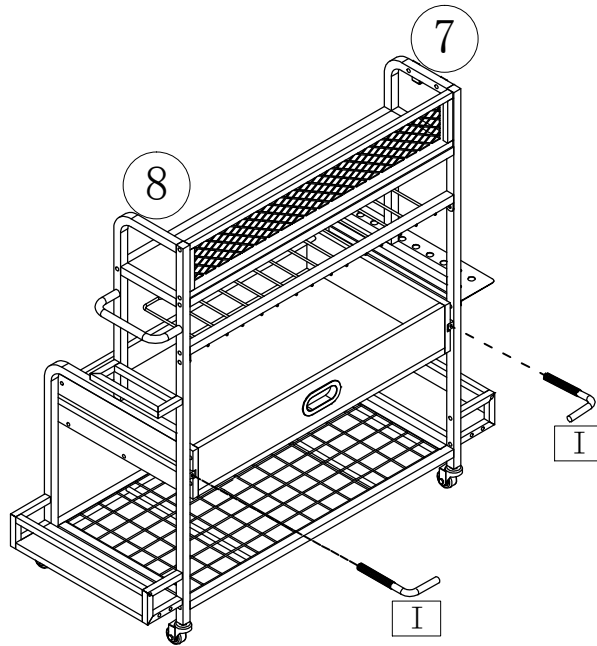


# ASSEMBLY INSTRUCTIONS

10



① 2pcs



Installation Completed