

## USER'S MANUAL

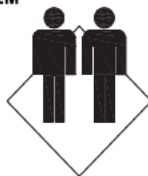
### Chest & Cabinet Combo

THIS INSTRUCTION BOOKLET CONTAINS **IMPORTANT** SAFETY INFORMATION, PLEASE READ AND KEEP FOR FUTURE REFERENCE.

**Please give us a chance to make it right and do better!**

Contact our friendly customer service department for help first.  
Replacements for missing or damaged parts will be shipped ASAP!

FLOOR AREA  
2MX2M



**ASSEMBLED BY 2 ADULTS**

---

## Important

When you open the cartons, carefully check the contents and make sure there is no damage. If you have any problems or you find any parts damaged or missing, Please contact us first.

Do not return the product to the store before contacting us. Do not dispose of your cartons until you are completely satisfied with your products.

To reduce the risk of injury, the user should read and understand this owner's manual before assembling and using these products for the first time.

## Safety Guidelines

**WARNING** Use two or more people to move, assemble, and install the product to avoid any injury.

**WARNING** DO NOT leave children unattended near the product.

**WARNING** DO NOT stand on the product or lean on the drawers or worktop.

**WARNING** WEAR SAFETY GLASSES when removing or repositioning the slides. The tools could slip, which may cause personal injury.

**WARNING** DO NOT alter the product in any manner. For example, do not weld external lock bars or attach unapproved electrical equipment. This may cause product damage, personal injury, or death.

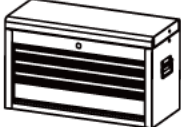







**WARNING** DO NOT OVERLOAD PRODUCTS ! The components of the product are designed to maximum weight capacities 90kgs(200lbs).

**CAUTION** BE CAREFUL when opening more than one drawer. The product could become unstable and tip, which may cause product damage or personal injury.

**CAUTION** High risk of tipping if the product is not installed correctly. Securely attach the product to the wall to avoid serious injury.

## Unpacking

1. Please make sure you have received all your packages for this product.
2. Start by placing the package on flat covered ground.
3. Remove all cardboard, honey comb board, foam packaging material and clear plastic bags.
4. Recycle all packaging materials.
5. Verify all the contents are included and gather the tools required.

Parts	No.	Qty.
	1	1
	2	1
	3	4
	4	4
	5	4
	6	4
	7	2
	8	1

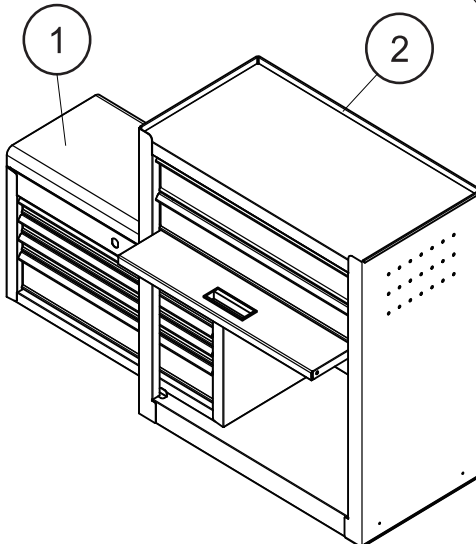
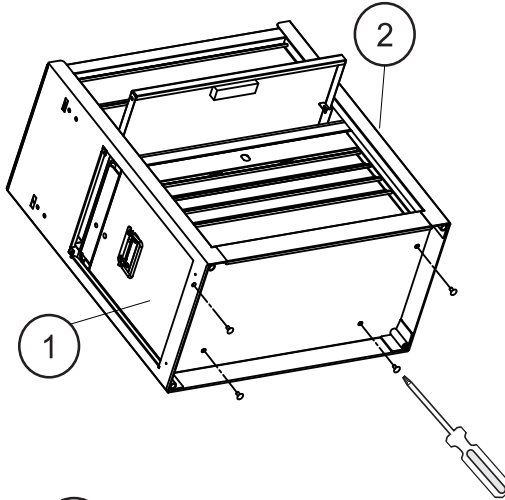
---

## Remove Chest

Place cabinet on a level surface.

Remove the screws holding the chest inside the cabinet

Slowly remove chest from the cabinet



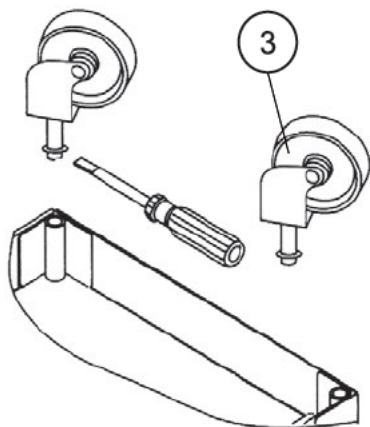
---

## Caster Assembly

Slightly spread apart split bearing on shaft if it fits loose.

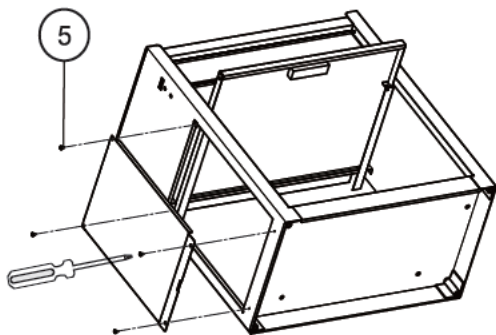
Crimp split bearing slightly with pliers.

Make only slight adjustments until caster fits properly.

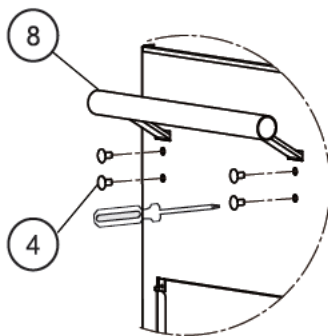


## Assemble Side Panel

Assemble screws with a screwdriver.



## Handle Assembly

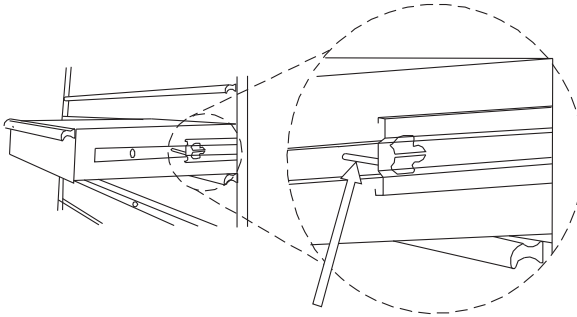


---

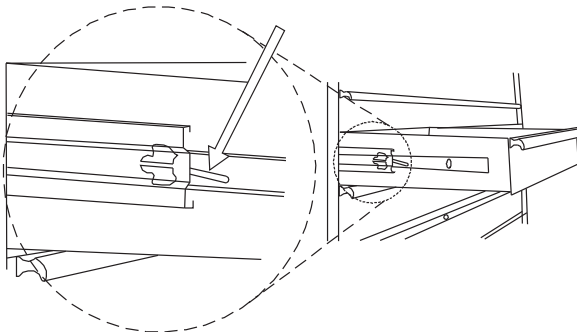
## WARNING

- a) Lubricate the top and the bottom channels of the drawer slides at least twice a year.
- b) Do not open more than one loaded drawer at a time.
- c) The maximum loading capacity is 90kgs(200lbs).

### PUSH UP (ONE SIDE)



### PUSH DOWN (OTHER SIDE)



#### WARNING:

This product contains chemicals known to the State of California to cause cancer and birth defects or other harm. Wash hands thoroughly after handling. Failure to heed these warnings may result in personal injury and/or property damage.