



Manufactured by:
 Backyard Discovery
 3305 Airport Drive, Pittsburg, KS 66762
 800-856-4445

Basepoint Business Centre: Rivermead Drive, Westlea, Swindon SN5 7EX Phone: 0800-118-2476
 J.P. Coenstraat 7, The Bridge, The Hague, 2595 WP, Netherlands Phone: 08005678990

121 - ") '5 fWUXJU Gazebo

MODEL # : 2306073



Please visit www.backyarddiscovery.com
 For the most up to date assembly manual, to register your product, or to order replacement parts *Para obtener instrucciones en español, visite* www.backyarddiscovery.com



EASY STEP-BY-STEP
 3D INTERACTIVE INSTRUCTIONS
 DOWNLOAD THE FREE APP
 



INSTALLATION
 SERVICES
 AVAILABLE!
See inside for details

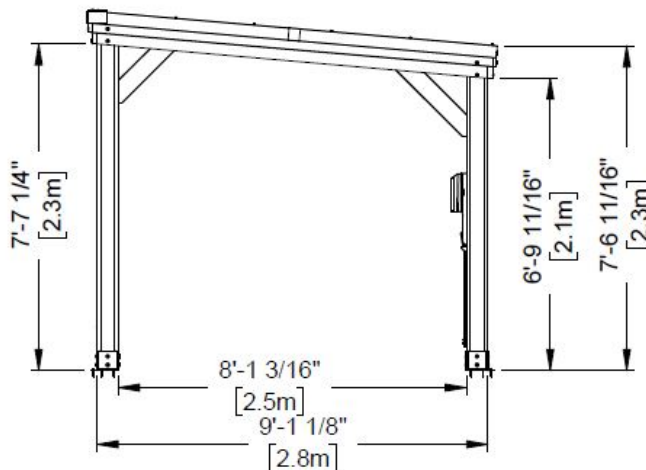
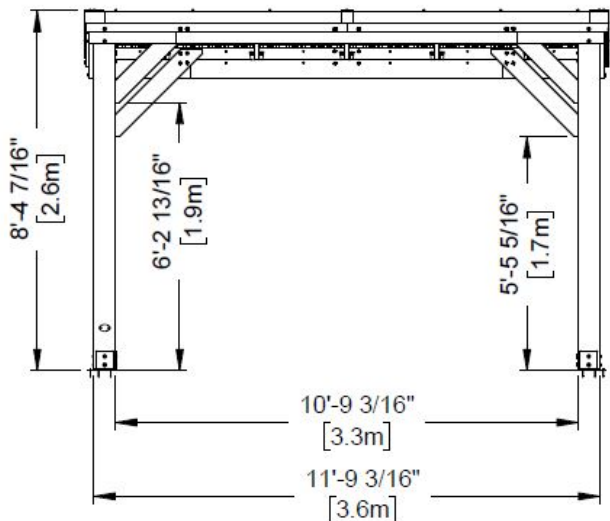
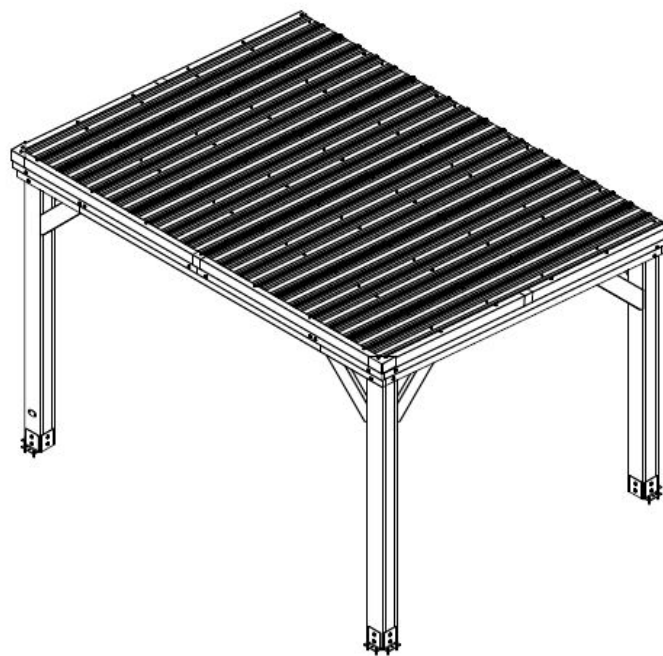
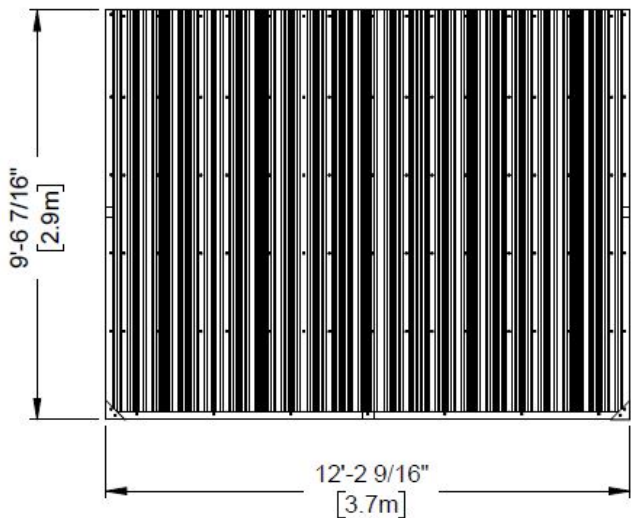
OWNER'S MANUAL - BASIC SETUP DIMENSIONS & ASSEMBLY NOTES

It is critically important that you start with square and level footings, concrete pad or deck to attach your structure

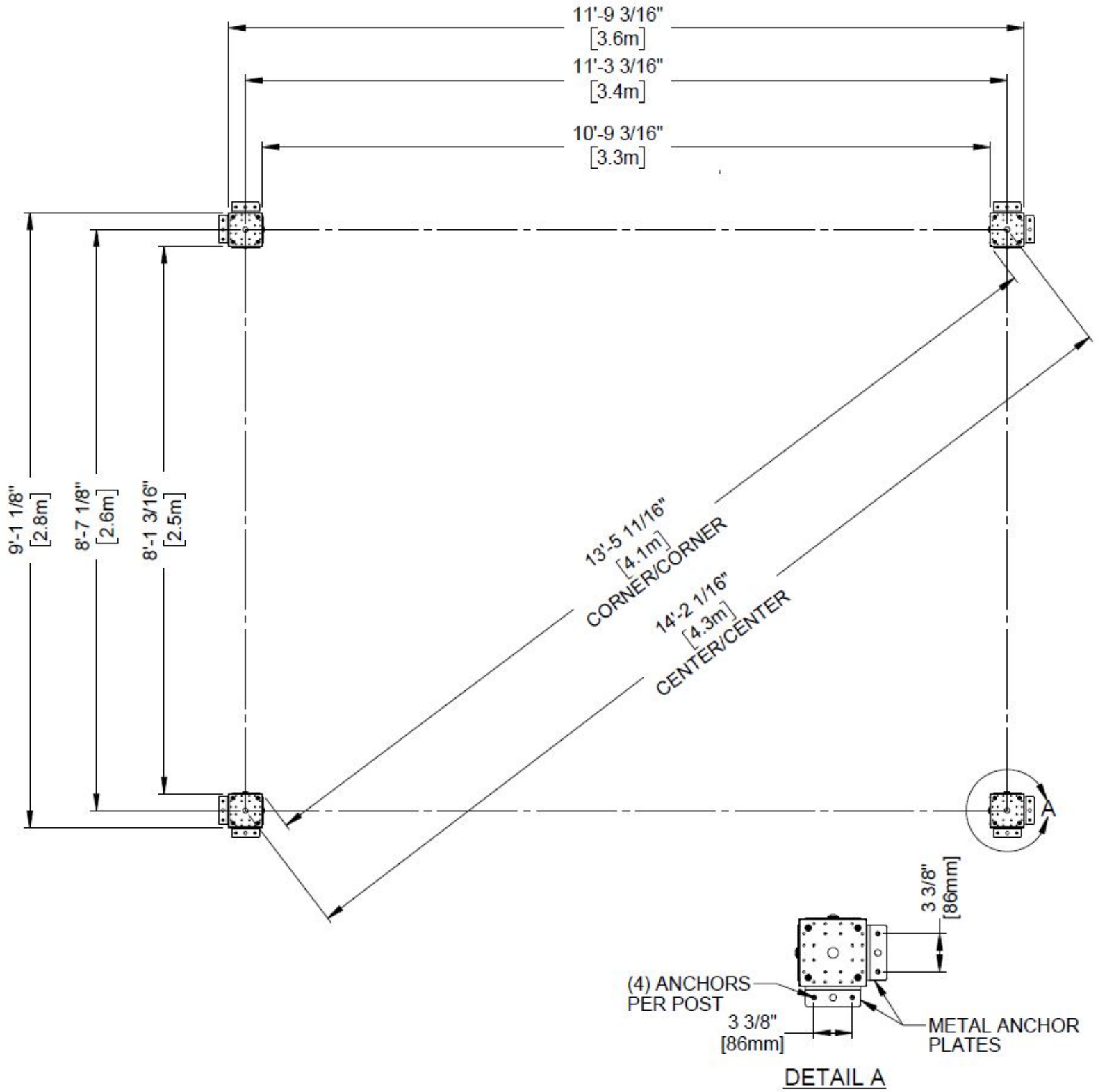
- Pay close attention to the items needed for each step. Make sure you are using the correct hardware for each step. Using incorrect hardware may result in improper assembly
- Remember to double check for underground utilities and overhead electrical lines

Post mounts are provided with your structure which allows you to permanently install your structure to a pre-existing or new wood or concrete surface. See Anchor Instructions for further details and recommendations.

- The hardware to attach the post mounts to the structure is included.
- The hardware to mount the structure permanently to a concrete surface is included.
- The hardware to mount the structure permanently to a wood deck is NOT included and will need to be purchased separately. You must ensure there is ample structural support under the deck before permanently attaching.



OWNER'S MANUAL - ANCHORING LAYOUT



OWNER'S MANUAL - PARTS IDENTIFICATION

Wood Components (Not to Scale)



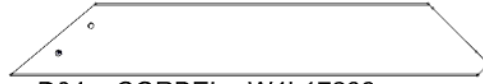
D01 CORBEL - W4L17290
(x3) 1 7/16"x5 1/4"x34 7/16" (36x134x874)



D03 CORBEL - W4L17297
(x2) 1 3/8"x5 1/4"x27 1/4" (36x134x692)



D02 CORBEL W/TAG - W2A03544
(x1) 1 7/16"x5 1/4"x34 7/16" (36x134x874)



D04 CORBEL - W4L17299
(x2) 1 3/8"x5 1/4"x33 7/8" (36x134x860)



E01 RAFTER - W4L17300
(x5) 1 7/16"x3 3/8"x109 3/4" (36x86x2787)



G01 FASCIA - W4L17307
(x2) 15/16"x5 1/4"x72 15/16" (24x134x1853)



G04 FASCIA - W4L17304
(x2) 15/16"x5 1/4"x112 13/16" (24x134x2866)



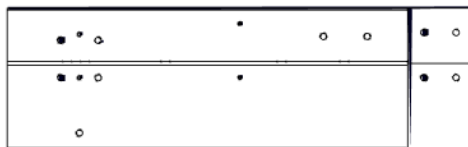
G05 FASCIA - W4L17303
(x2) 15/16"x5 1/4"x72 15/16" (24x134x1853)



H01 PURLIN - W4L17301
(x4) 15/16"x3 3/8"x96 7/8" (24x86x2461)



H02 PURLIN - W4L17302
(x4) 15/16"x3 3/8"x46 1/2" (24x86x1181)



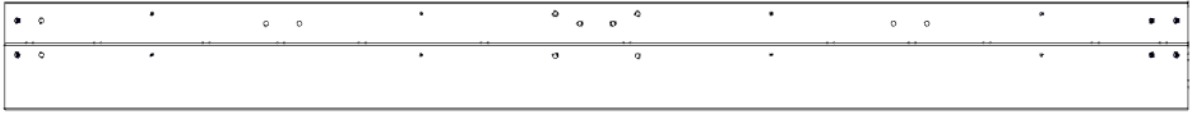
J01 JOIST ASSEMBLY - W2A03549
(x1) 1 7/16"x8 7/16"x28 7/16" (36x214x722)



J03 JOIST ASSEMBLY - W2A03550
(x1) 1 7/16"x8 7/16"x28 7/16" (36x214x722)

OWNER'S MANUAL - PARTS IDENTIFICATION

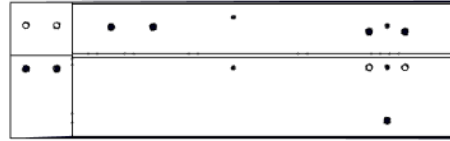
Wood Components (Not to Scale)



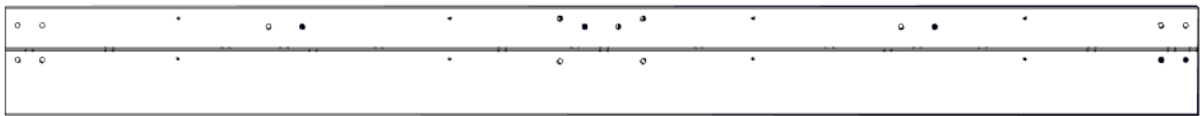
J02 JOIST ASSEMBLY - W2A03545
(x1) 1 7/16"x8 7/16"x95 1/16" (36x214x2414)



J04 JOIST ASSEMBLY - W2A03551
(x1) 1 7/16"x8 7/16"x28 7/16" (36x214x722)



J06 JOIST ASSEMBLY - W2A03552
(x1) 1 7/16"x8 7/16"x28 7/16" (36x214x722)



J05 JOIST ASSEMBLY - W2A03546
(x1) 1 7/16"x8 7/16"x95 1/16" (36x214x2414)



J07 JOIST ASSEMBLY - W2A03547
(x1) 1 7/16"x8 7/16"x110 5/16" (36x214x2801)



J08 JOIST ASSEMBLY - W2A03548
(x1) 1 7/16"x8 7/16"x110 5/16" (36x214x2801)



J09 CLEAT - W4L17306
(x2) 15/16"x2 3/8"x97 9/16" (24x60x2479)



P01 POST - W2A03540
(x1) 6"x6"x98 1/2" (152x152x2502)



P02 POST - W2A03542
(x1) 6"x6"x89 1/16" (152x152x2262)



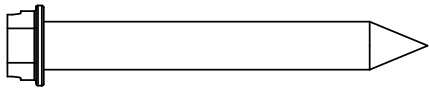
P03 POST - W2A03541
(x1) 6"x6"x98 1/2" (152x152x2502)



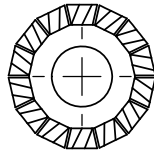
P04 POST - W2A03543
(x1) 6"x6"x89 1/16" (152x152x2262)

OWNER'S MANUAL - PARTS IDENTIFICATION

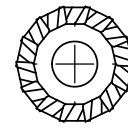
Hardware Components



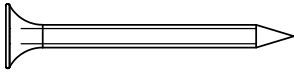
H100120 | CONCRETE ANCHOR
(x16) | 1/4x2



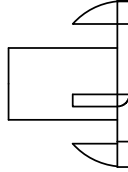
H100198 | WASHER LOCK EXT BLK
(x88) | 8x19



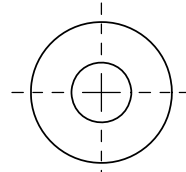
H100405 | WASHER LOCK EXT BLK
(x8) | 6x15



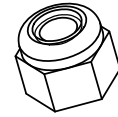
H100200 | SCREW PFH BLK
(x16) | 8x1-1/2



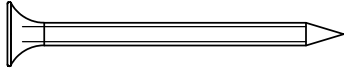
H100379 | T-NUT BLK
(x84) | 5/16



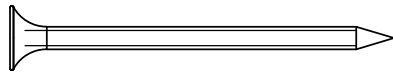
H100630 | WASHER FLAT BLK
(x26) | 8x19



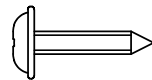
H100653 | NUT LOCK BLK
(x10) | 1/4



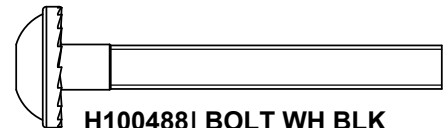
H100382 | SCREW PFH BLK
(x56) | 8x1-3/4



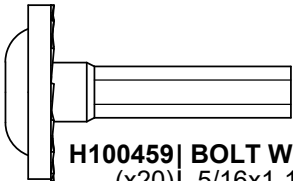
H100391 | SCREW PFH BLK
(x56) | 8x2



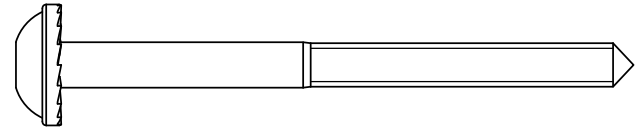
H100202 | SCREW PWH BLK
(x2) | 8x5/8



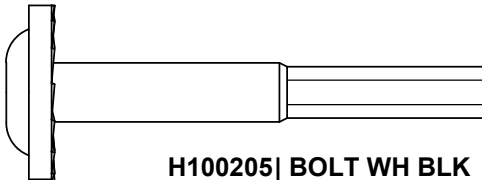
H100488 | BOLT WH BLK
(x10) | 1/4x2



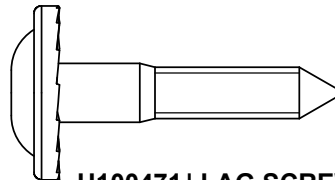
H100459 | BOLT WH BLK
(x20) | 5/16x1-1/4



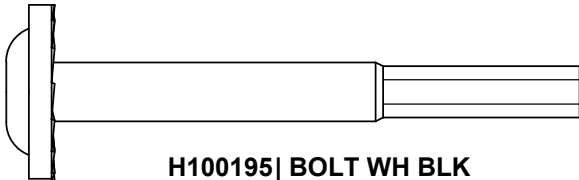
H100792 | LAG SCREW WH BLK
(x8) | 1/4x3



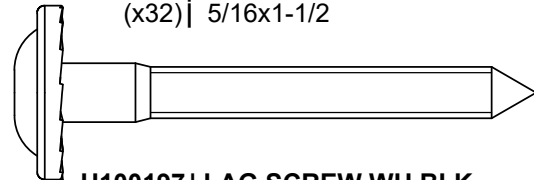
H100205 | BOLT WH BLK
(x8) | 5/16x2-1/4



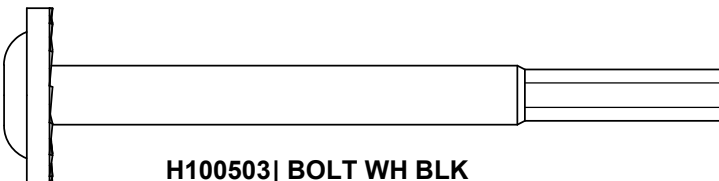
H100471 | LAG SCREW WH BLK
(x32) | 5/16x1-1/2



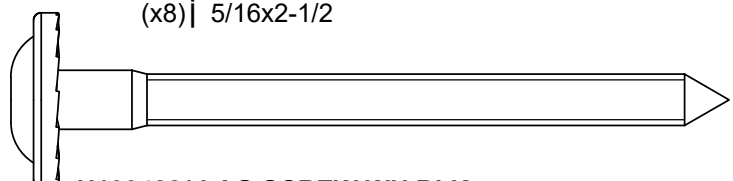
H100195 | BOLT WH BLK
(x8) | 5/16x2-3/4



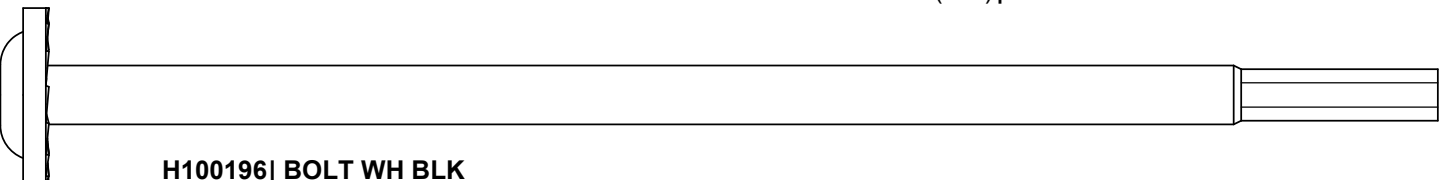
H100197 | LAG SCREW WH BLK
(x8) | 5/16x2-1/2



H100503 | BOLT WH BLK
(x16) | 5/16x3-1/2



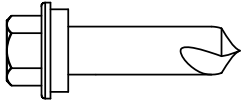
H100482 | LAG SCREW WH BLK
(x16) | 5/16x3-1/2



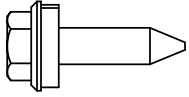
H100196 | BOLT WH BLK
(x32) | 5/16x7-1/4

OWNER'S MANUAL - PARTS IDENTIFICATION

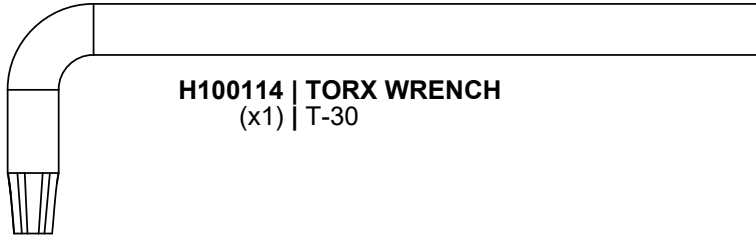
Hardware Components



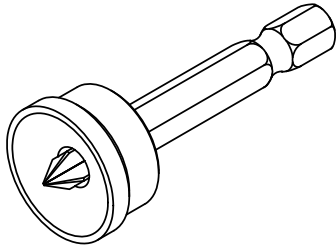
H101116 | SCREW TAPPING
(x21) | 1/4 x 1



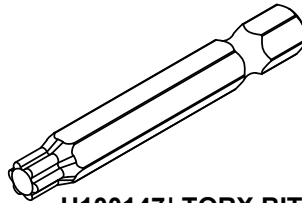
H101117 | SCREW WOODGRIP
(x120) | 10x3/4



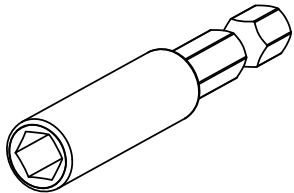
H100114 | TORX WRENCH
(x1) | T-30



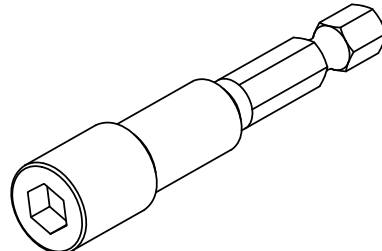
H100764 | SCREW SETTER
(x1)



H100147 | TORX BIT
(x1) | T-30



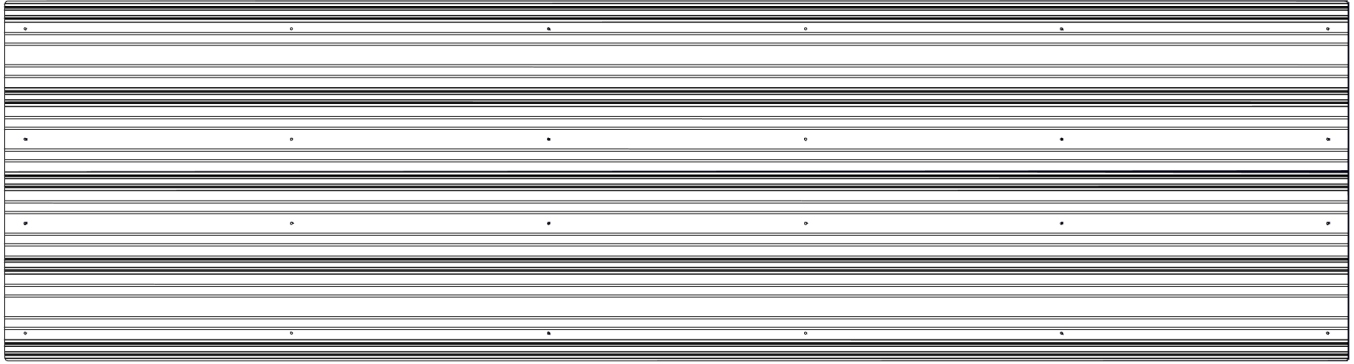
H101100 | MAGNETIC DRIVER
(x1)



H101106 | SOCKET DRIVER
(x1)

OWNER'S MANUAL - PARTS IDENTIFICATION

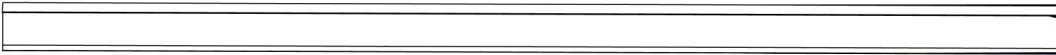
Accessory Components (Not to Scale)



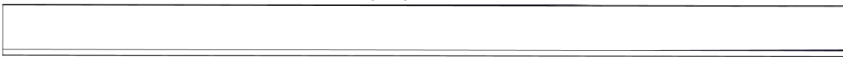
A4M01795 29GA SHEETING
(x4)



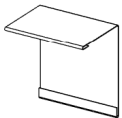
A4M01796 29GA SHEETING
(x2)



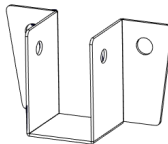
A4M01798 EDGE TRIM LONG
(x2)



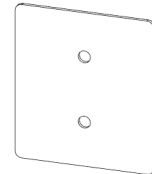
A4M01797 EDGE TRIM SHORT
(x4)



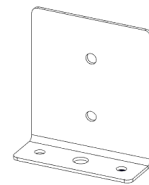
A4M01799 EDGE TRIM SPLICE
(x3)



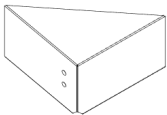
A4M01787 RAFTER BRACKET
(x10)



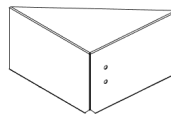
A4M00978 POST PLATE
(x8)



A4M00977 POST ANCHORING PLATE WITH FLANGE
(x8)



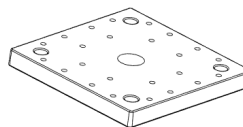
A4M01893 CORNER SPLICE TRIM LH
(x1)



A4M01800 CORNER SPLICE TRIM RH
(x1)



A100241 BYD ID TAG (SMALL) WITHOUT AGES
(x1)



A6P00308 6x6 POST FOOT
(x4)



9205413 ELECTRICAL ENCLOSURE
(x1)

PRE-ASSEMBLY STEP 1 - SORTING PARTS

It is critical for ease of assembly that you take the time to sort and organize the wood and hardware.

WOOD PARTS:

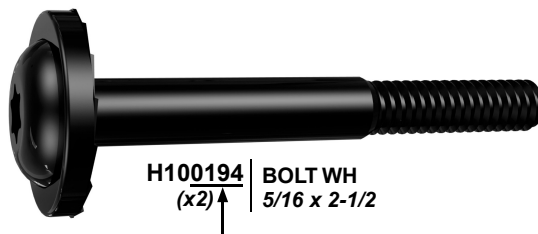
- Organize wood parts by the three-digit, alpha-numeric number stamped on each board (ex. P01).
- If there are multiple boards with the same stamped number, stack those pieces together.
- Stamps can be found on the flat surface of the boards or on the end of the boards.
- Allow yourself plenty of room - the wood pieces can take up a significant amount of space.

NOTE: CARTONS ARE NOT ORGANIZED BY BOARD NUMBER.



HARDWARE PARTS:

- We recommend that you have a separate table to organize the hardware.
- Hardware bags are printed with a seven-digit, alpha-numeric part number.
- You can organize your hardware by part number or group by hardware type (i.e. bolts, nuts, etc.).
- During assembly you only need to reference the last four digits of the number.



H100194 | BOLT WH
(x2) ↑ 5/16 x 2-1/2

PRE-ASSEMBLY STEP 2 - TOOLS REQUIRED



Cordless Drill or
Electric Drill



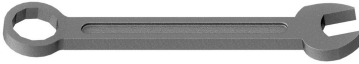
Drill Attachments:
Phillips Head



1/8", 3/16", 3/8" &
7/16" Drill Bits



Phillips Screw Driver



Open End
Wrenches 1/2" &
7/16"



3/8" Drive Ratchet, 1/2" &
7/16" STD Sockets, 1/2" &
7/16" Deep Sockets



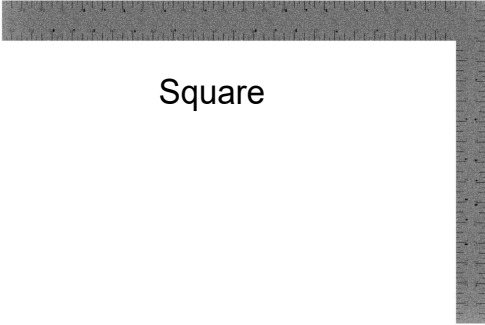
Tape Measure



Claw Hammer



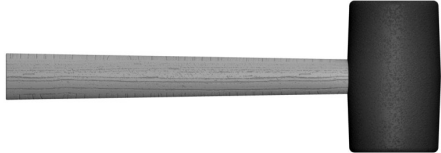
3/8 & 5/16" Nut Drivers



Square



Level 24"



Rubber Mallet -
Optional

PRE-ASSEMBLY STEP 3 - CHOOSE YOUR ASSEMBLY METHOD

There are several types of assembly instructions available to you.

1. Printed Assembly Manual included with your set
2. BILT APP - 3D interactive instructions
3. Combination of the Printed Manual and BILT APP (Note: Step numbers can differ between the two methods)



The graphic is a rectangular advertisement for the BILT app. At the top left is the BILT logo, which consists of a stylized hexagonal icon with a dot in the center, followed by the word "BILT." in a bold, sans-serif font. To the right of the logo is a large QR code. Below the logo and QR code, the text "Scan for easy 3D instructions" is written in a large, bold, black font. Underneath this, in a smaller font, it says "Download the BILT app before you begin". To the right of this text are two buttons: "Download on the App Store" with the Apple logo and "GET IT ON Google Play" with the Google Play logo. At the bottom of the graphic is a smartphone screen displaying a 3D interactive assembly instruction. The screen shows a grey 3D model of a structure with a horizontal beam and a triangular base. The interface includes a close button (X) in the top right, a menu icon (three dots) below it, a share icon (square with a dot) below that, and a play/pause button (two vertical bars) at the bottom center. A small "Part(s) Needed" label is visible in the top left corner of the app interface.

STEP 1 - GAZEBO ASSEMBLY

QTY	PART NUMBER	DESCRIPTION
16	H100200	SCREW PFH 8x1 1/2 BLK



P01 POST - W2A03540
(x1) 6"x6"x98 1/2" (152x152x2502)



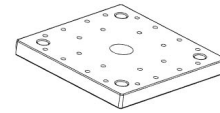
P02 POST - W2A03542
(x1) 6"x6"x89 1/16" (152x152x2262)



P03 POST - W2A03541
(x1) 6"x6"x98 1/2" (152x152x2502)

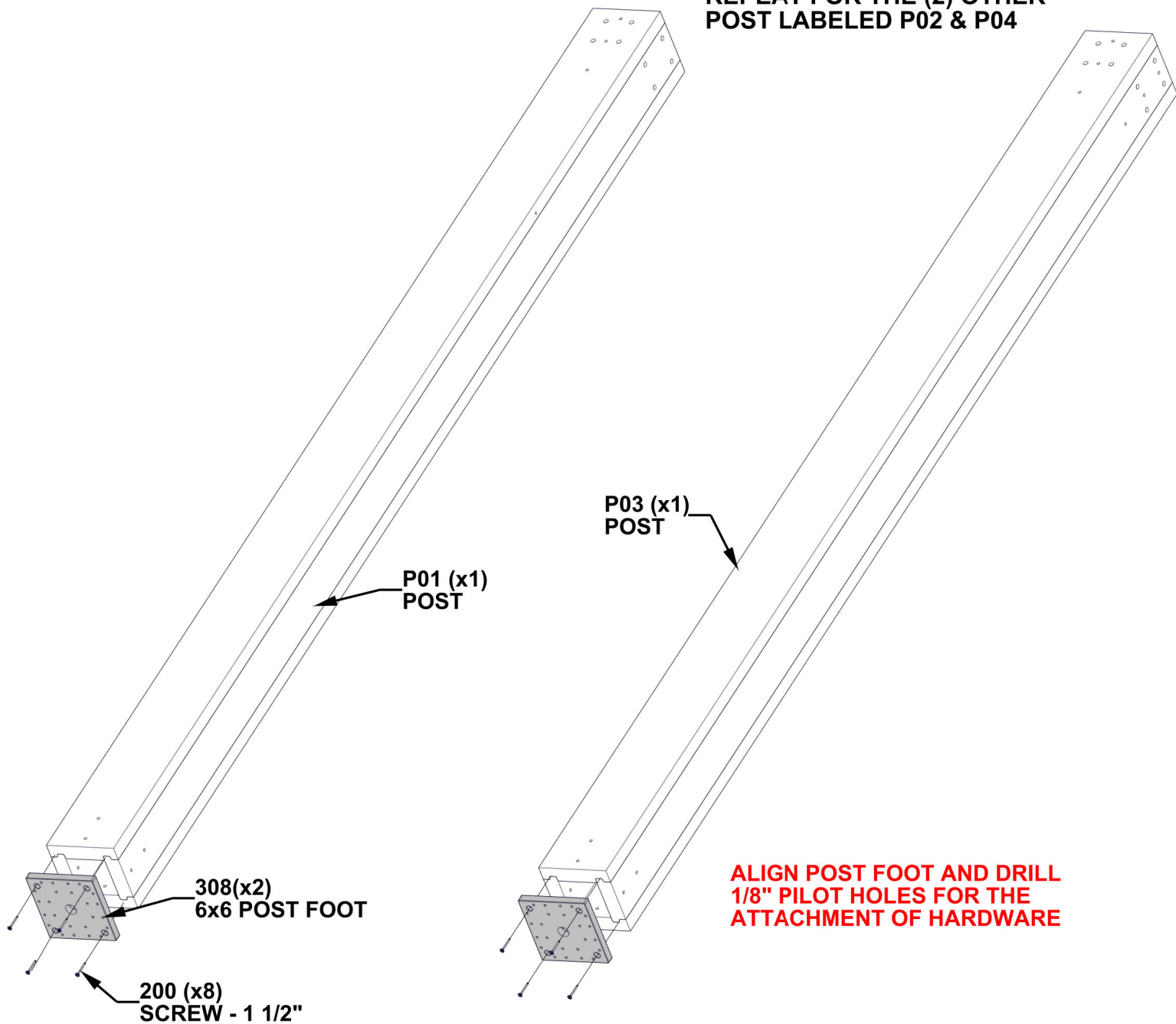


P04 POST - W2A03543
(x1) 6"x6"x89 1/16" (152x152x2262)



A6P00308 6x6 POST FOOT
(x4)

**REPEAT FOR THE (2) OTHER
POST LABELED P02 & P04**



**ALIGN POST FOOT AND DRILL
1/8" PILOT HOLES FOR THE
ATTACHMENT OF HARDWARE**

STEP 2 - GAZEBO ASSEMBLY

QTY	PART NUMBER	DESCRIPTION
4	H100195	BOLT WH 5/16x2 3/4 BLK
4	H100198	WASHER LOCK EXT 8x19
4	H100379	TNUT-5/16" BLK



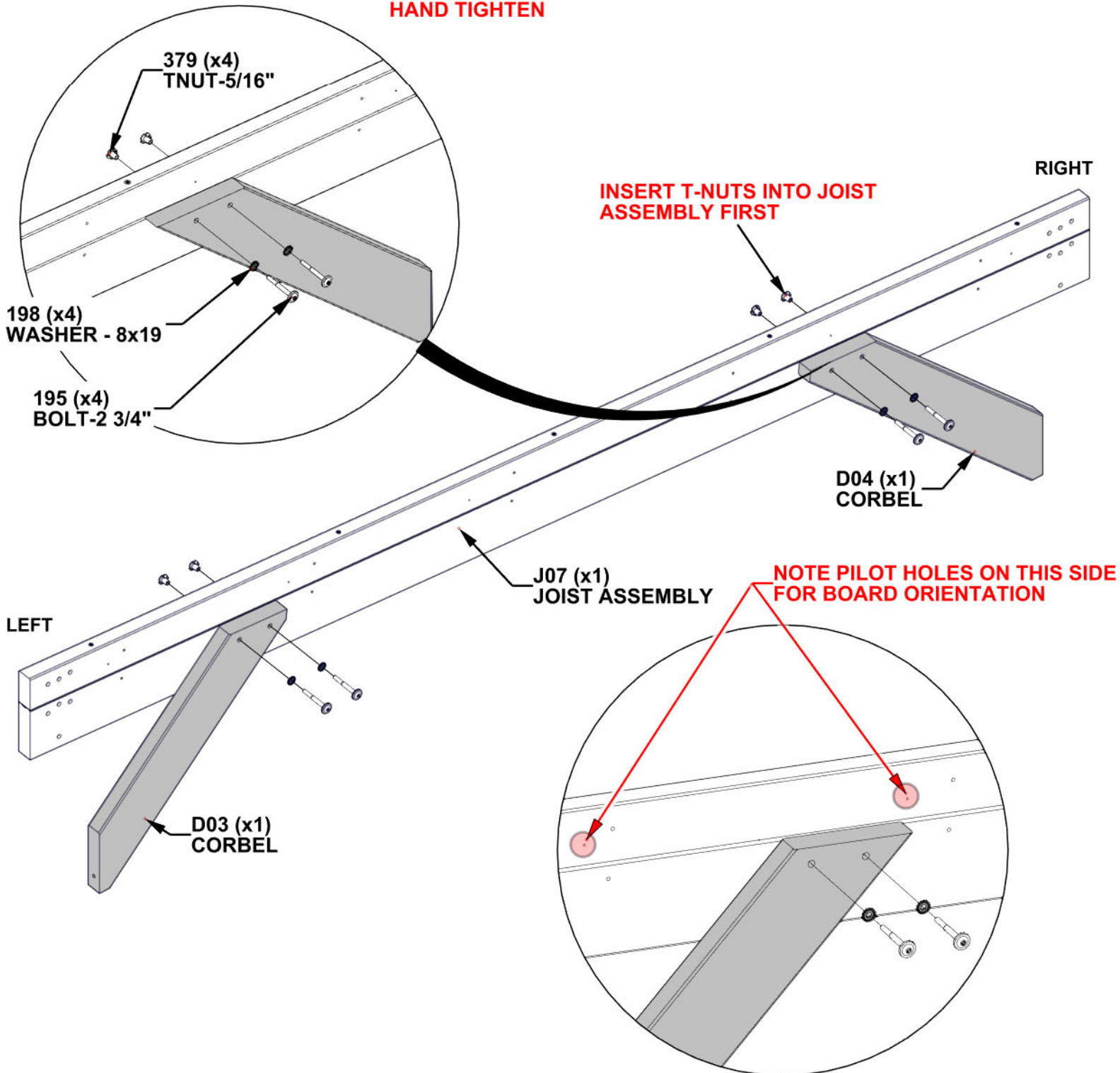
D03 CORBEL - W4L17297
(x1) 1 3/8"x5 1/4"x27 1/4" (36x134x692)

D04 CORBEL - W4L17299
(x1) 1 3/8"x5 1/4"x33 7/8" (36x134x860)



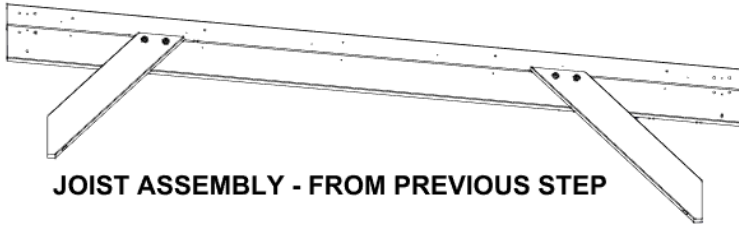
J07 JOIST ASSEMBLY - W2A03547
(x1) 1 7/16"X8 7/16"X110 5/16" (36x214x2801)

HAND TIGHTEN



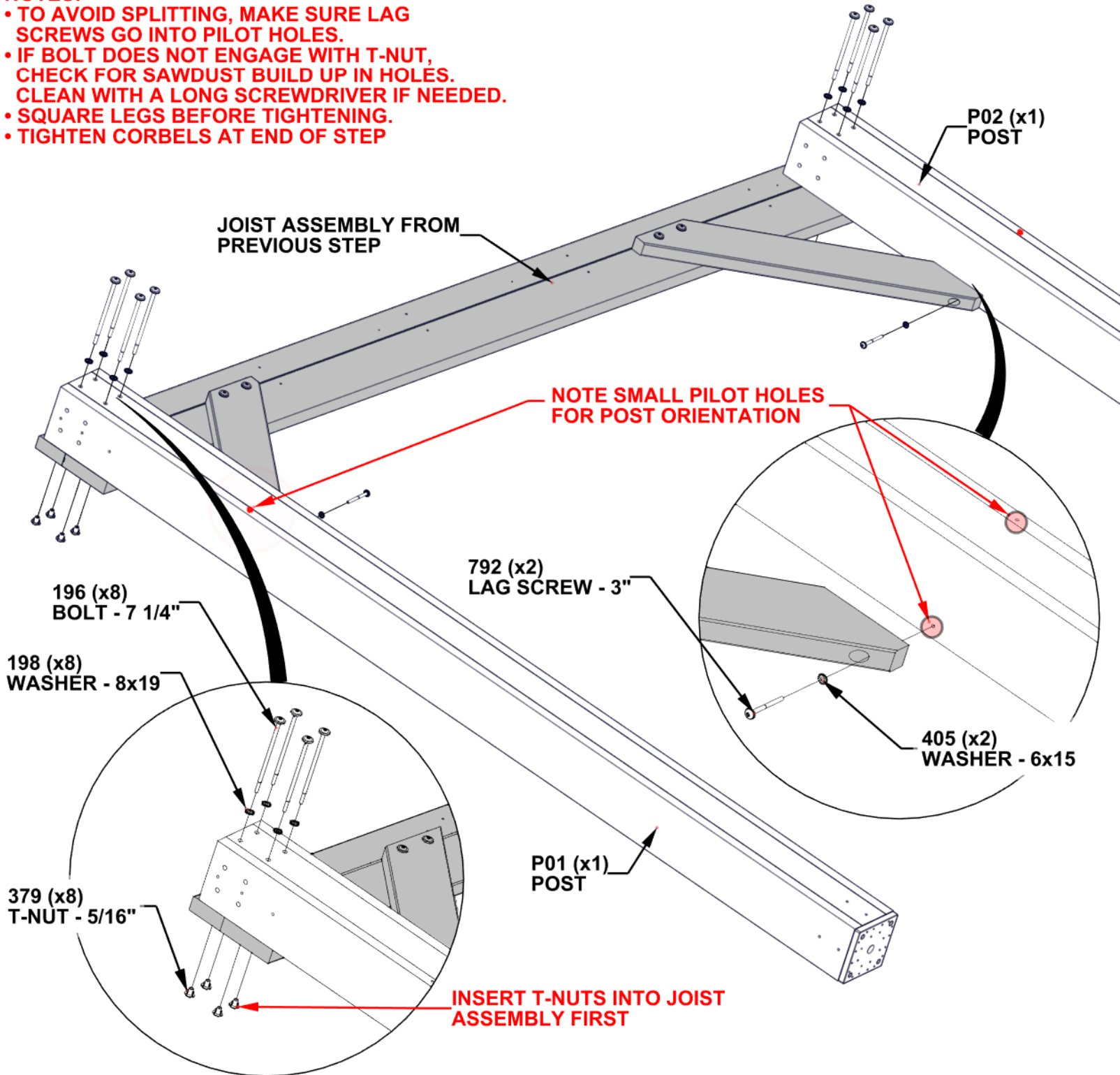
STEP 3 - GAZEBO ASSEMBLY

QTY	PART NUMBER	DESCRIPTION
8	H100196	BOLT WH 5/16x7 1/4 BLK
8	H100198	WASHER LOCK EXT 8x19
8	H100379	T-NUT 5/16 BLK
2	H100405	WASHER LOCK EXT 6x15
2	H100792	LAG SCREW WH 1/4x3 BLK



JOIST ASSEMBLY - FROM PREVIOUS STEP

- NOTES:**
- TO AVOID SPLITTING, MAKE SURE LAG SCREWS GO INTO PILOT HOLES.
 - IF BOLT DOES NOT ENGAGE WITH T-NUT, CHECK FOR SAWDUST BUILD UP IN HOLES. CLEAN WITH A LONG SCREWDRIVER IF NEEDED.
 - SQUARE LEGS BEFORE TIGHTENING.
 - TIGHTEN CORBELS AT END OF STEP



STEP 4 - GAZEBO ASSEMBLY

QTY	PART NUMBER	DESCRIPTION
4	H100195	BOLT WH 5/16x2 3/4 BLK
4	H100198	WASHER LOCK EXT 8x19
4	H100379	TNUT-5/16" BLK



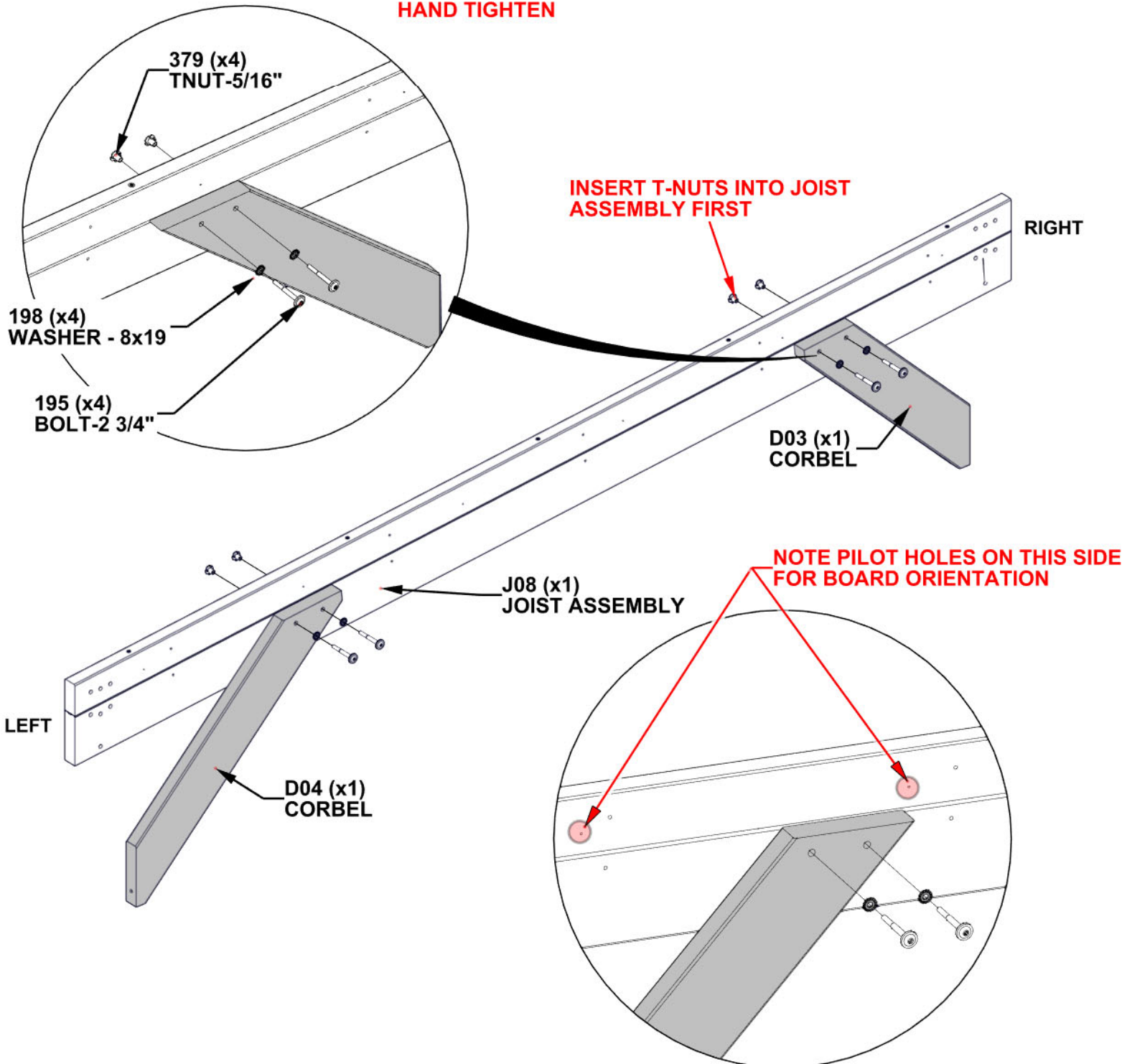
D03 CORBEL - W4L17297
(x1) 1 3/8"x5 1/4"x27 1/4" (36x134x692)

D04 CORBEL - W4L17299
(x1) 1 3/8"x5 1/4"x33 7/8" (36x134x860)



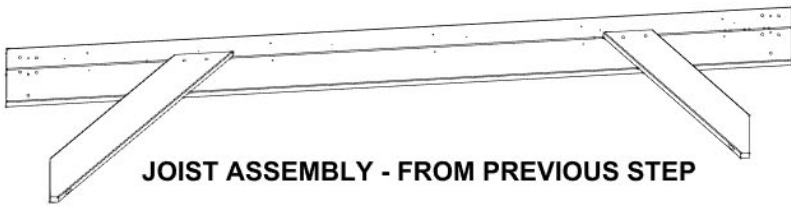
J08 JOIST ASSEMBLY - W2A03548
(x1) 1 7/16"x8 7/16"x110 5/16" (36x214x2801)

HAND TIGHTEN

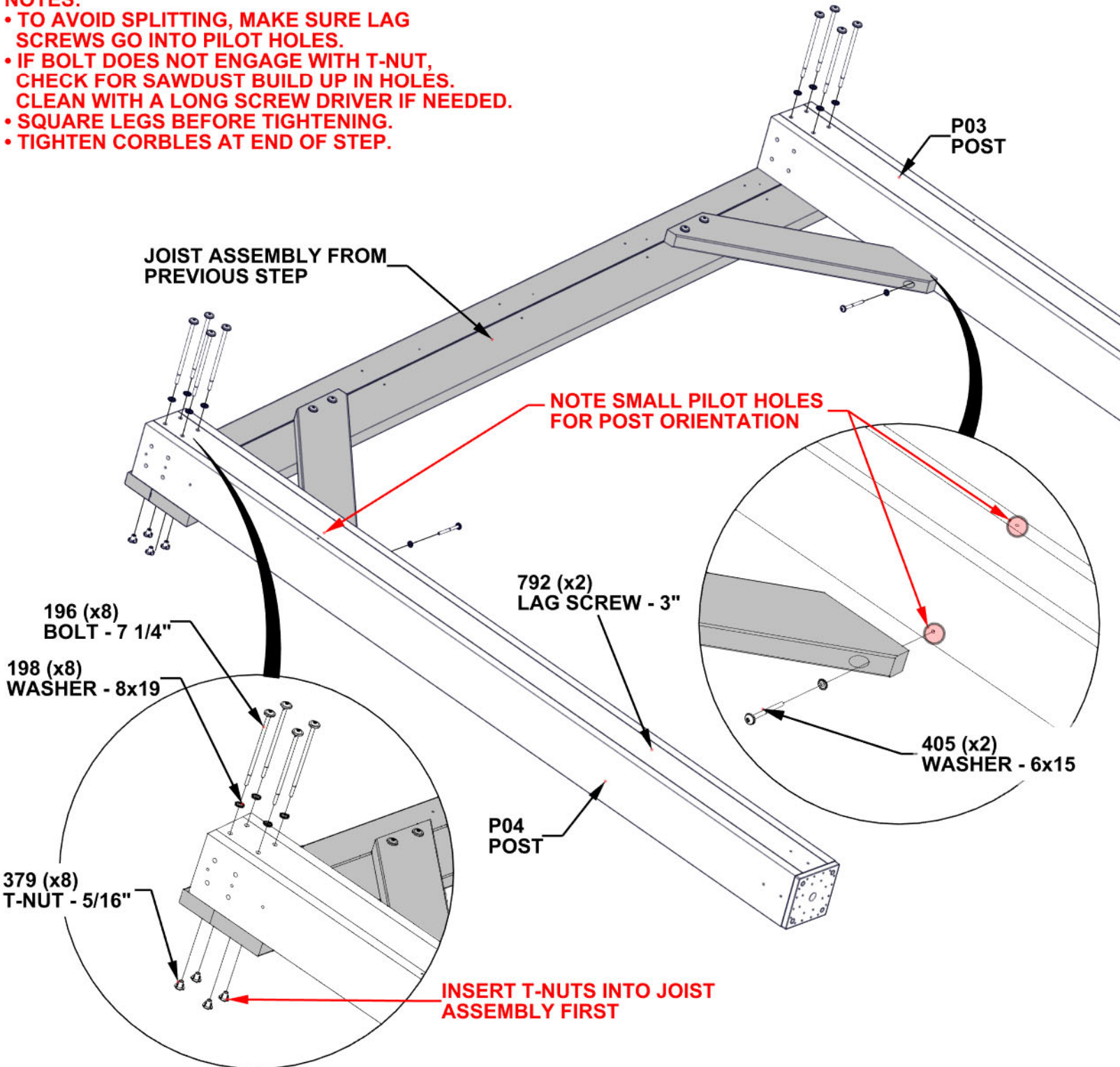


STEP 5 - GAZEBO ASSEMBLY

QTY	PART NUMBER	DESCRIPTION
8	H100196	BOLT WH 5/16x7 1/4 BLK
8	H100198	WASHER LOCK EXT 8x19
8	H100379	T-NUT 5/16 BLK
2	H100405	WASHER LOCK EXT 6x15
2	H100792	LAG SCREW WH 1/4x3 BLK



- NOTES:**
- TO AVOID SPLITTING, MAKE SURE LAG SCREWS GO INTO PILOT HOLES.
 - IF BOLT DOES NOT ENGAGE WITH T-NUT, CHECK FOR SAWDUST BUILD UP IN HOLES. CLEAN WITH A LONG SCREW DRIVER IF NEEDED.
 - SQUARE LEGS BEFORE TIGHTENING.
 - TIGHTEN CORBLES AT END OF STEP.

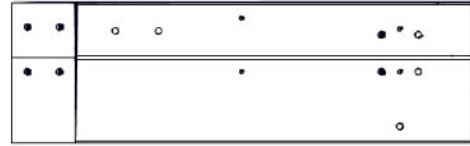


STEP 6A - FRONT JOIST ASSEMBLY

QTY	PART NUMBER	DESCRIPTION
12	H100379	T-NUT 5/16 BLK



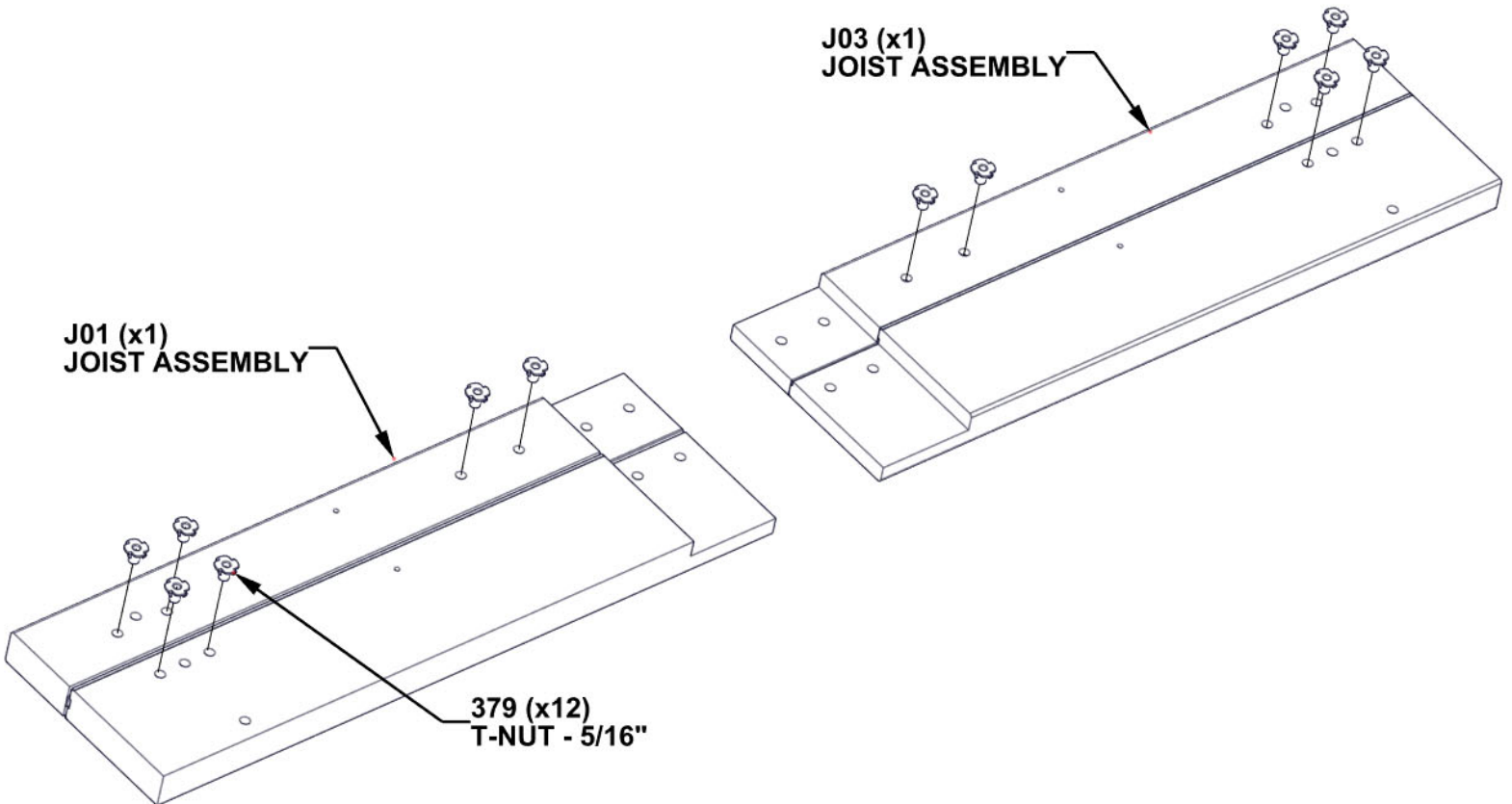
J01 JOIST ASSEMBLY - W2A03549
(x1) 1 7/16"x8 7/16"x28 7/16" (36x214x722)



J03 JOIST ASSEMBLY - W2A03550
(x1) 1 7/16"x8 7/16"x28 7/16" (36x214x722)

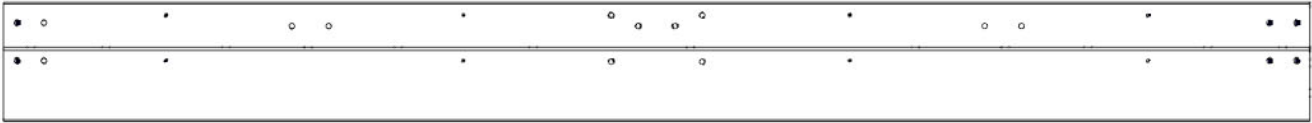
NOTES:

- NOTE NOTCH IN JOIST FOR LOCATION OF T-NUTS.
- ONCE COMPLETE SET ASIDE FOR LATER IN THIS STEP



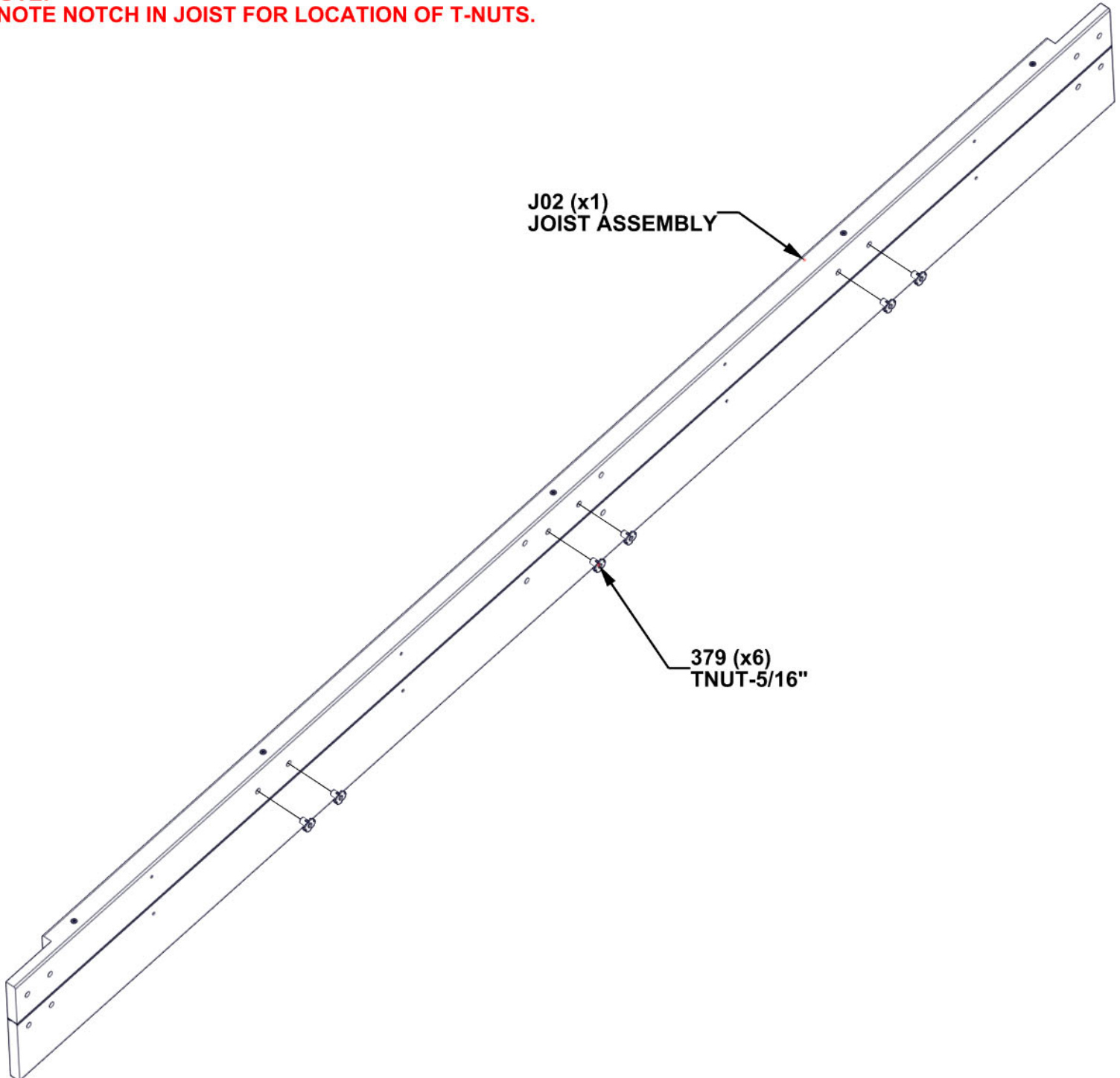
STEP 6B - FRONT JOIST ASSEMBLY

QTY	PART NUMBER	DESCRIPTION
6	H100379	T-NUT 5/16 BLK



J02 JOIST ASSEMBLY - W2A03545
(x1) 1 7/16"x8 7/16"x95 1/16" (36x214x2414)

NOTE:
• NOTE NOTCH IN JOIST FOR LOCATION OF T-NUTS.

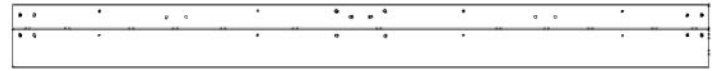


STEP 6C - FRONT JOIST ASSEMBLY

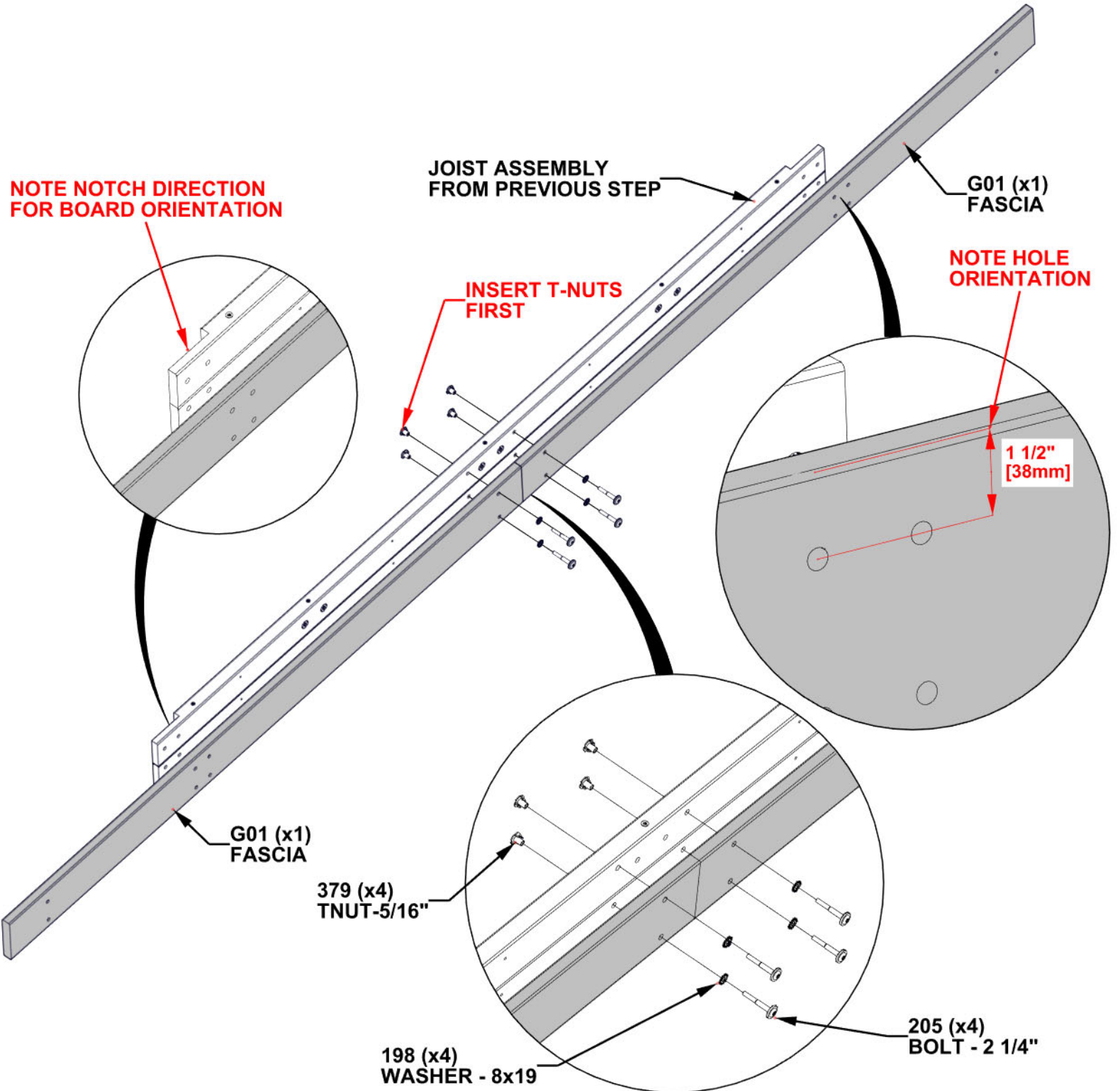
QTY	PART NUMBER	DESCRIPTION
4	H100198	WASHER LOCK EXT 8x19
4	H100205	BOLT WH 5/16x2 1/4 BLK
4	H100379	TNUT-5/16" BLK



G01 FASCIA - W4L17307
(x2) 15/16"x5 1/4"x72 15/16" (24x134x1853)



JOIST ASSEMBLY FROM PREVIOUS STEP

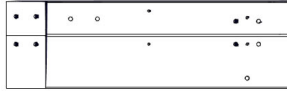


STEP 6D - FRONT JOIST ASSEMBLY

QTY	PART NUMBER	DESCRIPTION
8	H100198	WASHER LOCK EXT 8x19
8	H100379	TNUT-5/16" BLK
8	H100503	BOLT WH 5/16x3 1/2 BLK



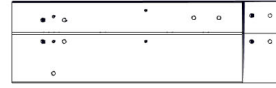
D01 CORBEL - W4L17290
(x1) 1 7/16"x5 1/4"x34 7/16" (36x134x874)



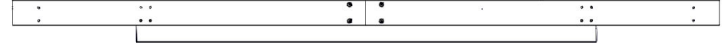
J03 JOIST FROM STEP 6A



D02 CORBEL W/TAG - W2A03544
(x1) 1 7/16"x5 1/4"x34 7/16" (36x134x874)

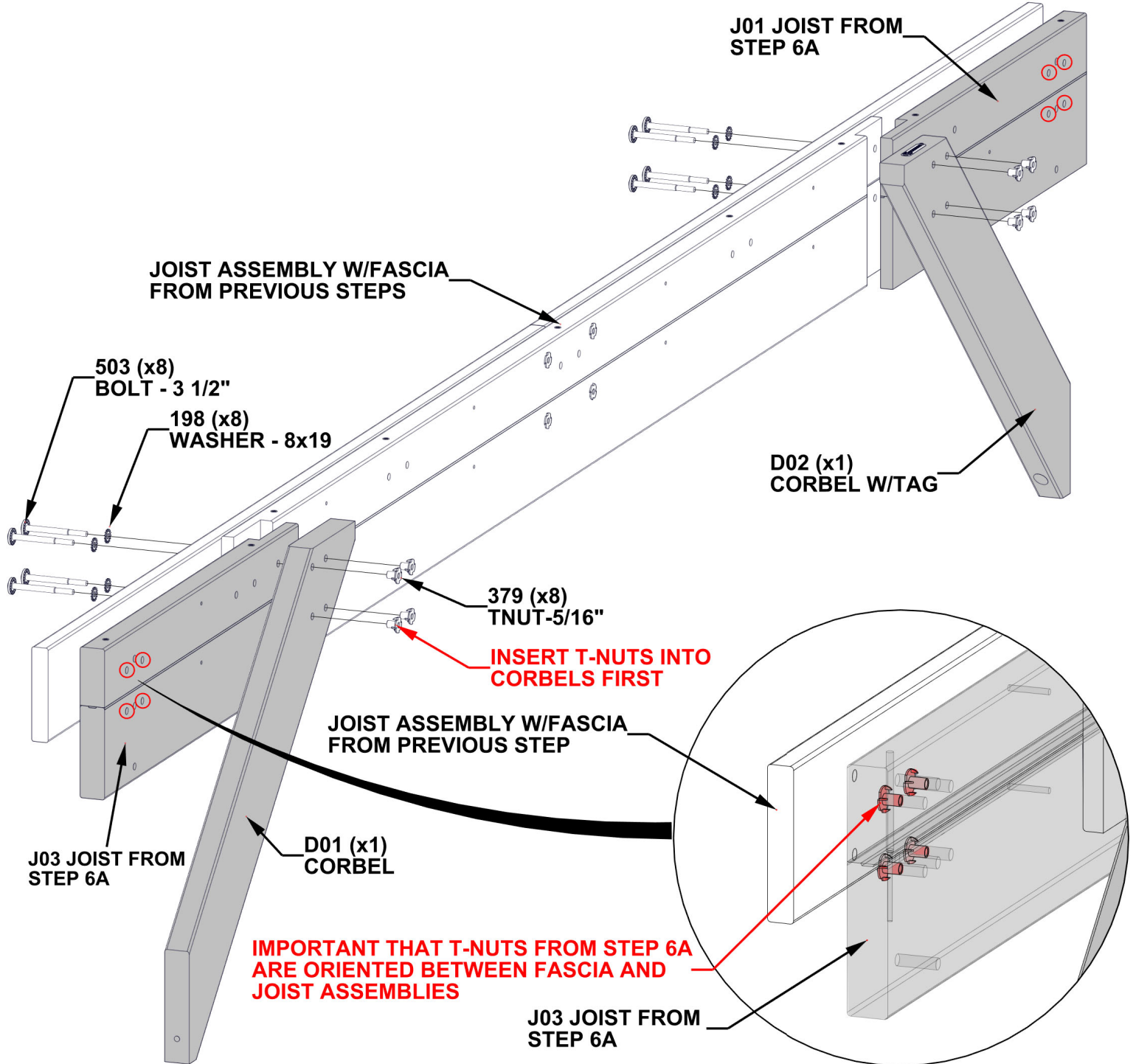


J01 JOIST FROM STEP 6A



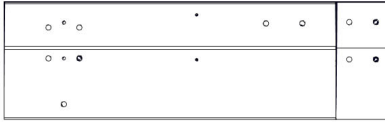
JOIST ASSEMBLY W/FASCIA FROM PREVIOUS STEPS

CORBELS ARE TO BE HAND TIGHTENED ONLY

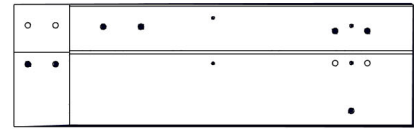


STEP 7A - REAR JOIST ASSEMBLY

QTY	PART NUMBER	DESCRIPTION
12	H100379	T-NUT 5/16 BLK



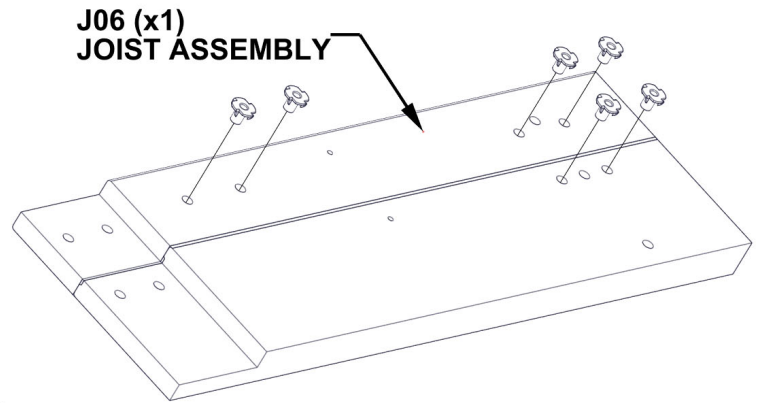
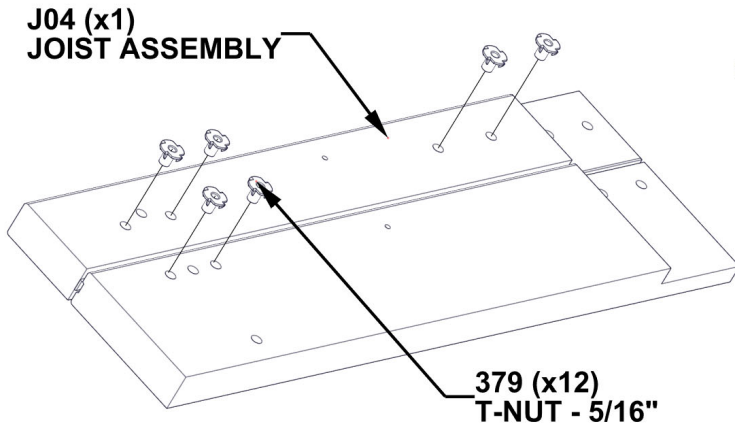
J04 JOIST ASSEMBLY - W2A03551
 (x1) 1 7/16"x8 7/16"x28 7/16" (36x214x722)



J06 JOIST ASSEMBLY - W2A03552
 (x1) 1 7/16"x8 7/16"x28 7/16" (36x214x722)

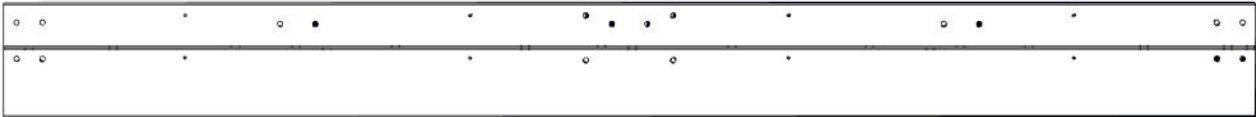
NOTES:

- NOTE NOTCH IN JOIST FOR LOCATION OF T-NUTS.
- ONCE COMPLETE SET ASIDE FOR LATER IN THIS STEP



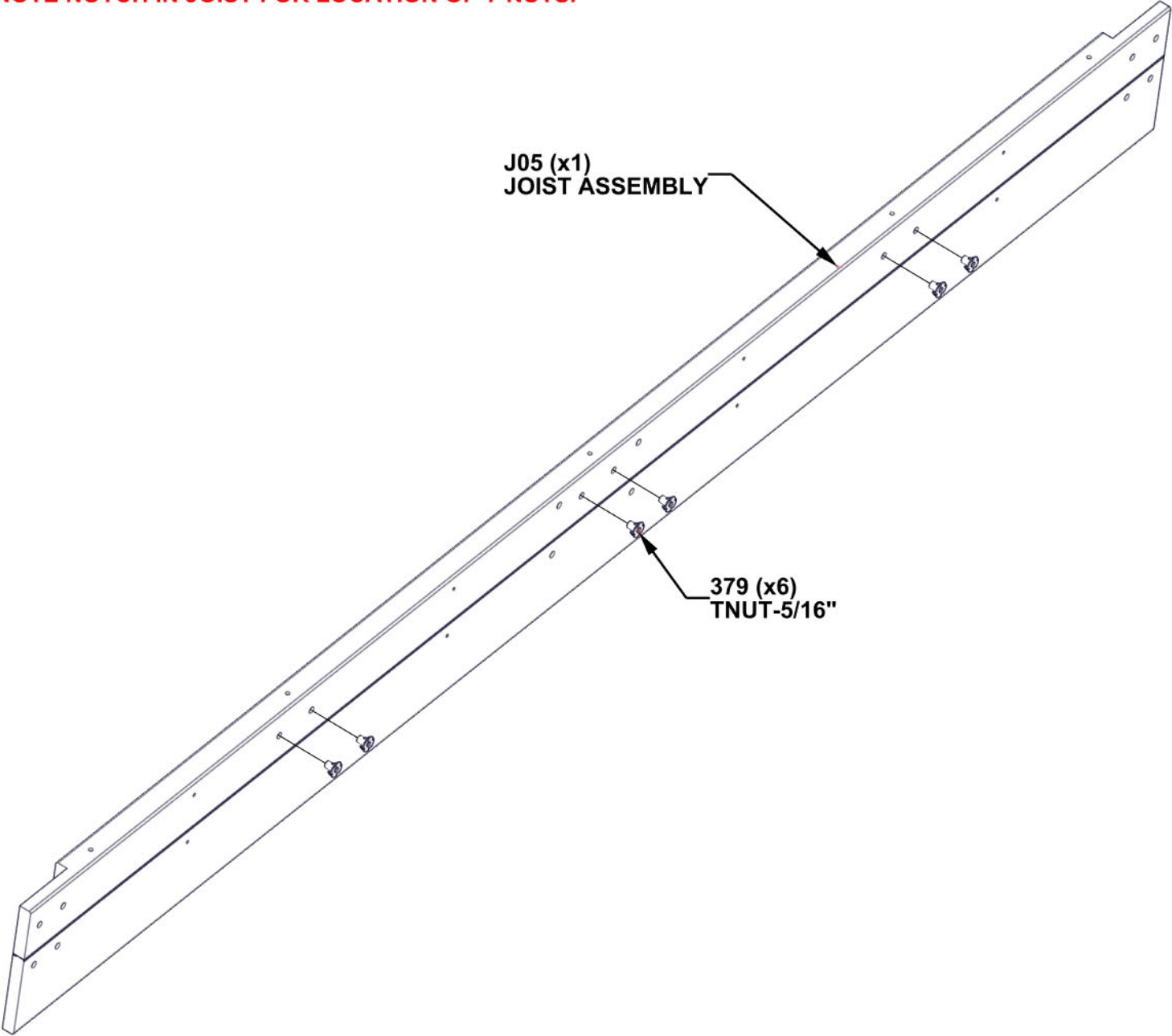
STEP 7B - REAR JOIST ASSEMBLY

QTY	PART NUMBER	DESCRIPTION
6	H100379	T-NUT 5/16 BLK



J05 JOIST ASSEMBLY - W2A03546
(x1) 1 7/16"x8 7/16"x95 1/16" (36x214x2414)

NOTE:
• NOTE NOTCH IN JOIST FOR LOCATION OF T-NUTS.

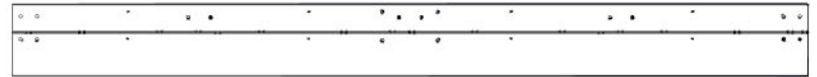


STEP 7C - REAR JOIST ASSEMBLY

QTY	PART NUMBER	DESCRIPTION
4	H100198	WASHER LOCK EXT 8x19
4	H100205	BOLT WH 5/16x2 1/4 BLK
4	H100379	TNUT-5/16" BLK



G05 FASCIA - W4L17303
(x2) 15/16"x5 1/4"x72 15/16" (24x134x1853)



JOIST ASSEMBLY FROM PREVIOUS STEP

NOTE NOTCH DIRECTION FOR BOARD ORIENTATION

JOIST ASSEMBLY FROM PREVIOUS STEP

G05 (x1) FASCIA

INSERT T-NUTS FIRST

NOTE HOLE ORIENTATION

1 1/2"
[38mm]

G05 (x1) FASCIA

379 (x4) TNUT-5/16"

198 (x4) WASHER - 8x19

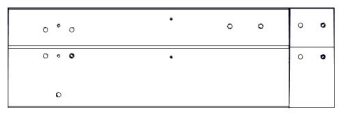
205 (x4) BOLT - 2 1/4"

STEP 7D - REAR JOIST ASSEMBLY

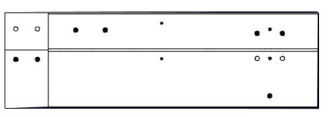
QTY	PART NUMBER	DESCRIPTION
8	H100198	WASHER LOCK EXT 8x19
8	H100379	TNUT-5/16" BLK
8	H100503	BOLT WH 5/16x3 1/2 BLK



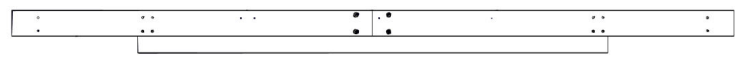
D01 CORBEL - W4L17290
(x2) 1 7/16"x5 1/4"x34 7/16" (36x134x874)



J04 JOIST FROM STEP 7A

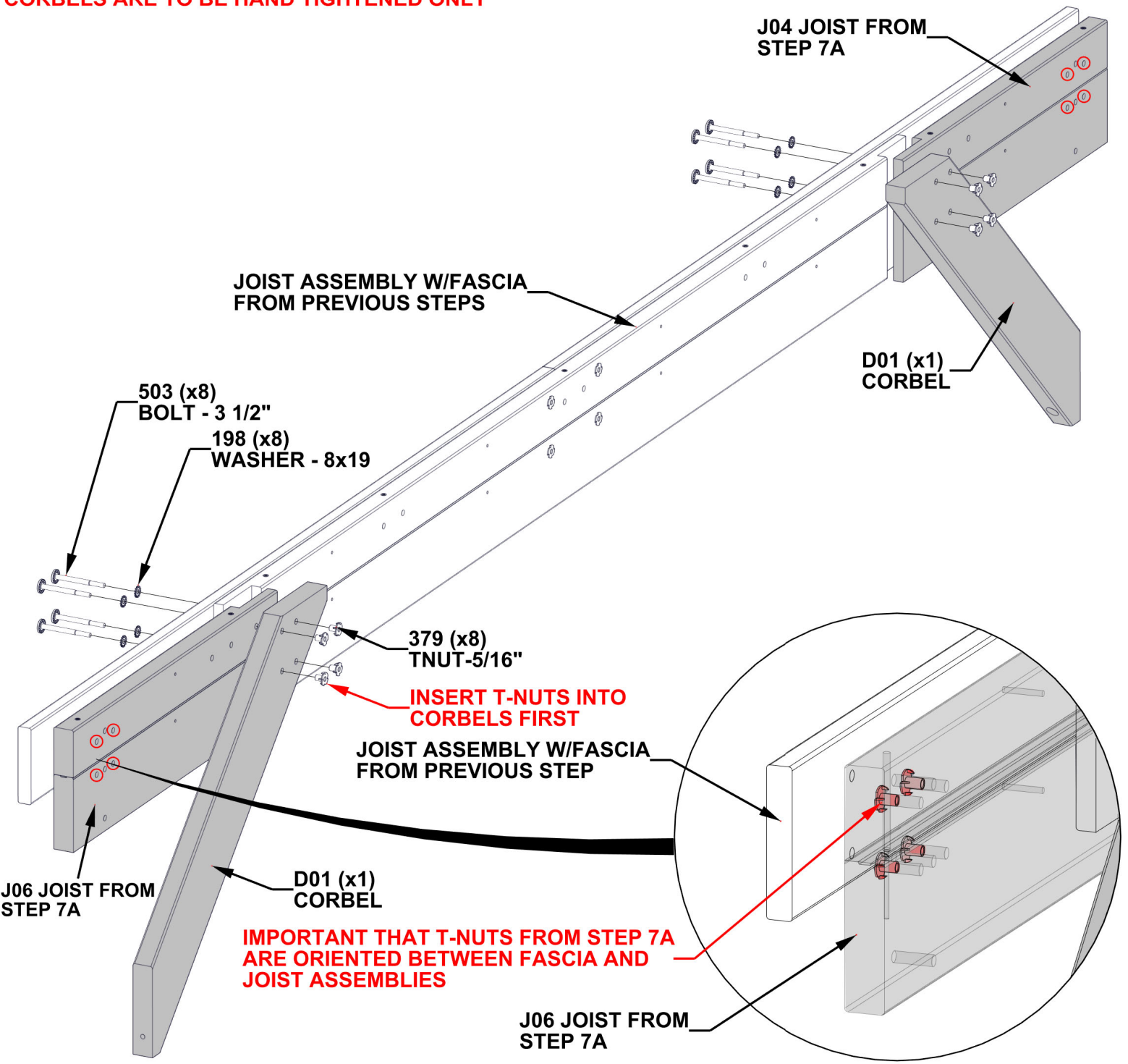


J06 JOIST FROM STEP 7A



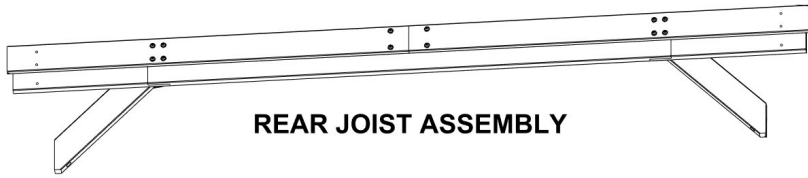
JOIST ASSEMBLY W/FASCIA FROM PREVIOUS STEPS

CORBELS ARE TO BE HAND TIGHTENED ONLY

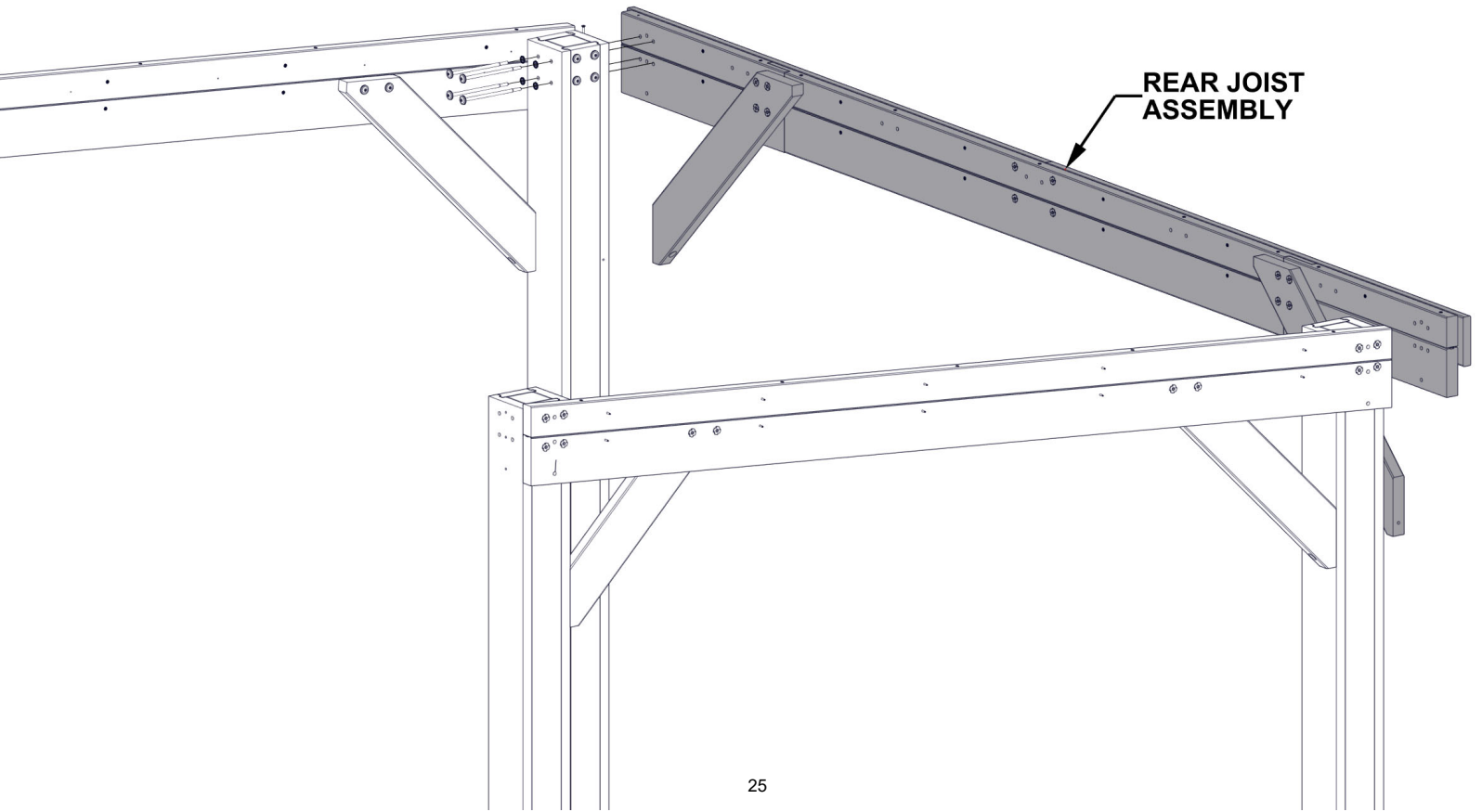
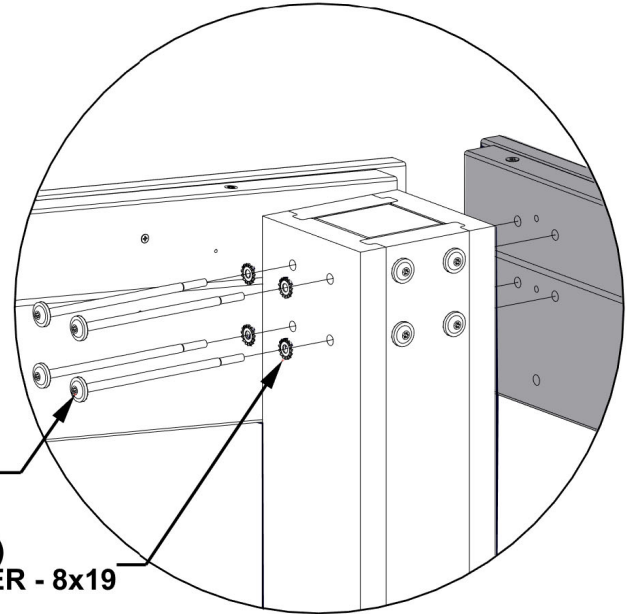
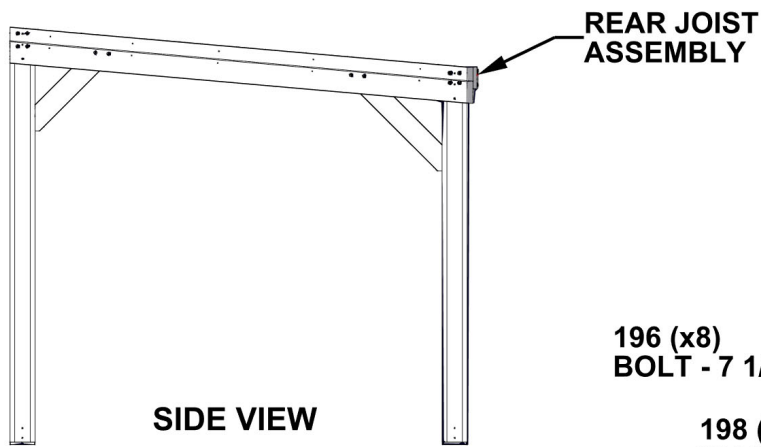


STEP 8A - GAZEBO ASSEMBLY

QTY	PART NUMBER	DESCRIPTION
8	H100196	BOLT WH 5/16x7 1/4 BLK
8	H100198	WASHER LOCK EXT 8x19

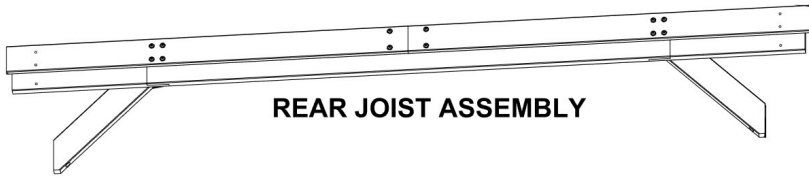


- NOTES:**
- ALIGN JOIST ASSEMBLY WITH HOLES IN POST.
 - IF BOLTS DO NOT ENGAGE WITH T-NUTS INSTALLED IN JOIST ASSEMBLY, CHECK FOR SAWDUST BUILD UP IN HOLES. CLEAN WITH A LONG SCREWDRIVER IF NEEDED.

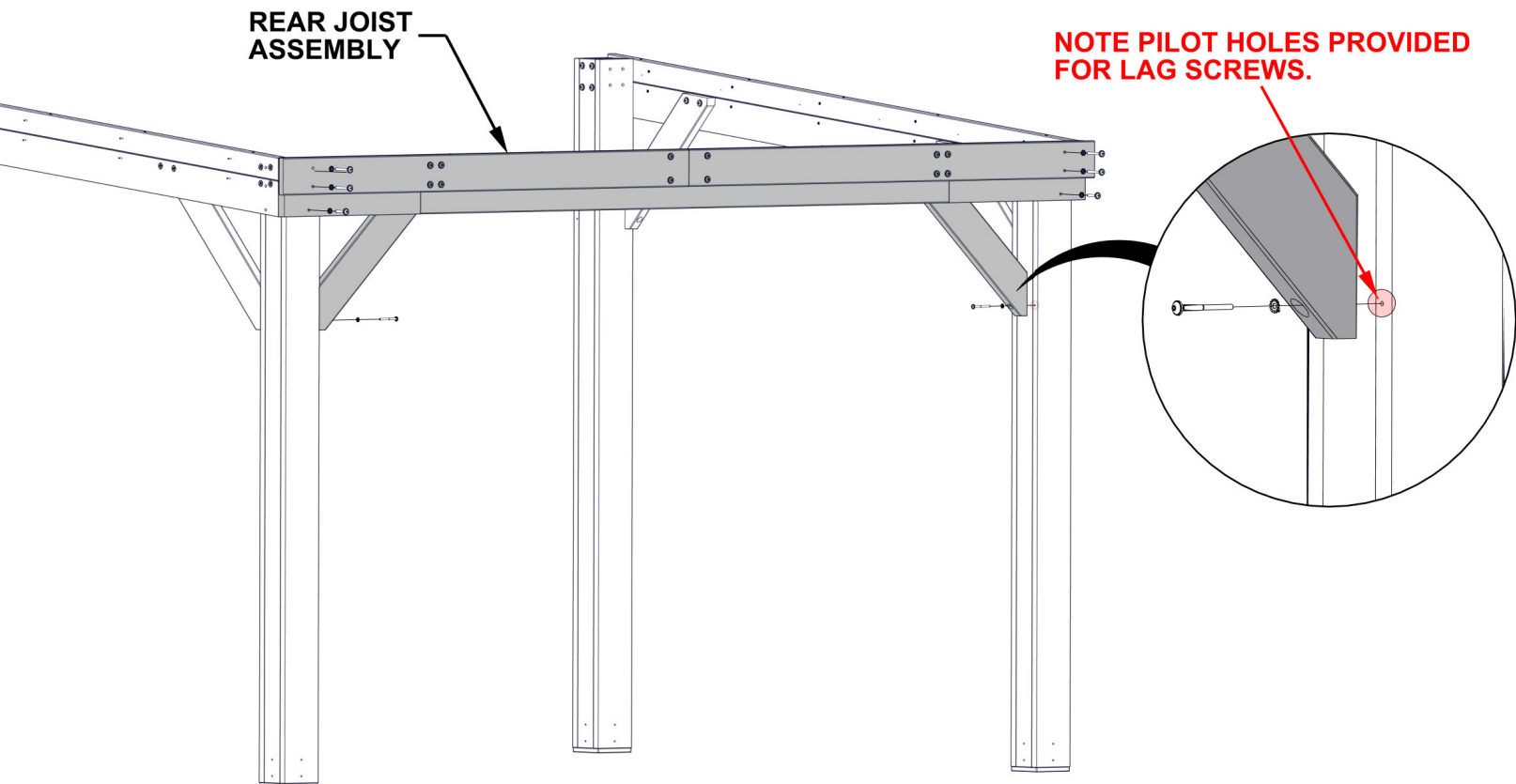
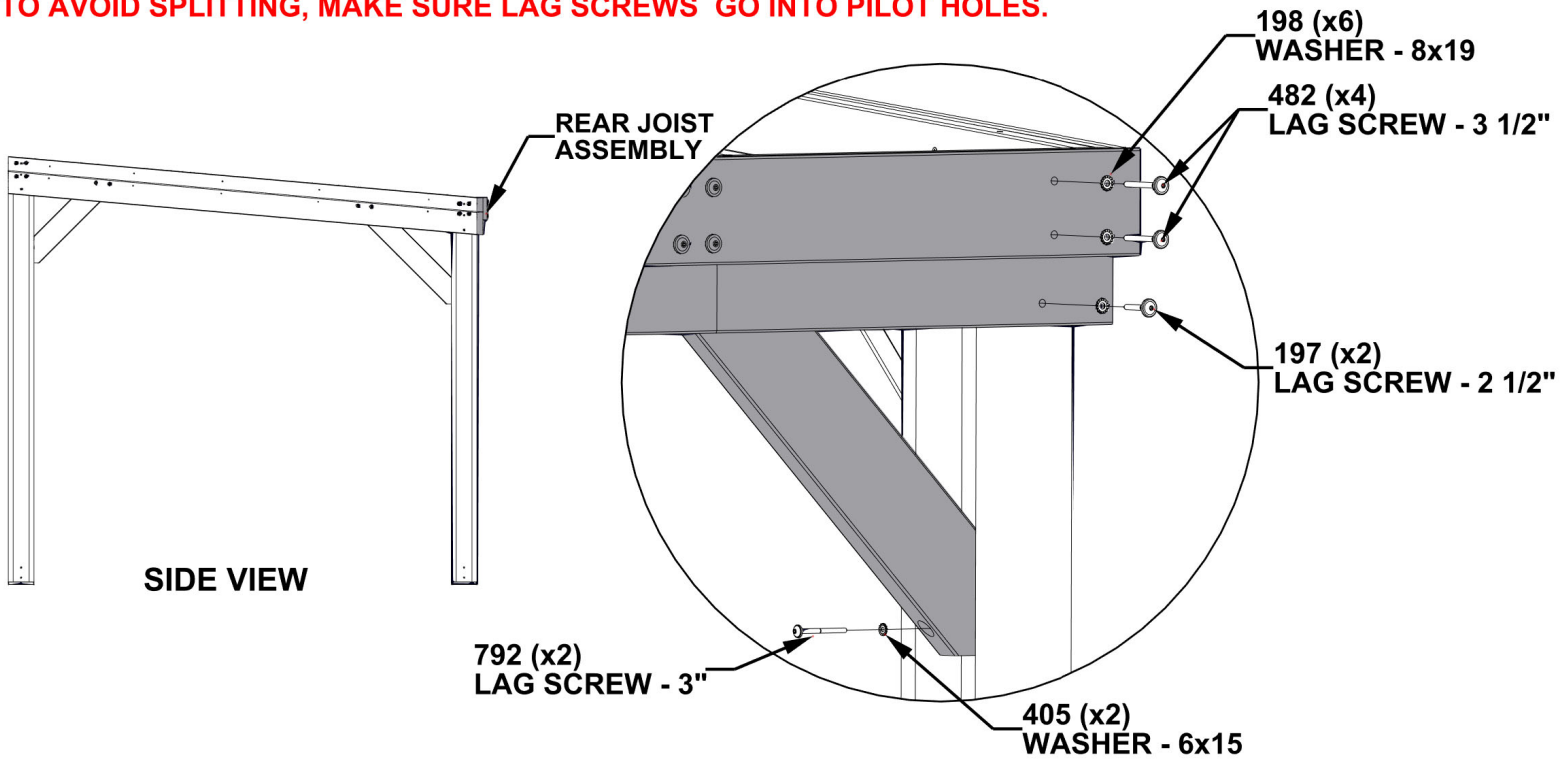


STEP 8B - GAZEBO ASSEMBLY

QTY	PART NUMBER	DESCRIPTION
2	H100197	LAG SCREW WH 5/16x2 1/2 BLK
6	H100198	WASHER LOCK EXT 8x19
2	H100405	WASHER LOCK EXT 6x15
4	H100482	LAG SCREW WH 5/16x3 1/2 BLK
2	H100792	LAG SCREW WH 1/4x3 BLK

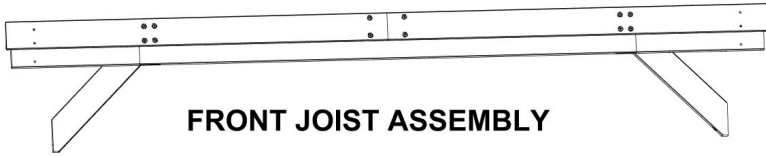


NOTES:
• TO AVOID SPLITTING, MAKE SURE LAG SCREWS GO INTO PILOT HOLES.



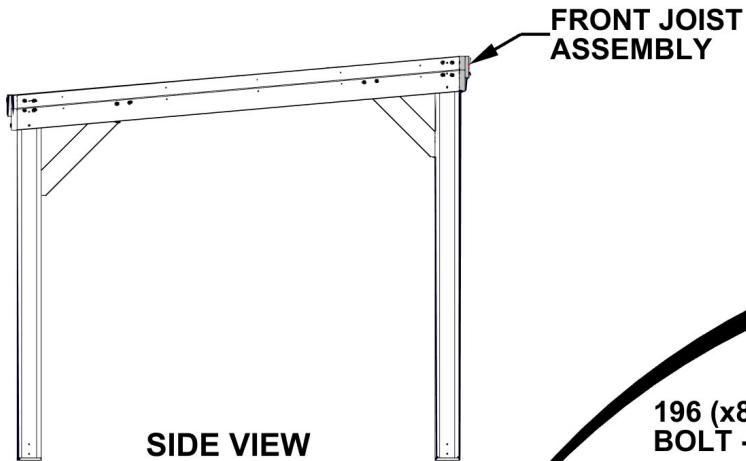
STEP 9A - GAZEBO ASSEMBLY

QTY	PART NUMBER	DESCRIPTION
8	H100196	BOLT WH 5/16x7 1/4 BLK
8	H100198	WASHER LOCK EXT 8x19

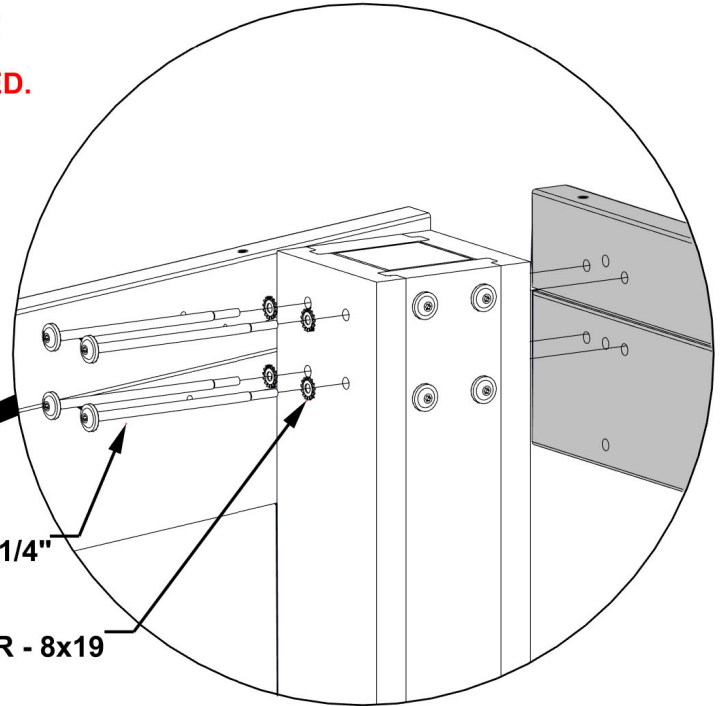


FRONT JOIST ASSEMBLY

- NOTES:**
- ALIGN JOIST ASSEMBLY WITH HOLES IN POST.
 - IF BOLTS DO NOT ENGAGE WITH T-NUTS INSTALLED IN JOIST ASSEMBLY, CHECK FOR SAWDUST BUILD UP IN HOLES. CLEAN WITH A LONG SCREWDRIVER IF NEEDED.

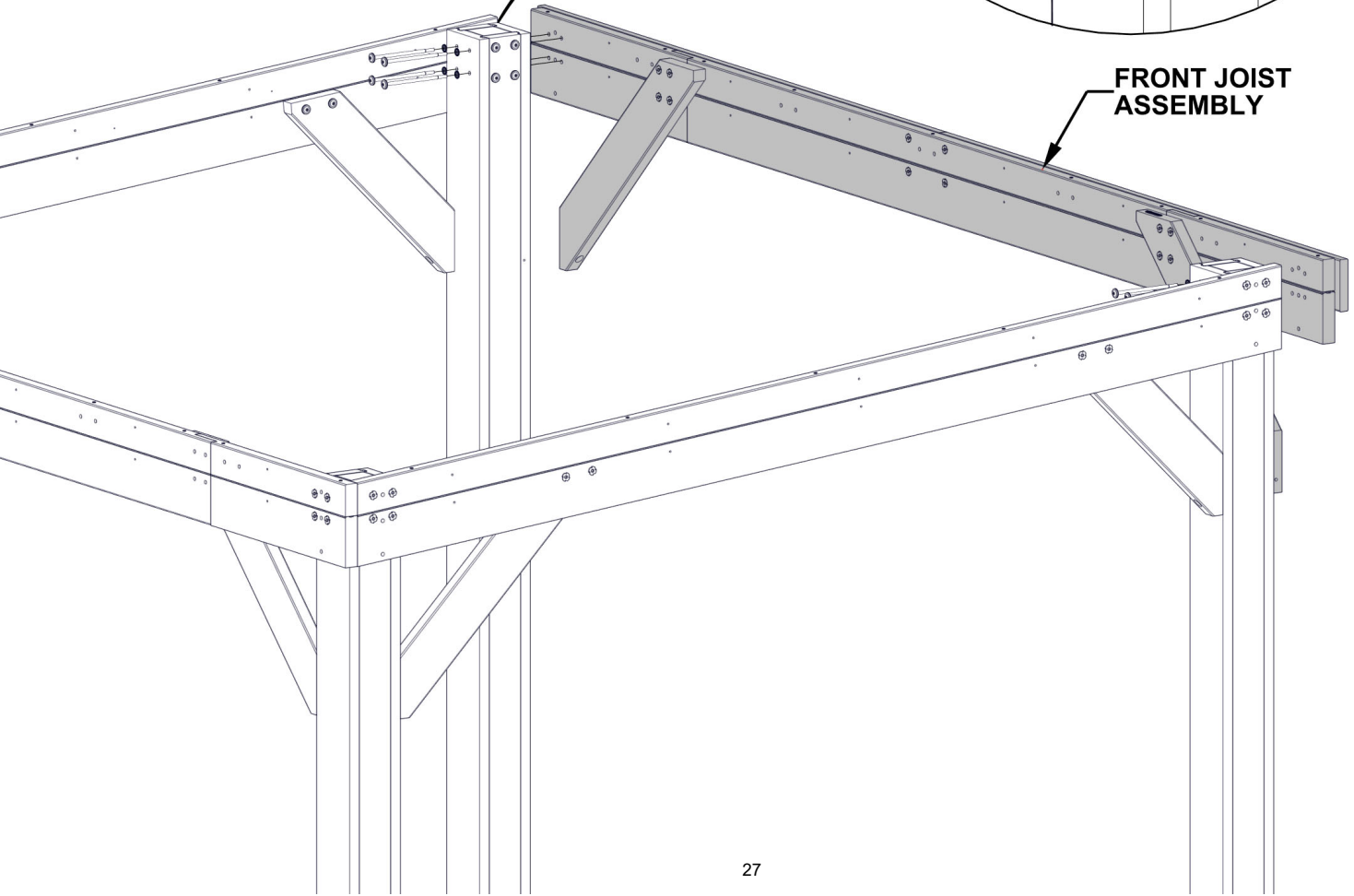


SIDE VIEW



196 (x8)
BOLT - 7 1/4"

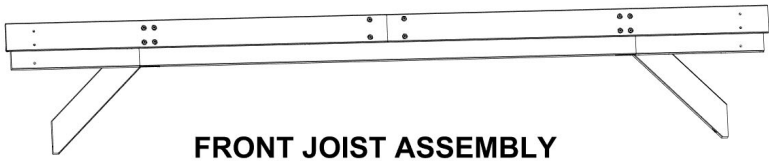
198 (x8)
WASHER - 8x19



FRONT JOIST ASSEMBLY

STEP 9B - GAZEBO ASSEMBLY

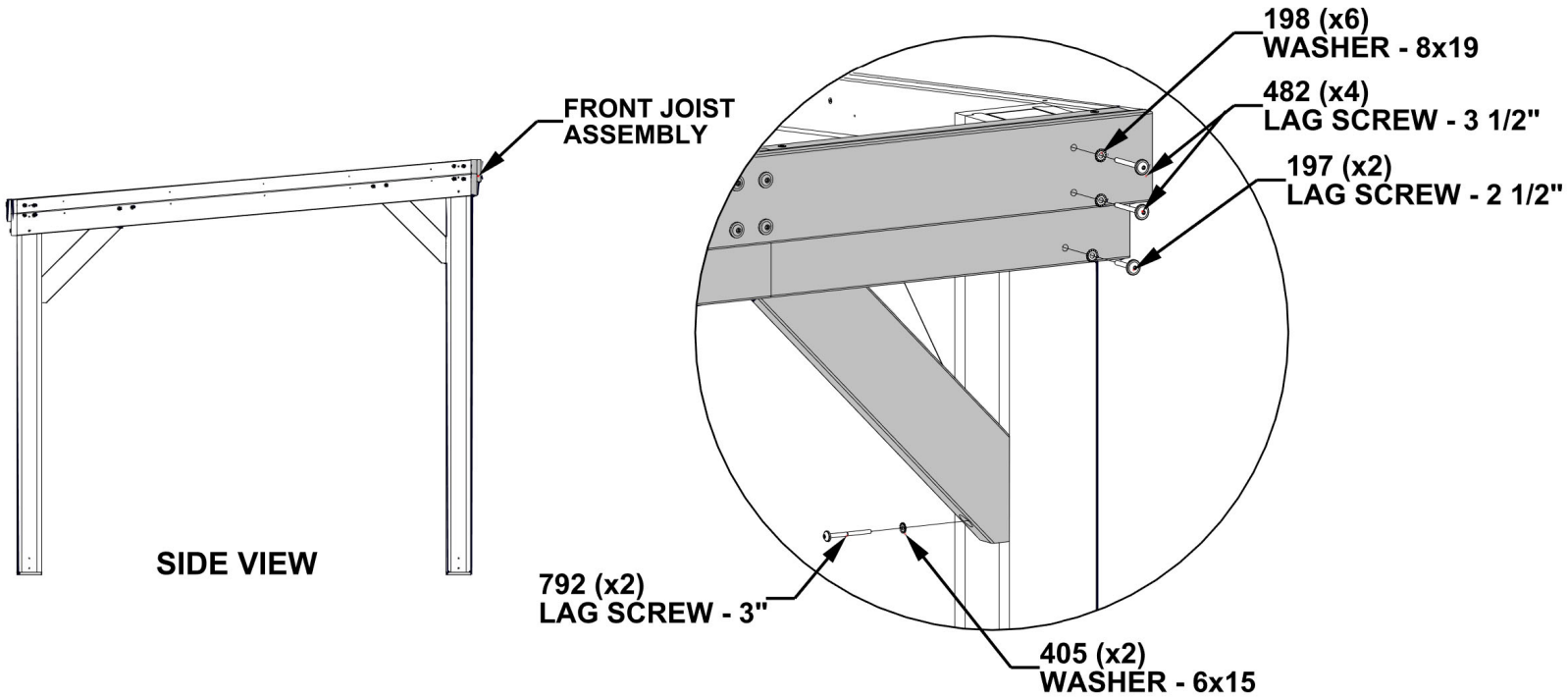
QTY	PART NUMBER	DESCRIPTION
2	H100197	LAG SCREW WH 5/16x2 1/2 BLK
6	H100198	WASHER LOCK EXT 8x19
2	H100405	WASHER LOCK EXT 6x15
4	H100482	LAG SCREW WH 5/16x3 1/2 BLK
2	H100792	LAG SCREW WH 1/4x3 BLK



FRONT JOIST ASSEMBLY

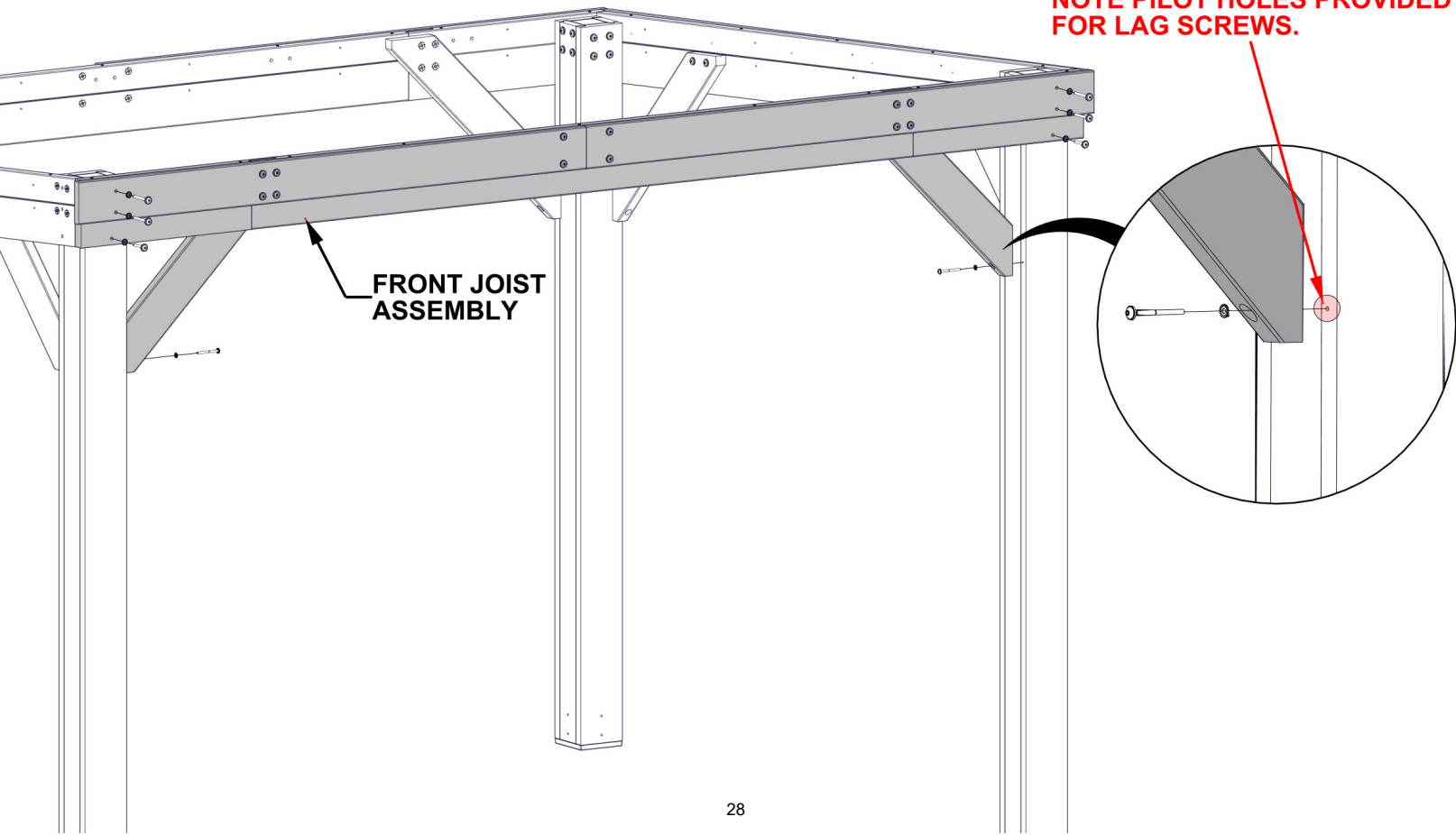
NOTES:

- TO AVOID SPLITTING, MAKE SURE LAG SCREWS GO INTO PILOT HOLES.



SIDE VIEW

NOTE PILOT HOLES PROVIDED FOR LAG SCREWS.

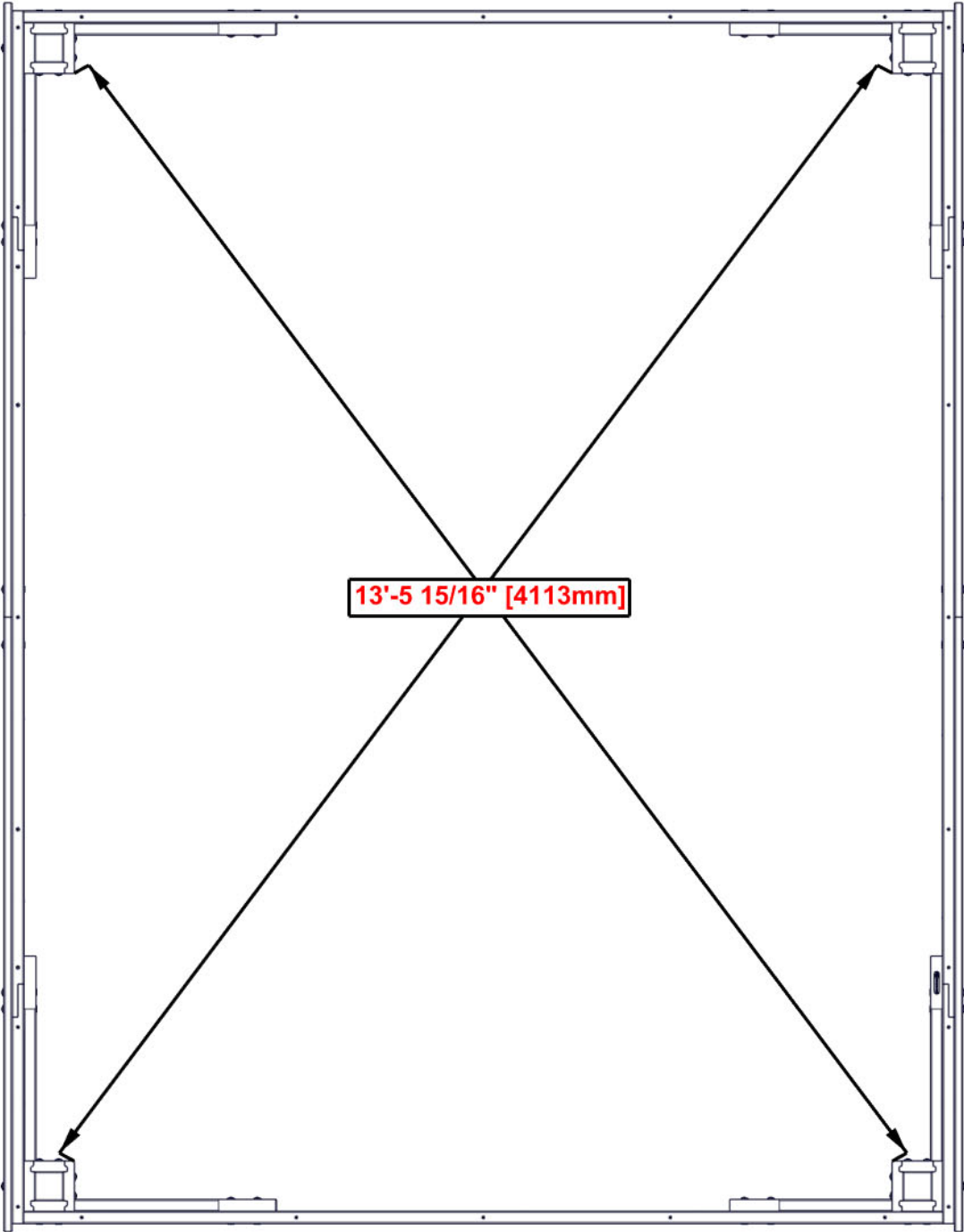


FRONT JOIST ASSEMBLY

STEP 9C - GAZEBO ASSEMBLY

**CRITICAL: SQUARE ASSEMBLY BEFORE PROCEEDING TO NEXT STEPS.
ONCE ASSEMBLY IS SQUARED, FULLY TIGHTEN ALL HARDWARE**

MEASUREMENTS TAKE FROM INSIDE POST CORNER TO INSIDE POST CORNER



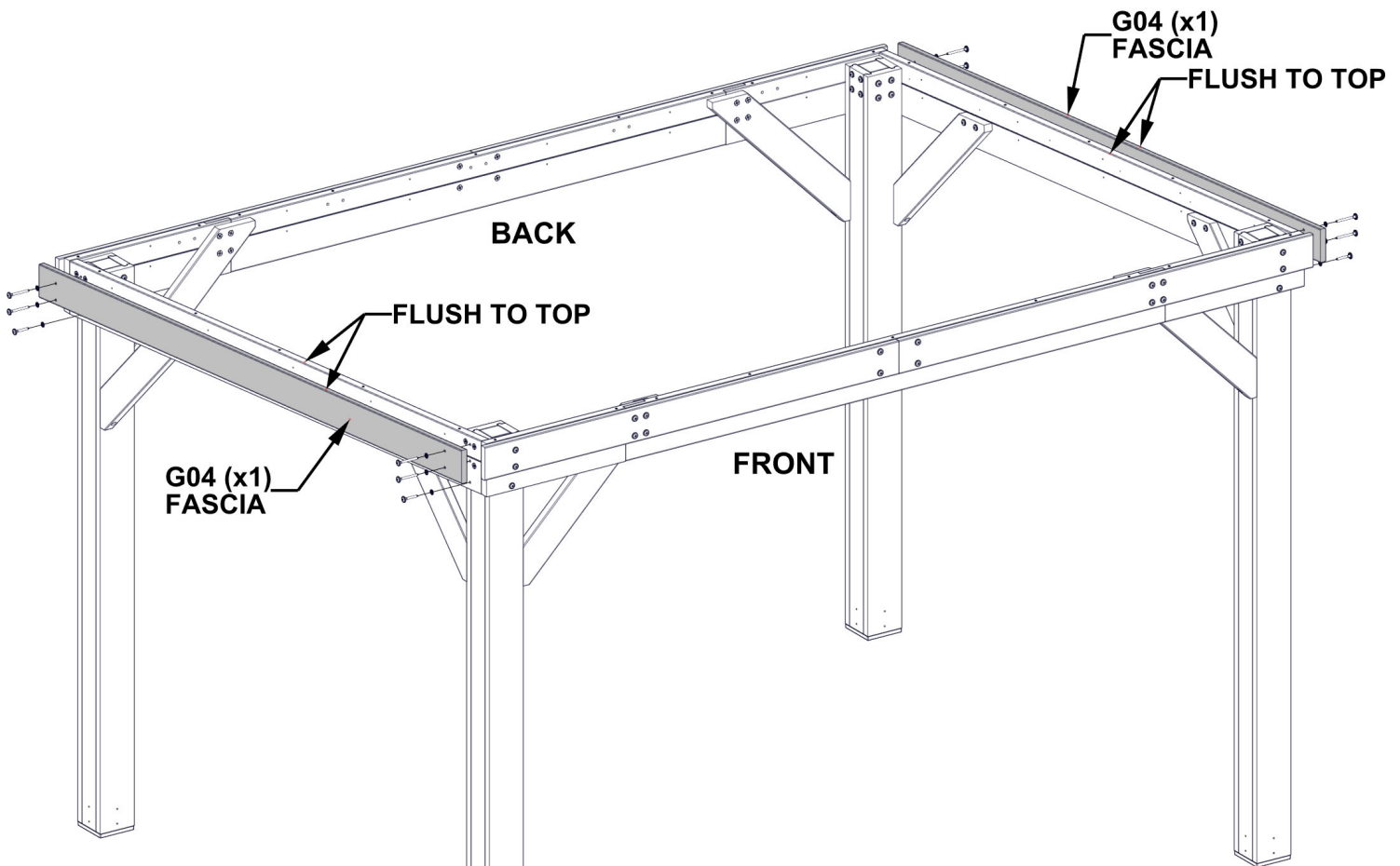
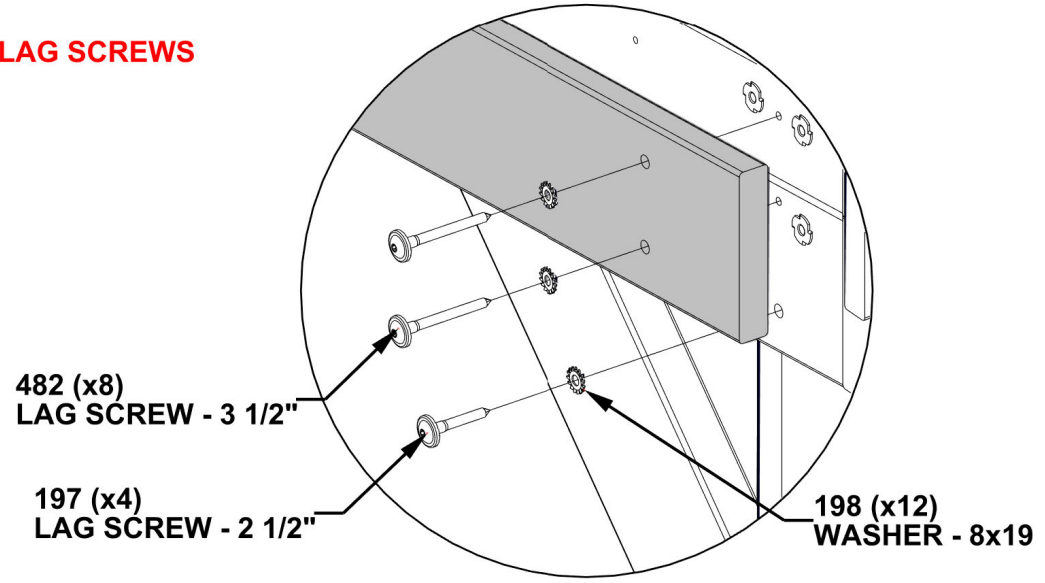
STEP 10 - GAZEBO ASSEMBLY

QTY	PART NUMBER	DESCRIPTION
4	H100197	LAG SCREW WH 5/16x2 1/2 BLK
12	H100198	WASHER LOCK EXT 8x19
8	H100482	LAG SCREW WH 5/16x3 1/2 BLK



G04 FASCIA - W4L17304
 (x2) 15/16"x5 1/4"x112 13/16" (24x134x2866)

NOTES:
 • TO AVOID SPLITTING, MAKE SURE LAG SCREWS GO INTO PILOT HOLES.

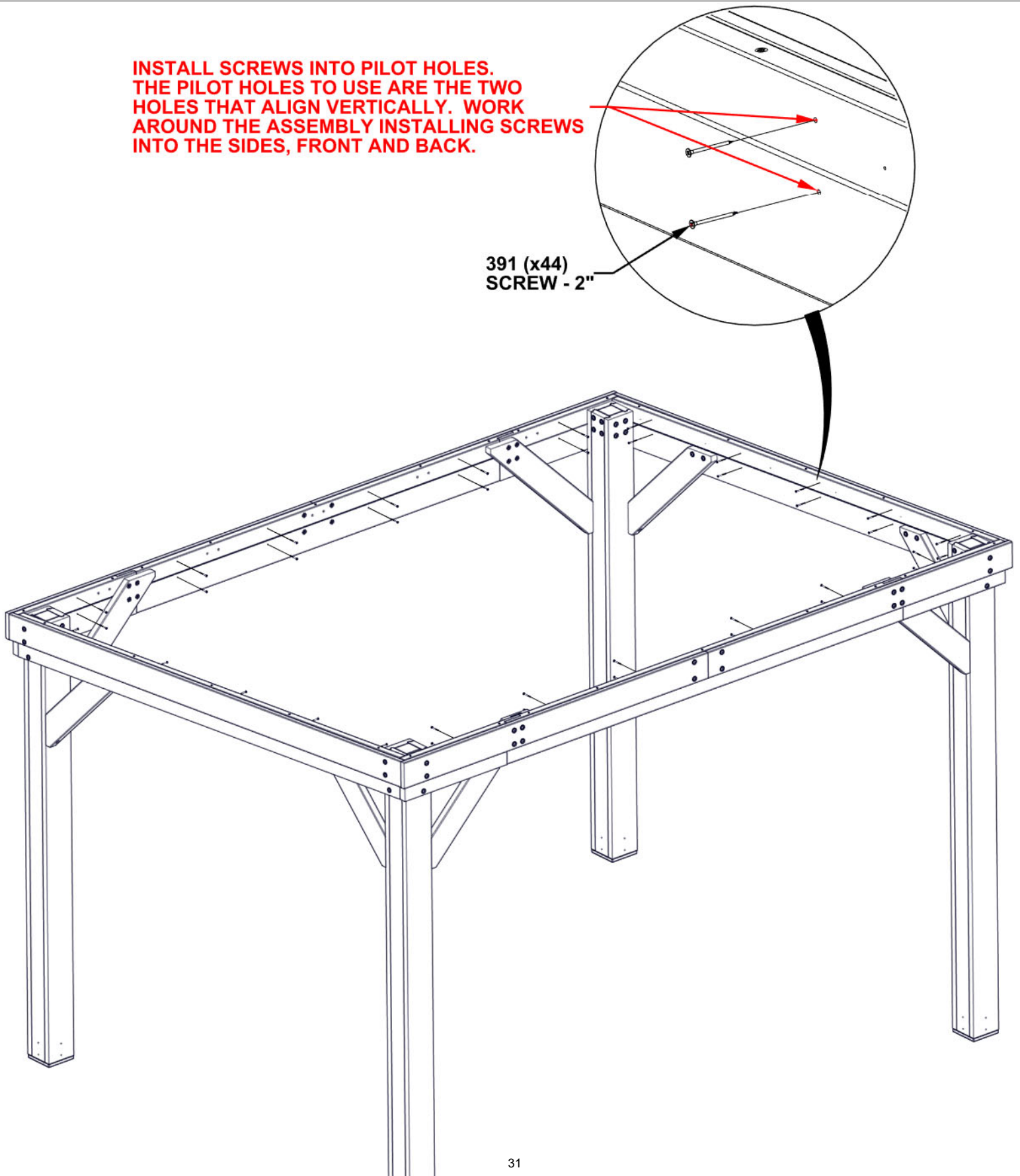


STEP 11 - GAZEBO ASSEMBLY

QTY	PART NUMBER	DESCRIPTION
44	H100391	SCREW PFH 8x2 BLK

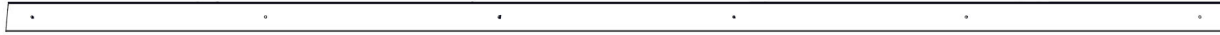
INSTALL SCREWS INTO PILOT HOLES. THE PILOT HOLES TO USE ARE THE TWO HOLES THAT ALIGN VERTICALLY. WORK AROUND THE ASSEMBLY INSTALLING SCREWS INTO THE SIDES, FRONT AND BACK.

**391 (x44)
SCREW - 2"**



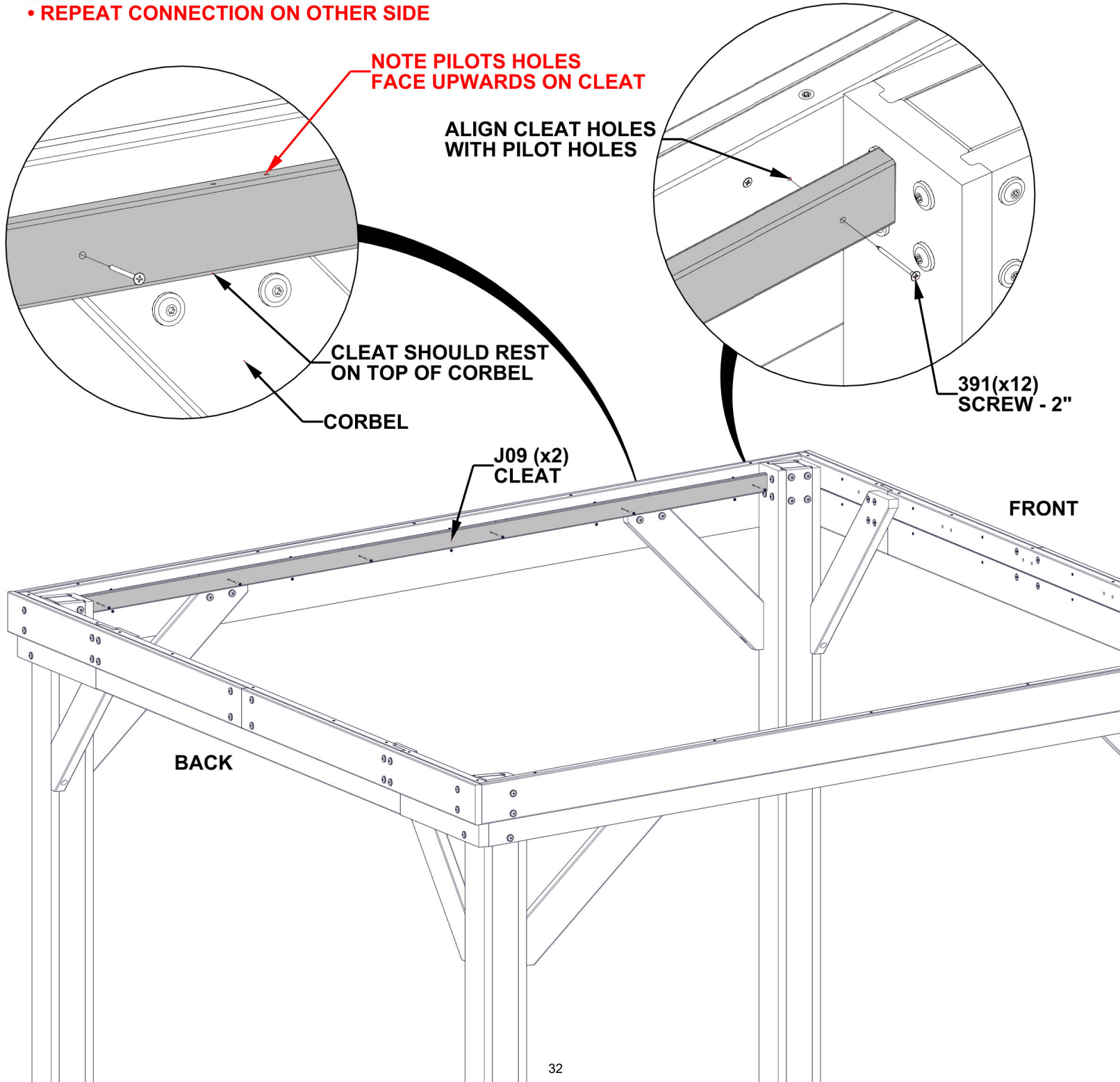
STEP 12 - GAZEBO ASSEMBLY

QTY	PART NUMBER	DESCRIPTION
12	H100391	SCREW PFH 8x2 BLK



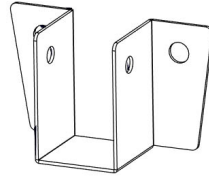
J09 CLEAT - W4L17306
(x2) 15/16"x2 3/8"x97 9/16" (24x60x2479)

NOTE:
• REPEAT CONNECTION ON OTHER SIDE



STEP 13 - GAZEBO ASSEMBLY

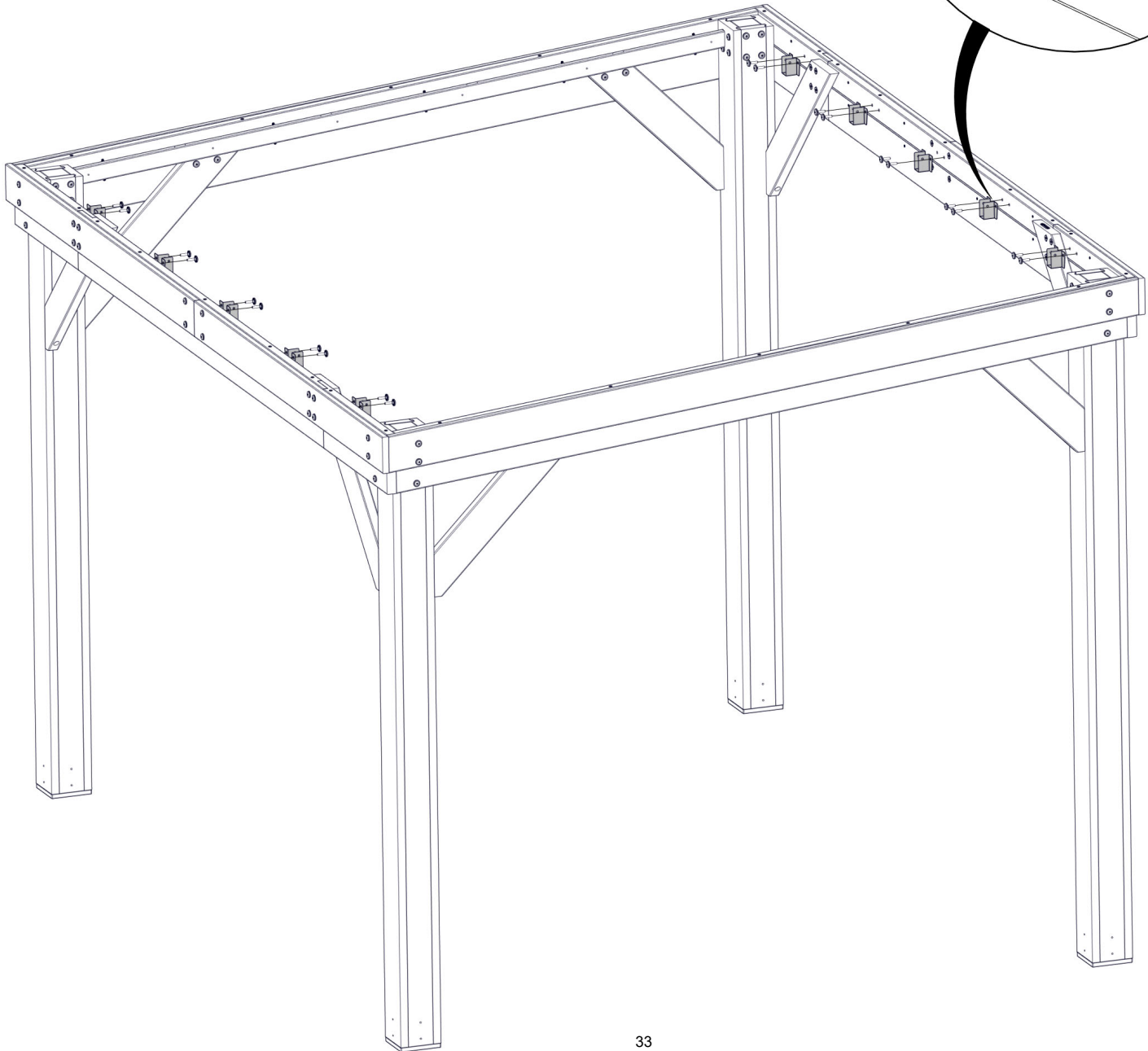
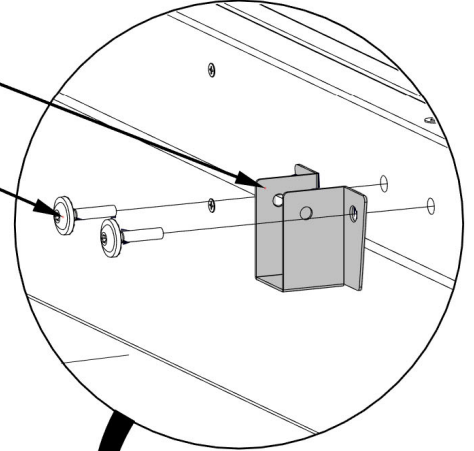
QTY	PART NUMBER	DESCRIPTION
20	H100459	BOLT WH 5/16x1 1/4 BLK



A4M01787 RAFTER BRACKET
(x10)

1787 (x10)
RAFTER BRACKET

459 (x20)
BOLT - 1 1/4"



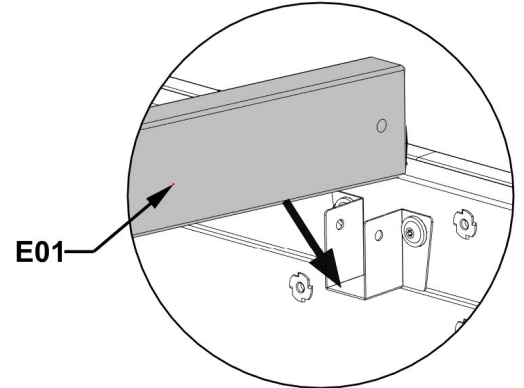
STEP 14 - GAZEBO ASSEMBLY

QTY	PART NUMBER	DESCRIPTION
10	H100488	BOLT WH 1/4x2 BLK
10	H100630	WASHER FLAT 8x19 BLK
10	H100653	NUT LOCK 1/4 BLK

E01 RAFTER - W4L17300
 (x5) 1 7/16"x3 3/8"x109 3/4" (36x86x2787)

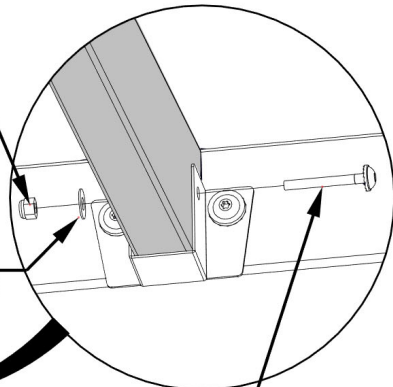
NOTES:

- INSERT RAFTERS INTO BRACKETS
- ATTACH RAFTERS TO BRACKETS USING 2" BOLTS, FLAT WASHERS & LOCK NUTS
- NOTCHES IN ALL RAFTERS WILL FACE UPWARDS.



E01

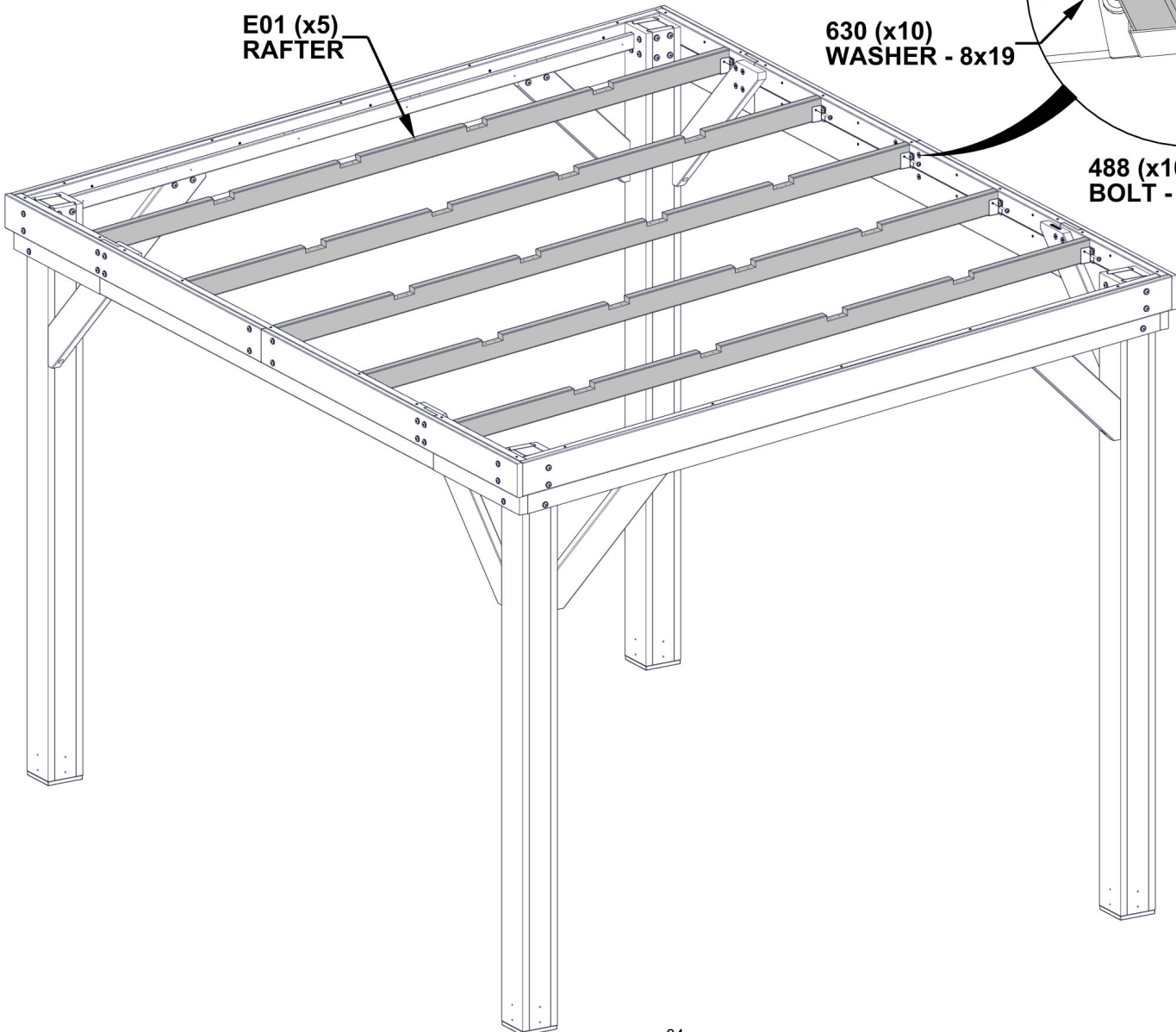
653 (x10)
 LOCK NUT - 1/4"



630 (x10)
 WASHER - 8x19

488 (x10)
 BOLT - 2"

E01 (x5)
 RAFTER

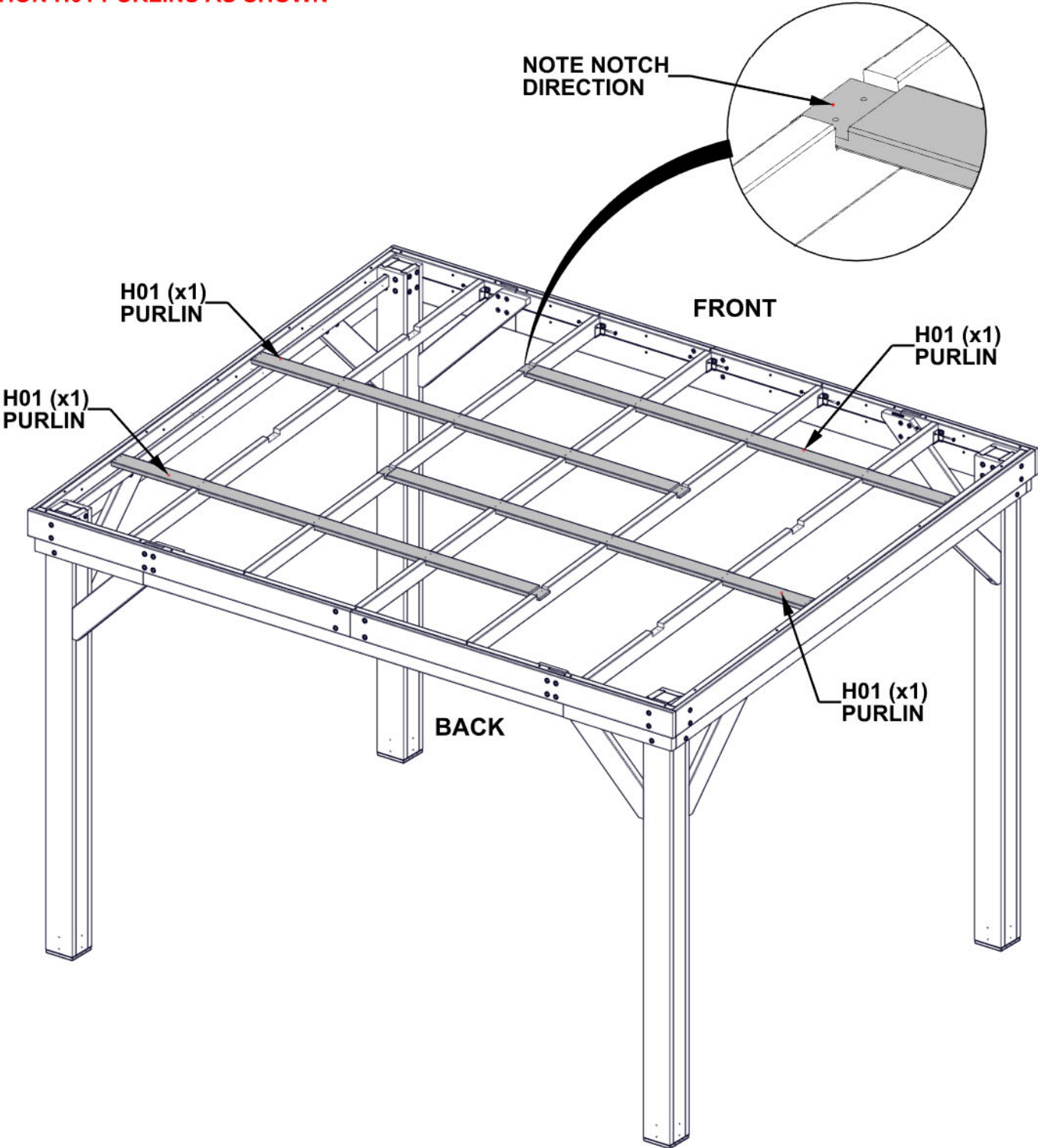


STEP 15 - GAZEBO ASSEMBLY



H01 PURLIN - W4L17301
(x4) 15/16"x3 3/8"x96 7/8" (24x86x2461)

NOTES:
• POSITION H01 PURLINS AS SHOWN



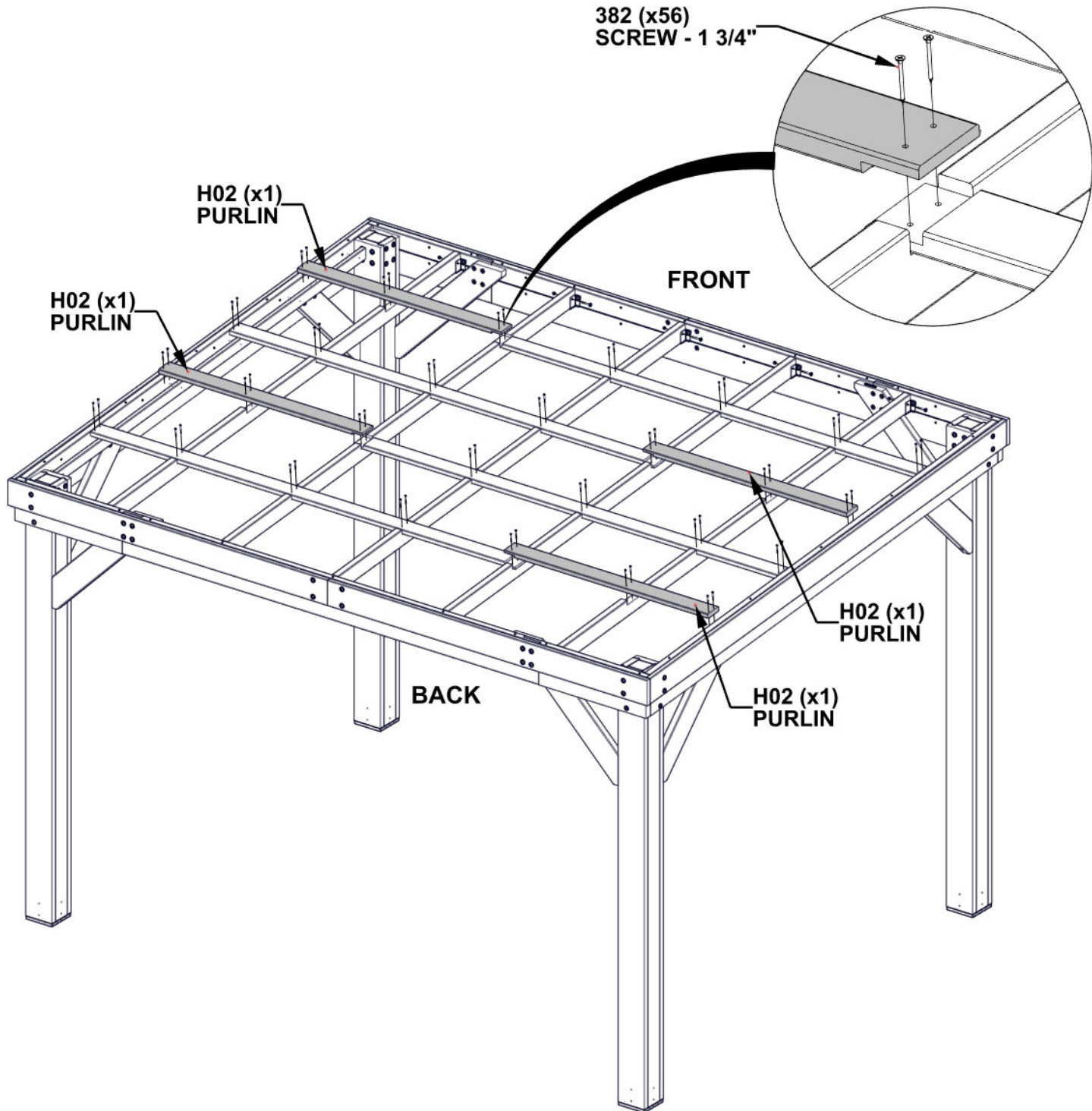
STEP 16 - GAZEBO ASSEMBLY

QTY	PART NUMBER	DESCRIPTION
56	H100382	SCREW PFH 8x1 3/4 BLK



H02 PURLIN - W4L17302
 (x4) 15/16"x3 3/8"x46 1/2" (24x86x1181)

- NOTES:**
- ALIGN PURLIN HOLES WITH RAFTER PILOT HOLES.
 - ATTACH SCREWS FROM CENTER AND WORK OUTWARDS



STEP 17A - GAZEBO ASSEMBLY



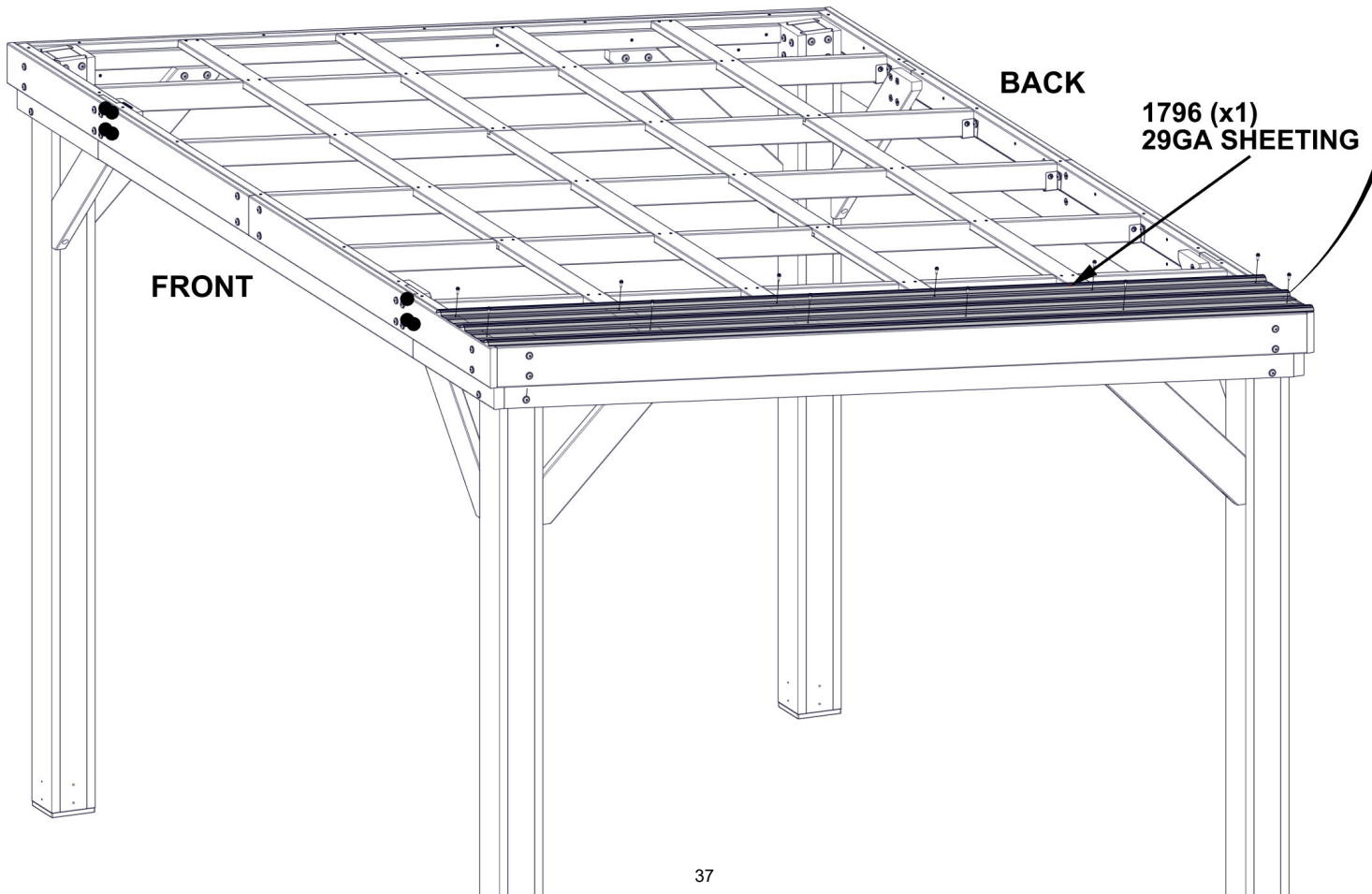
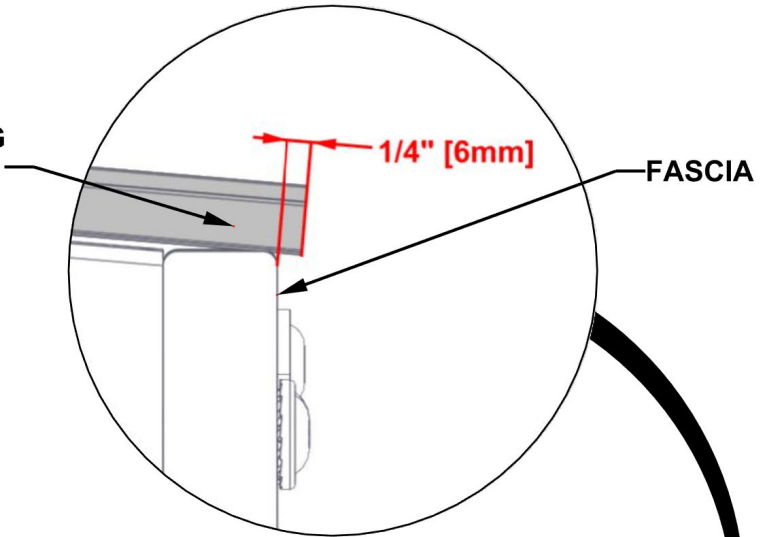
A4M01796 29GA SHEETING
(x1)

WARNING GLOVES ARE RECOMMENDED WHEN HANDLING STEEL ROOF PIECES.

NOTES:

- REMOVE BLUE FILM FROM ROOF PANELS.
- IT IS IMPORTANT THAT YOU POSITION THE ROOF PANELS AS SHOWN SO THE TRIM PIECES WILL FIT CORRECTLY IN FUTURE STEPS.
- STARING AT THE BACK OF THE GAZEBO, POSITION TO FIRST ROOF PANEL WITH A 1/4" OVERHANG OFF THE BACK SIDE AND A 1/4" GAP AT THE SIDE.
- IT IS IMPORTANT TO MAINTAIN THE 1/4" SIDE GAP FROM THE BACK OF THE GAZEBO TO THE FRONT.
- ATTACH PANEL AS SHOWN.
- DO NOT GET ON THE ROOF TO ATTACH SCREWS.

ORIENT FIRST PANEL WITH A 1/4" OVERHANG OFF OF THE BACK SIDE AS SHOWN. SEE STEP 17B FOR FASTENING REQUIREMENTS.

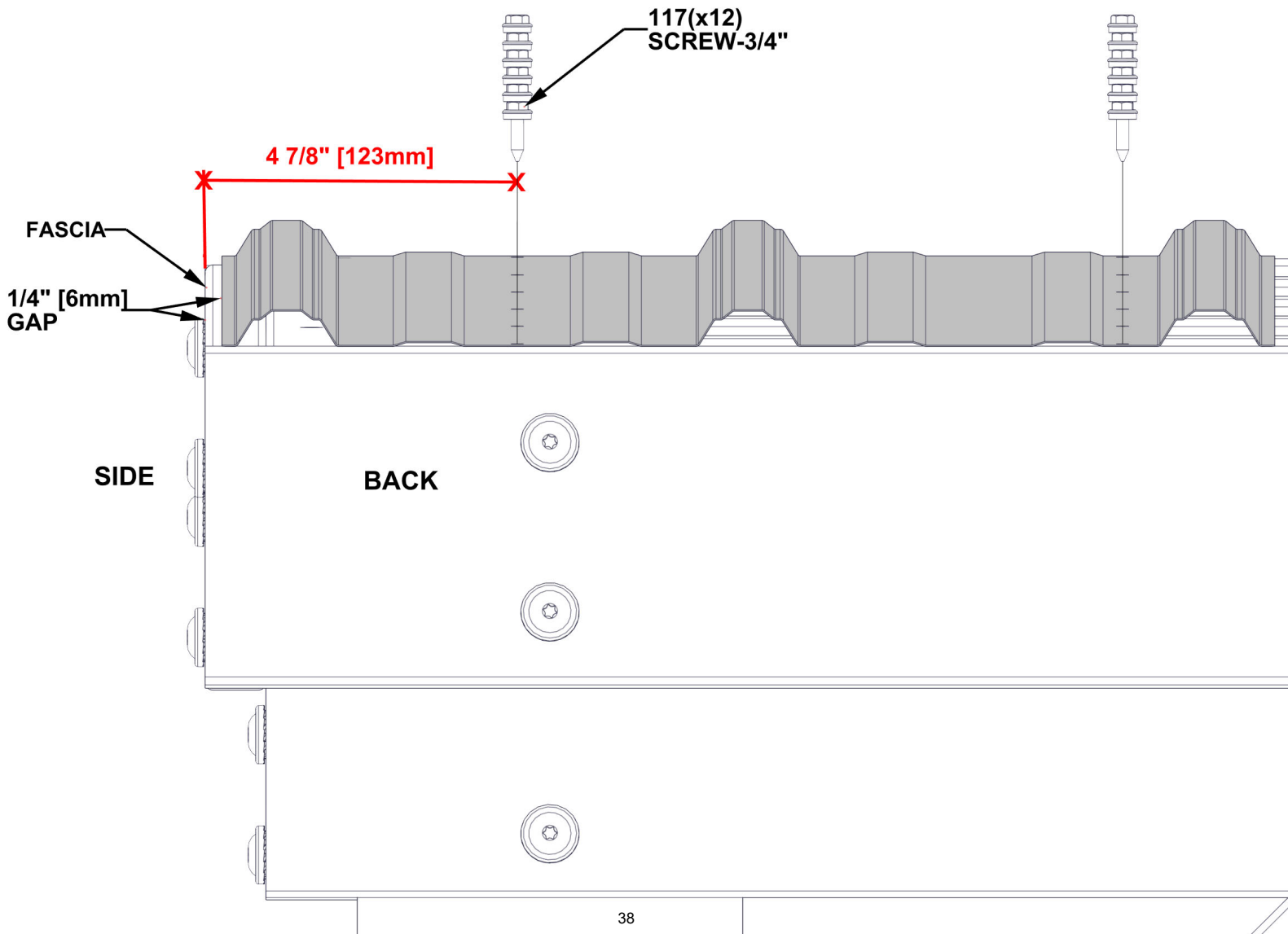


STEP 17B - GAZEBO ASSEMBLY

QTY	PART NUMBER	DESCRIPTION
12	H101117	SCREW WOODGRIP 10-16x3/4" BLK

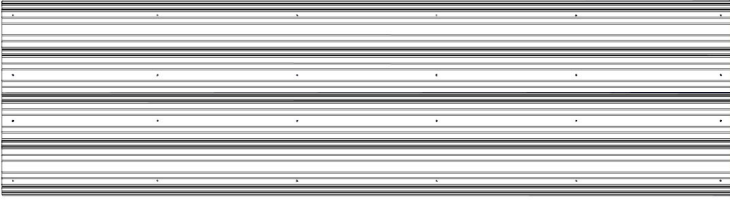
WARNING: GLOVES ARE RECOMMENDED WHEN HANDLING STEEL ROOF PIECES.

- NOTES:**
- REMOVE BLUE FILM FROM ROOF PANELS.
 - IT IS IMPORTANT THAT YOU POSITION THE ROOF PANELS AS SHOWN SO THE TRIM PIECES WILL FIT CORRECTLY IN FUTURE STEPS.
 - STARTING AT THE BACK OF THE GAZEBO, POSITION TO FIRST ROOF PANEL WITH A 1/4" OVERHANG OFF THE BACK SIDE AND A 1/4" GAP AT THE SIDE.
 - IT IS IMPORTANT TO MAINTAIN THE 1/4" SIDE GAP FROM THE BACK OF THE GAZEBO TO THE FRONT.
 - ATTACH PANEL AS SHOWN.
 - DO NOT GET ON THE ROOF TO ATTACH SCREWS.



STEP 18 - GAZEBO ASSEMBLY

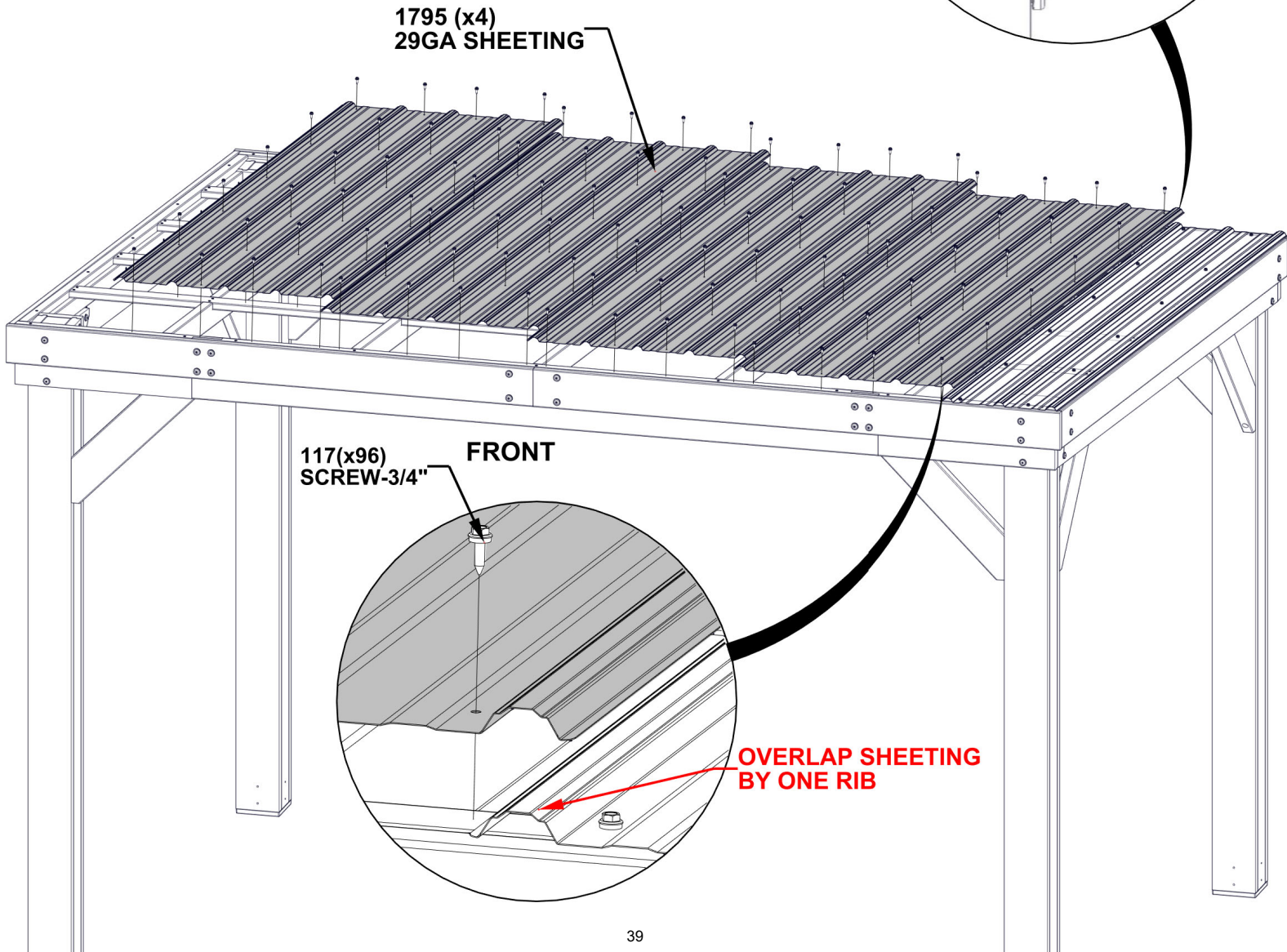
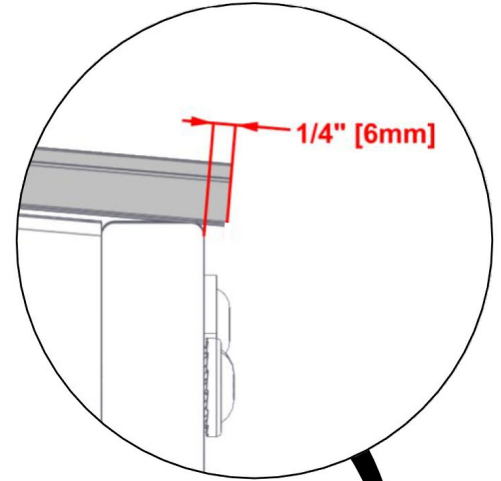
QTY	PART NUMBER	DESCRIPTION
96	H101117	SCREW WOODGRIP 10-16x3/4" BLK



A4M01795 29GA SHEETING
(x4)

NOTES:

- ENSURE THAT THE NEXT PANEL OVERHANGS THE BACK SIDE OF THE GAZEBO BY 1/4".
- OVERLAP THE PANEL BY ONE RIB AS SHOWN BELOW.
- ATTACH AND FULLY TIGHTEN ALL SCREWS ON EACH PANEL BEFORE ATTACHING THE NEXT PANEL.
- REPEAT ON ALL PANELS.
- DO NOT GET ON THE ROOF TO ATTACH SCREWS.



STEP 19 - GAZEBO ASSEMBLY

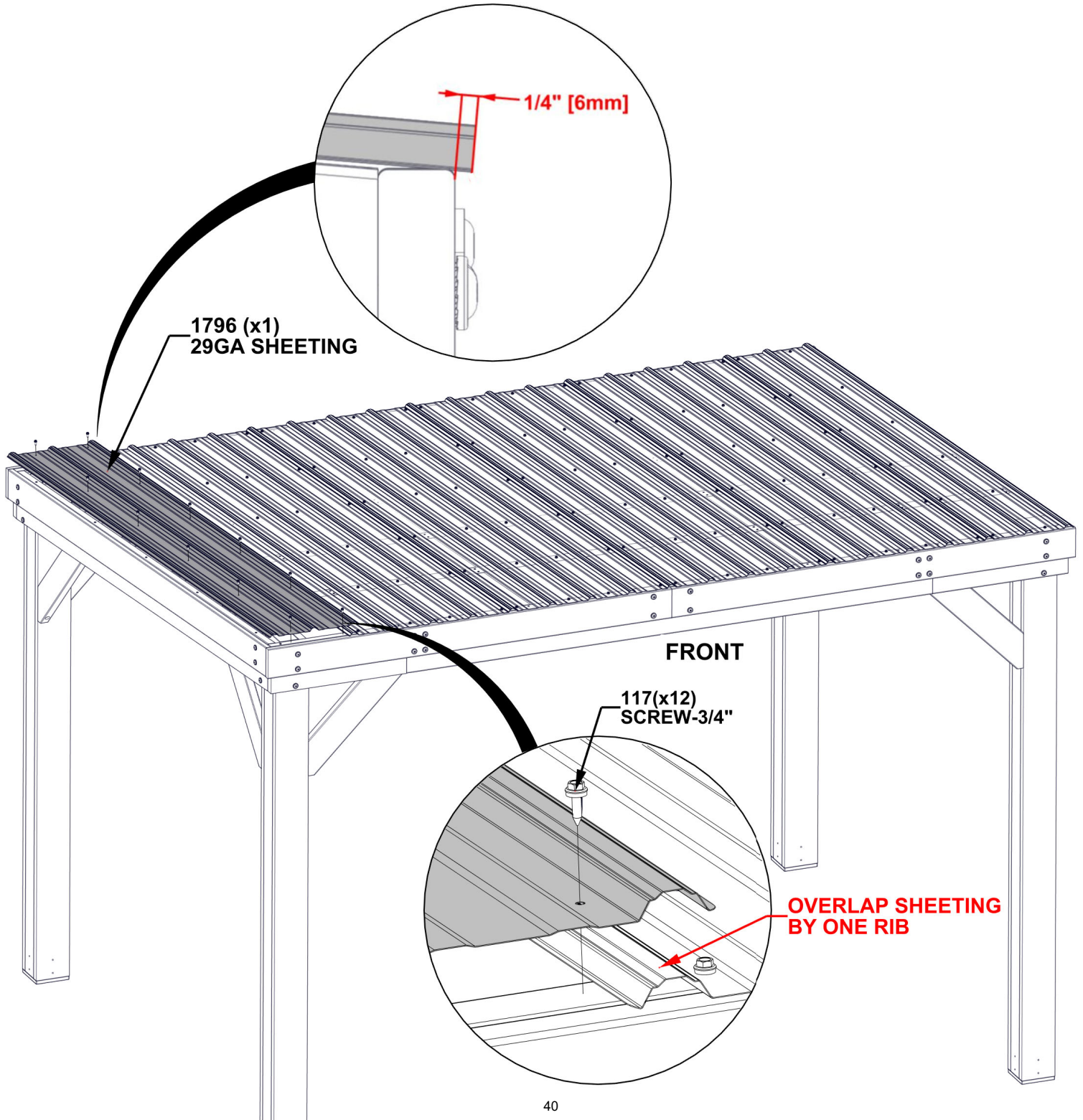
QTY	PART NUMBER	DESCRIPTION
12	H101117	SCREW WOODGRIP 10-16x3/4" BLK



A4M01796 29GA SHEETING
(x1)

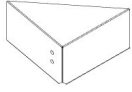
NOTES:

- ENSURE PANEL OVERHANGS THE BACK SIDE OF THE GAZEBO BY 1/4".
- OVERLAP PANEL BY ONE RIB AS SHOWN BELOW.
- DO NOT GET ON THE ROOF TO ATTACH SCREWS.

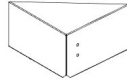


STEP 20 - GAZEBO ASSEMBLY

QTY	PART NUMBER	DESCRIPTION
7	H101116	SCREW SELF TAPPING 1/4x1 BLK



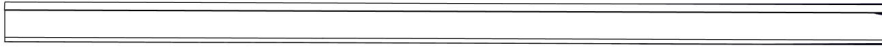
A4M01893 CORNER SPLICE TRIM LH
(x1)



A4M01800 CORNER SPLICE TRIM RH
(x1)

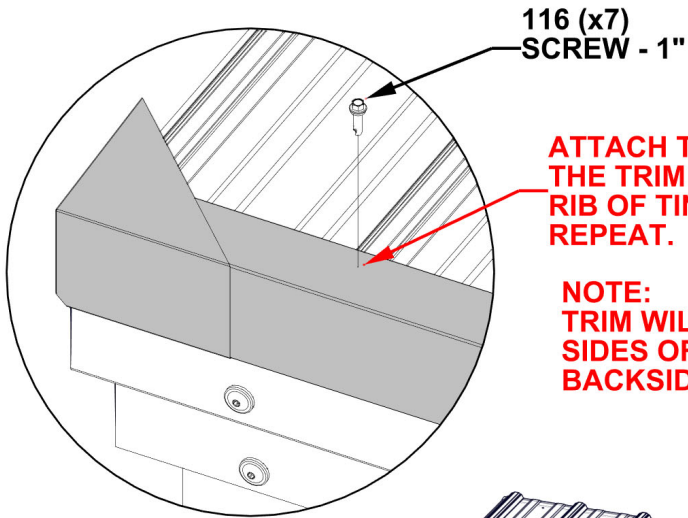


A4M01799 EDGE TRIM SPLICE
(x1)



A4M01798 EDGE TRIM LONG
(x2)

LAYOUT EDGE TRIM, EDGE TRIM SPLICE AND CORNER SPLICE TRIM AS SHOWN BELOW. SLIDE TRIM PIECES INTO SPLICE. ATTACH CORNER SPLICES BY SLIDING ONTO EDGE TRIM. SCREW AS NOTED IN DETAIL



116 (x7)
SCREW - 1"

ATTACH THIS SCREW THROUGH THE TRIM AND INTO THE 2ND RIB OF TIN, SKIP TWO RIBS AND REPEAT.

**NOTE:
TRIM WILL ONLY BE INSTALLED ON THE FRONT AND SIDES OF UNIT. NO TRIM WILL BE INSTALLED ON BACKSIDE TO ALLOW FOR DRAINAGE**

1893(x1)
CORNER SPLICE TRIM LH

1798 (x1)
EDGE TRIM LONG

1799 (x1)
EDGE TRIM SPLICE

1798 (x1)
EDGE TRIM LONG

FRONT

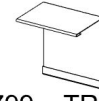
1800 (x1)
CORNER SPLICE TRIM RH

STEP 21 - GAZEBO ASSEMBLY

QTY	PART NUMBER	DESCRIPTION
14	H101116	SCREW SELF TAPPING 1/4x1 BLK

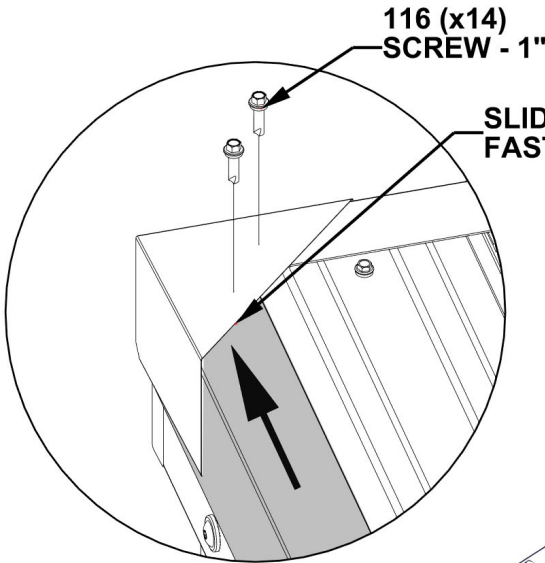


A4M01797 EDGE TRIM SHORT
(x4)

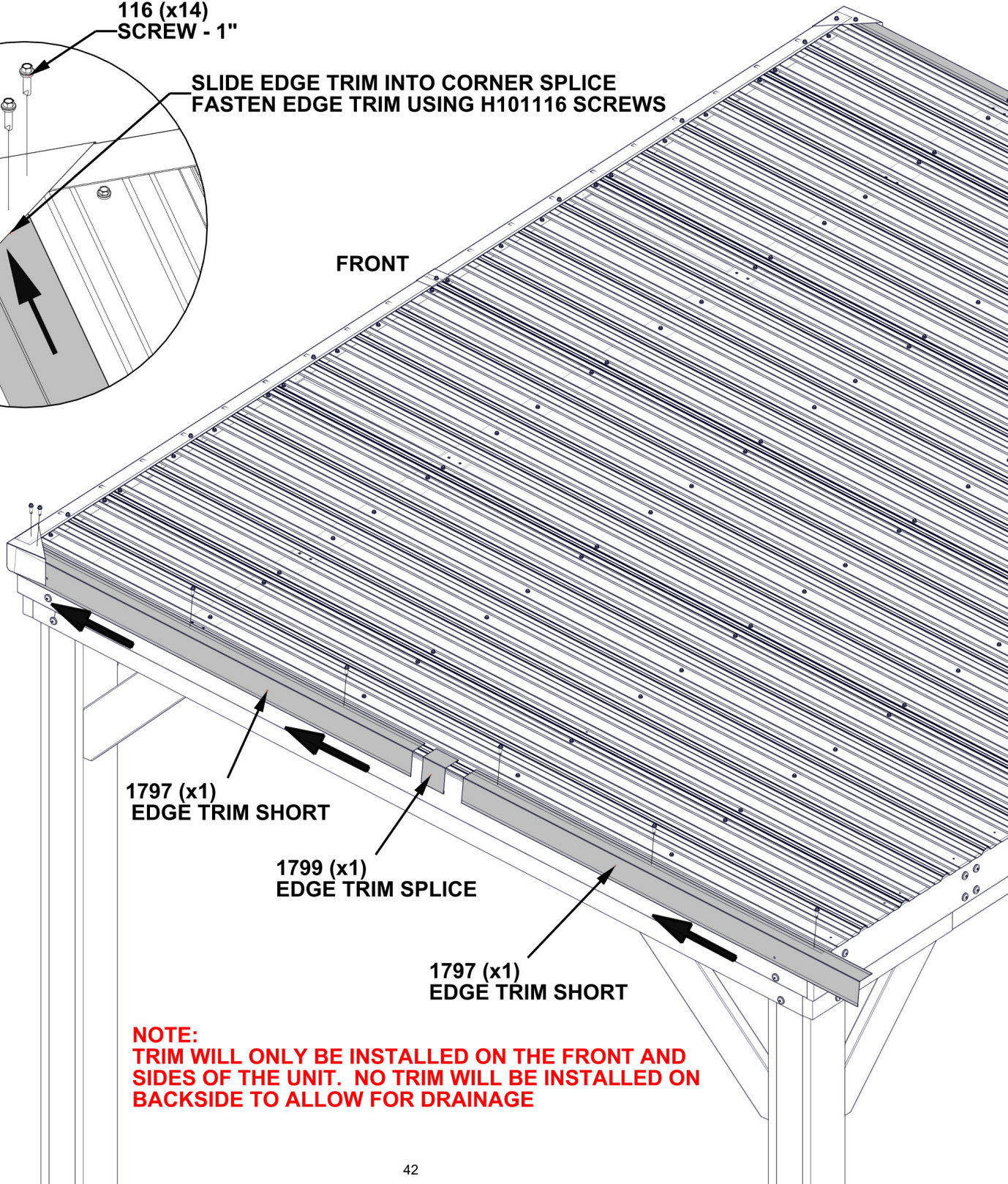


A4M01799 TRIM EDGE SPLICE
(x2)

LAY EDGE TRIM ON SIDE OF ROOF AS SHOWN BELOW, SLIDE EACH PIECE INTO ONE ANOTHER. FLUSH LAST PIECE WITH THE REAR EDGE OF SHEETING. SCREWS GO THROUGH EDGE TRIM INTO RIB AT THE APPROXIMATE LOCATIONS SHOWN. REPEAT ON OPPOSITE SIDE.



SLIDE EDGE TRIM INTO CORNER SPLICE
FASTEN EDGE TRIM USING H101116 SCREWS



1797 (x1)
EDGE TRIM SHORT

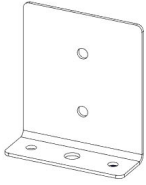
1799 (x1)
EDGE TRIM SPLICE

1797 (x1)
EDGE TRIM SHORT

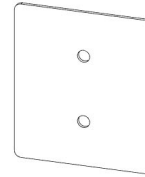
**NOTE:
TRIM WILL ONLY BE INSTALLED ON THE FRONT AND SIDES OF THE UNIT. NO TRIM WILL BE INSTALLED ON BACKSIDE TO ALLOW FOR DRAINAGE**

STEP 22 - GAZEBO ASSEMBLY

QTY	PART NUMBER	DESCRIPTION
32	H100471	LAG SCREW WH 5/16x1 1/2 BLK



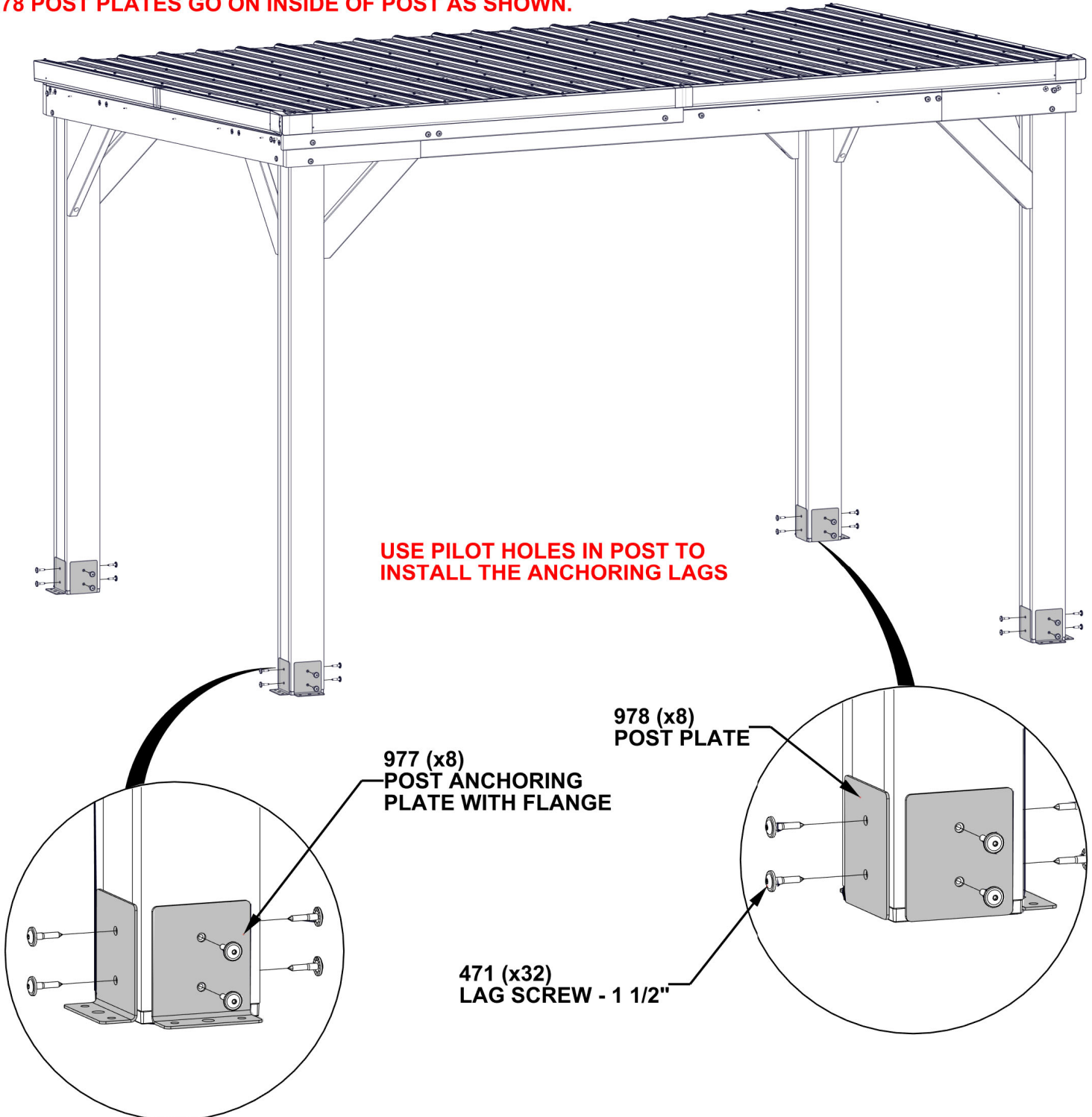
A4M00977 POST ANCHORING PLATE WITH FLANGE
(x8)



A4M00978 POST PLATE
(x8)

NOTES:

- 977 POST ANCHORING PLATES MOUNT ON OUTSIDE OF POST AS SHOWN.
- 978 POST PLATES GO ON INSIDE OF POST AS SHOWN.

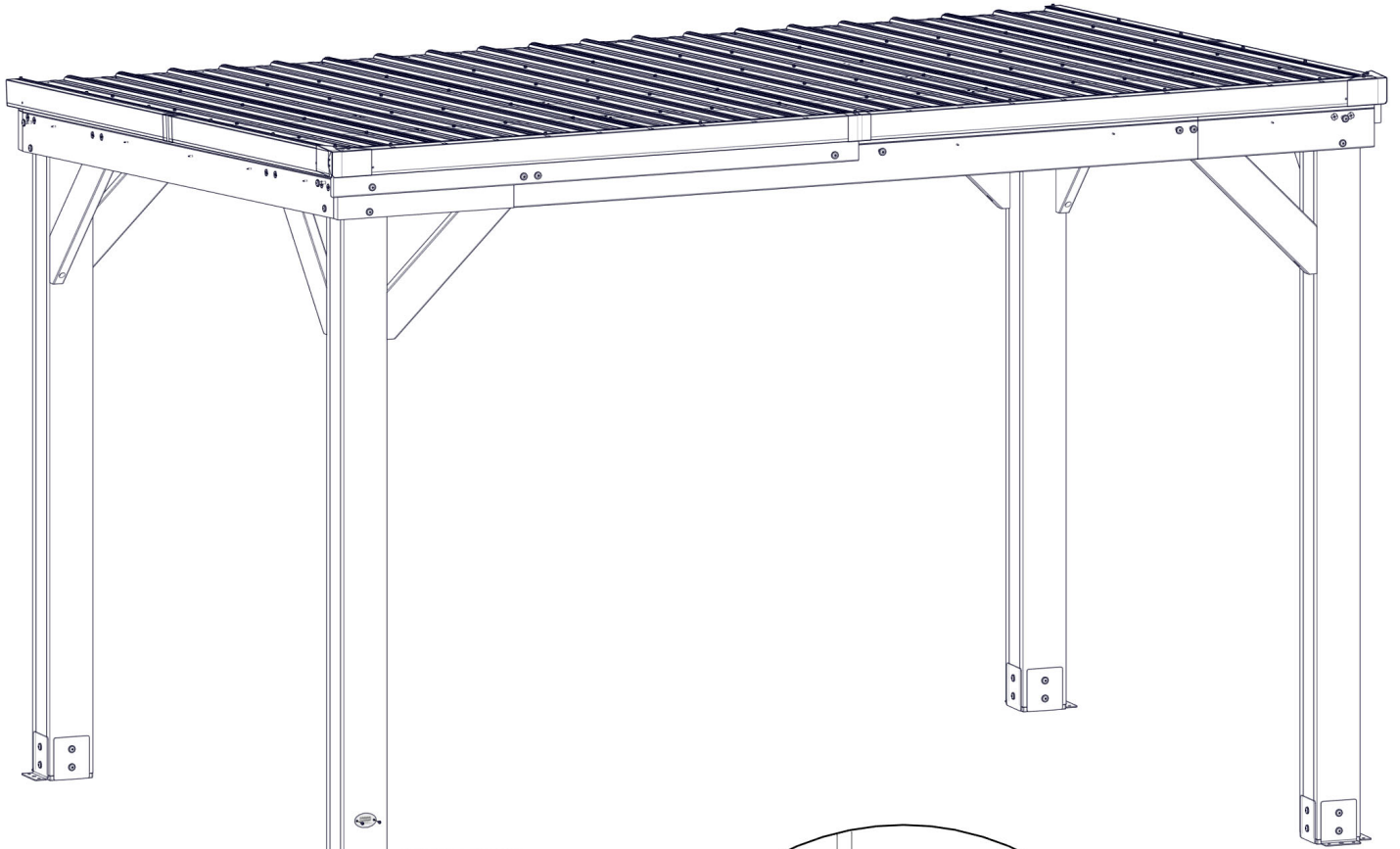


STEP 23 - GAZEBO ASSEMBLY

QTY	PART NUMBER	DESCRIPTION
2	H100202	SCREW PWH 8x5/8 BLK

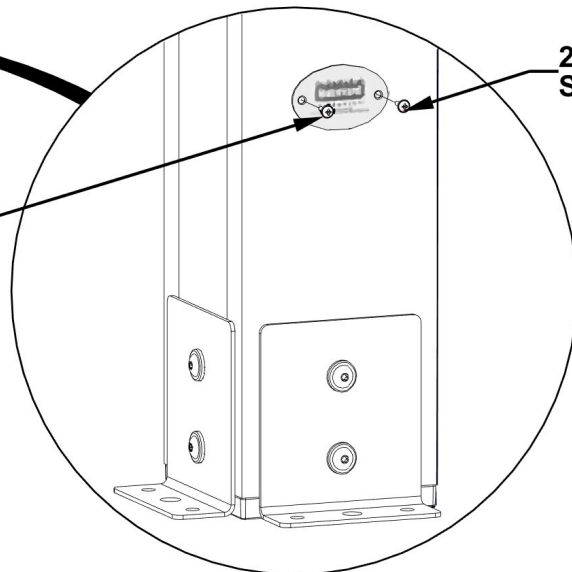


A100241 BYD ID TAG (SMALL) WITHOUT AGES
(x1)



241 (x1)
BYD ID TAG (SMALL)
WITHOUT AGES

202 (x2)
SCREW - 5/8"

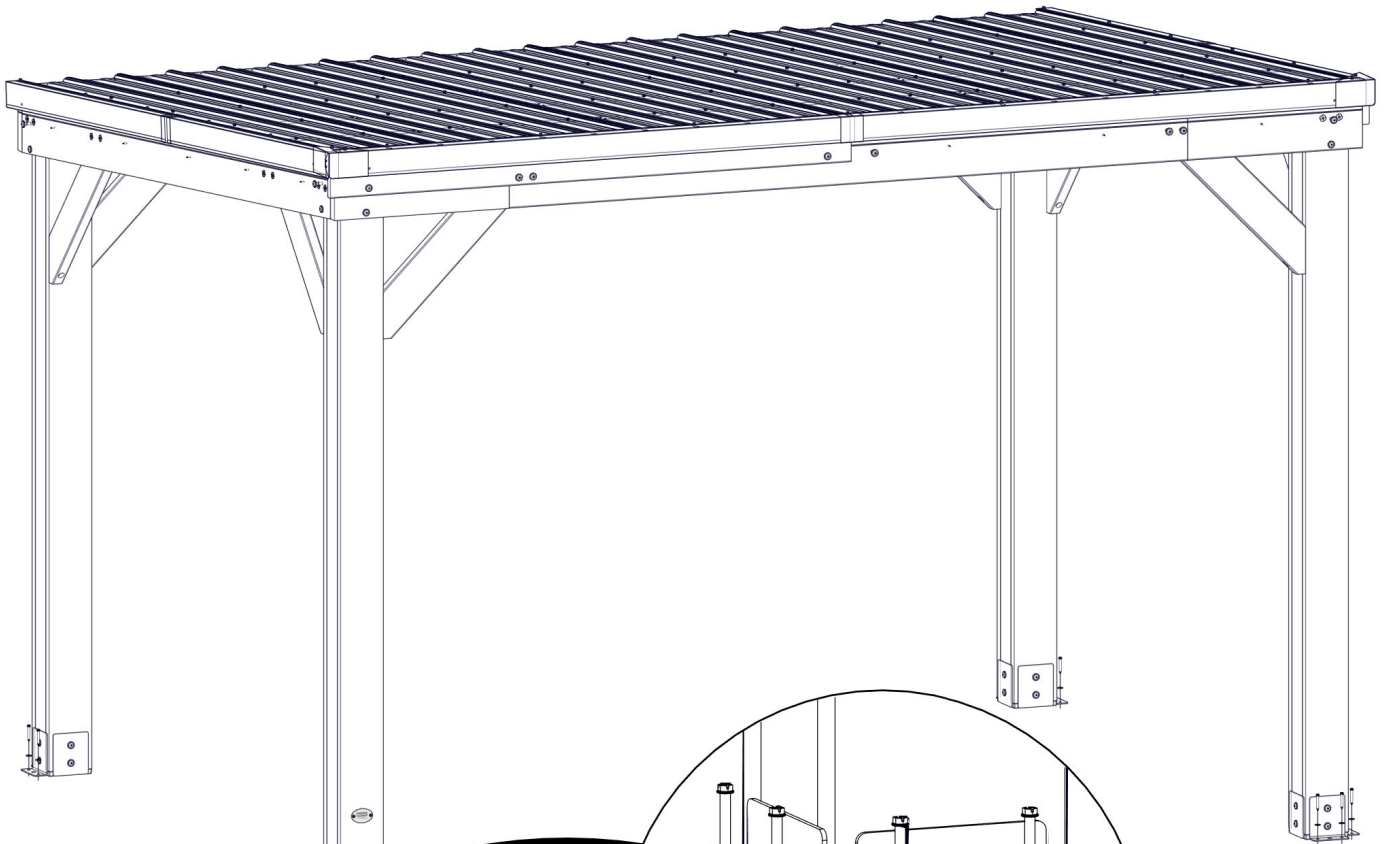


STEP 24 - GAZEBO ASSEMBLY

QTY	PART NUMBER	DESCRIPTION
16	H100120	
16	H100630	WASHER FLAT 8x19 BLK

MANUFACTURER RECOMMENDS INSTALLATION ON CONCRETE SURFACE OR CONCRETE POST PAD AS SHOWN BELOW.

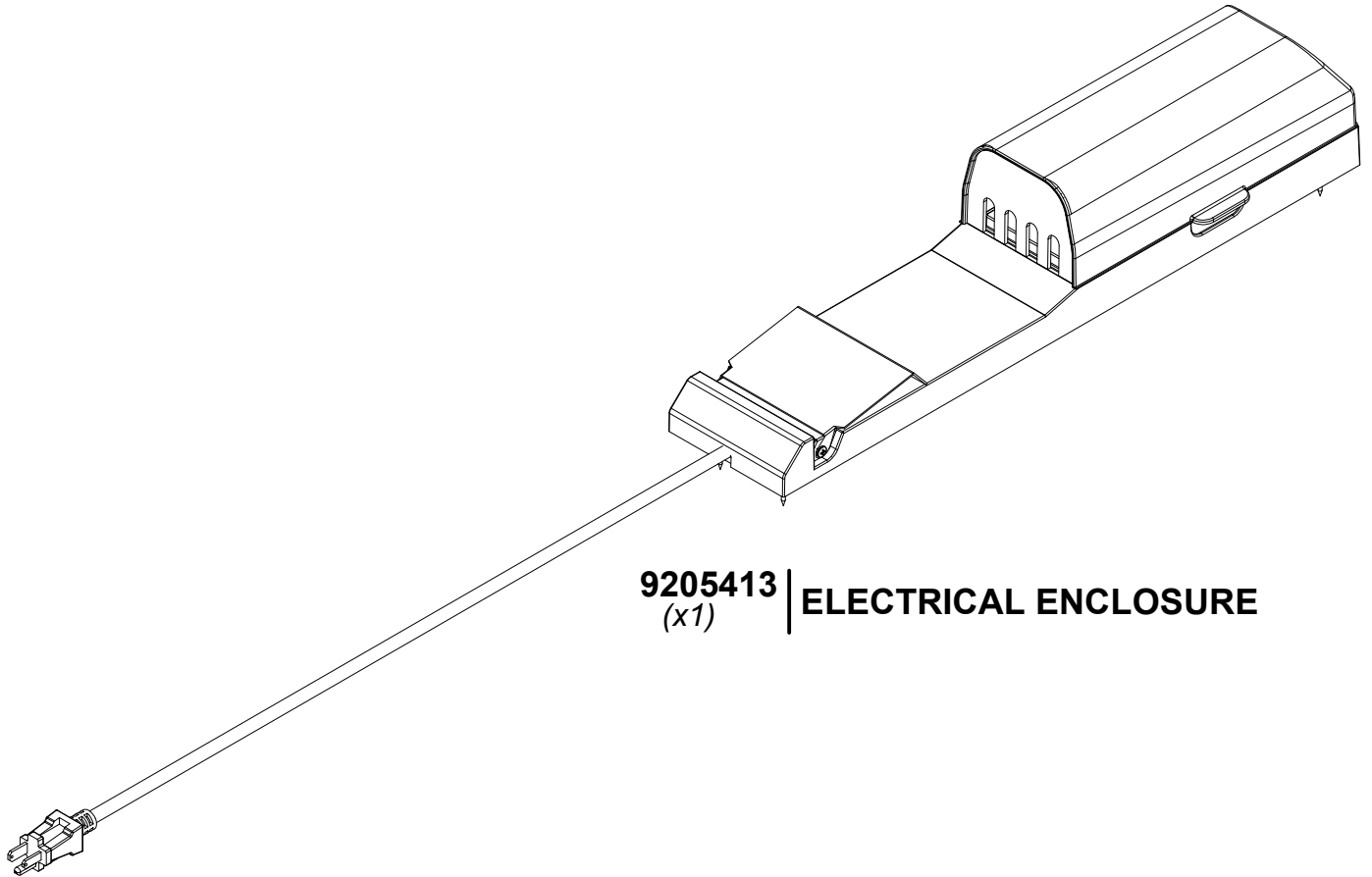
FOR INSTALLATION ON WOOD DECK, YOU MUST ENSURE THERE IS AMPLE STRUCTURAL SUPPORT UNDER THE DECK. HARDWARE NOT INCLUDED FOR DECK ATTACHMENT.



120 (x16)
CONCRETE SCREW

630 (x16)
WASHER - 8x19

PRE-DRILL HOLES FOR CONCRETE ANCHORS
USING A 3/16" CONCRETE DRILL BIT.



9205413 | **ELECTRICAL ENCLOSURE**
(x1)

FOR POWERPORT INSTALLATION REFER TO ASSEMBLY INSTRUCTIONS THAT COME PACKAGED WITH THE POWERPORT KIT. INSTALL ON ANY POST THAT IS DESIRED. FOLLOW DIRECTIONS FOR PROPER INSTALLATION.