



Manufactured by:  
 Backyard Discovery  
 3305 Airport Drive, Pittsburg, KS 66762  
 800-856-4445

Basepoint Business Centre: Rivermead Drive, Westlea, Swindon SN5 7EX Phone: 0800-118-2476  
 J.P. Coenstraat 7, The Bridge, The Hague, 2595 WP, Netherlands Phone: 08005678990

# 201 - "5 f WUXJU Gazebo

## MODEL # : 2306066



Please visit [www.backyarddiscovery.com](http://www.backyarddiscovery.com)  
 For the most up to date assembly manual, to register your product, or to order replacement parts *Para obtener instrucciones en español, visite* [www.backyarddiscovery.com](http://www.backyarddiscovery.com)



EASY STEP-BY-STEP  
 3D INTERACTIVE INSTRUCTIONS  
 DOWNLOAD THE FREE APP



INSTALLATION  
 SERVICES  
 AVAILABLE!  
 See inside for details

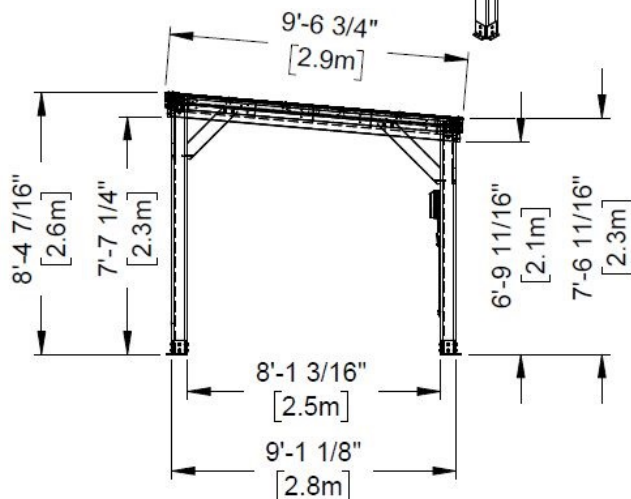
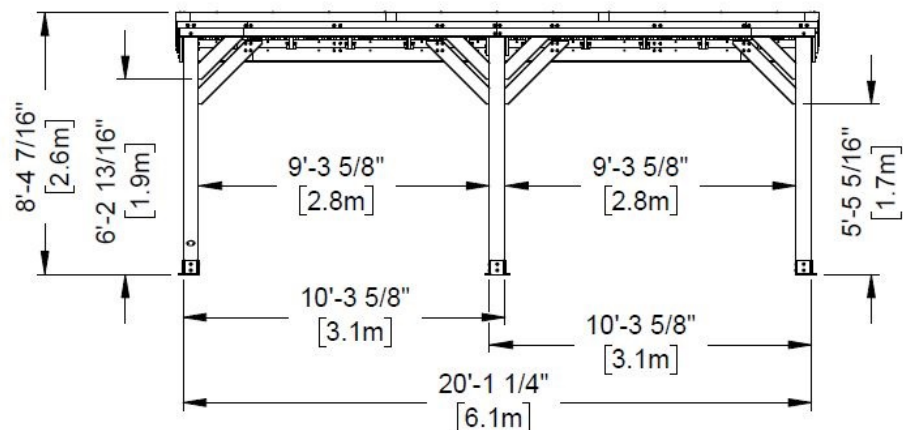
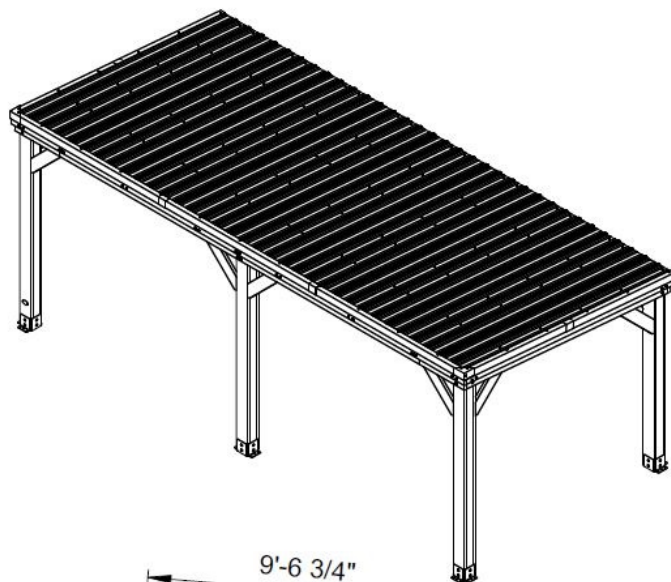
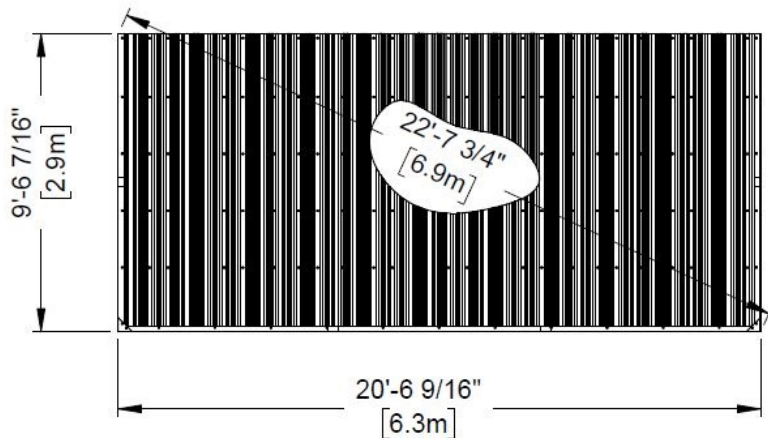
# OWNER'S MANUAL - BASIC SETUP DIMENSIONS & ASSEMBLY NOTES

It is critically important that you start with square and level footings, concrete pad or deck to attach your structure

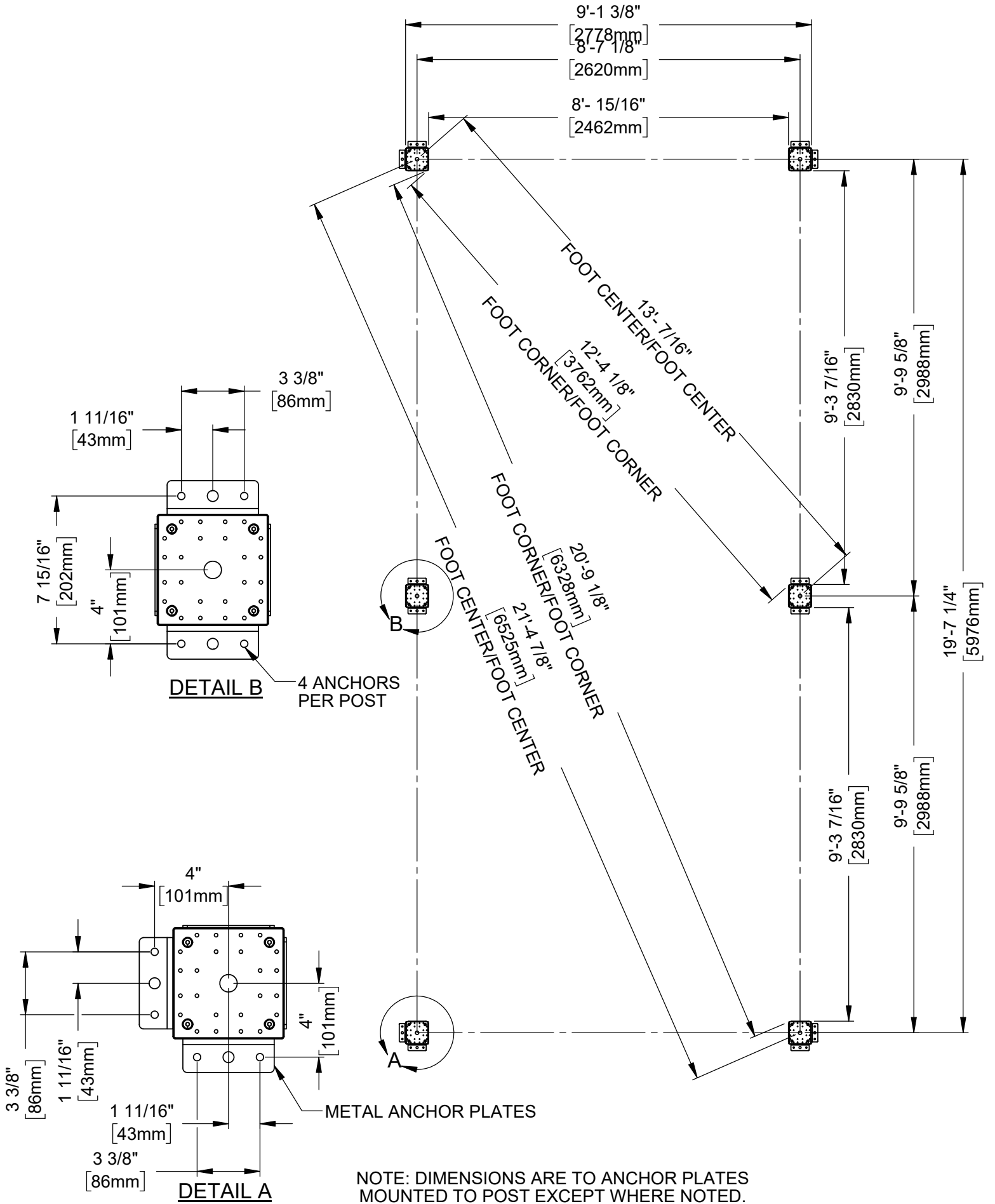
- Pay close attention to the items needed for each step. Make sure you are using the correct hardware for each step. Using incorrect hardware may result in improper assembly
- Remember to double check for underground utilities and overhead electrical lines

**Post mounts are provided with your structure which allows you to permanently install your structure to a pre-existing or new wood or concrete surface. See Anchor Instructions for further details and recommendations.**

- The hardware to attach the post mounts to the structure is included.
- The hardware to mount the structure permanently to a concrete surface is included.
- The hardware to mount the structure permanently to a wood deck is NOT included and will need to be purchased separately. You must ensure there is ample structural support under the deck before permanently attaching.



# OWNER'S MANUAL - ANCHORING LAYOUT



# OWNER'S MANUAL - PARTS IDENTIFICATION



D01 CORBEL - W4L17290  
(x7) 1 7/16"x5 1/4"x34 7/16" (36x134x874)



D02 CORBEL W/TAG - W2A03544  
(x1) 1 7/16"x5 1/4"x34 7/16" (36x134x874)



D03 CORBEL - W4L17297  
(x2) 1 3/8"x5 1/4"x27 1/4" (36x134x692)



D04 CORBEL - W4L17299  
(x2) 1 3/8"x5 1/4"x33 7/8" (36x134x860)



D05 BRACE BEAM - W4L17415  
(x2) 1 7/16"X5 1/4"X110" (36x134x2794)



E01 RAFTER - W4L17405  
(x10) 1 7/16"x3 3/8"x109 3/4" (36x86x2787)



G01 FASCIA - W4L17417  
(x2) 15/16"x5 1/4"x27 3/8" (24x134x696)



G05 FASCIA - W4L17419  
(x2) 15/16"x5 1/4"x27 3/8" (24x134x696)



G02 FASCIA - W4L17418  
(x2) 15/16"x5 1/4"x95 9/16" (24x134x2428)



G03 FASCIA - W4L17410  
(x2) 15/16"x5 1/4"x112 13/16" (24x134x2866)



G06 FASCIA - W4L17420  
(x2) 15/16"x5 1/4"x95 9/16" (24x134x2428)



H01 PURLIN - W4L17406  
(x4) 15/16"x3 3/8"x87 13/16" (24x86x2231)



H02 PURLIN - W4L17407  
(x4) 15/16"x3 3/8"x65 1/4" (24x86x1657)



H03 PURLIN - W4L17413  
(x4) 15/16"x3 3/8"x92 3/4" (24x86x2356)

# OWNER'S MANUAL - PARTS IDENTIFICATION



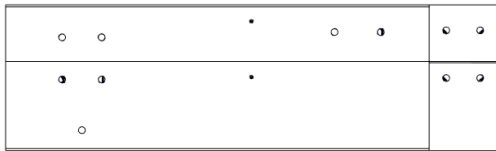
**J01 JOIST ASSEMBLY - W2A03642**  
 (x1) 1 7/16"x8 7/16"x28 7/16" (36x214x722)



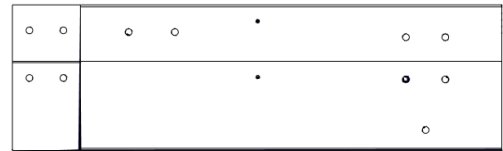
**J03 JOIST ASSEMBLY - W2A03643**  
 (x1) 1 7/16"x8 7/16"x28 7/16" (36x214x722)



**J02 JOIST ASSEMBLY - W2A03638**  
 (x1) 1 7/16"x8 7/16"x97 9/16" (36x214x2478)



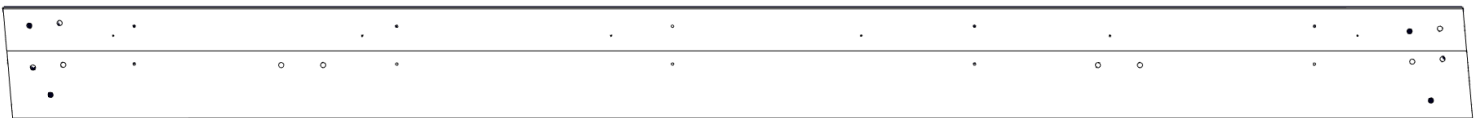
**J04 JOIST ASSEMBLY - W2A03644**  
 (x1) 1 7/16"x8 7/16"x28 7/16" (36x214x722)



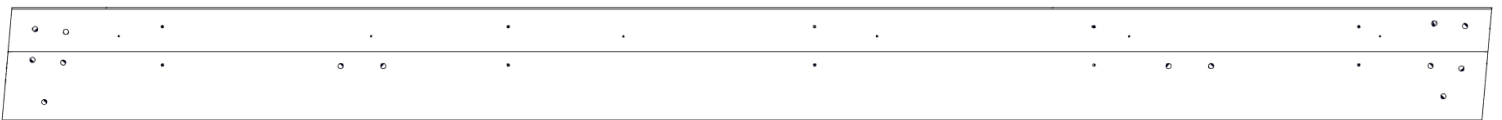
**J06 JOIST ASSEMBLY - W2A03645**  
 (x1) 1 7/16"x8 7/16"x28 7/16" (36x214x722)



**J05 JOIST ASSEMBLY - W2A03646**  
 (x) 1 7/16"x8 7/16"x97 9/16" (36x214x2478)



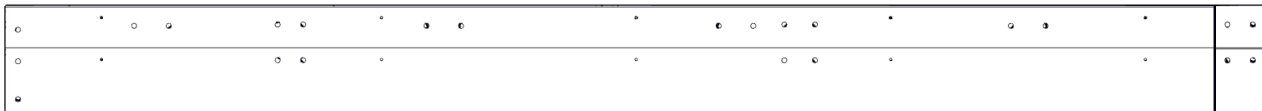
**J07 JOIST ASSEMBLY - W2A03640**  
 (x1) 36X8 7/16"X110 5/16" (36x214x2801)



**J08 JOIST ASSEMBLY - W2A03641**  
 (x1) 1 7/16"x8 7/16"x110 5/16" (36x214x2801)



**J09 JOIST ASSEMBLY - W2A03647**  
 (x1) 1 7/16"x8 7/16"x97 9/16" (36x214x2478)



**J10 JOIST ASSEMBLY - W2A03648**  
 (x1) 1 7/16"x8 7/16"x97 9/16" (36x214x2478)

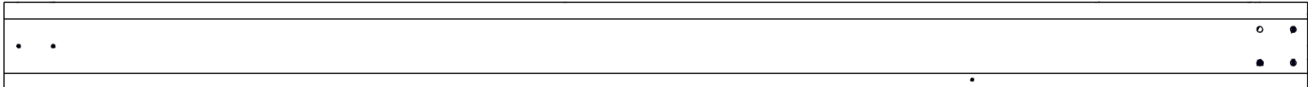
# OWNER'S MANUAL - PARTS IDENTIFICATION



J11 CLEAT - W4L17411  
(x2) 15/16"x2 3/8"x97 9/16" (24x60x2479)



P01 POST - W2A03634  
(x1) 6"x6"x98 1/2" (152x152x2502)



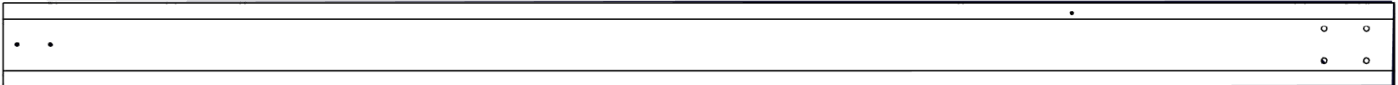
P02 POST - W2A03636  
(x1) 6"x6"x89 1/16" (152x152x2262)



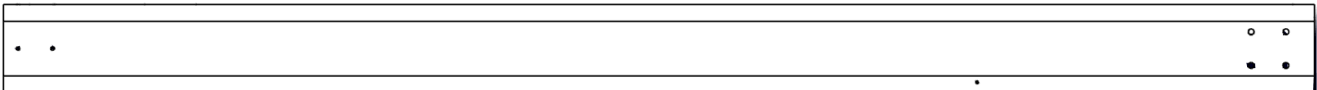
P03 POST - W2A03635  
(x1) 6"x6"x98 1/2" (152x152x2502)



P04 POST - W2A03637  
(x1) 6"x6"x89 1/16" (152x152x2262)



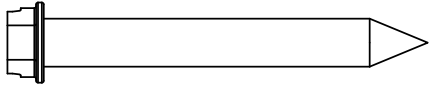
P05 POST - W2A03632  
(x1) 6"x6"x98 1/2" (152x152x2502)



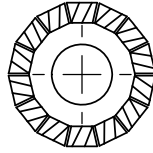
P06 POST - W2A03633  
(x1) 6"x6"x89 1/16" (152x152x2262)

# OWNER'S MANUAL - PARTS IDENTIFICATION

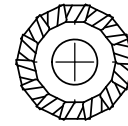
## Hardware Components



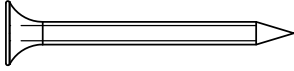
**H100120 | CONCRETE ANCHOR**  
(x24) | 1/4x2



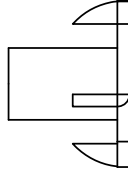
**H100198 | WASHER LOCK EXT BLK**  
(x116) | 8x19



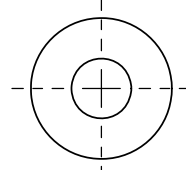
**H100405 | WASHER LOCK EXT BLK**  
(x12) | 6x15



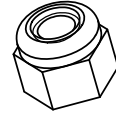
**H100200 | SCREW PFH BLK**  
(x24) | 8x1-1/2



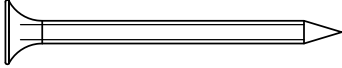
**H100379 | T-NUT BLK**  
(x144) | 5/16



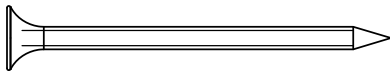
**H100630 | WASHER FLAT BLK**  
(x44) | 8x19



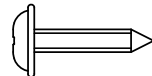
**H100653 | NUT LOCK BLK**  
(x20) | 1/4



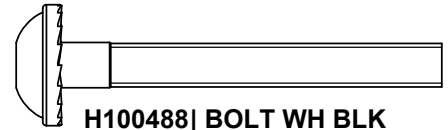
**H100382 | SCREW PFH BLK**  
(x96) | 8x1-3/4



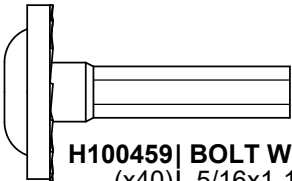
**H100391 | SCREW PFH BLK**  
(x80) | 8x2



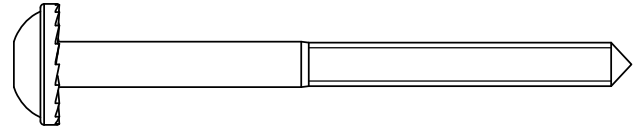
**H100202 | SCREW PWH BLK**  
(x2) | 8x5/8



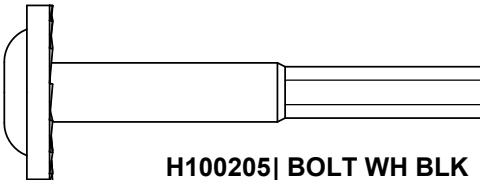
**H100488 | BOLT WH BLK**  
(x20) | 1/4x2



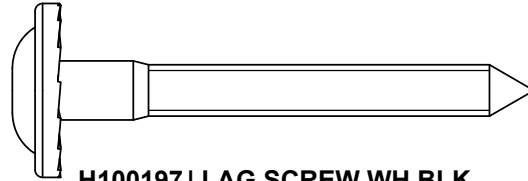
**H100459 | BOLT WH BLK**  
(x40) | 5/16x1-1/4



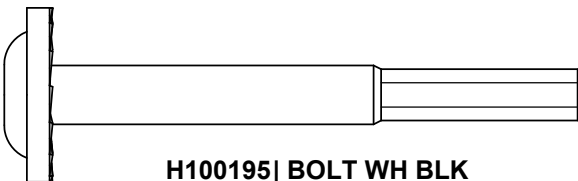
**H100792 | LAG SCREW WH BLK**  
(x12) | 1/4x3



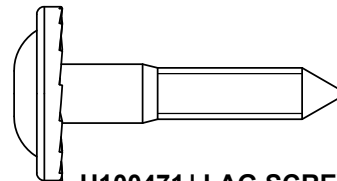
**H100205 | BOLT WH BLK**  
(x16) | 5/16x2-1/4



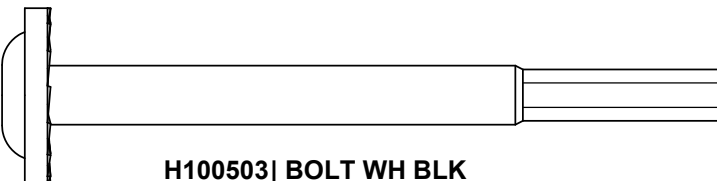
**H100197 | LAG SCREW WH BLK**  
(x12) | 5/16x2-1/2



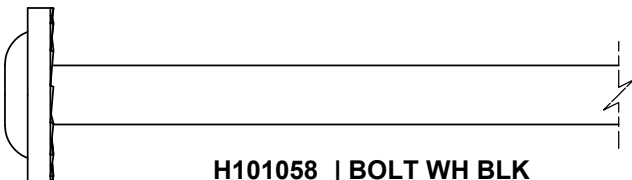
**H100195 | BOLT WH BLK**  
(x8) | 5/16x2-3/4



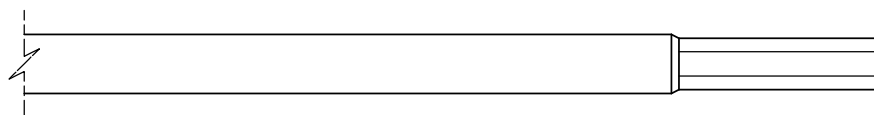
**H100471 | LAG SCREW WH BLK**  
(x48) | 5/16x1-1/2



**H100503 | BOLT WH BLK**  
(x32) | 5/16x3-1/2

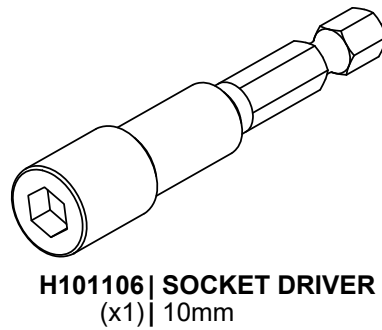
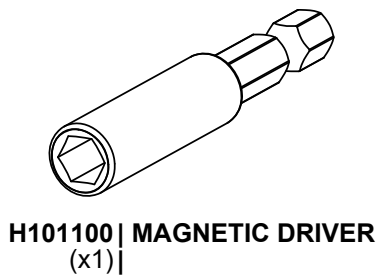
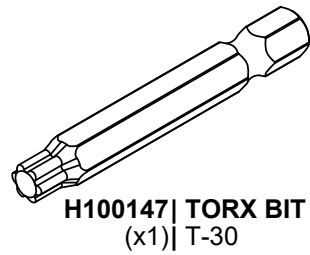
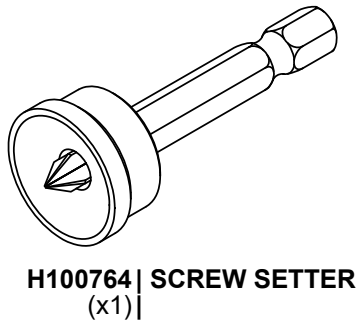
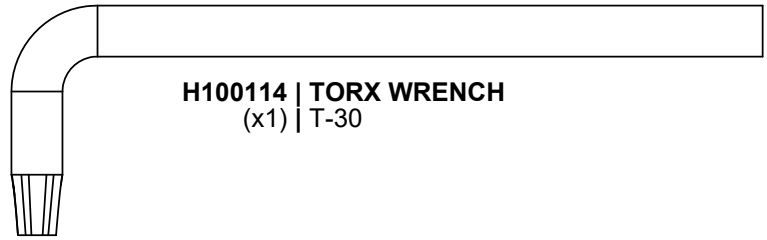
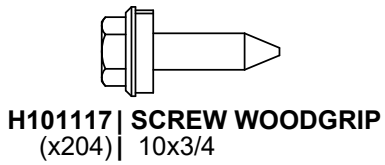
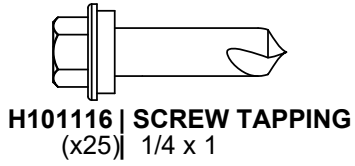
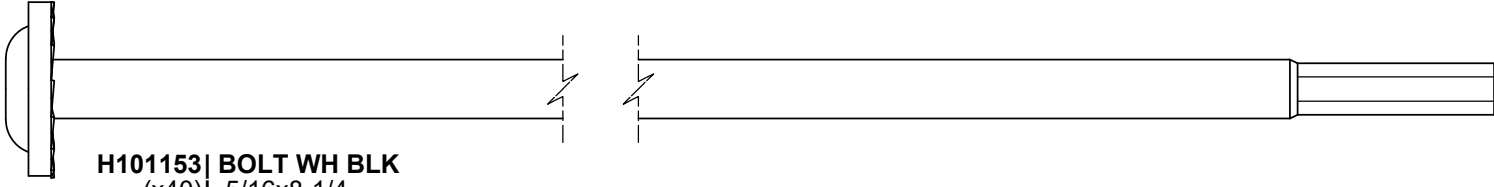


**H101058 | BOLT WH BLK**  
(x8) | 5/16x8-3/4



# OWNER'S MANUAL - PARTS IDENTIFICATION

## Hardware Components





# OWNER'S MANUAL - PARTS IDENTIFICATION



A4M01795 29GA SHEETING  
(x8)



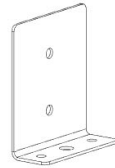
A4M01796 29GA SHEETING  
(x1)



A4M01848 EDGE TRIM LONG  
(x3)



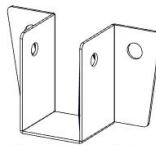
A4M01797 EDGE TRIM SHORT  
(x4)



A4M00977 POST ANCHORING PLATE  
(x12)



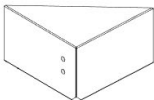
A4M01799 EDGE TRIM SPLICE  
(x4)



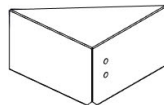
A4M01787 RAFTER BRACKET  
(x20)



A4M00978 POST PLATE  
(x12)



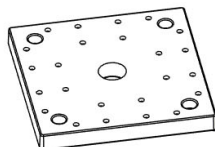
A4M01893 CORNER SPLICE TRIM LH  
(x1)



A4M01800 CORNER SPLICE TRIM RH  
(x1)



A100241 ID TAG  
(x1)



A6P00308 6x6 POST FOOT  
(x6)



9205413 ELECTRICAL ENCLOSURE  
(x1)

# PRE-ASSEMBLY STEP 1 - SORTING PARTS

It is critical for ease of assembly that you take the time to sort and organize the wood and hardware.

---

## WOOD PARTS:

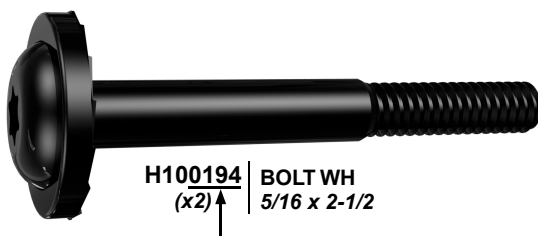
- Organize wood parts by the three-digit, alpha-numeric number stamped on each board (ex. P01).
- If there are multiple boards with the same stamped number, stack those pieces together.
- Stamps can be found on the flat surface of the boards or on the end of the boards.
- Allow yourself plenty of room - the wood pieces can take up a significant amount of space.

**NOTE: CARTONS ARE NOT ORGANIZED BY BOARD NUMBER.**



## HARDWARE PARTS:

- We recommend that you have a separate table to organize the hardware.
- Hardware bags are printed with a seven-digit, alpha-numeric part number.
- You can organize your hardware by part number or group by hardware type (i.e. bolts, nuts, etc.).
- During assembly you only need to reference the last four digits of the number.



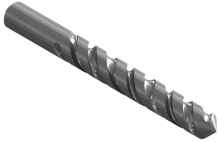
# PRE-ASSEMBLY STEP 2 - TOOLS REQUIRED



Cordless Drill or  
Electric Drill



Drill Attachments:  
Phillips Head



1/8", 3/16", 3/8" &  
7/16" Drill Bits



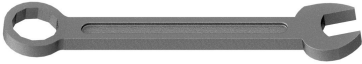
Phillips Screw Driver



Tape Measure



Claw Hammer



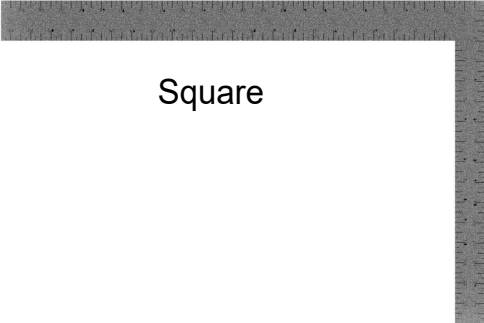
Open End  
Wrenches 1/2" &  
7/16"



3/8" Drive Ratchet, 1/2" &  
7/16" STD Sockets, 1/2" &  
7/16" Deep Sockets



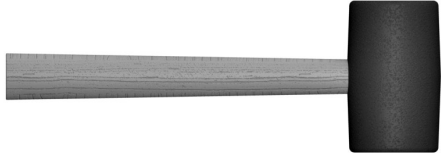
3/8 & 5/16" Nut Drivers



Square



Level 24"



Rubber Mallet -  
Optional

# PRE-ASSEMBLY STEP 3 - CHOOSE YOUR ASSEMBLY METHOD

There are several types of assembly instructions available to you.

1. Printed Assembly Manual included with your set
2. BILT APP - 3D interactive instructions
3. Combination of the Printed Manual and BILT APP (Note: Step numbers can differ between the two methods)



The graphic is a rectangular advertisement for the BILT app. At the top left is the BILT logo, which consists of a stylized hexagonal icon with a dot inside, followed by the word "BILT." in a bold, sans-serif font. To the right of the logo is a large QR code. Below the logo and QR code, the text "Scan for easy 3D instructions" is written in a large, bold, black font. Underneath this, in a smaller font, it says "Download the BILT app before you begin". To the right of this text are two buttons: "Download on the App Store" with the Apple logo and "GET IT ON Google Play" with the Google Play logo. At the bottom of the graphic is a smartphone screen displaying a 3D assembly instruction. The screen shows a grey 3D model of a structure with a horizontal beam and a triangular support. The interface includes a close button (X) in the top right, a menu icon (three dots) below it, a share icon (square with a dot) below that, a step number "17" in a circle in the bottom left, and navigation arrows (back, pause, forward) in the bottom right.

# STEP 1 - LEFT SIDE ASSEMBLY

Qty	PART NUMBER	DESCRIPTION
8	H100200	SCREW PFH 8x1 1/2 BLK

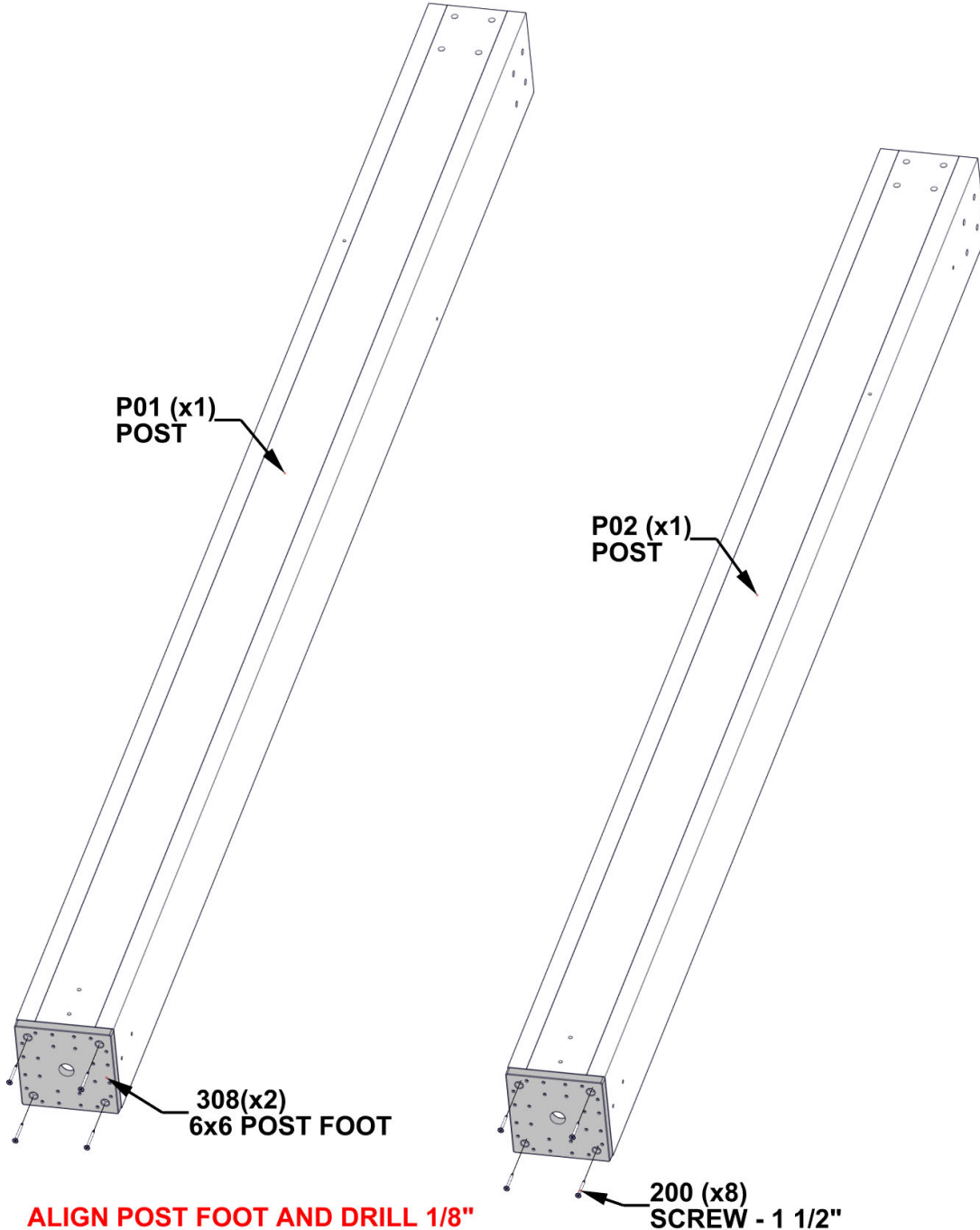


P01 POST - W2A03634  
(x1) 6"x6"x98 1/2" (152x152x2502)



P02 POST - W2A03636  
(x1) 6"x6"x89 1/16" (152x152x2262)

A6P00308 6x6 POST FOOT  
(x2)



**ALIGN POST FOOT AND DRILL 1/8" PILOT HOLES FOR THE ATTACHMENT OF HARDWARE.**

# STEP 2 - LEFT SIDE ASSEMBLY

Qty	PART NUMBER	DESCRIPTION
4	H100195	BOLT WH 5/16x2 3/4 BLK
4	H100198	WASHER LOCK EXT 8x19
4	H100379	T-NUT 5/16 BLK



D03 CORBEL - W4L17297  
(x1) 1 3/8"x5 1/4"x27 1/4" (36x134x692)

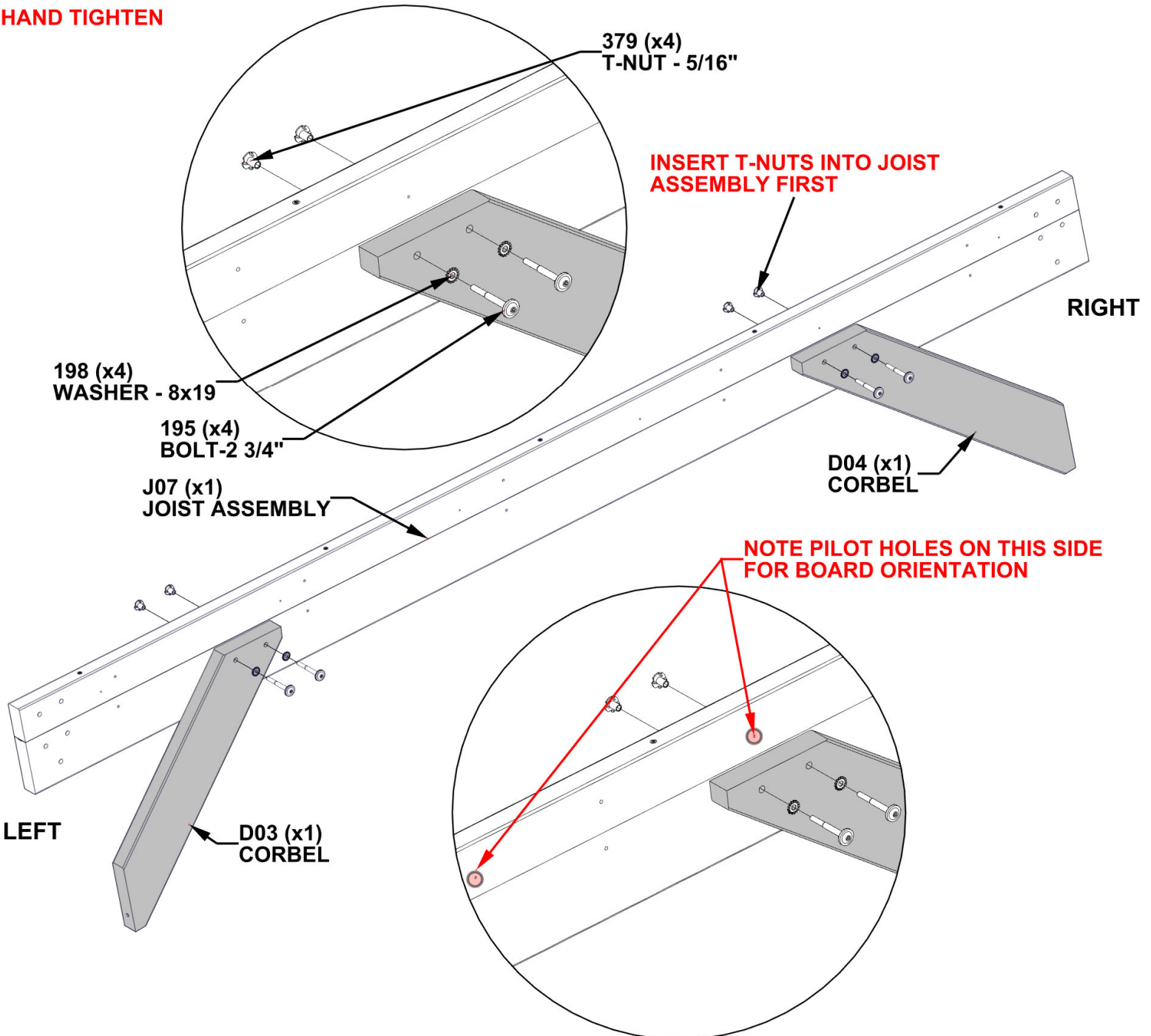


D04 CORBEL - W4L17299  
(x1) 1 3/8"x5 1/4"x33 7/8" (36x134x860)



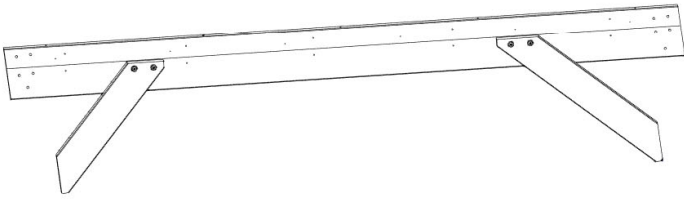
J07 JOIST ASSEMBLY - W2A03640  
(x1) 36X8 7/16"X110 5/16" (36x214x2801)

**HAND TIGHTEN**



# STEP 3A - LEFT SIDE ASSEMBLY

Qty	PART NUMBER	DESCRIPTION
2	H100197	LAG SCREW WH 5/16x2 1/2 BLK
10	H100198	WASHER LOCK EXT 8x19
8	H100379	TNUT-5/16" BLK
2	H100405	WASHER LOCK EXT 6x15
2	H100792	LAG SCREW WH 1/4x3 BLK
8	H101153	BOLT WH 5/16x8 1/4 BLK



JOIST ASSEMBLY - FROM PREVIOUS STEP

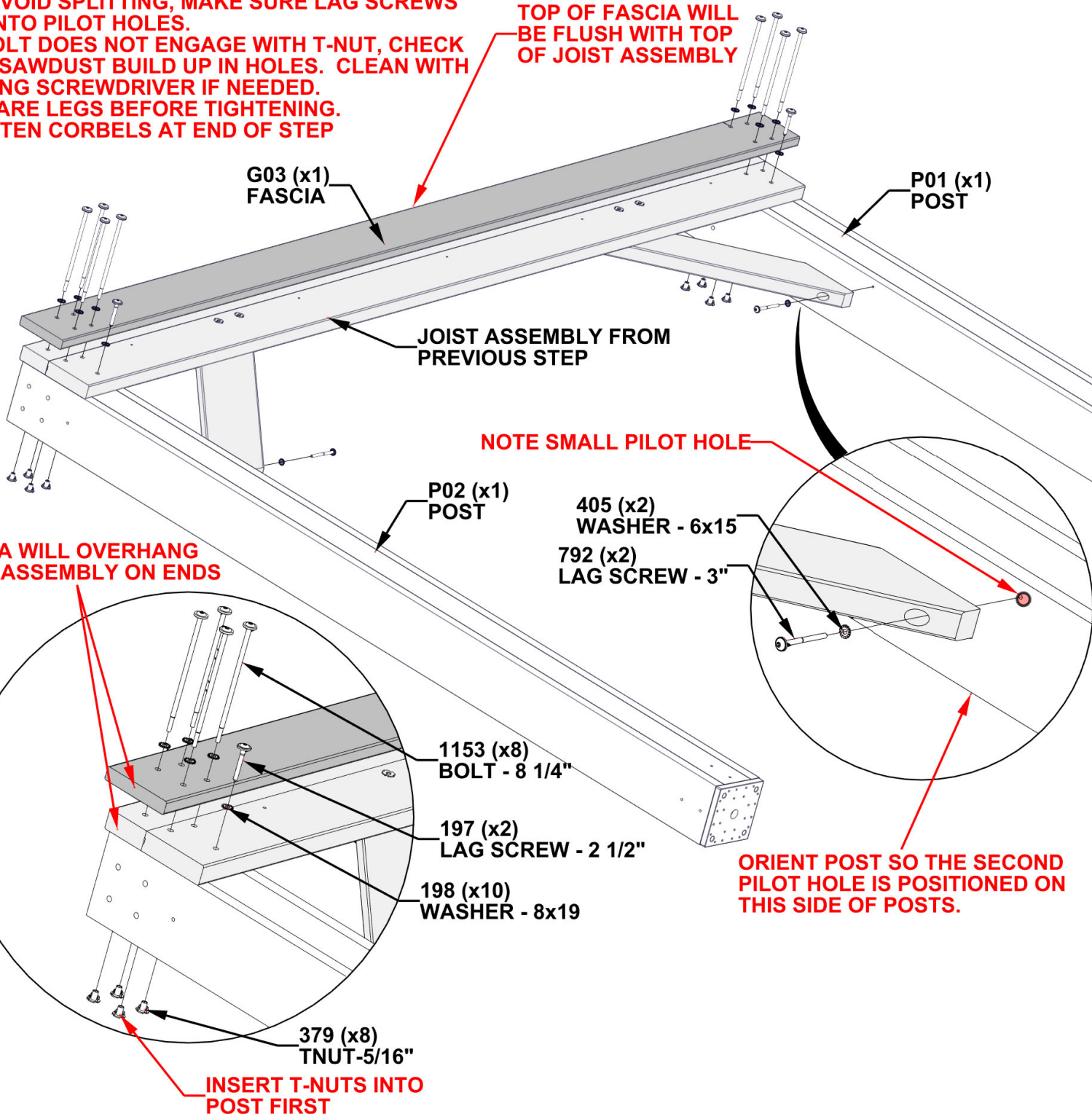


G03 FASCIA - W4L17410  
(x1) 15/16"x5 1/4"x112 13/16" (24x134x2866)

**NOTES:**

- TO AVOID SPLITTING, MAKE SURE LAG SCREWS GO INTO PILOT HOLES.
- IF BOLT DOES NOT ENGAGE WITH T-NUT, CHECK FOR SAWDUST BUILD UP IN HOLES. CLEAN WITH A LONG SCREWDRIVER IF NEEDED.
- SQUARE LEGS BEFORE TIGHTENING.
- TIGHTEN CORBELS AT END OF STEP

TOP OF FASCIA WILL BE FLUSH WITH TOP OF JOIST ASSEMBLY



G03 (x1) FASCIA

P01 (x1) POST

JOIST ASSEMBLY FROM PREVIOUS STEP

NOTE SMALL PILOT HOLE

P02 (x1) POST

405 (x2) WASHER - 6x15  
792 (x2) LAG SCREW - 3"

FASCIA WILL OVERHANG JOIST ASSEMBLY ON ENDS

1153 (x8) BOLT - 8 1/4"

197 (x2) LAG SCREW - 2 1/2"

198 (x10) WASHER - 8x19

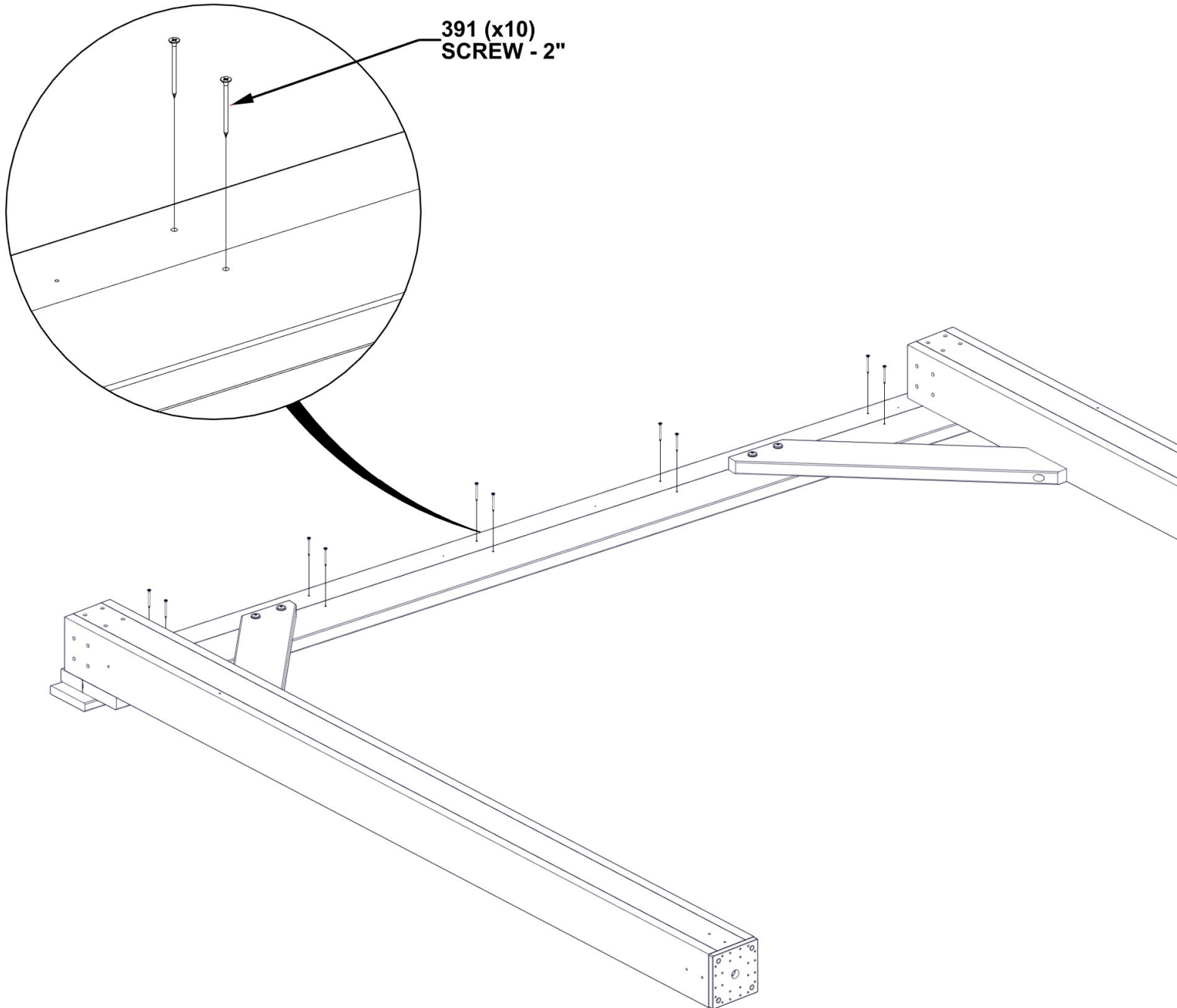
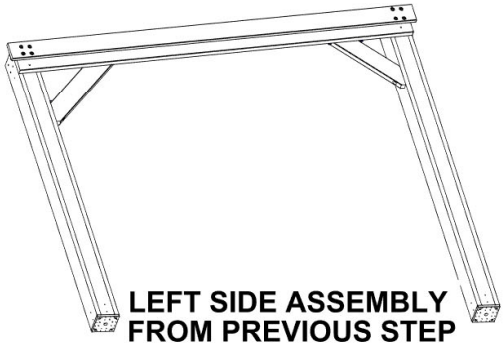
ORIENT POST SO THE SECOND PILOT HOLE IS POSITIONED ON THIS SIDE OF POSTS.

379 (x8) TNUT-5/16"

INSERT T-NUTS INTO POST FIRST

# STEP 3B - LEFT SIDE ASSEMBLY

Qty	PART NUMBER	DESCRIPTION
10	H100391	SCREW PFH 8x2 BLK





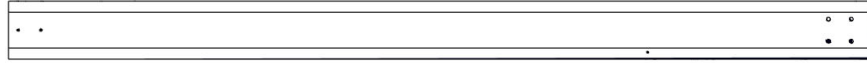
**SET LEFT SIDE ASSEMBLY TO THE SIDE**

# STEP 4 - CENTER ASSEMBLY

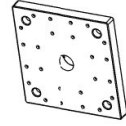
Qty	PART NUMBER	DESCRIPTION
8	H100200	SCREW PFH 8x1 1/2 BLK



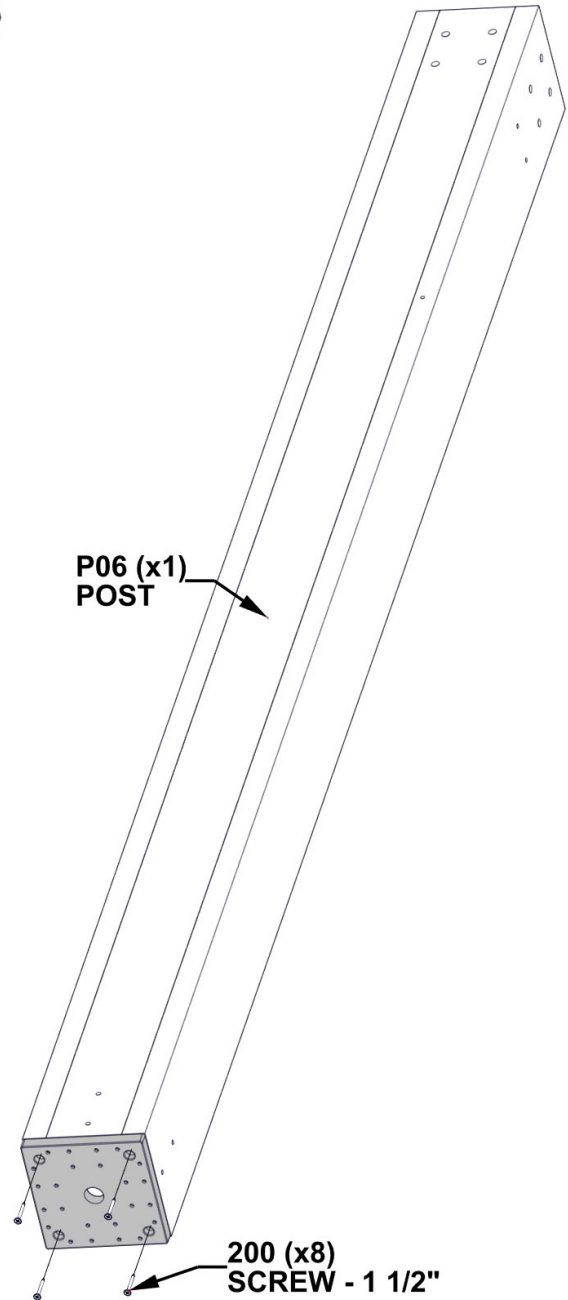
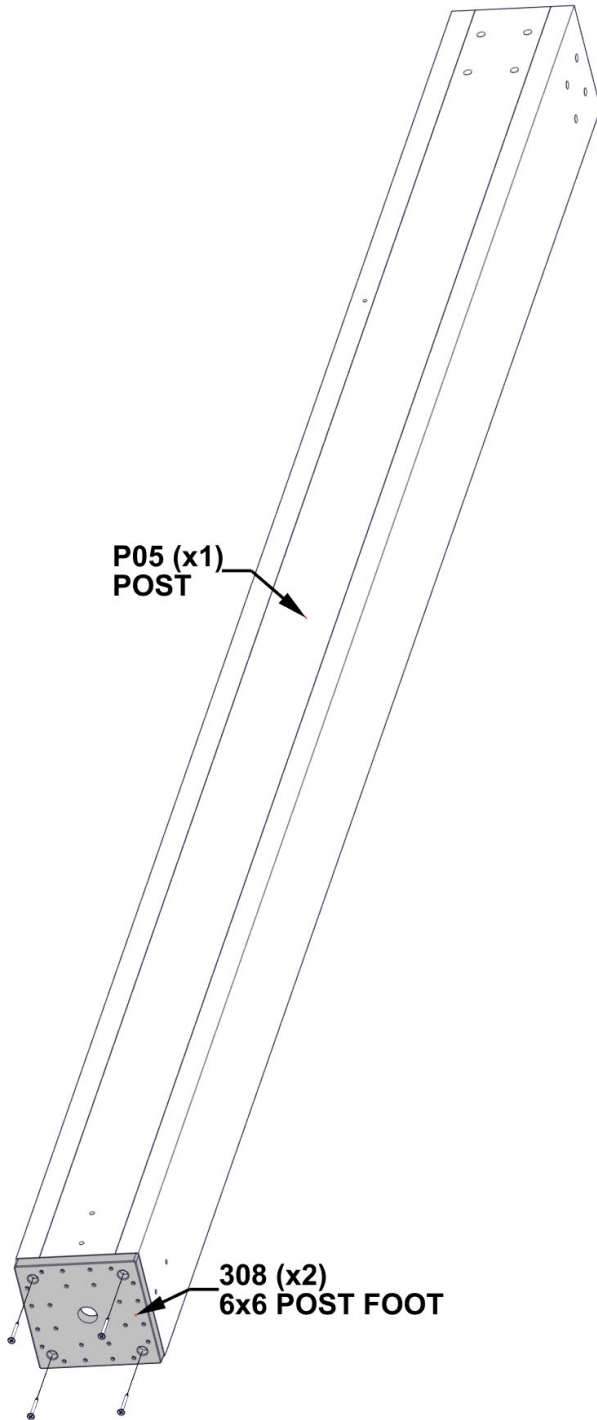
P05 POST - W2A03632  
(x1) 6"x6"x98 1/2" (152x152x2502)



P06 POST - W2A03633  
(x1) 6"x6"x89 1/16" (152x152x2262)



A6P00308 6x6 POST FOOT  
(x2)



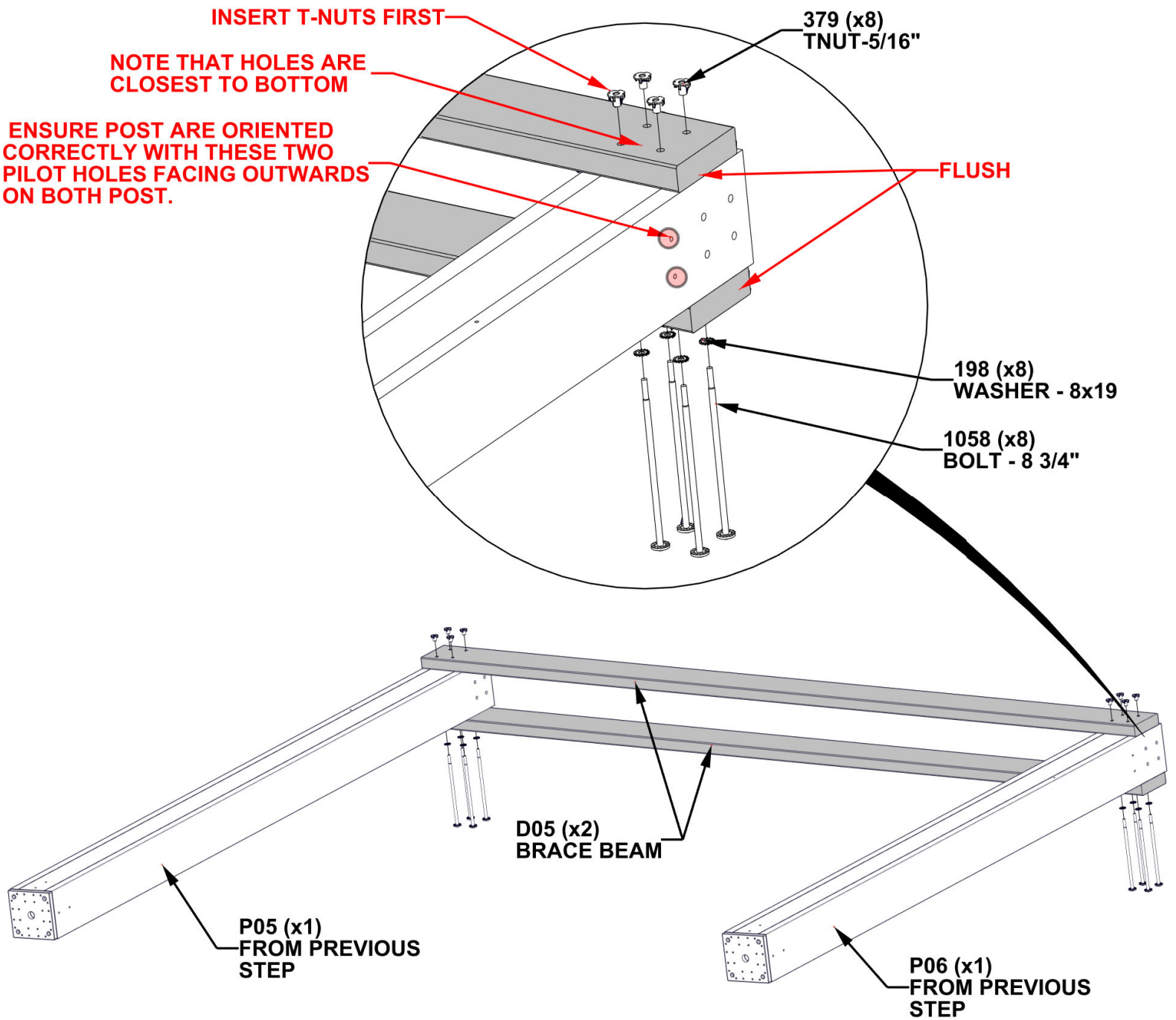
**ALIGN POST FOOT AND DRILL 1/8" PILOT HOLES FOR THE ATTACHMENT OF HARDWARE.**

# STEP 5 - CENTER ASSEMBLY

Qty	PART NUMBER	DESCRIPTION
8	H100198	WASHER LOCK EXT 8x19
8	H100379	TNUT-5/16" BLK
8	H101058	BOLT WH 5/16x8 3/4 BLK



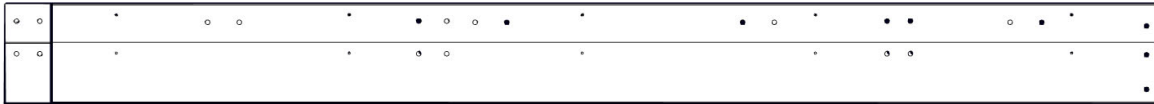
D05 BRACE BEAM - W4L17415  
(x2) 1 7/16"X5 1/4"X110" (36x134x2794)



**SET CENTER ASSEMBLY TO THE SIDE**

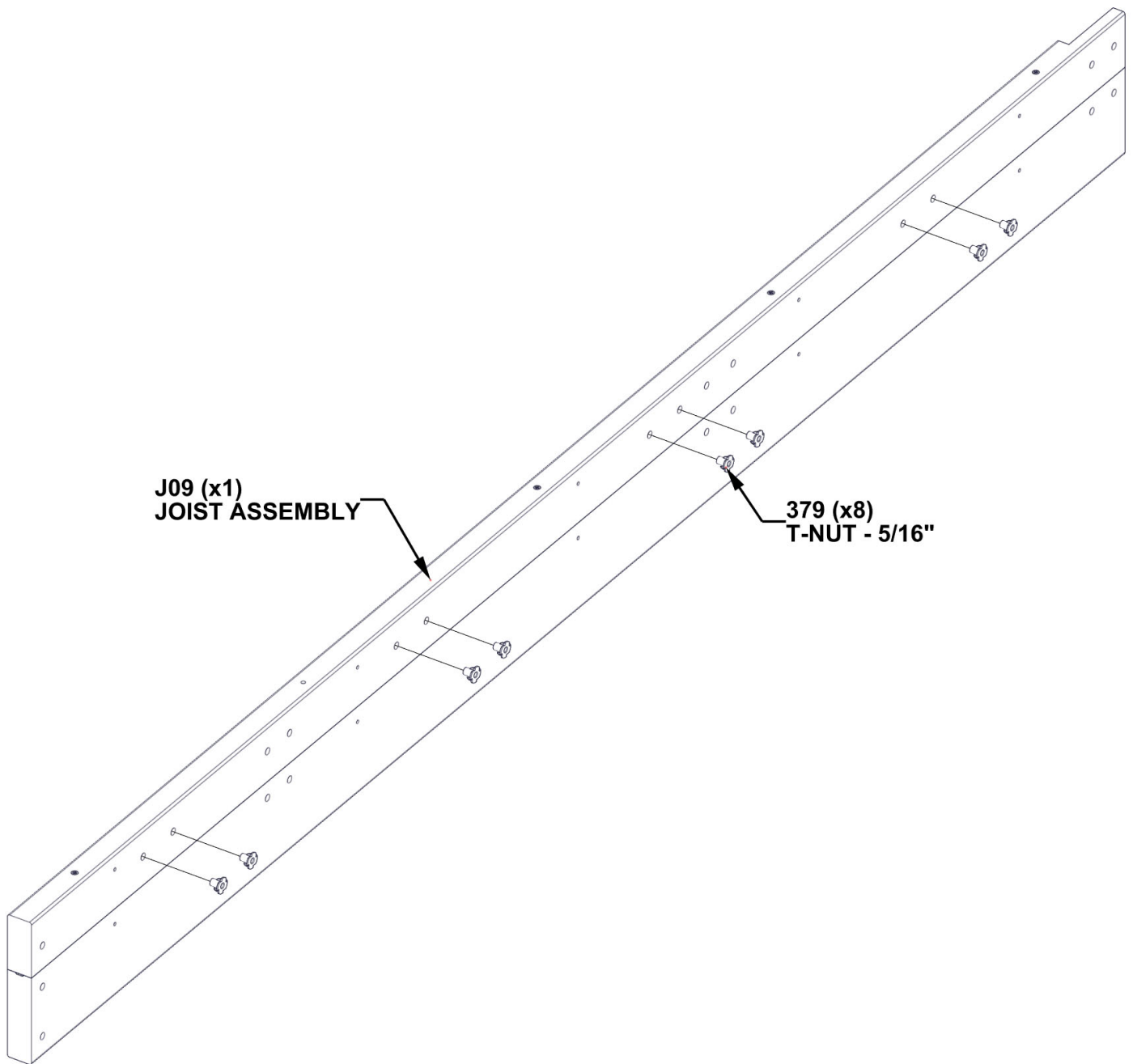
# STEP 6 - GAZEBO ASSEMBLY

Qty	PART NUMBER	DESCRIPTION
8	H100379	T-NUT 5/16 BLK



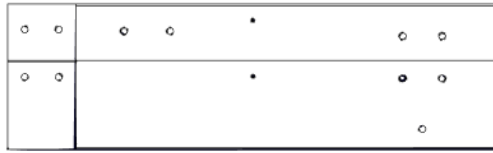
J09 JOIST ASSEMBLY - W2A03647  
(x1) 1 7/16"x8 7/16"x97 9/16" (36x214x2478)

**NOTE:**  
• NOTCH IN JOIST ASSEMBLY FOR LOCATION OF T-NUTS.



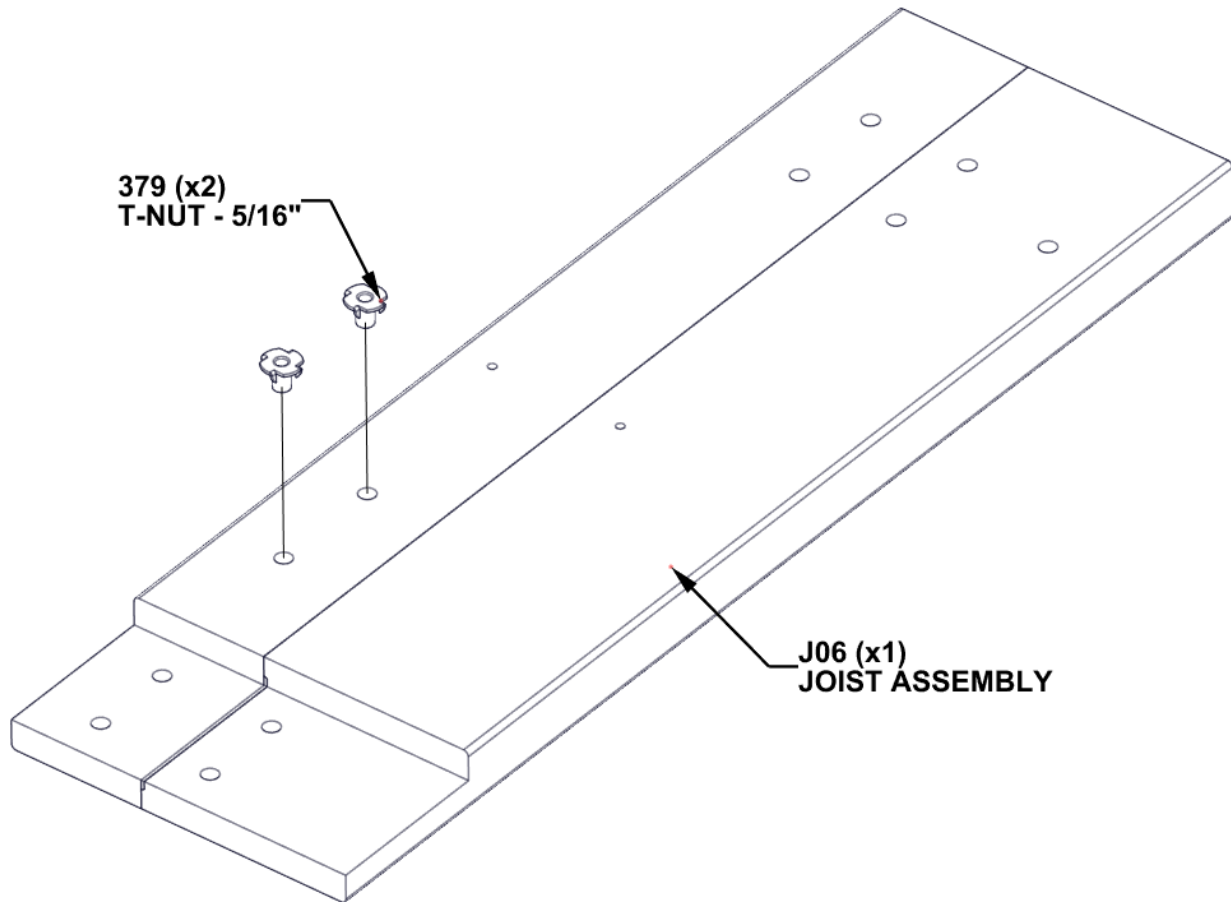
# STEP 7- GAZEBO ASSEMBLY

Qty	PART NUMBER	DESCRIPTION
2	H100379	T-NUT 5/16 BLK



J06 JOIST ASSEMBLY - W2A03645  
(x1) 1 7/16"x8 7/16"x28 7/16" (36x214x722)

**NOTES:**  
• NOTE NOTCH IN JOIST FOR LOCATION OF T-NUTS.



# STEP 8A - GAZEBO ASSEMBLY

Qty	PART NUMBER	DESCRIPTION
4	H100198	WASHER LOCK EXT 8x19
4	H100205	BOLT WH 5/16x2 1/4 BLK
4	H100379	TNUT-5/16" BLK

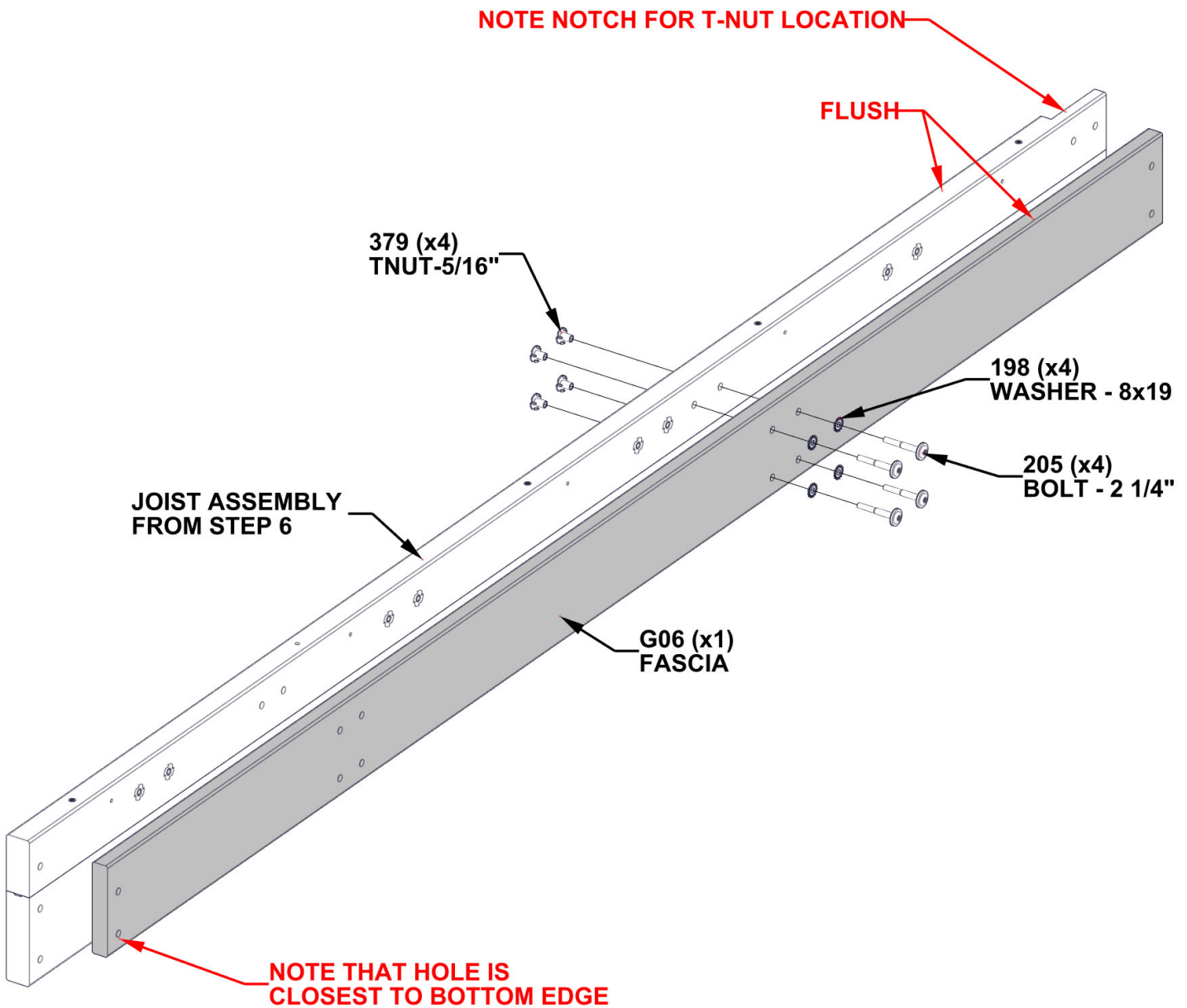


G06 FASCIA - W4L17420  
 (x1) 15/16"x5 1/4"x95 9/16" (24x134x2428)



JOIST ASSEMBLY FROM STEP 6

## INSERT T-NUTS FIRST

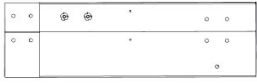


# STEP 8B - GAZEBO ASSEMBLY

Qty	PART NUMBER	DESCRIPTION
8	H100198	WASHER LOCK EXT 8x19
8	H100379	TNUT-5/16" BLK
8	H100503	BOLT WH 5/16x3 1/2 BLK



JOIST WITH FASCIA ASSEMBLY FROM PREVIOUS STEPS



JOIST ASSEMBLY WITH T-TNUTS FROM STEP 7

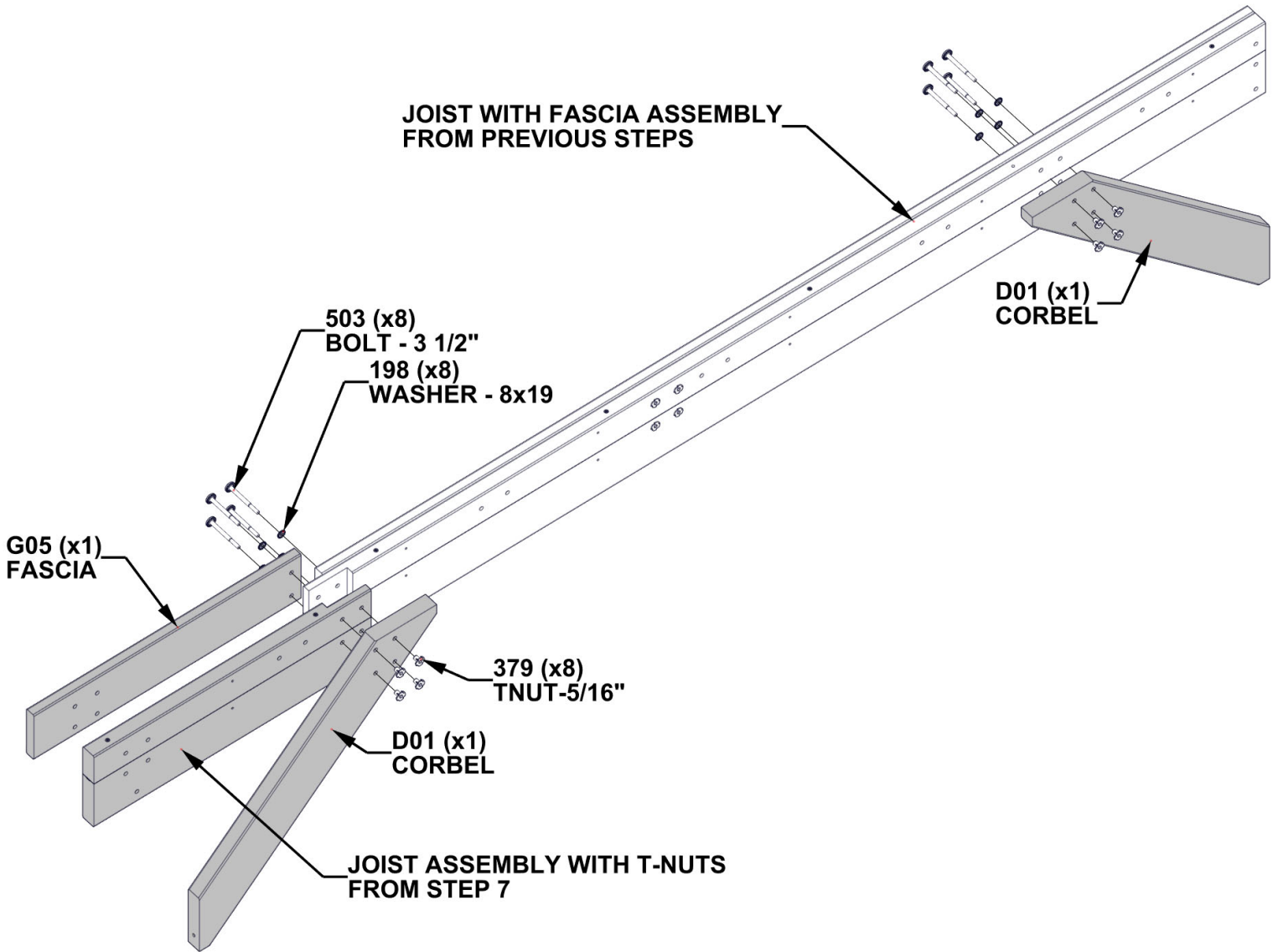


D01 CORBEL - W4L17290 (x2) 1 7/16"x5 1/4"x34 7/16" (36x134x874)



G05 FASCIA - W4L17419 (x1) 15/16"x5 1/4"x27 3/8" (24x134x696)

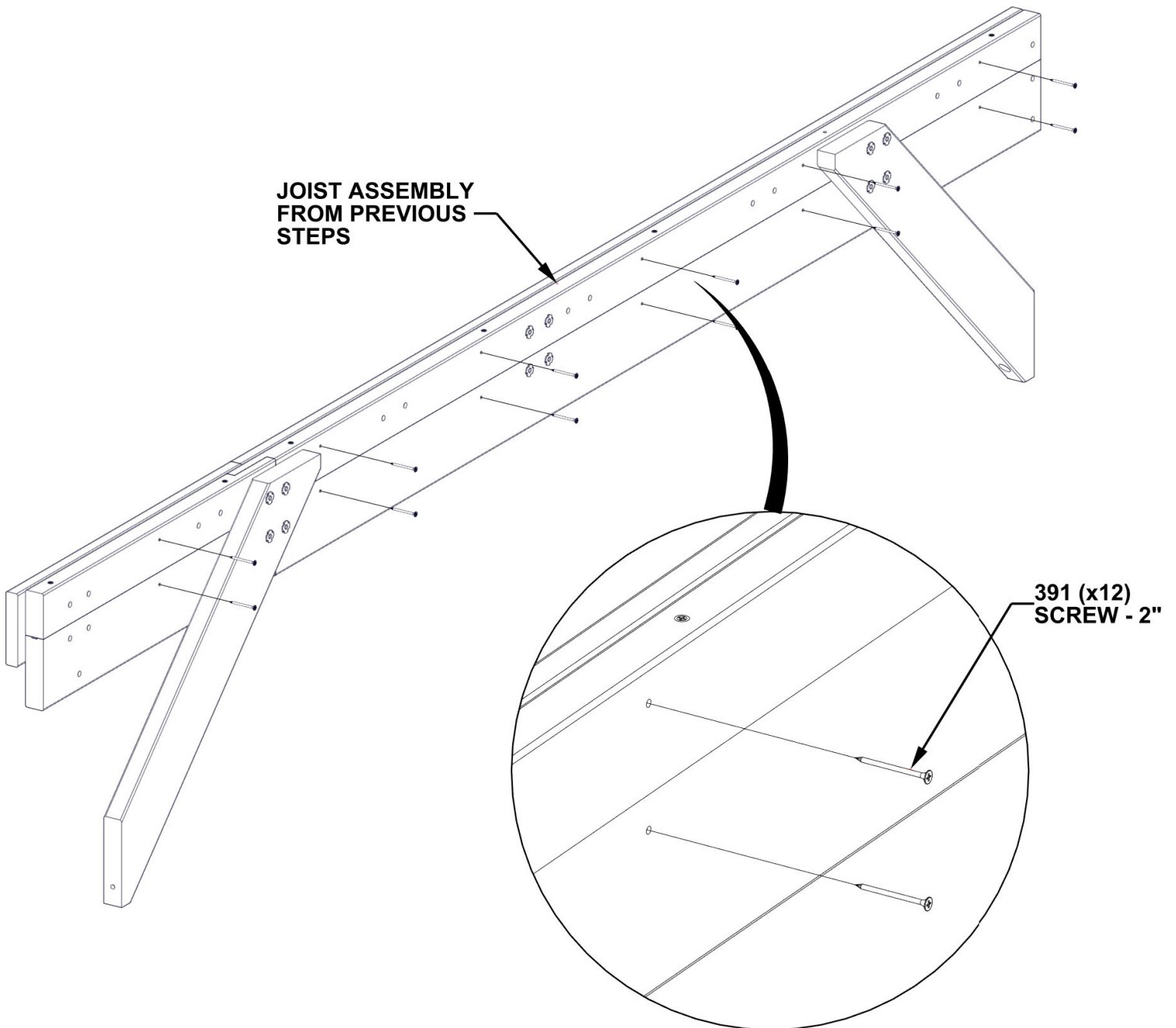
**INSERT T-NUTS FIRST**





# STEP 8C - GAZEBO ASSEMBLY

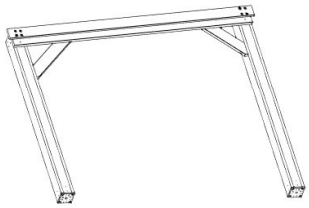
Qty	PART NUMBER	DESCRIPTION
12	H100391	SCREW PFH 8x2 BLK



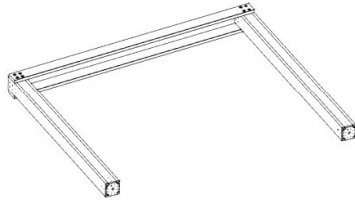
**SET JOIST ASSEMBLY TO THE SIDE**

# STEP 9 - GAZEBO ASSEMBLY

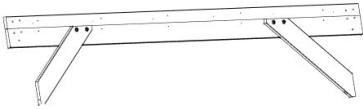
Qty	PART NUMBER	DESCRIPTION
2	H100197	LAG SCREW WH 5/16x2 1/2 BLK
8	H100198	WASHER LOCK EXT 8x19
6	H100379	TNUT-5/16" BLK
2	H100405	WASHER LOCK EXT 6x15
2	H100792	LAG SCREW WH 1/4x3 BLK
6	H101153	BOLT WH 5/16x8 1/4 BLK



LEFT SIDE ASSEMBLY FROM PREVIOUS STEPS



CENTER ASSEMBLY FROM PREVIOUS STEPS



JOIST ASSEMBLY FROM PREVIOUS STEPS

**NOTE:**  
 • EXTRA PEOPLE ARE HELPFUL FOR THIS STEP.  
 • THE FRONT OF THE UNIT IS DETERMINED BY THE TALLER POST.

## INSERT T-NUTS FIRST

379 (x6)  
TNUT-5/16"

198 (x8)  
WASHER - 8x19

1153 (x6)  
BOLT - 8 1/4"

LAG SCREW WILL GO IN THE BOTTOM HOLE

197 (x2)  
LAG SCREW - 2 1/2"

405 (x2)  
WASHER - 6x15

792 (x2)  
LAG SCREW - 3"

LEFT SIDE ASSEMBLY FROM PREVIOUS STEPS

ALIGN CORBEL WITH PILOT HOLE IN POST

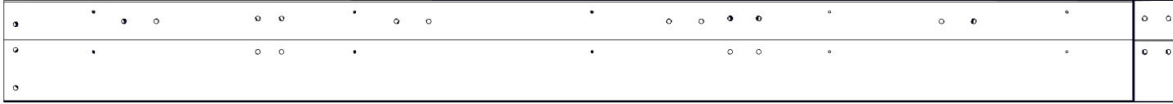
CENTER ASSEMBLY FROM PREVIOUS STEPS

BACK

JOIST ASSEMBLY FROM PREVIOUS STEPS

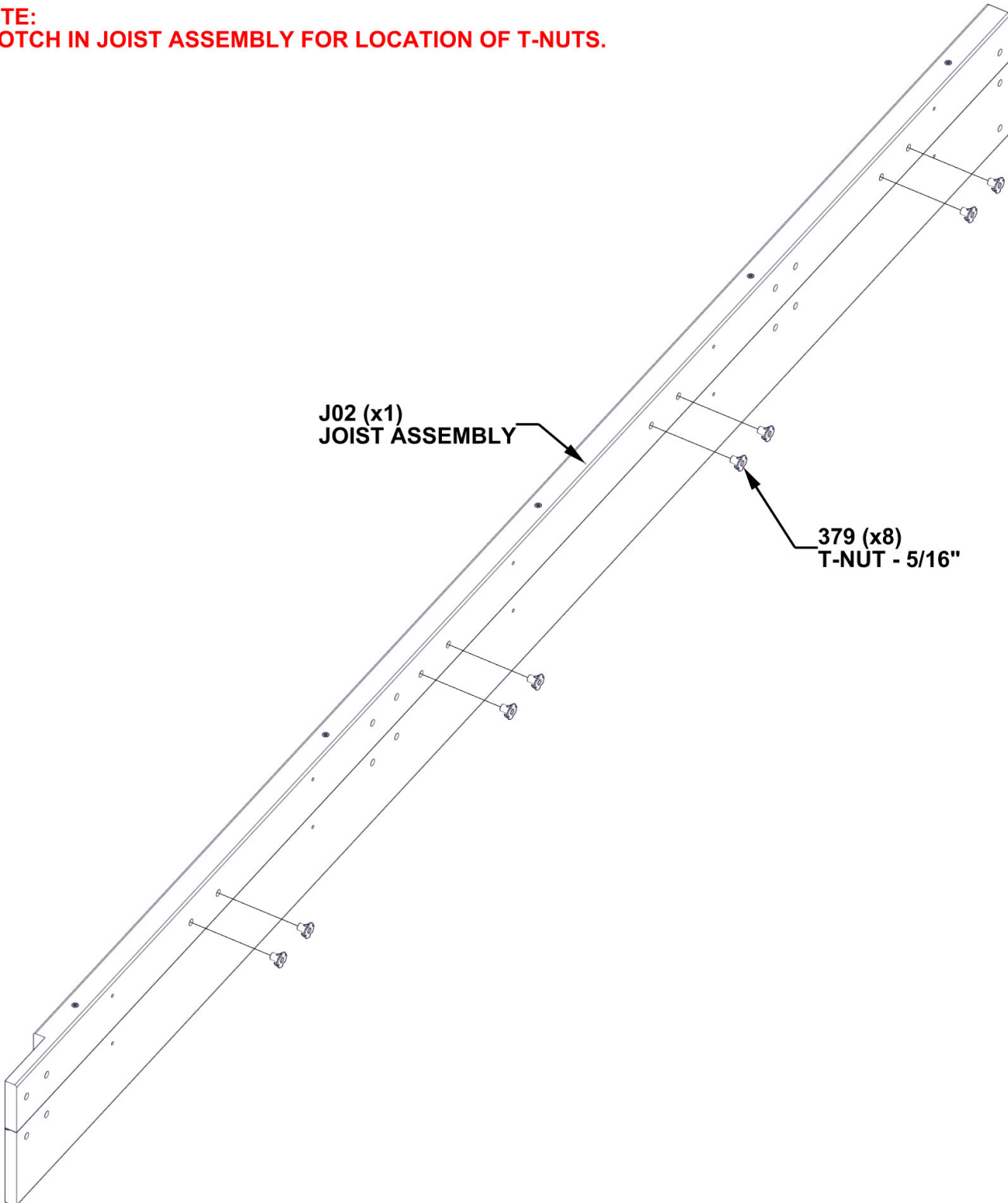
# STEP 10 - GAZEBO ASSEMBLY

Qty	PART NUMBER	DESCRIPTION
8	H100379	T-NUT 5/16 BLK



J02 JOIST ASSEMBLY - W2A03638  
(x1) 1 7/16"x8 7/16"x97 9/16" (36x214x2478)

**NOTE:**  
• NOTCH IN JOIST ASSEMBLY FOR LOCATION OF T-NUTS.



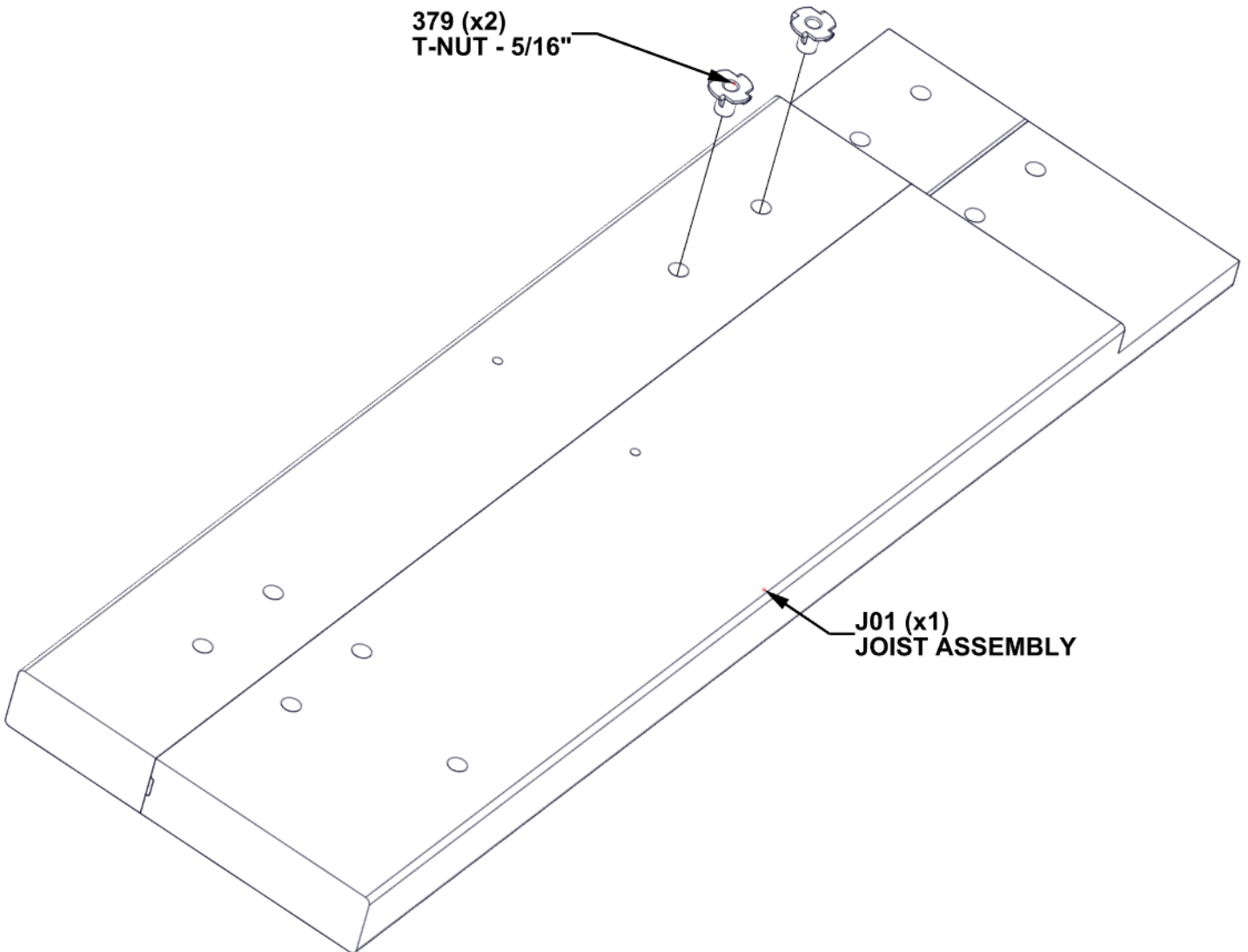
# STEP 11- GAZEBO ASSEMBLY

Qty	PART NUMBER	DESCRIPTION
2	H100379	T-NUT 5/16 BLK



J01 JOIST ASSEMBLY - W2A03642  
(x1) 1 7/16"x8 7/16"x28 7/16" (36x214x722)

**NOTES:**  
• NOTE NOTCH IN JOIST FOR LOCATION OF T-NUTS.

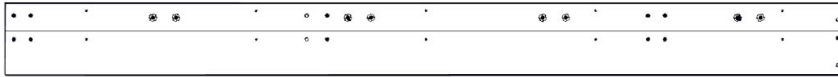


# STEP 12A - GAZEBO ASSEMBLY

Qty	PART NUMBER	DESCRIPTION
4	H100198	WASHER LOCK EXT 8x19
4	H100205	BOLT WH 5/16x2 1/4 BLK
4	H100379	TNUT-5/16" BLK

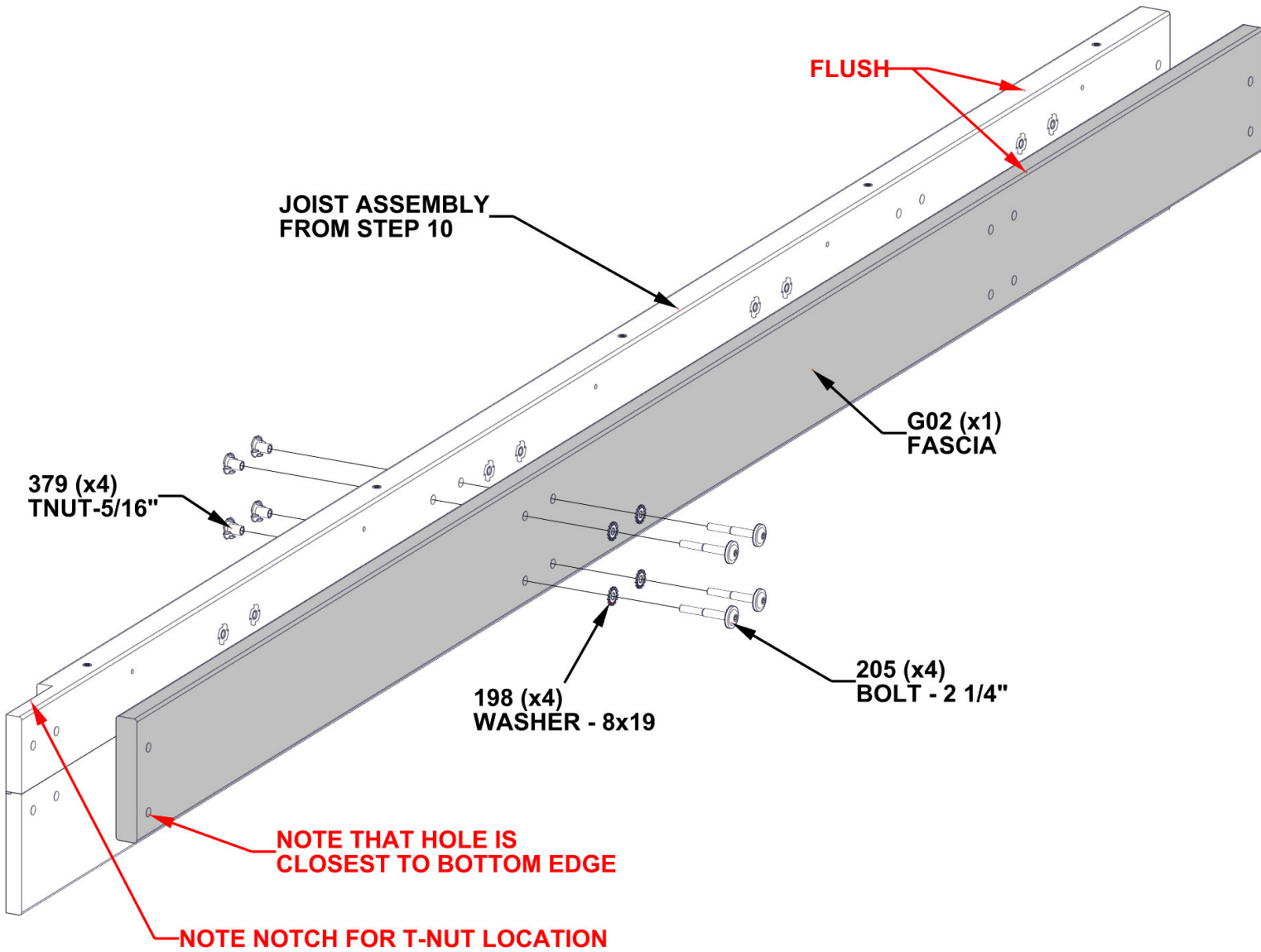


G02 FASCIA - W4L17418  
 (x1) 15/16"x5 1/4"x95 9/16" (24x134x2428)



JOIST ASSEMBLY FROM STEP 10

## INSERT T-NUTS FIRST



# STEP 12B - GAZEBO ASSEMBLY

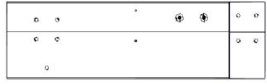
Qty	PART NUMBER	DESCRIPTION
8	H100198	WASHER LOCK EXT 8x19
8	H100379	TNUT-5/16" BLK
8	H100503	BOLT WH 5/16x3 1/2 BLK



**JOIST WITH FASCIA ASSEMBLY FROM PREVIOUS STEPS**



**D02 CORBEL W/TAG - W2A03544 (x1) 1 7/16"x5 1/4"x34 7/16" (36x134x874)**



**JOIST ASSEMBLY WITH T-NUTS FROM STEP 11**

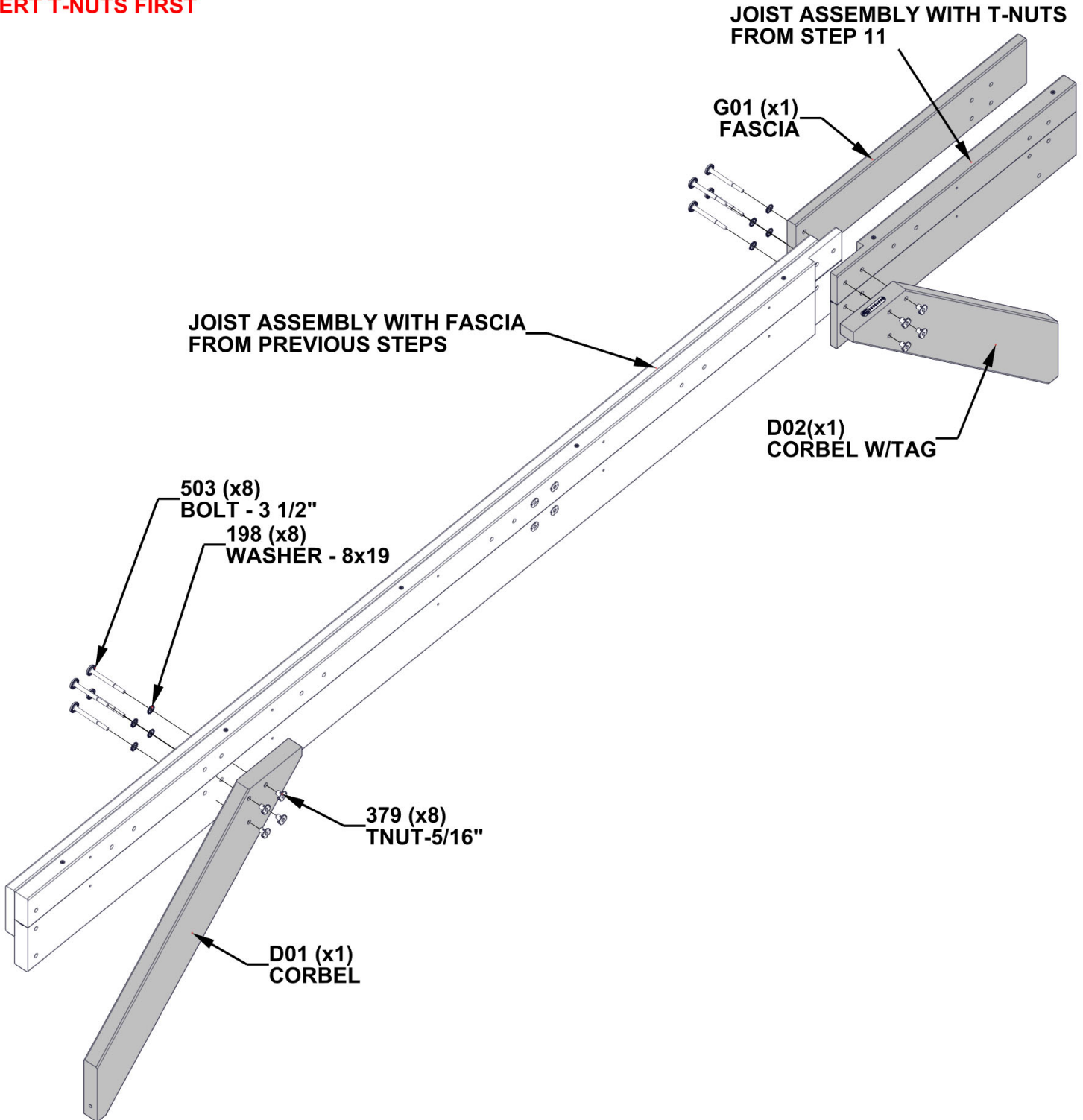


**D01 CORBEL - W4L17290 (x1) 1 7/16"x5 1/4"x34 7/16" (36x134x874)**



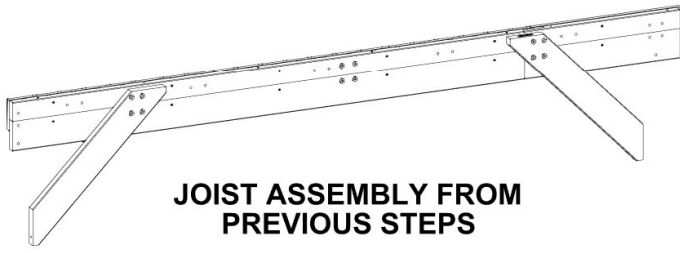
**G01 FASCIA - W4L17417 (x1) 15/16"x5 1/4"x27 3/8" (24x134x696)**

**INSERT T-NUTS FIRST**

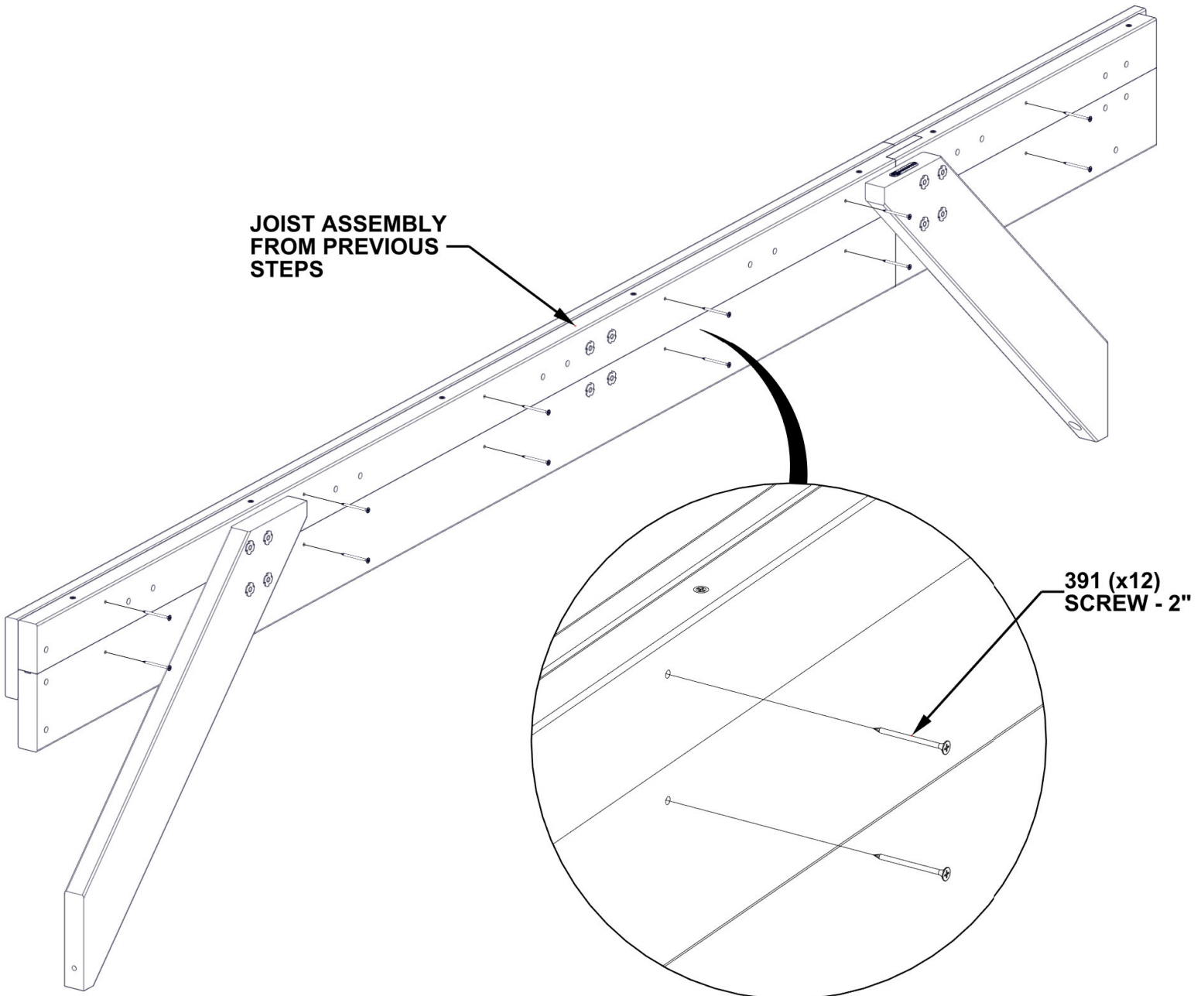


# STEP 12C - GAZEBO ASSEMBLY

Qty	PART NUMBER	DESCRIPTION
12	H100391	SCREW PFH 8x2 BLK

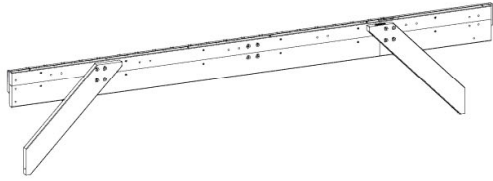


**JOIST ASSEMBLY FROM PREVIOUS STEPS**





# STEP 13 - GAZEBO ASSEMBLY

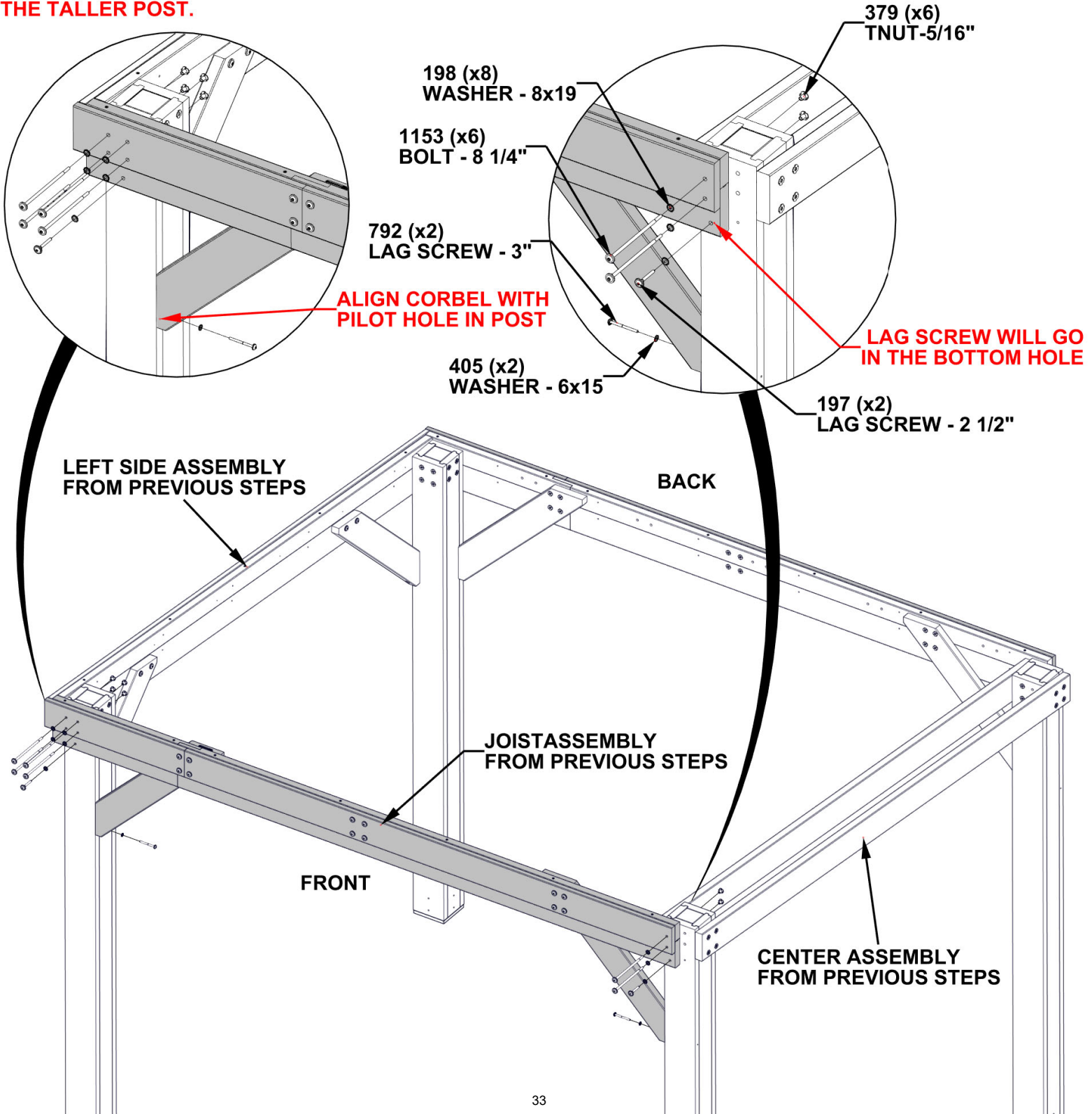


**JOIST ASSEMBLY  
FROM PREVIOUS STEPS**

Qty	PART NUMBER	DESCRIPTION
2	H100197	LAG SCREW WH 5/16x2 1/2 BLK
8	H100198	WASHER LOCK EXT 8x19
6	H100379	TNUT-5/16" BLK
2	H100405	WASHER LOCK EXT 6x15
2	H100792	LAG SCREW WH 1/4x3 BLK
6	H101153	BOLT WH 5/16x8 1/4 BLK

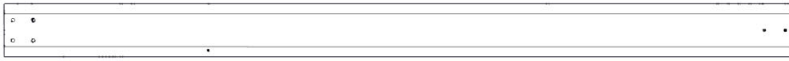
**NOTE:**  
 • EXTRA PEOPLE ARE HELPFUL FOR THIS STEP.  
 • THE FRONT OF THE UNIT IS DETERMINED BY THE TALLER POST.

**INSERT T-NUTS FIRST**



# STEP 14 - RIGHT SIDE ASSEMBLY

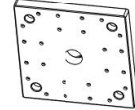
Qty	PART NUMBER	DESCRIPTION
8	H100200	SCREW PFH 8x1 1/2 BLK



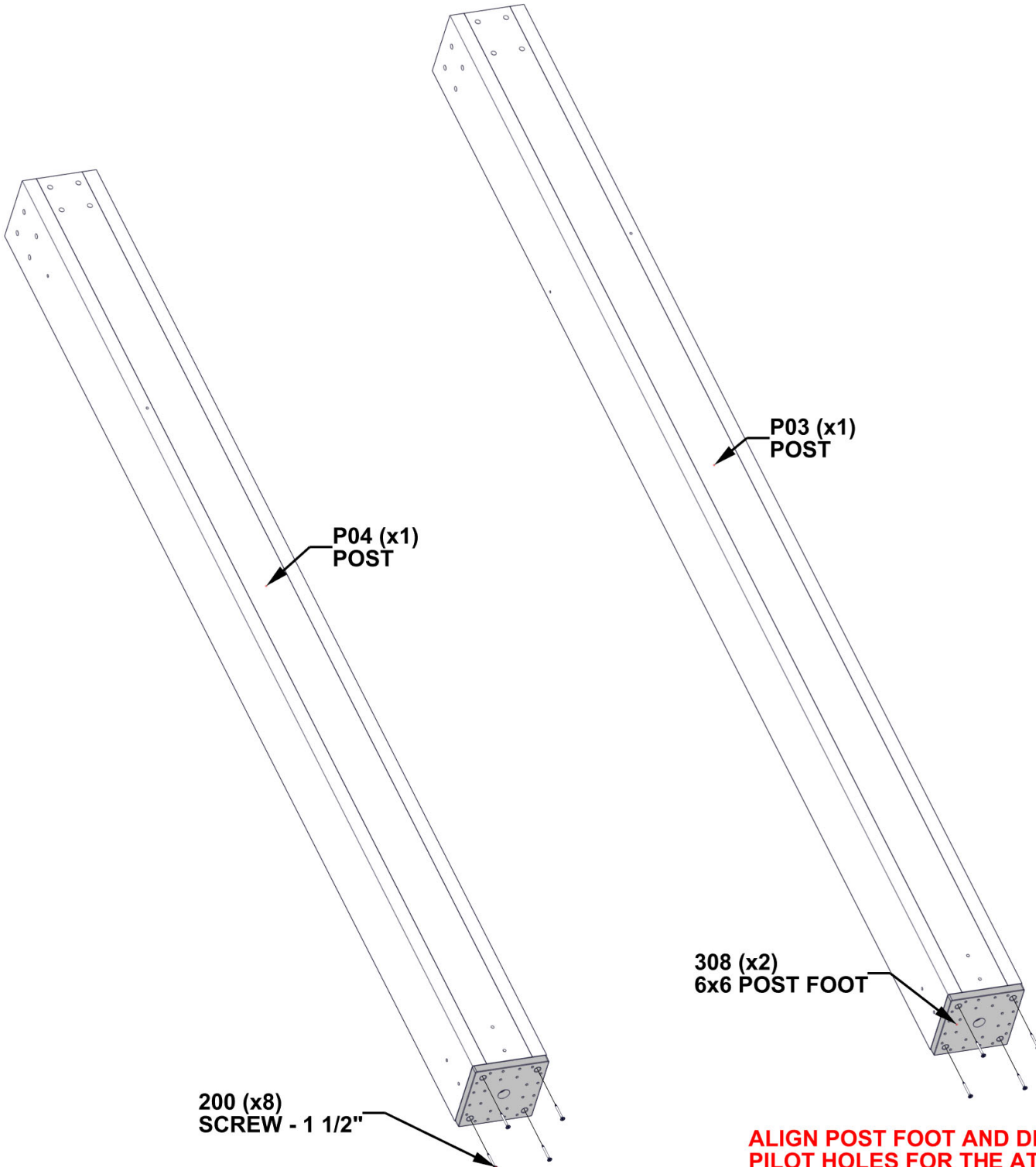
P04 POST - W2A03637  
(x1) 6"x6"x89 1/16" (152x152x2262)



P03 POST - W2A03635  
(x1) 6"x6"x98 1/2" (152x152x2502)



A6P00308 6x6 POST FOOT  
(x2)



# STEP 15 - RIGHT SIDE ASSEMBLY

Qty	PART NUMBER	DESCRIPTION
4	H100195	BOLT WH 5/16x2 3/4 BLK
4	H100198	WASHER LOCK EXT 8x19
4	H100379	TNUT-5/16" BLK



D04 CORBEL - W4L17299  
(x1) 1 3/8"x5 1/4"x33 7/8" (36x134x860)



D03 CORBEL - W4L17297  
(x1) 1 3/8"x5 1/4"x27 1/4" (36x134x692)

LEFT



J08 JOIST ASSEMBLY - W2A03641  
(x1) 1 7/16"x8 7/16"x110 5/16" (36x214x2801)

RIGHT

**HAND TIGHTEN**

379 (x4)  
TNUT-5/16"

198 (x4)  
WASHER - 8x19

195 (x4)  
BOLT-2 3/4"

**INSERT T-NUTS INTO JOIST ASSEMBLY FIRST**

RIGHT

D03 (x1)  
CORBEL

J08 (x1)  
JOIST ASSEMBLY

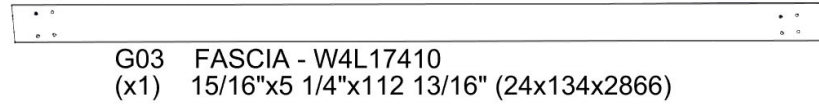
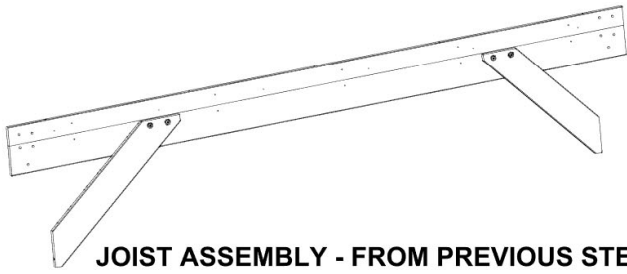
**NOTE PILOT HOLES ON THIS SIDE FOR BOARD ORIENTATION**

LEFT

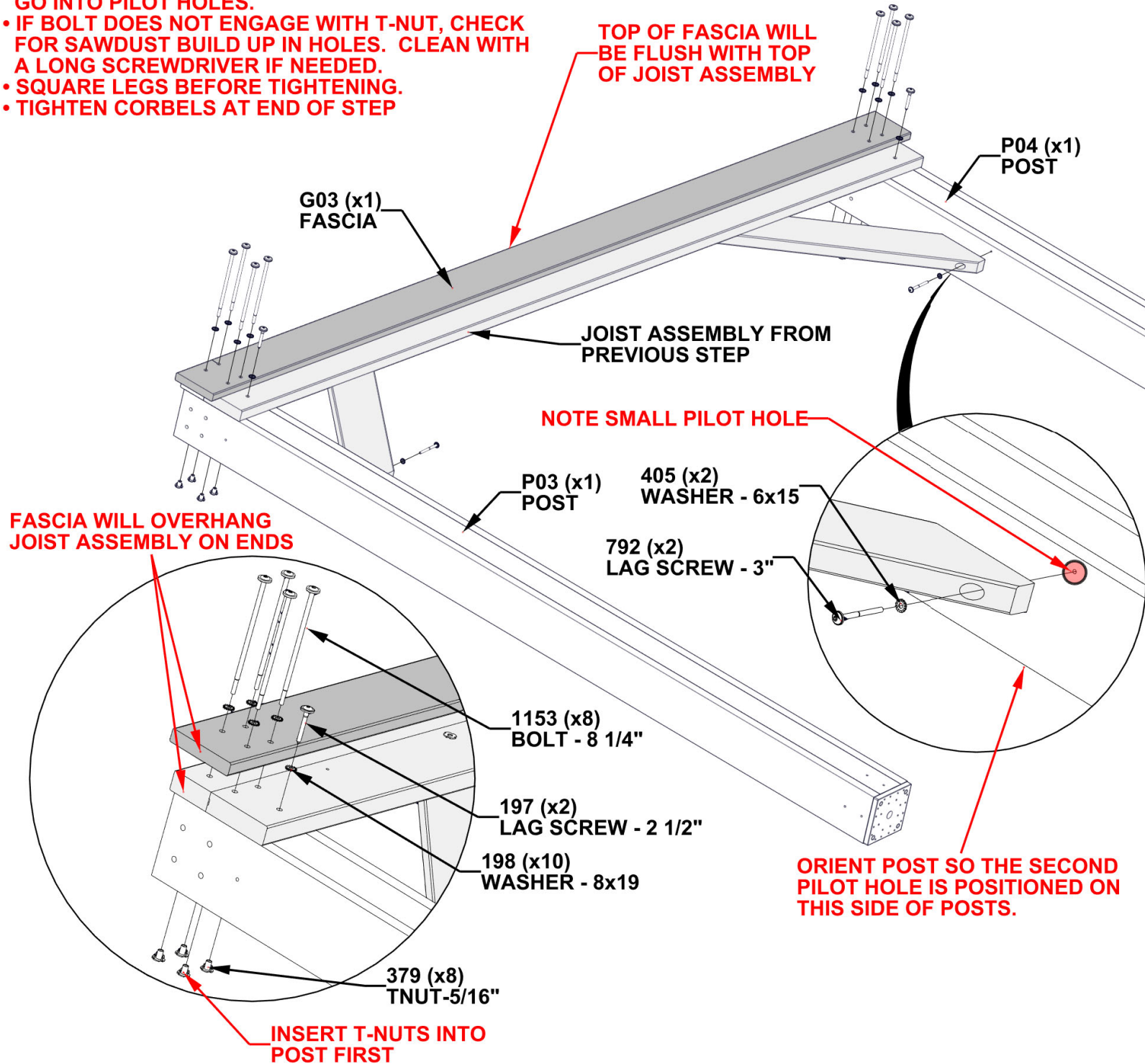
D04 (x1)  
CORBEL

# STEP 16A - RIGHT SIDE ASSEMBLY

Qty	PART NUMBER	DESCRIPTION
2	H100197	LAG SCREW WH 5/16x2 1/2 BLK
10	H100198	WASHER LOCK EXT 8x19
8	H100379	TNUT-5/16" BLK
2	H100405	WASHER LOCK EXT 6x15
2	H100792	LAG SCREW WH 1/4x3 BLK
8	H101153	BOLT WH 5/16x8 1/4 BLK

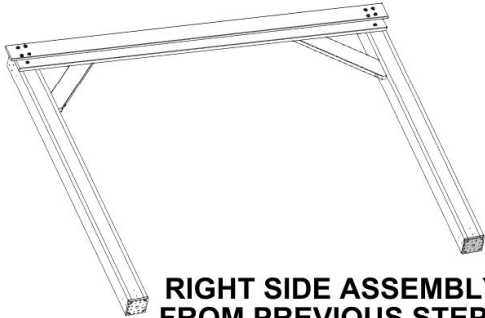


- NOTES:**
- TO AVOID SPLITTING, MAKE SURE LAG SCREWS GO INTO PILOT HOLES.
  - IF BOLT DOES NOT ENGAGE WITH T-NUT, CHECK FOR SAWDUST BUILD UP IN HOLES. CLEAN WITH A LONG SCREWDRIVER IF NEEDED.
  - SQUARE LEGS BEFORE TIGHTENING.
  - TIGHTEN CORBELS AT END OF STEP

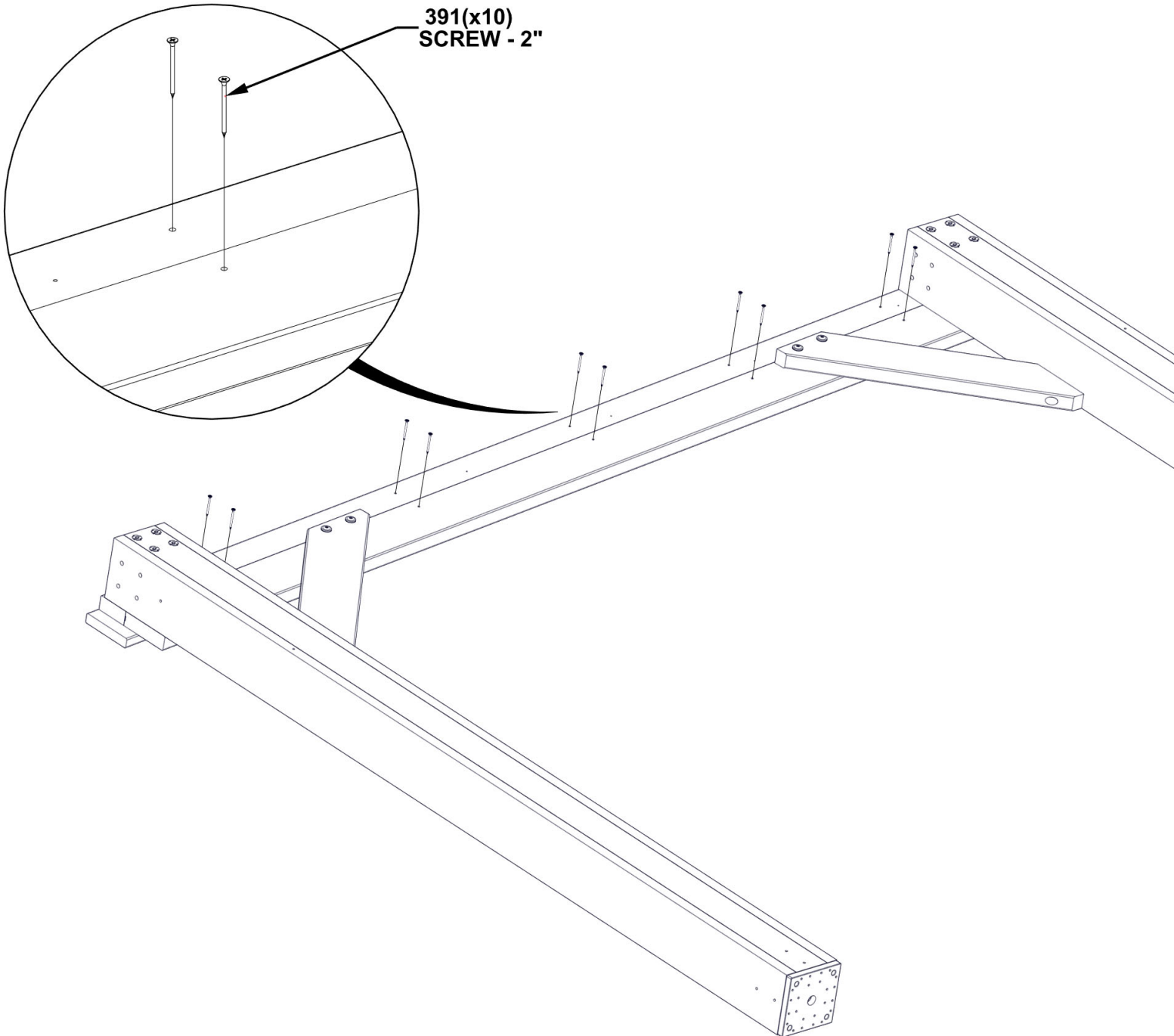


# STEP 16B - RIGHT SIDE ASSEMBLY

Qty	PART NUMBER	DESCRIPTION
10	H100391	SCREW PFH 8x2 BLK



RIGHT SIDE ASSEMBLY FROM PREVIOUS STEPS

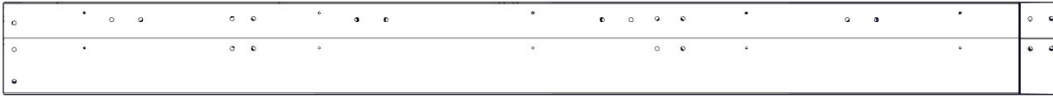


391(x10)  
SCREW - 2"

**SET RIGHT SIDE ASSEMBLY TO THE SIDE**

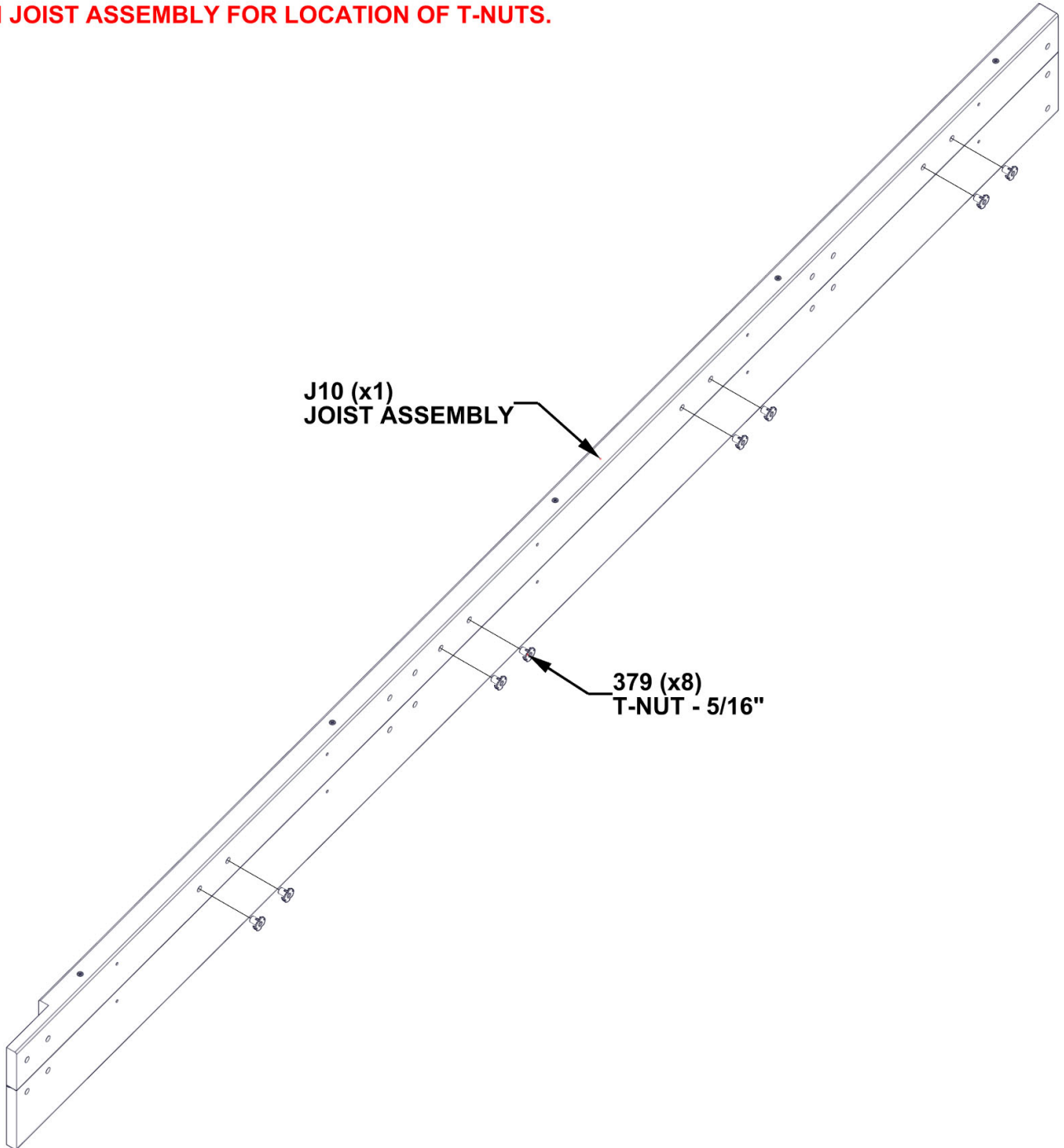
# STEP 17 - GAZEBO ASSEMBLY

Qty	PART NUMBER	DESCRIPTION
8	H100379	T-NUT 5/16 BLK



J10 JOIST ASSEMBLY - W2A03648  
(x1) 1 7/16"x8 7/16"x97 9/16" (36x214x2478)

**NOTE:**  
• NOTCH IN JOIST ASSEMBLY FOR LOCATION OF T-NUTS.



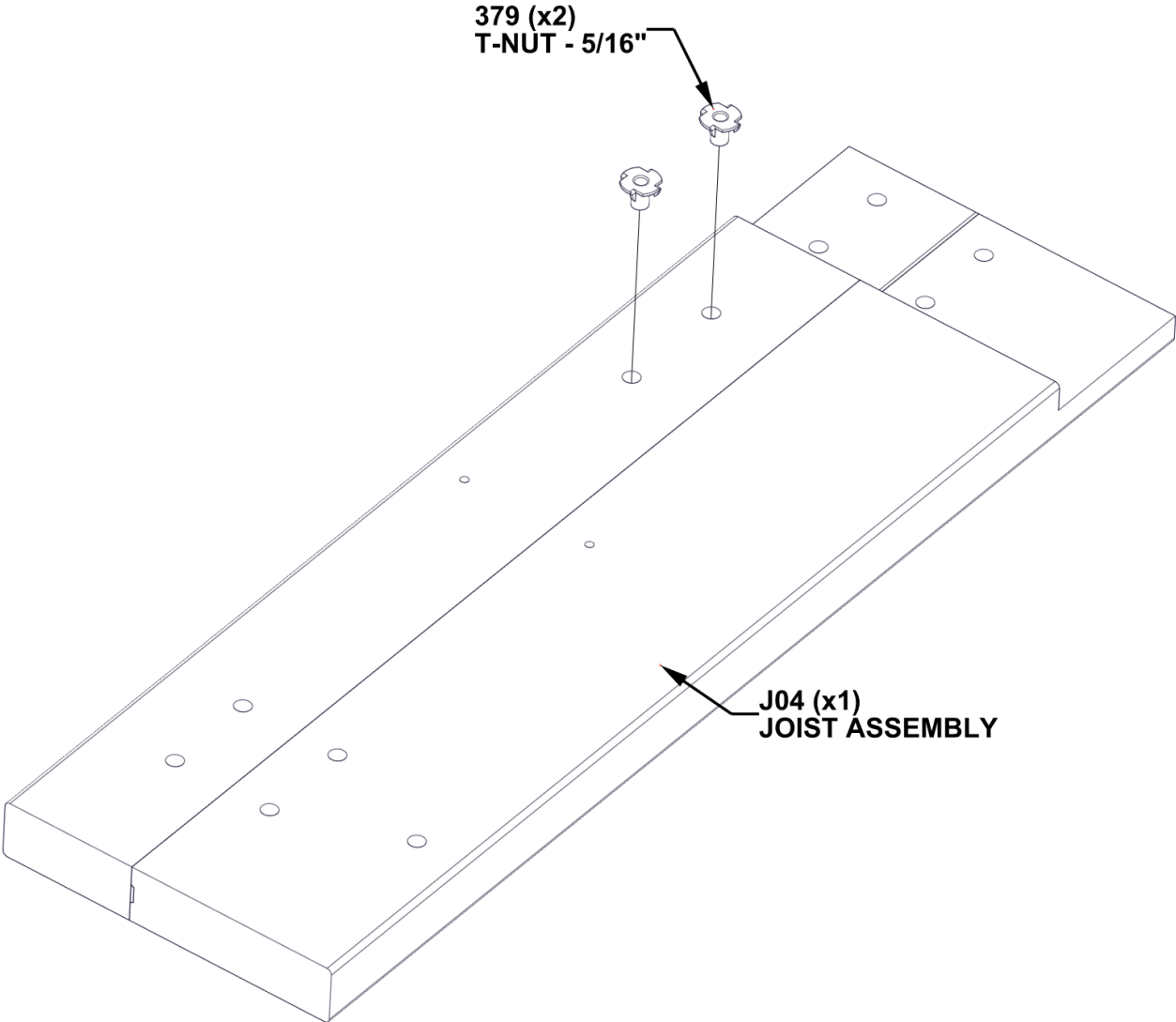
# STEP 18 - GAZEBO ASSEMBLY

Qty	PART NUMBER	DESCRIPTION
2	H100379	T-NUT 5/16 BLK



J04 JOIST ASSEMBLY - W2A03644  
 (x1) 1 7/16"x8 7/16"x28 7/16" (36x214x722)

**NOTES:**  
 • NOTE NOTCH IN JOIST FOR LOCATION OF T-NUTS.



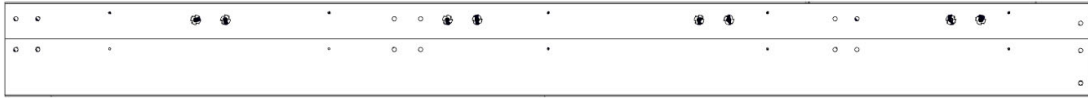


# STEP 19A - GAZEBO ASSEMBLY

Qty	PART NUMBER	DESCRIPTION
4	H100198	WASHER LOCK EXT 8x19
4	H100205	BOLT WH 5/16x2 1/4 BLK
4	H100379	TNUT-5/16" BLK

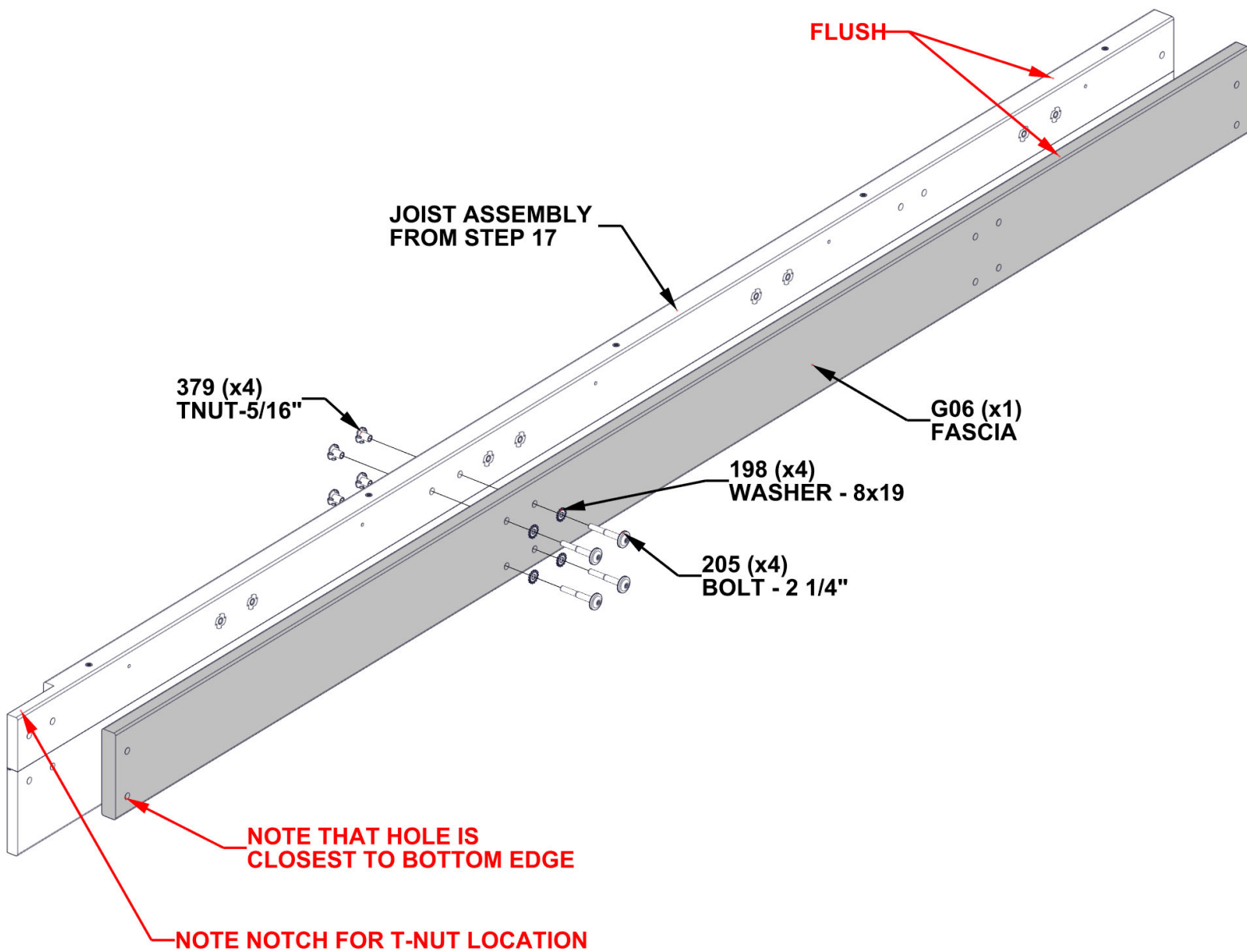


G06 FASCIA - W4L17420  
 (x1) 15/16"x5 1/4"x95 9/16" (24x134x2428)



JOIST ASSEMBLY FROM STEP 17

**INSERT T-NUTS FIRST**



# STEP 19B - GAZEBO ASSEMBLY

Qty	PART NUMBER	DESCRIPTION
8	H100198	WASHER LOCK EXT 8x19
8	H100379	TNUT-5/16" BLK
8	H100503	BOLT WH 5/16x3 1/2 BLK



JOIST ASSEMBLY WITH FASCIA  
FROM PREVIOUS STEP



JOIST ASSEMBLY WITH TNUTS  
FROM STEP 18

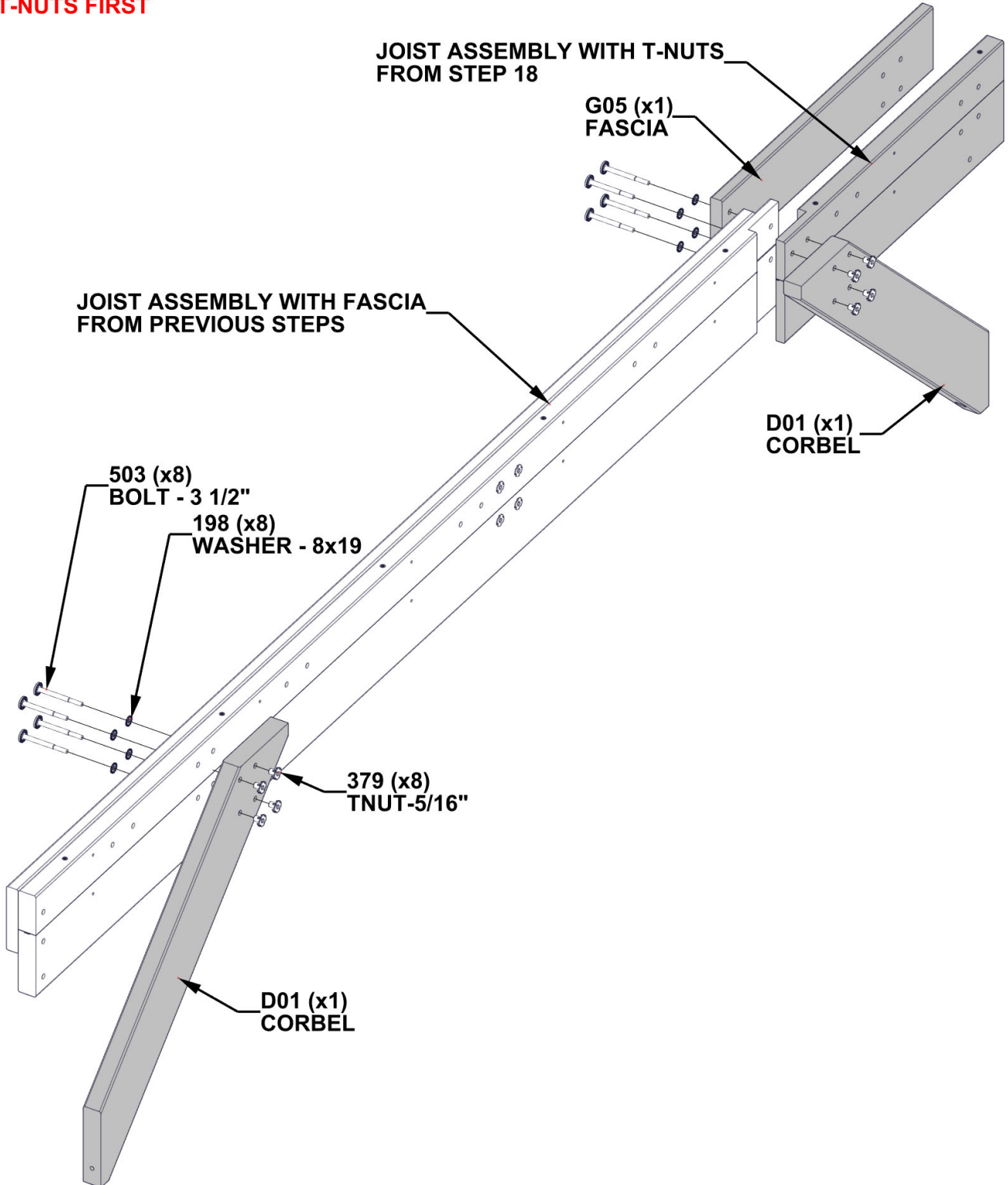


D01 CORBEL - W4L17290  
(x2) 1 7/16"x5 1/4"x34 7/16" (36x134x874)



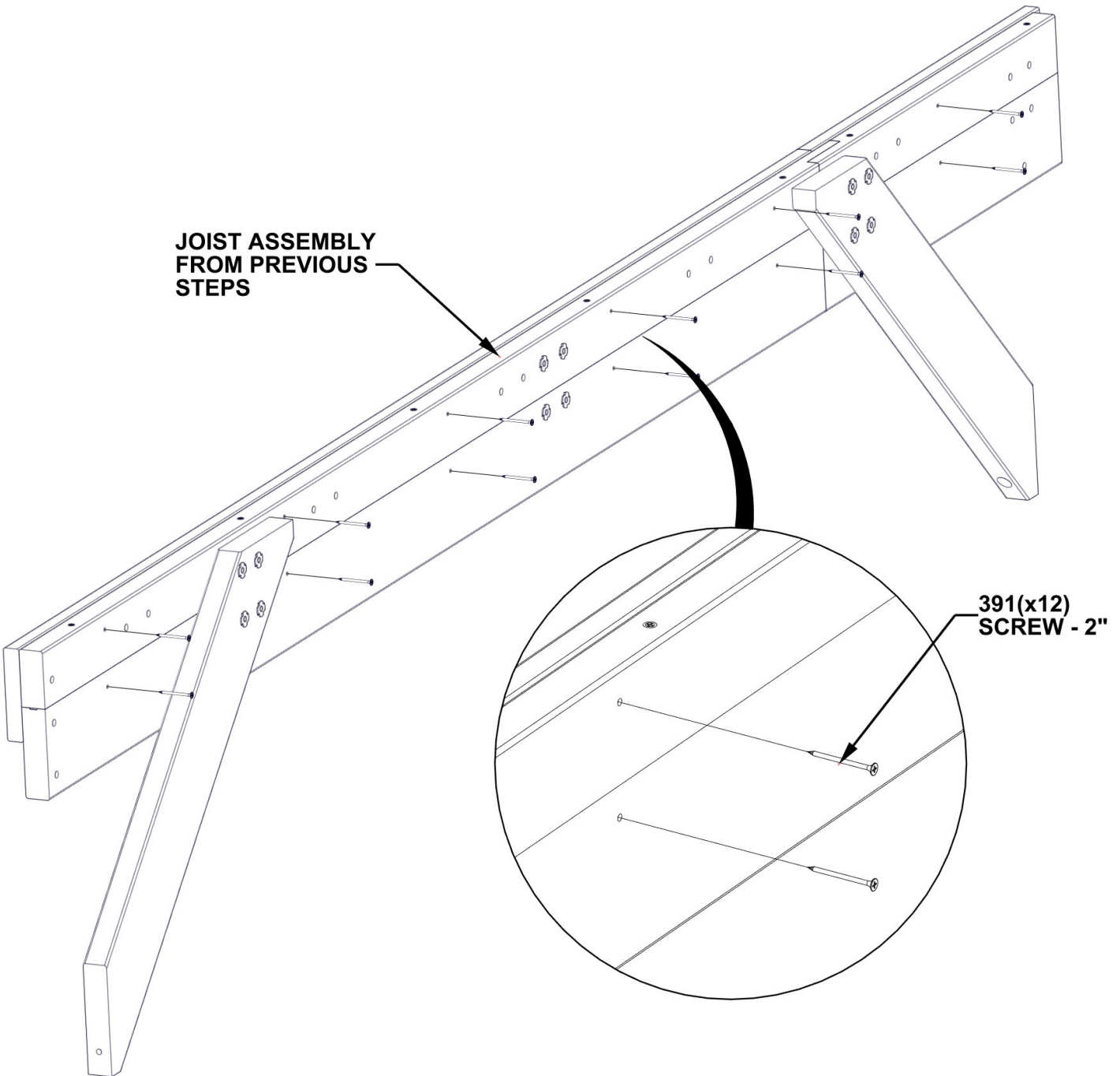
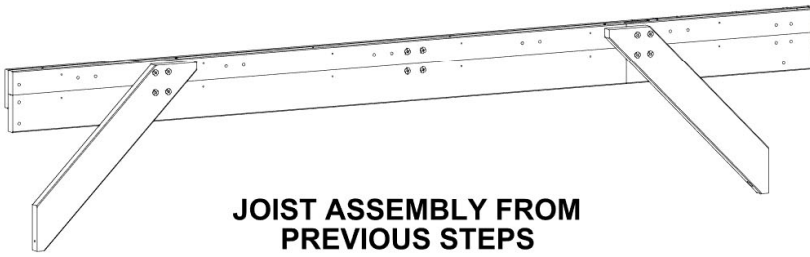
G05 FASCIA - W4L17419  
(x1) 15/16"x5 1/4"x27 3/8" (24x134x696)

## INSERT T-NUTS FIRST

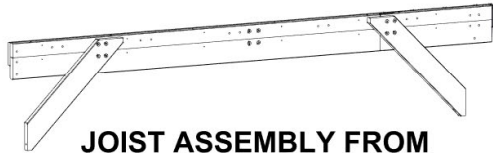


# STEP 19C - GAZEBO ASSEMBLY

Qty	PART NUMBER	DESCRIPTION
12	H100391	SCREW PFH 8x2 BLK



# STEP 20 - GAZEBO ASSEMBLY

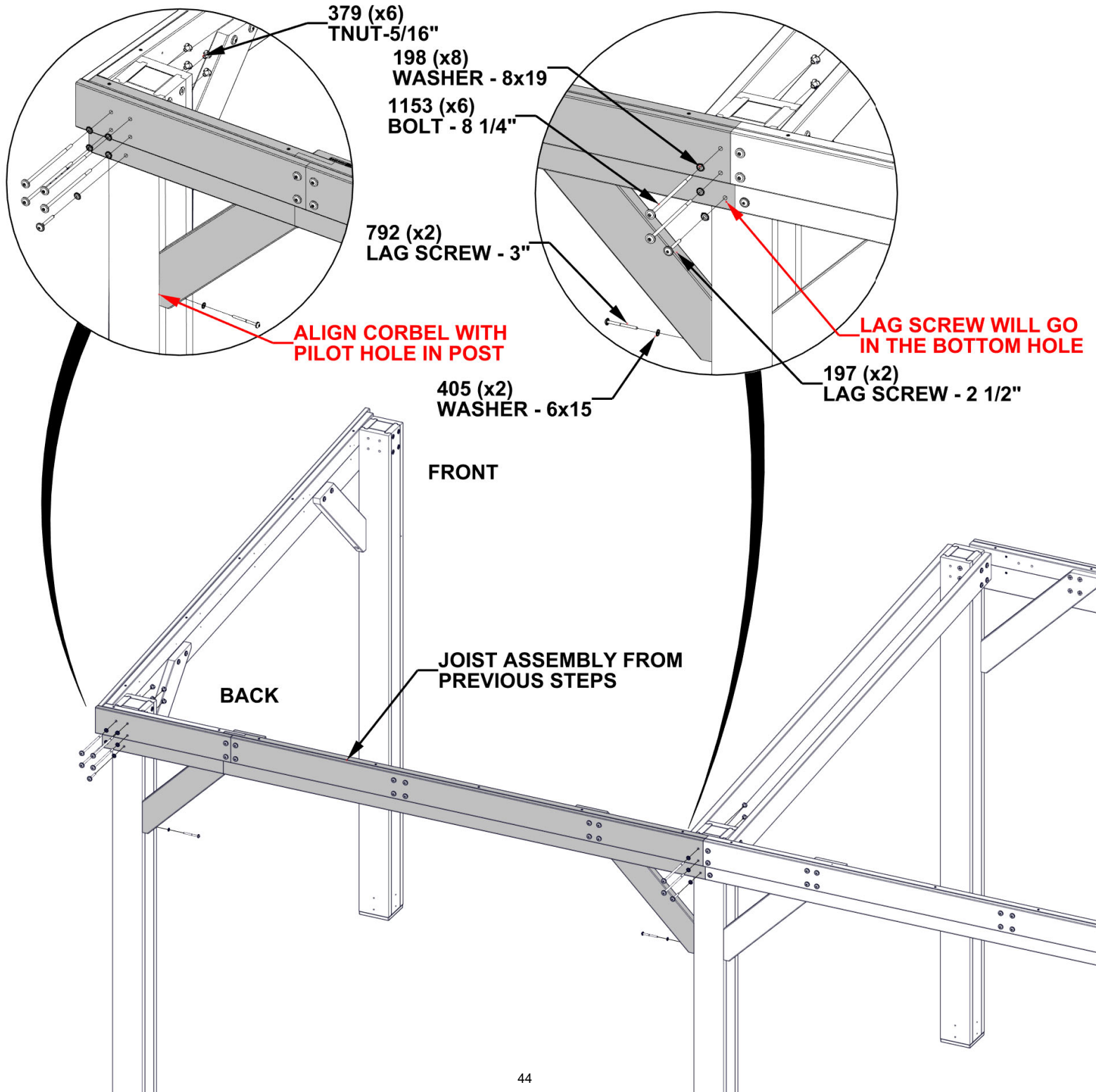


JOIST ASSEMBLY FROM PREVIOUS STEPS

Qty	PART NUMBER	DESCRIPTION
2	H100197	LAG SCREW WH 5/16x2 1/2 BLK
8	H100198	WASHER LOCK EXT 8x19
6	H100379	TNUT-5/16" BLK
2	H100405	WASHER LOCK EXT 6x15
2	H100792	LAG SCREW WH 1/4x3 BLK
6	H101153	BOLT WH 5/16x8 1/4 BLK

**NOTE:**  
 • EXTRA PEOPLE ARE HELPFUL FOR THIS STEP.  
 • THE FRONT OF THE UNIT IS DETERMINED BY THE TALLER POST.

**INSERT T-NUTS FIRST**



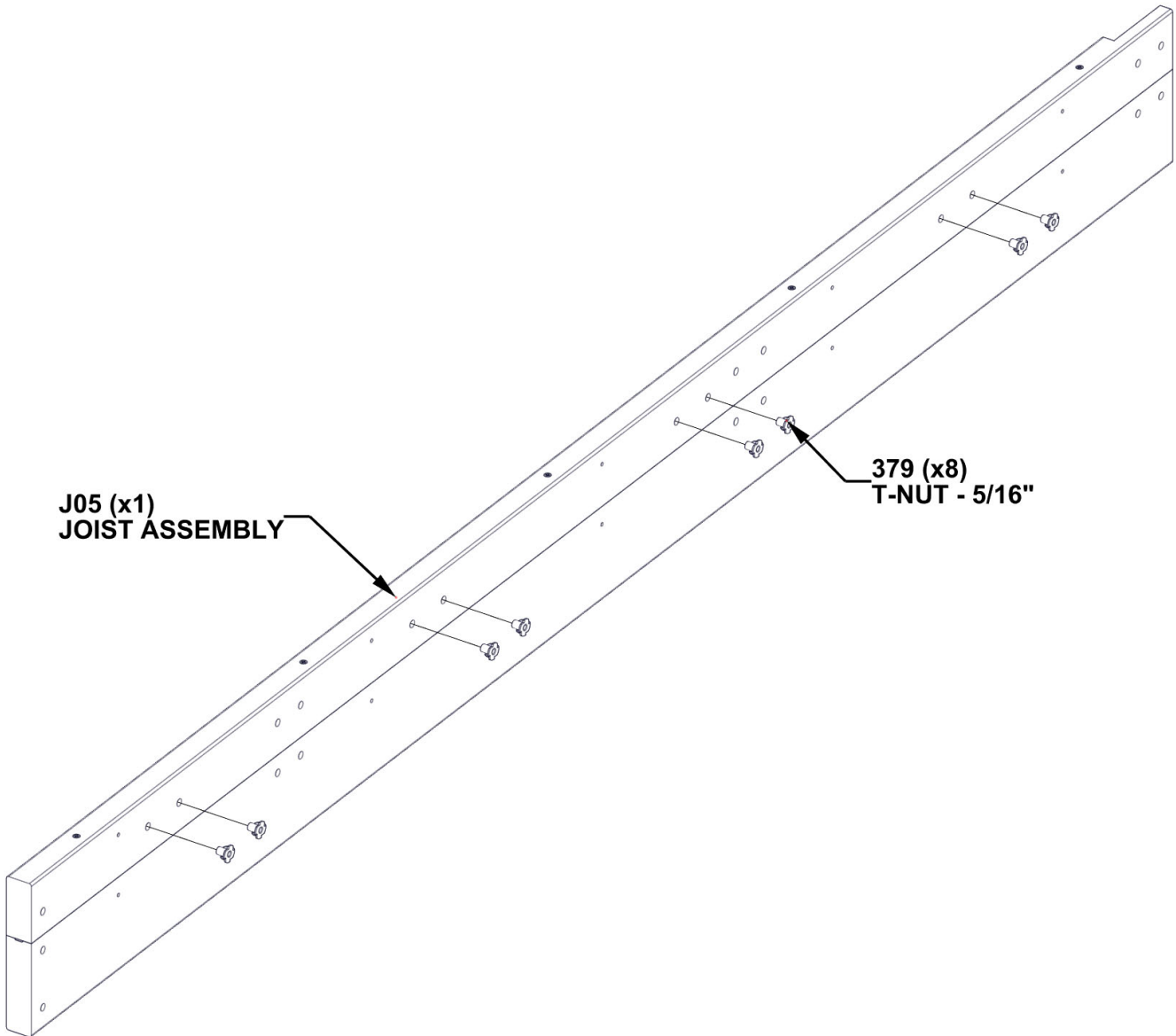
# STEP 21 - GAZEBO ASSEMBLY

Qty	PART NUMBER	DESCRIPTION
8	H100379	T-NUT 5/16 BLK



J05 JOIST ASSEMBLY - W2A03646  
(x1) 1 7/16"x8 7/16"x97 9/16" (36x214x2478)

**NOTE:**  
• NOTCH IN JOIST ASSEMBLY FOR LOCATION OF T-NUTS.



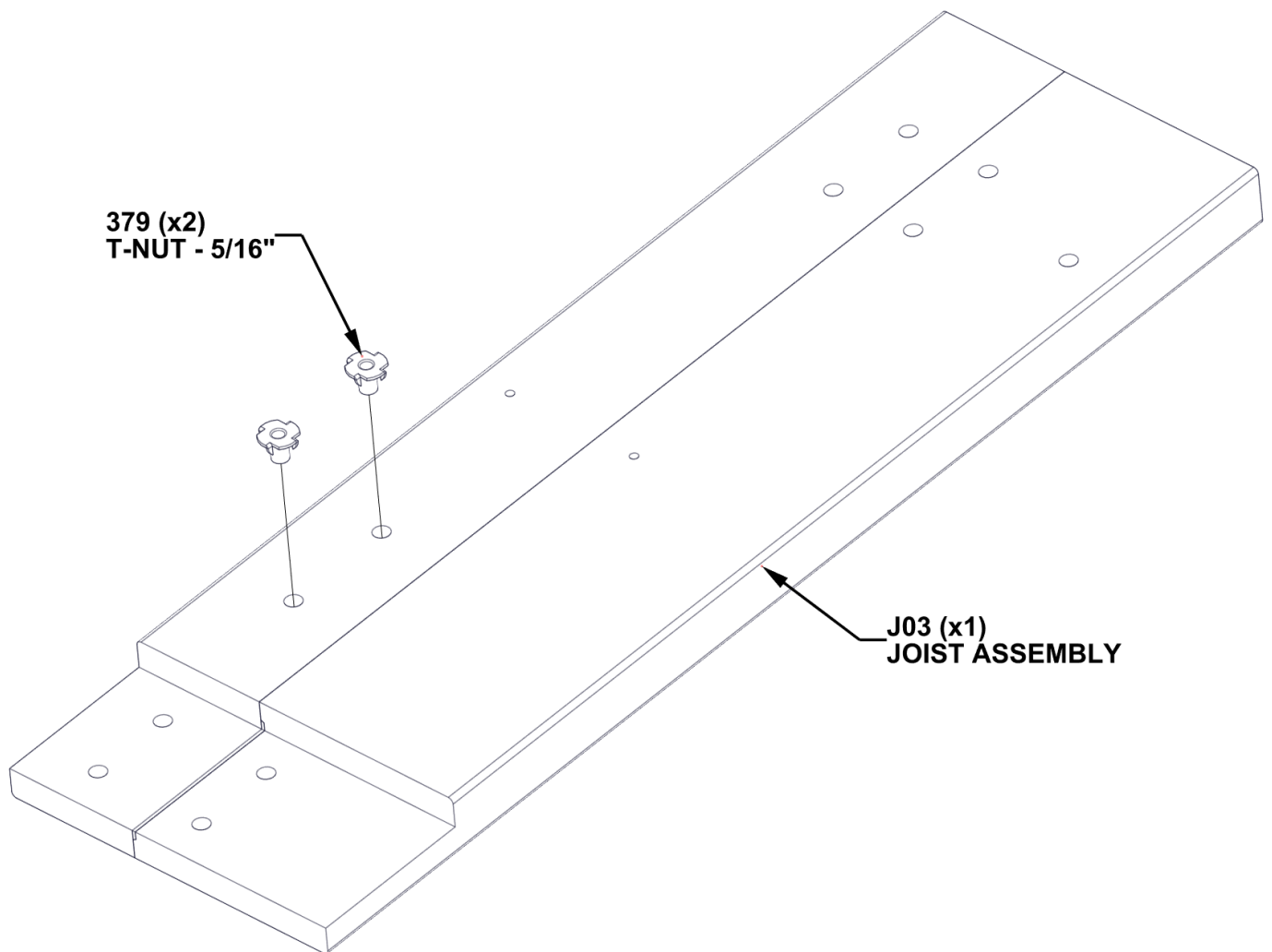
# STEP 22 - GAZEBO ASSEMBLY

Qty	PART NUMBER	DESCRIPTION
2	H100379	T-NUT 5/16 BLK



J03 JOIST ASSEMBLY - W2A03643  
(x1) 1 7/16"x8 7/16"x28 7/16" (36x214x722)

**NOTES:**  
• NOTE NOTCH IN JOIST FOR LOCATION OF T-NUTS.



# STEP 23A - GAZEBO ASSEMBLY

Qty	PART NUMBER	DESCRIPTION
4	H100198	WASHER LOCK EXT 8x19
4	H100205	BOLT WH 5/16x2 1/4 BLK
4	H100379	TNUT-5/16" BLK

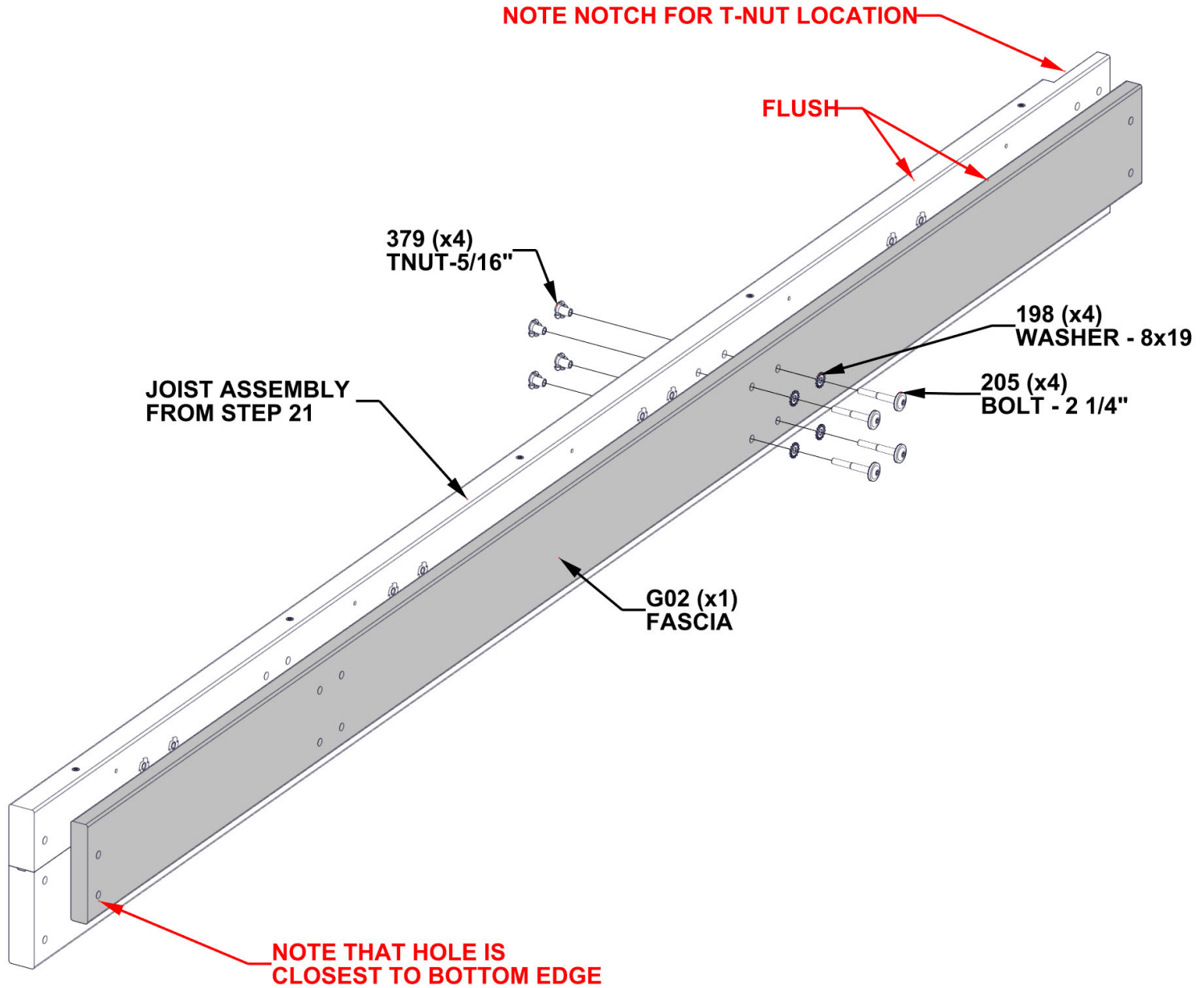


G02 FASCIA - W4L17418  
 (x1) 15/16"x5 1/4"x95 9/16" (24x134x2428)



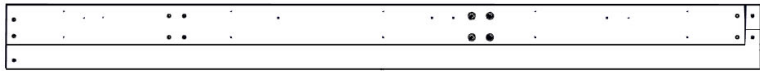
JOIST ASSEMBLY FROM STEP 21

## INSERT T-NUTS FIRST

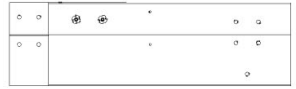


# STEP 23B - GAZEBO ASSEMBLY

Qty	PART NUMBER	DESCRIPTION
8	H100198	WASHER LOCK EXT 8x19
8	H100379	TNUT-5/16" BLK
8	H100503	BOLT WH 5/16x3 1/2 BLK



**JOIST ASSEMBLY WITH FASCIA FROM PREVIOUS STEPS**

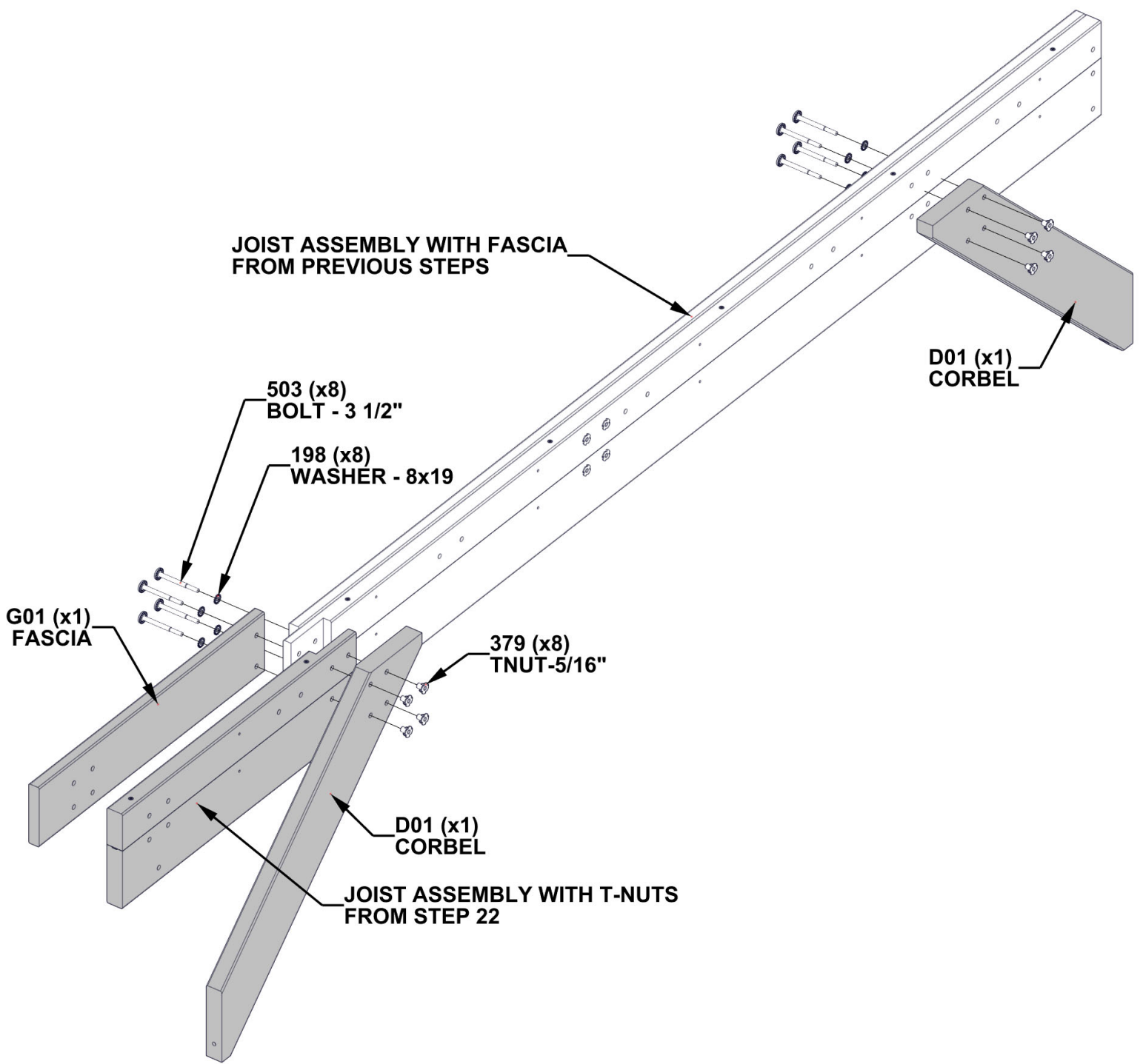


**JOIST ASSEMBLY WITH T-NUTS FROM STEP 22**

D01 CORBEL - W4L17290  
(x2) 1 7/16"x5 1/4"x34 7/16" (36x134x874)

G01 FASCIA - W4L17417  
(x1) 15/16"x5 1/4"x27 3/8" (24x134x696)

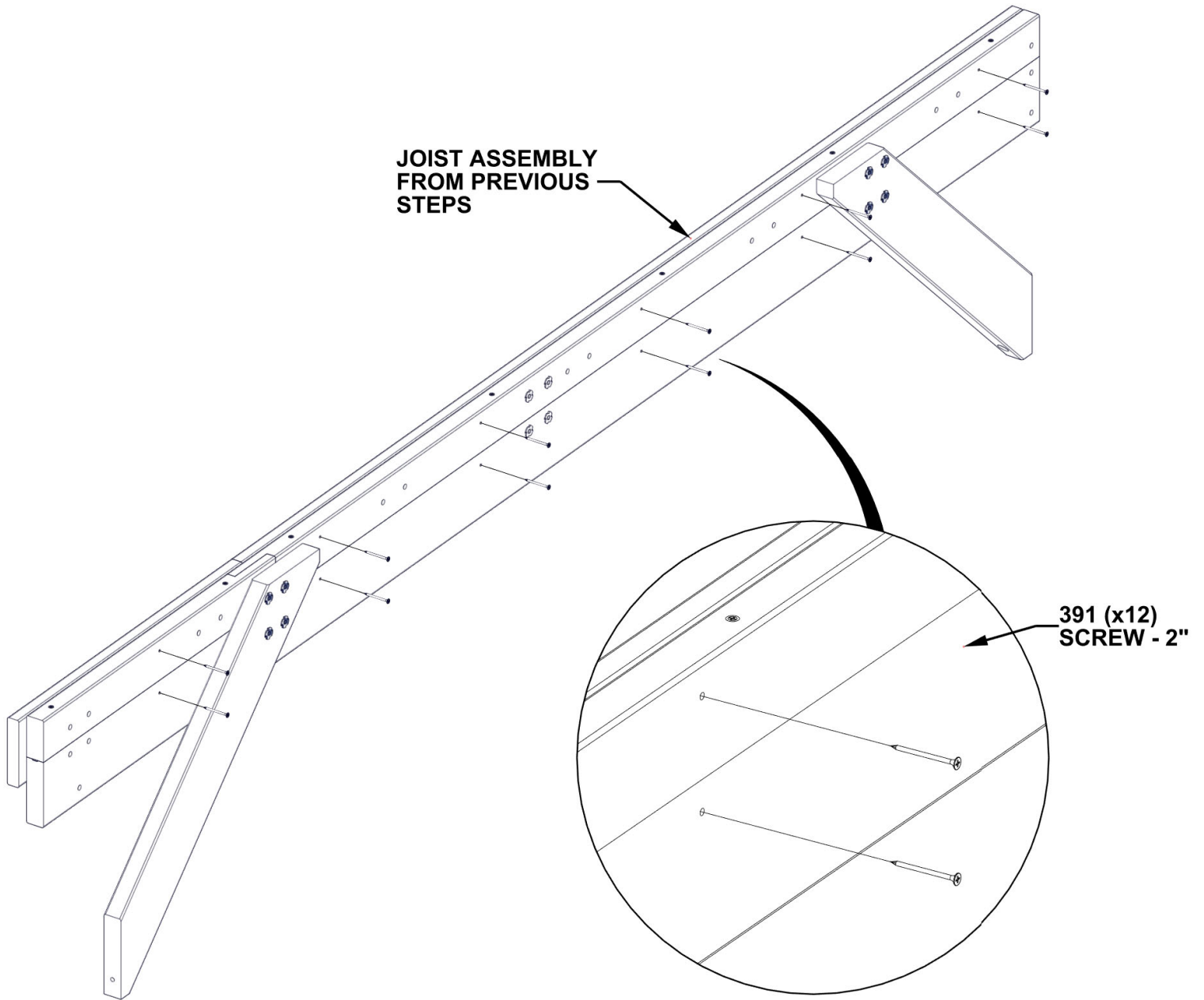
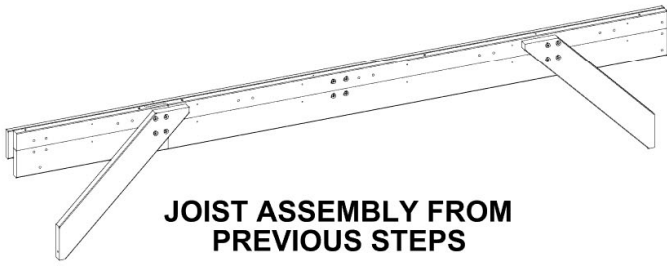
**INSERT T-NUTS FIRST**





# STEP 23C - GAZEBO ASSEMBLY

Qty	PART NUMBER	DESCRIPTION
12	H100391	SCREW PFH 8x2 BLK



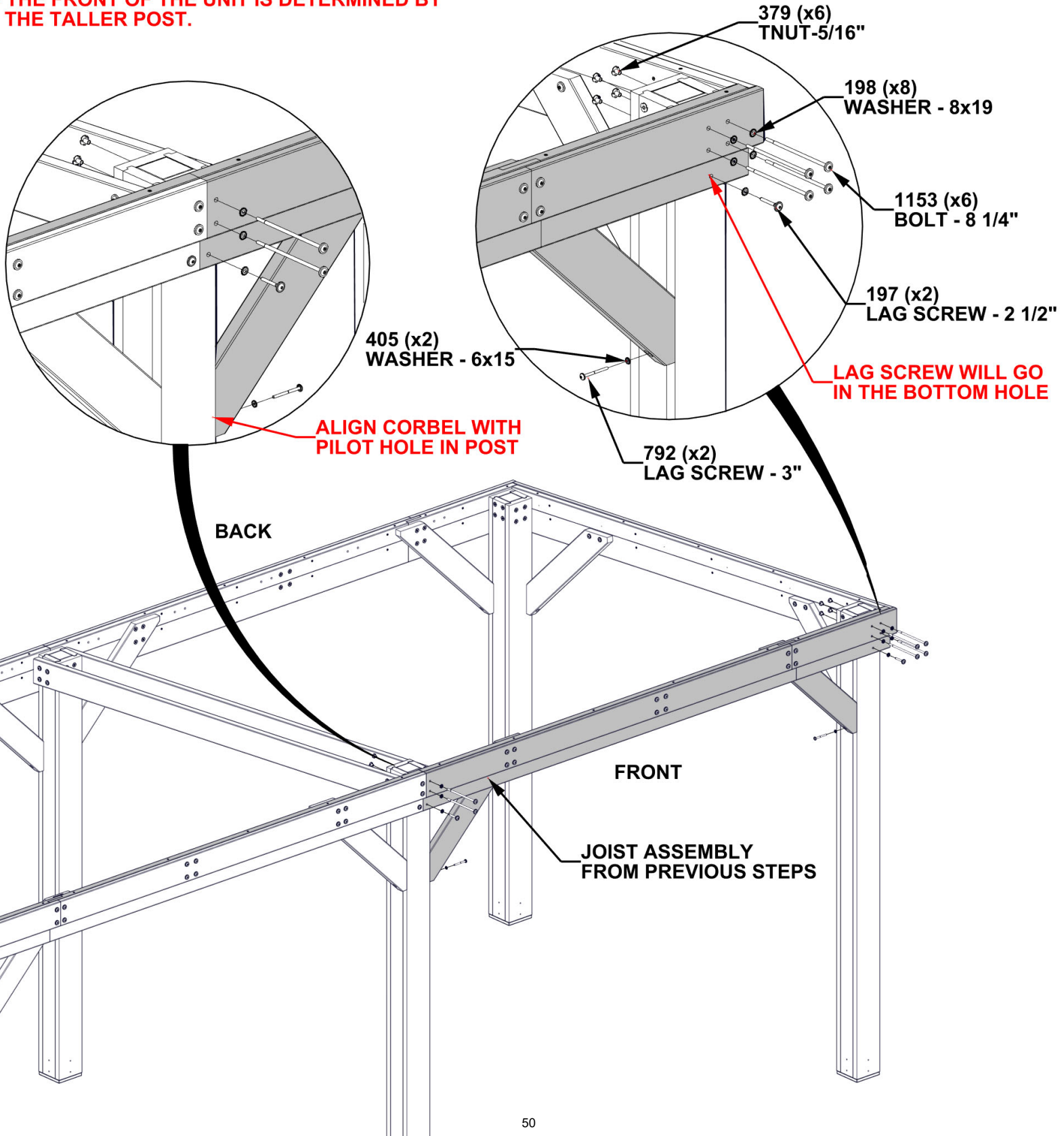
# STEP 24 - GAZEBO ASSEMBLY



Qty	PART NUMBER	DESCRIPTION
2	H100197	LAG SCREW WH 5/16x2 1/2 BLK
8	H100198	WASHER LOCK EXT 8x19
6	H100379	TNUT-5/16" BLK
2	H100405	WASHER LOCK EXT 6x15
2	H100792	LAG SCREW WH 1/4x3 BLK
6	H101153	BOLT WH 5/16x8 1/4 BLK

- NOTE:**
- EXTRA PEOPLE ARE HELPFUL FOR THIS STEP.
  - THE FRONT OF THE UNIT IS DETERMINED BY THE TALLER POST.

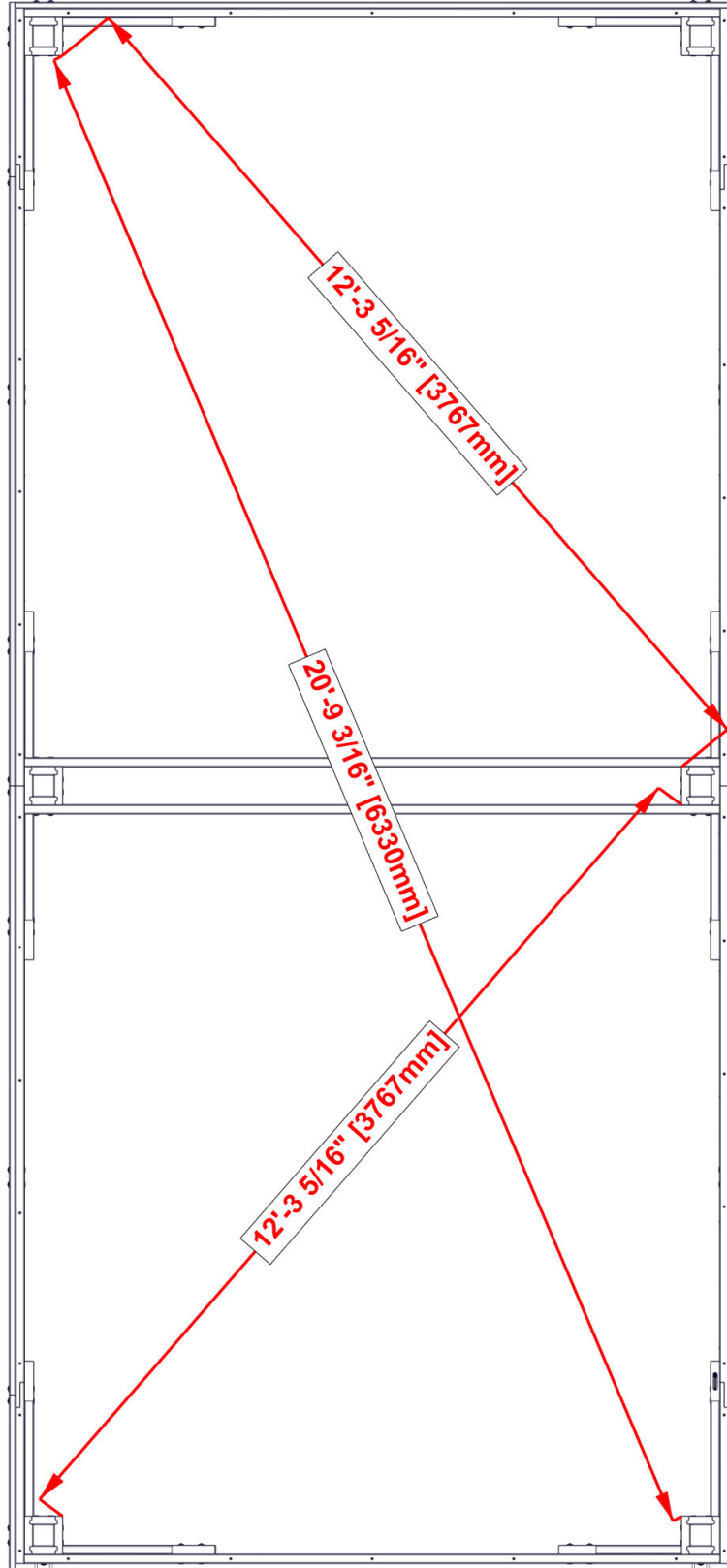
## INSERT T-NUTS FIRST



# STEP - 25 SQUARE ASSEMBLY

**CRITICAL: SQUARE ASSEMBLY BEFORE PROCEEDING TO NEXT STEPS.  
ONCE SQUARE, ENSURE ALL HARDWARE IS FULLY TIGHTENED.**

MEASUREMENTS TAKEN FROM INSIDE OF POST TO INSIDE OF POST.

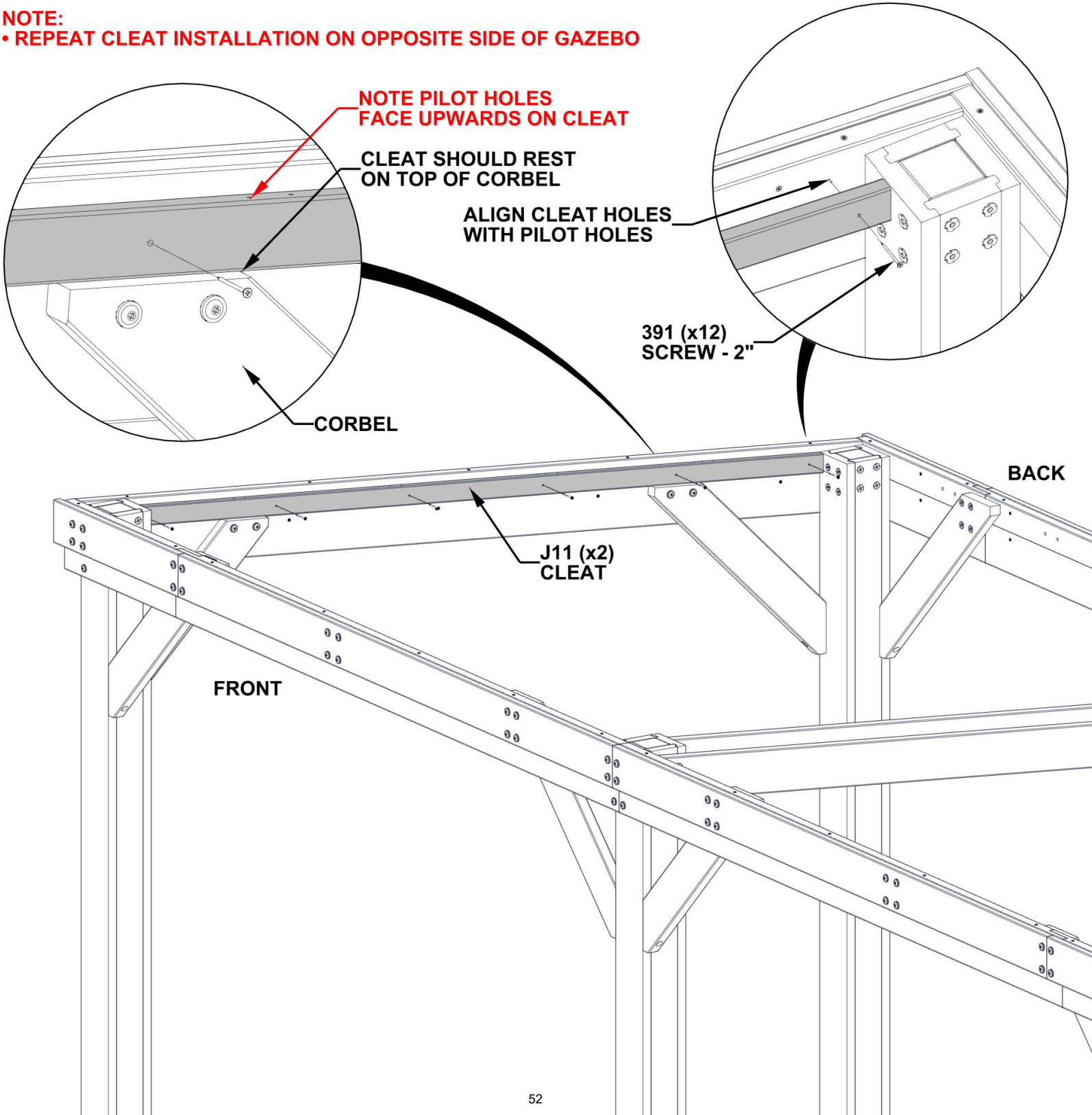


# STEP - 26 GAZEBO ASSEMBLY

Qty	PART NUMBER	DESCRIPTION
12	H100391	SCREW PFH 8x2 BLK

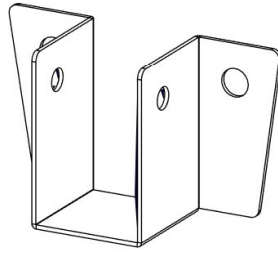
J11 CLEAT - W4L17411  
(x2) 15/16"x2 3/8"x97 9/16" (24x60x2479)

**NOTE:**  
• REPEAT CLEAT INSTALLATION ON OPPOSITE SIDE OF GAZEBO



# STEP - 27 GAZEBO ASSEMBLY

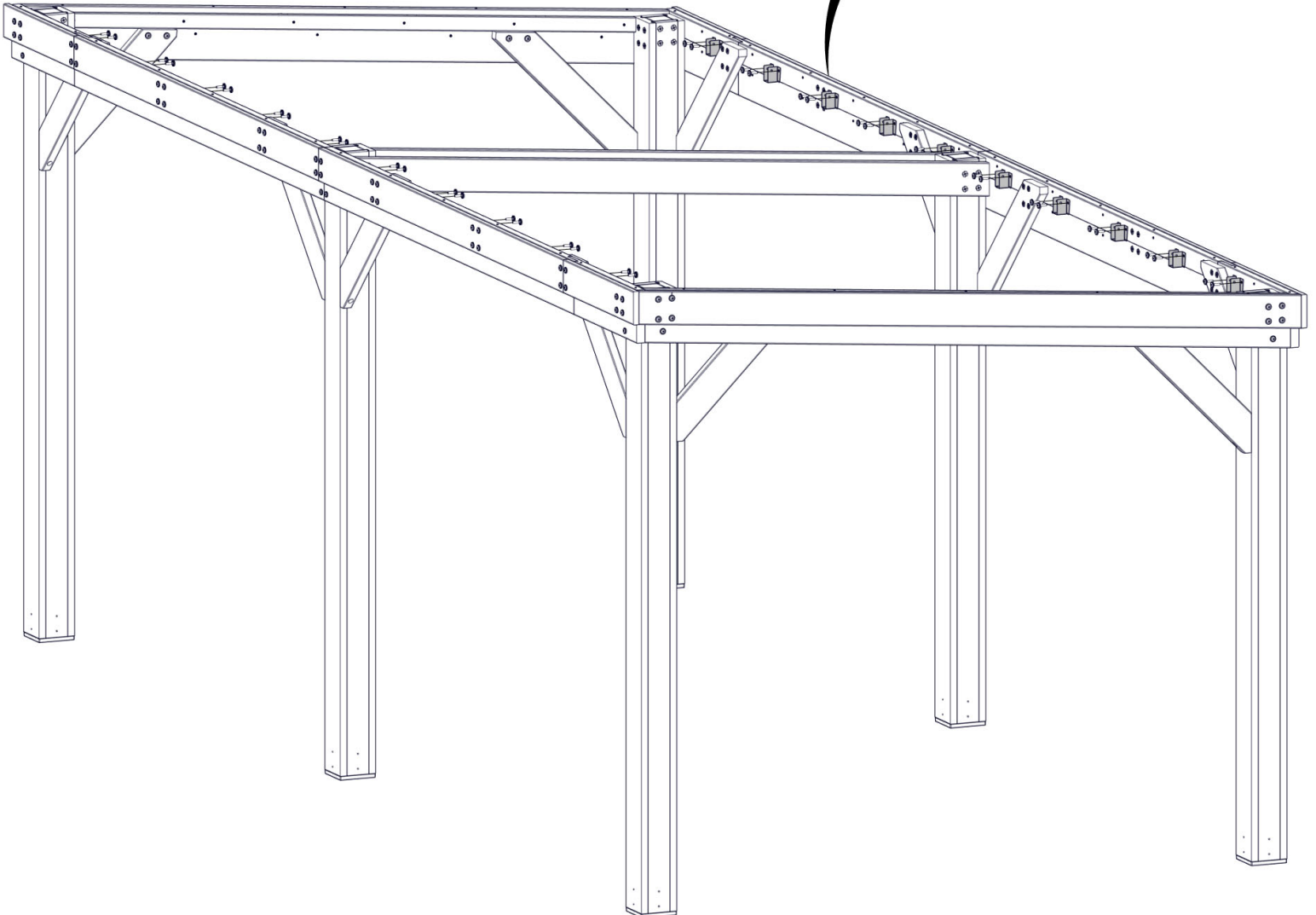
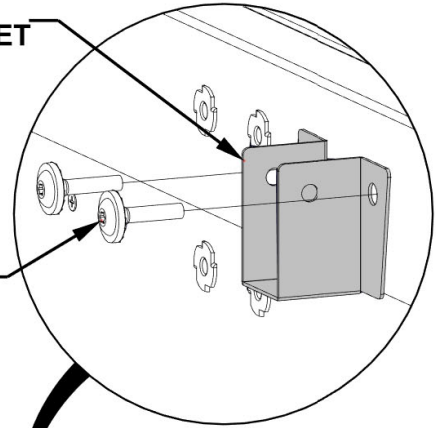
Qty	PART NUMBER	DESCRIPTION
40	H100459	BOLT WH 5/16x1 1/4 BLK



A4M01787 RAFTER BRACKET  
(x20)

1787 (x20)  
RAFTER BRACKET

459 (x40)  
BOLT - 1 1/4"



# STEP - 28 GAZEBO ASSEMBLY

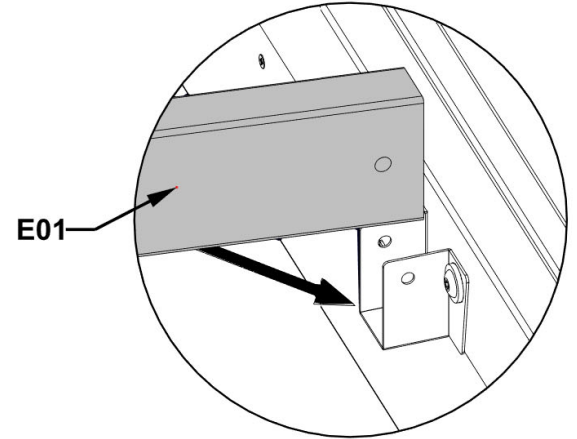
Qty	PART NUMBER	DESCRIPTION
20	H100488	BOLT WH 1/4x2 BLK
20	H100630	WASHER FLAT 8x19 BLK
20	H100653	NUT LOCK 1/4 BLK



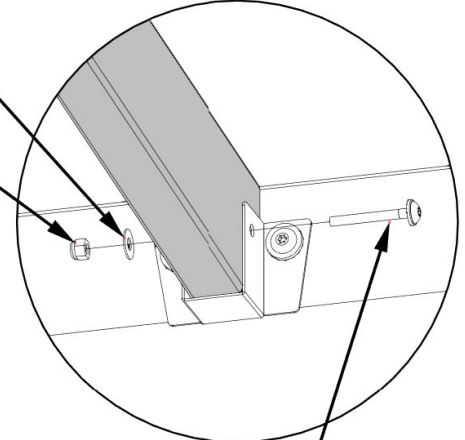
E01 RAFTER - W4L17405  
(x10) 1 7/16"x3 3/8"x109 3/4" (36x86x2787)

## NOTES:

- INSERT RAFTERS INTO BRACKETS
- ATTACH RAFTERS TO BRACKETS USING 2" BOLTS, FLAT WASHERS & LOCK NUTS.
- NOTCHES IN ALL RAFTERS WILL FACE UPWARDS.



E01

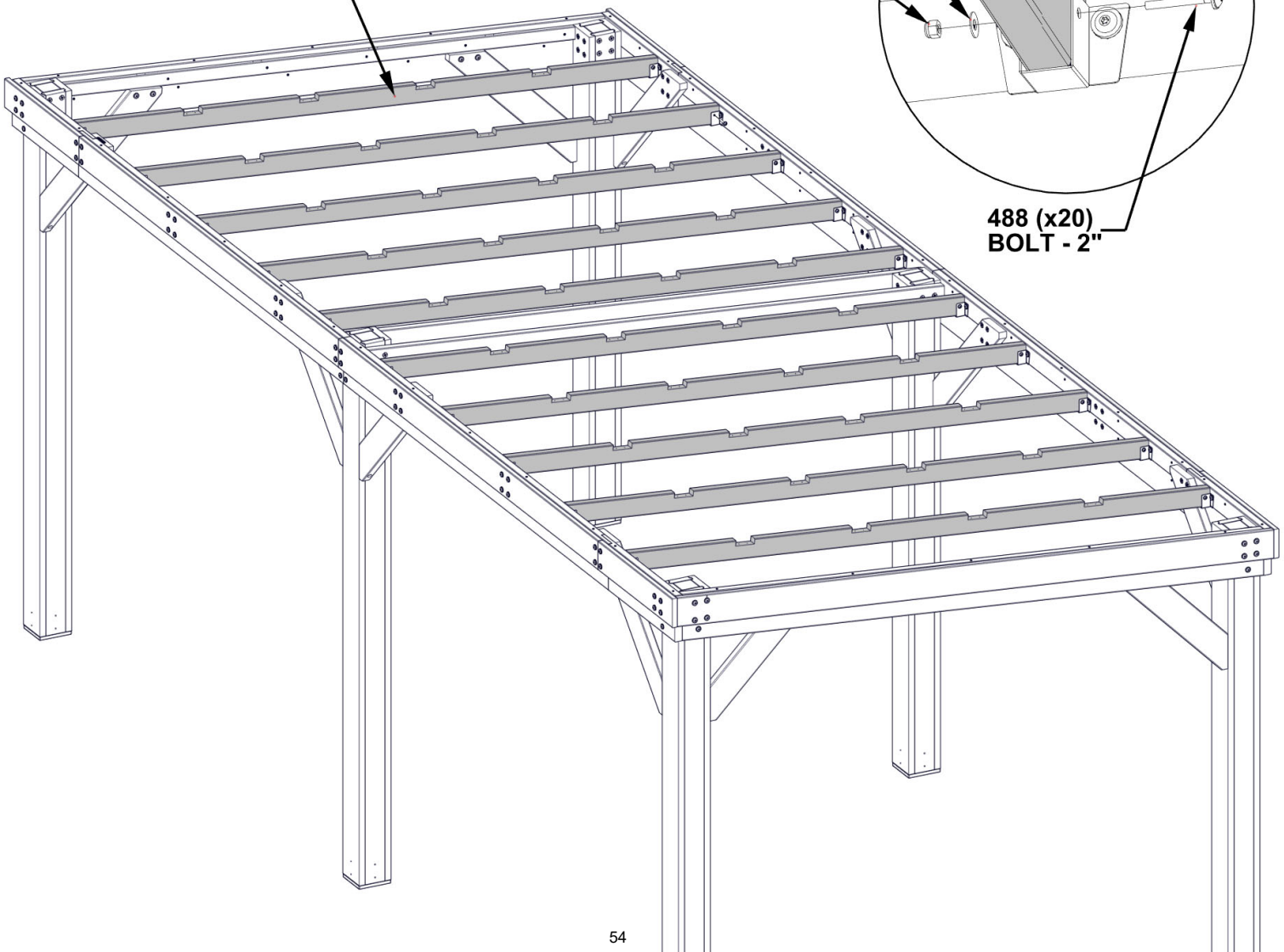


630 (x20)  
WASHER - 8x19

653 (x20)  
LOCK NUT - 1/4"

488 (x20)  
BOLT - 2"

E01 (x10)  
RAFTER



# STEP - 29A GAZEBO ASSEMBLY

Qty	PART NUMBER	DESCRIPTION
28	H100382	SCREW PFH 8x1 3/4 BLK

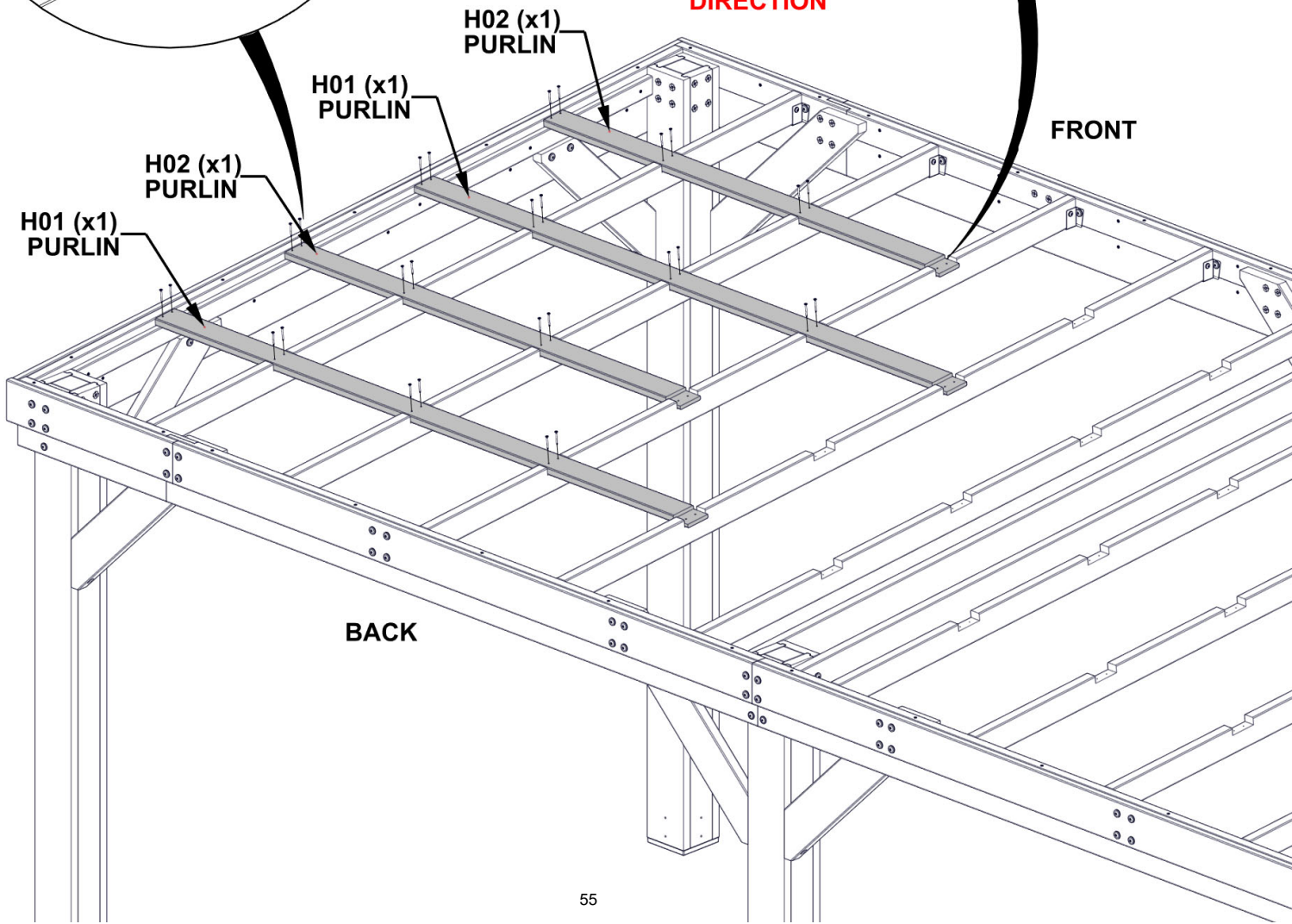
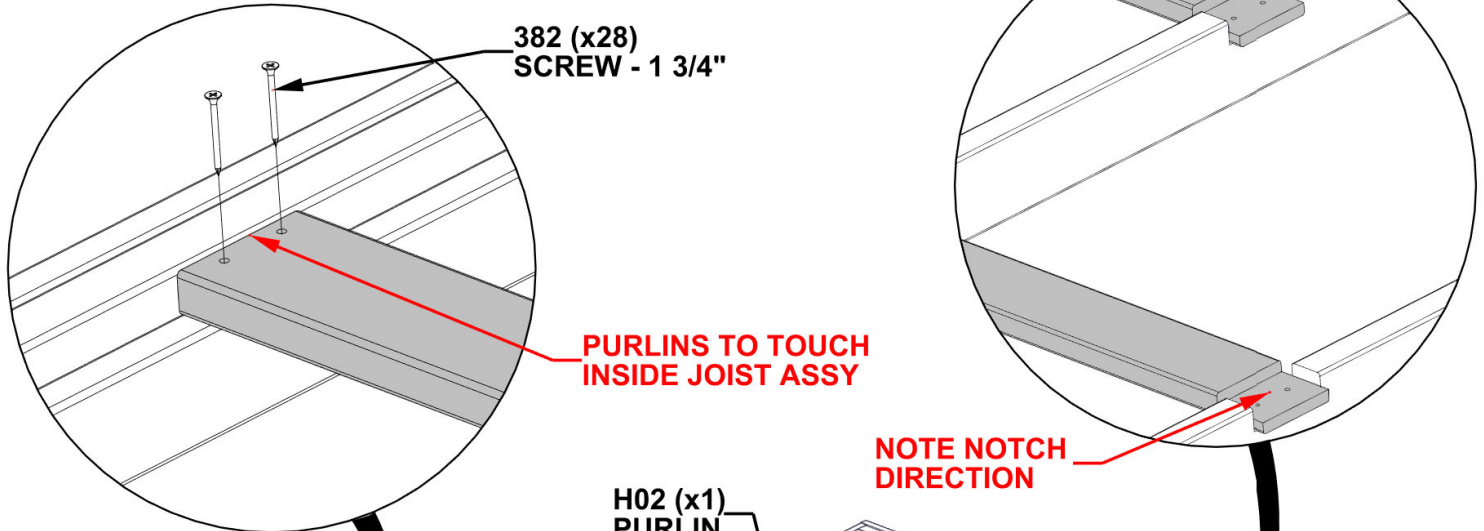


H02 PURLIN - W4L17407  
(x2) 15/16"x3 3/8"x65 1/4" (24x86x1657)



H01 PURLIN - W4L17406  
(x2) 15/16"x3 3/8"x87 13/16" (24x86x2231)

**NOTES:**  
• POSITION PURLINS AS SHOWN BELOW



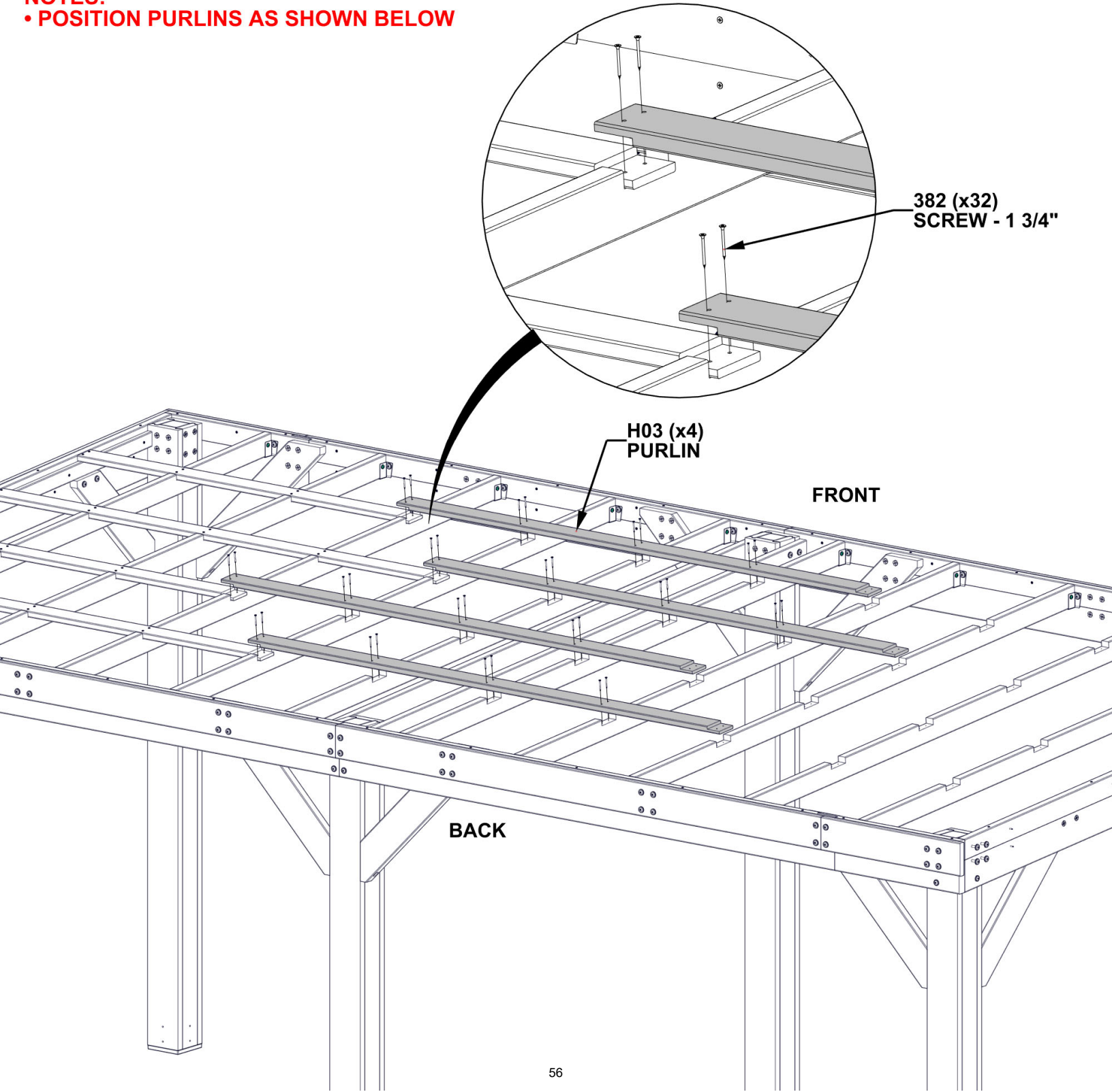
# STEP - 29B GAZEBO ASSEMBLY

Qty	PART NUMBER	DESCRIPTION
32	H100382	SCREW PFH 8x1 3/4 BLK



H03 PURLIN - W4L17413  
(x4) 15/16"x3 3/8"x92 3/4" (24x86x2356)

**NOTES:**  
• POSITION PURLINS AS SHOWN BELOW





# STEP - 29C GAZEBO ASSEMBLY

Qty	PART NUMBER	DESCRIPTION
36	H100382	SCREW PFH 8x1 3/4 BLK

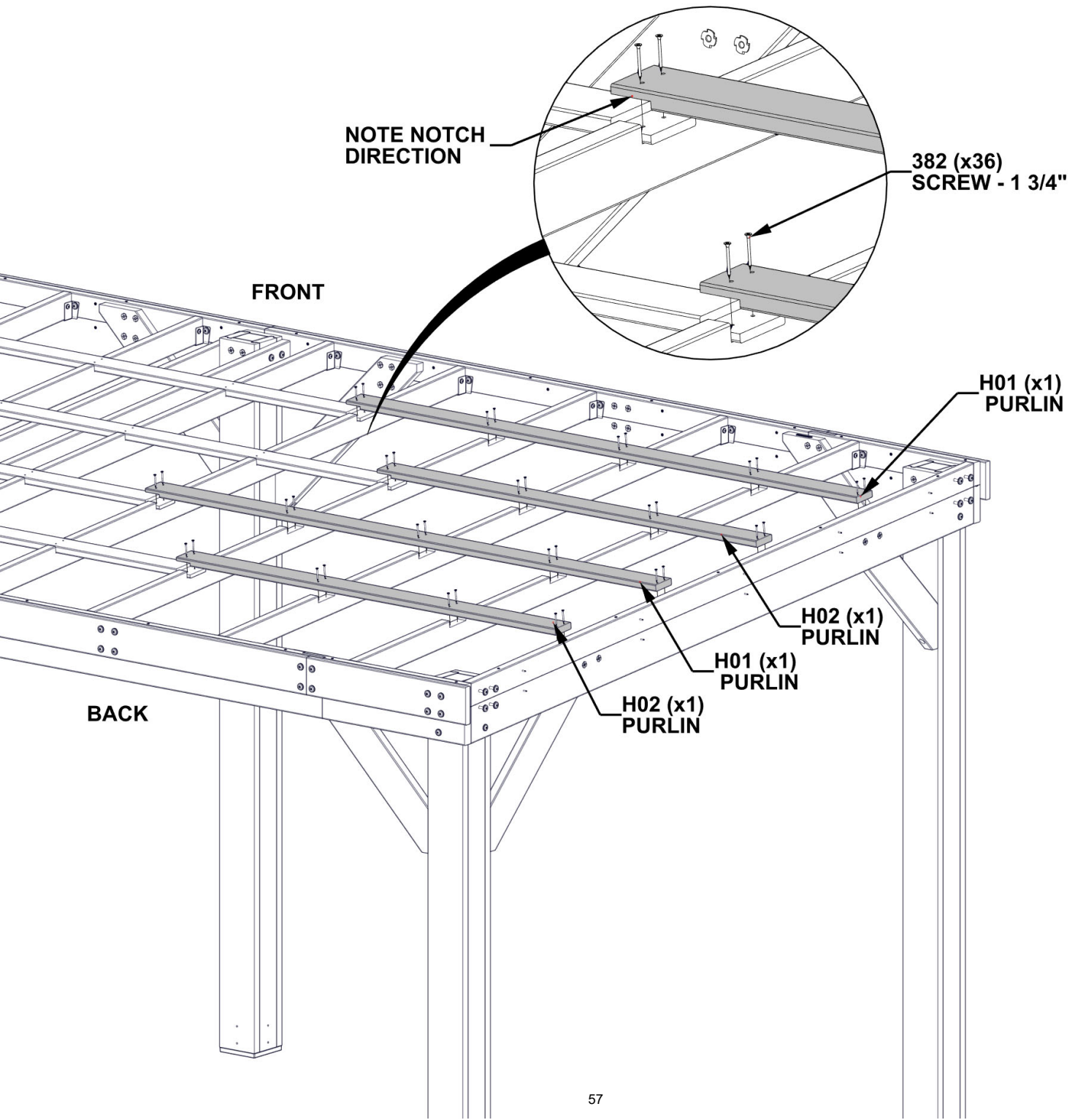


H02 PURLIN - W4L17407  
(x2) 15/16"x3 3/8"x65 1/4" (24x86x1657)

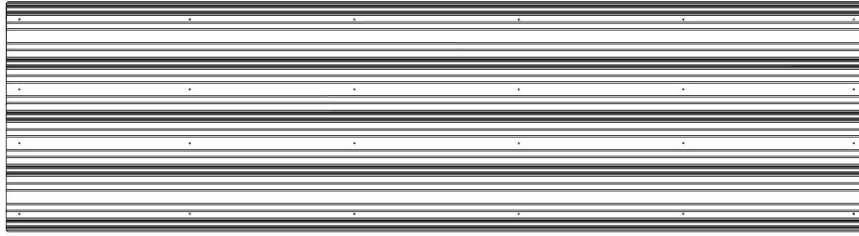


H01 PURLIN - W4L17406  
(x2) 15/16"x3 3/8"x87 13/16" (24x86x2231)

**NOTES:**  
• POSITION PURLINS AS SHOWN BELOW



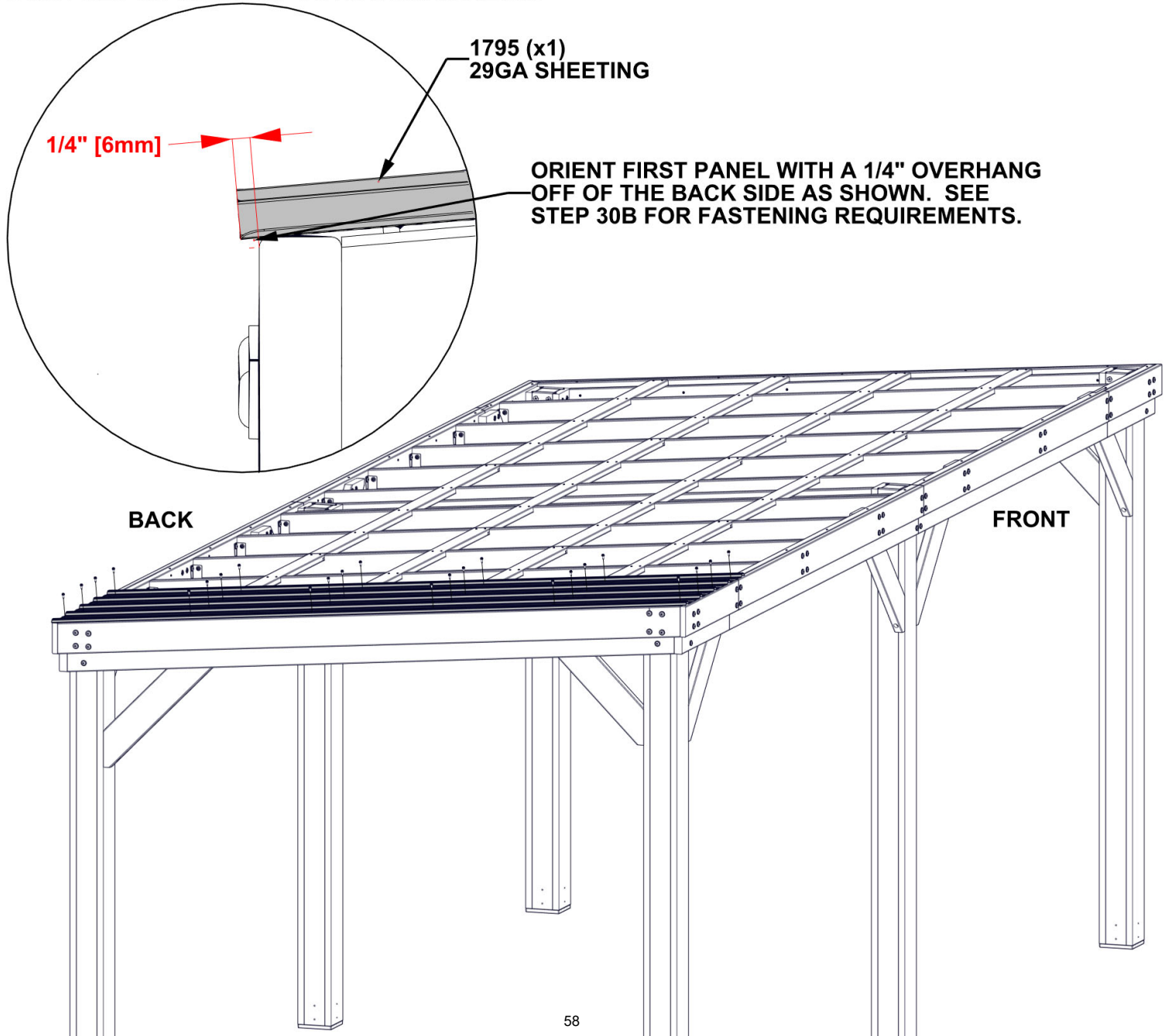
# STEP - 30A GAZEBO ASSEMBLY



A4M01795 29GA SHEETING  
(x1)

**WARNING GLOVES ARE RECOMMENDED WHEN HANDLING STEEL ROOF PIECES.**

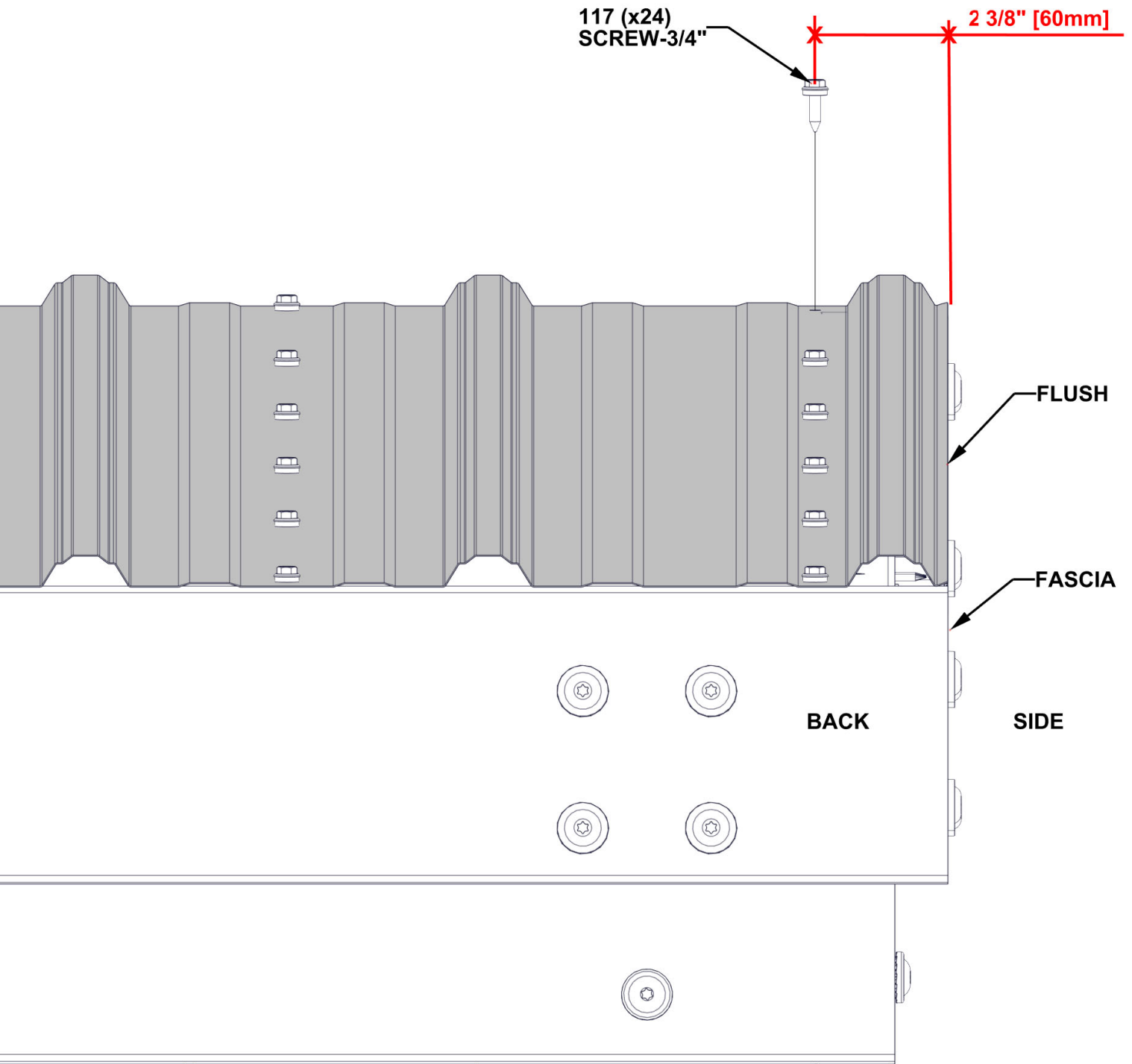
- NOTES:**
- REMOVE BLUE FILM FROM ROOF PANELS.
  - IT IS IMPORTANT THAT YOU POSITION THE ROOF PANELS AS SHOWN SO THE TRIM PIECES WILL FIT CORRECTLY IN FUTURE STEPS.
  - STARTING AT THE BACK OF THE GAZEBO, POSITION THE FIRST ROOF PANEL WITH A 1/4" OVERHANG OFF THE BACK SIDE AND FLUSH ON THE SIDE.
  - IT IS IMPORTANT TO MAINTAIN THE 1/4" GAP FROM THE BACK OF THE GAZEBO TO THE FRONT.
  - ATTACH PANEL AS SHOWN.
  - DO NOT GET ON THE ROOF TO ATTACH SCREWS.



# STEP - 30B GAZEBO ASSEMBLY

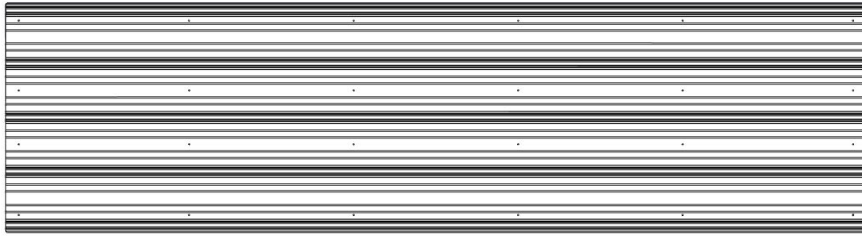
Qty	PART NUMBER	DESCRIPTION
24	H101117	SCREW WOODGRIP 10-16x3/4" BLK

**WARNING GLOVES ARE RECOMMENDED WHEN HANDLING STEEL ROOF PIECES.**



# STEP - 31 GAZEBO ASSEMBLY

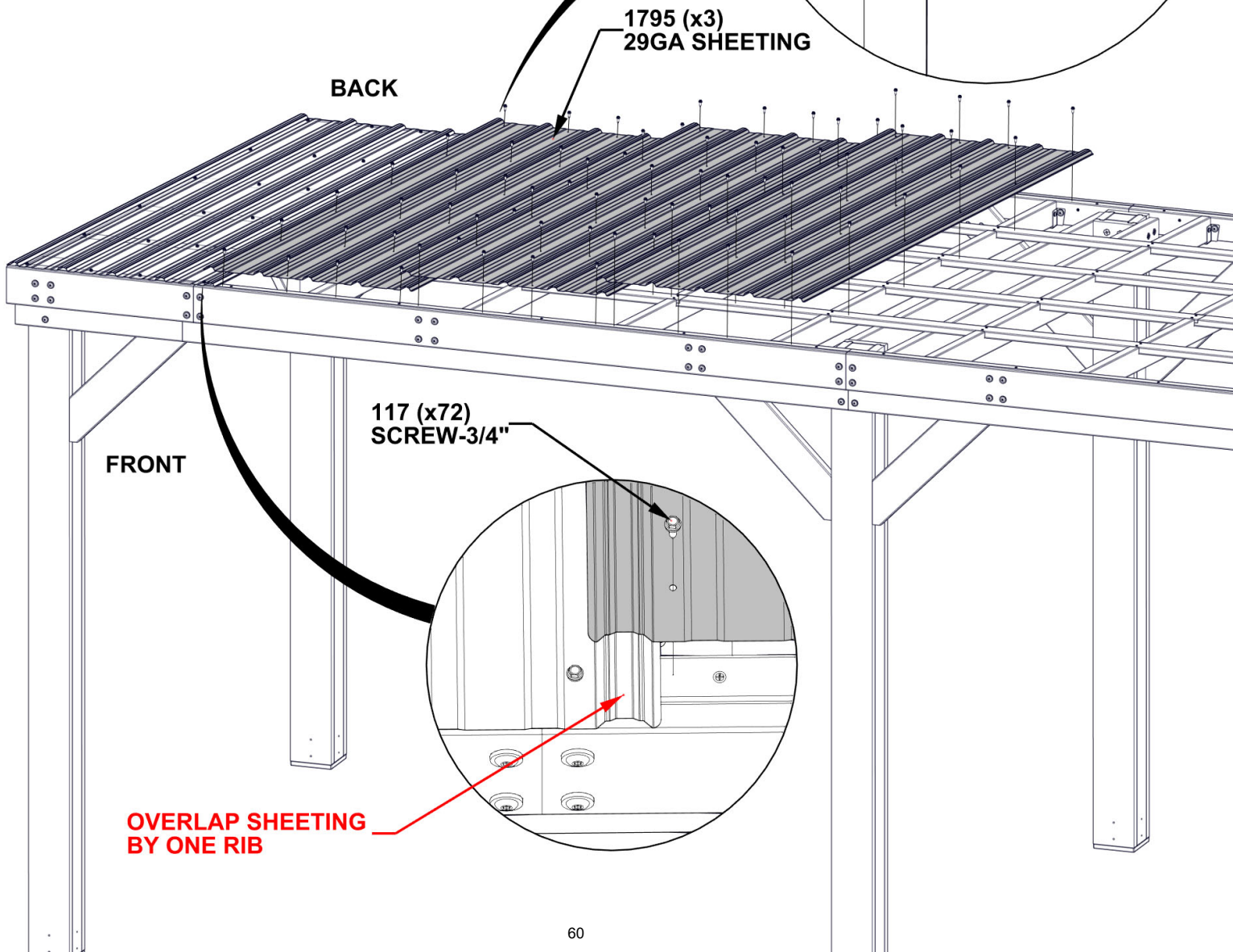
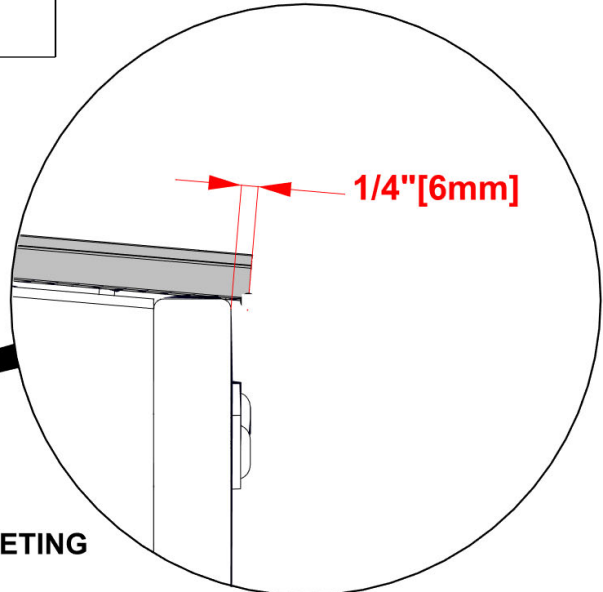
Qty	PART NUMBER	DESCRIPTION
72	H101117	SCREW WOODGRIP 10-16x3/4" BLK



A4M01795 29GA SHEETING  
(x3)

## NOTES:

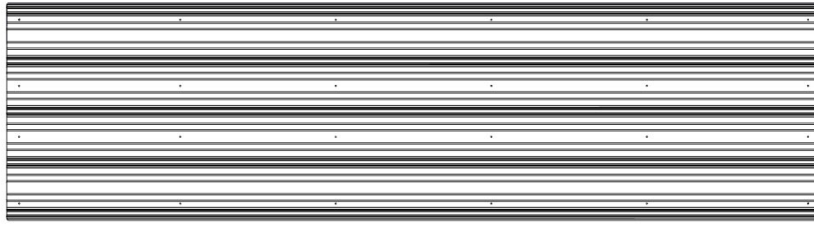
- ENSURE THAT THE NEXT PANEL OVERHANGS THE BACK SIDE OF THE GAZEBO BY 1/4".
- OVERLAP THE PANEL BY ONE RIB AS SHOWN BELOW.
- ATTACH AND FULLY TIGHTEN ALL SCREWS ON EACH PANEL BEFORE ATTACHING THE NEXT PANEL.
- REPEAT ON ALL PANELS.
- DO NOT GET ON THE ROOF TO ATTACH SCREWS.



**OVERLAP SHEETING  
BY ONE RIB**

# STEP - 32 GAZEBO ASSEMBLY

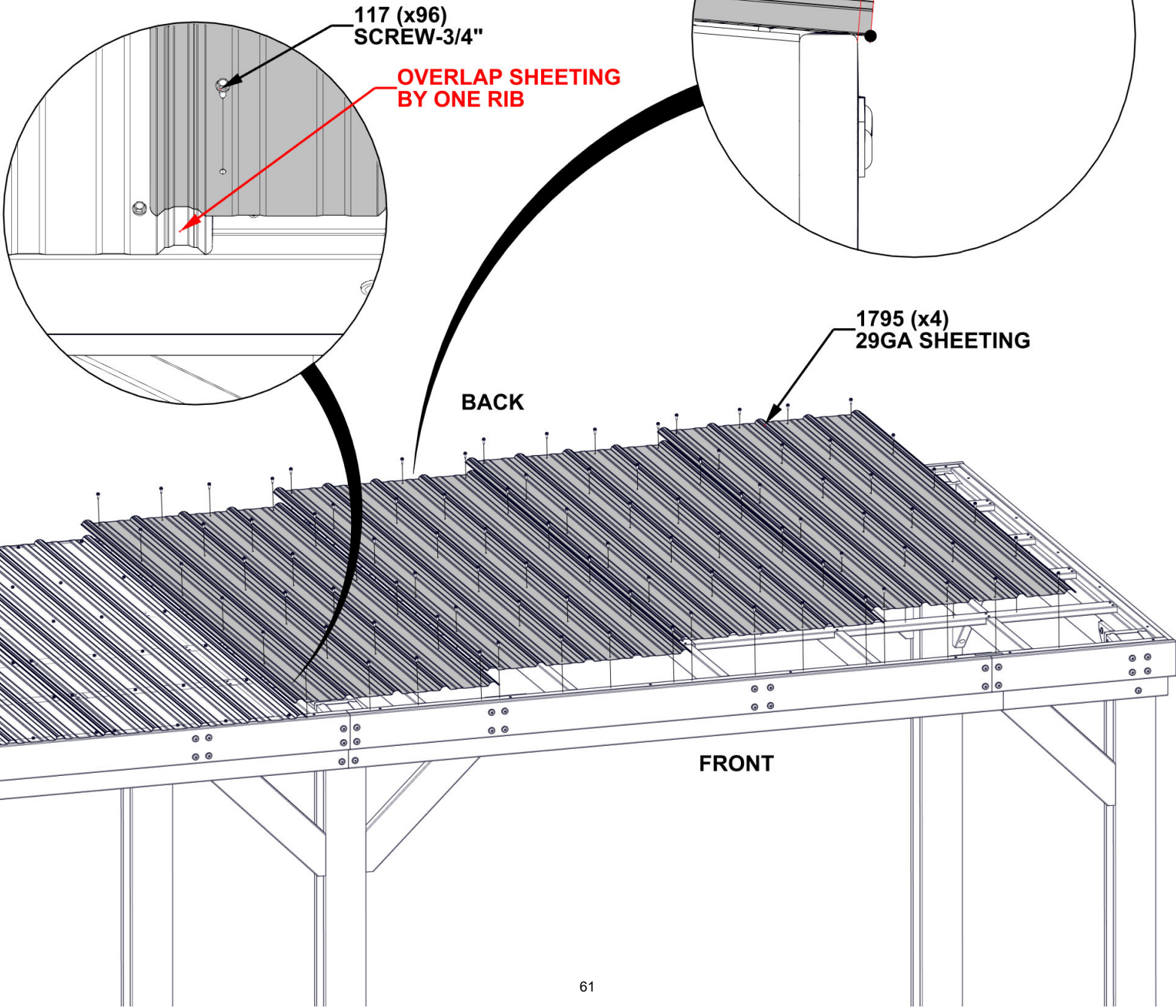
Qty	PART NUMBER	DESCRIPTION
96	H101117	SCREW WOODGRIP 10-16x3/4" BLK



A4M01795 29GA SHEETING  
(x4)

## NOTES:

- ENSURE THAT THE NEXT PANEL OVERHANGS THE BACK SIDE OF THE GAZEBO BY 1/4".
- OVERLAP THE PANEL BY ONE RIB AS SHOWN BELOW.
- ATTACH AND FULLY TIGHTEN ALL SCREWS ON EACH PANEL BEFORE ATTACHING THE NEXT PANEL.
- REPEAT ON ALL PANELS.
- DO NOT GET ON THE ROOF TO ATTACH SCREWS.



# STEP - 33 GAZEBO ASSEMBLY

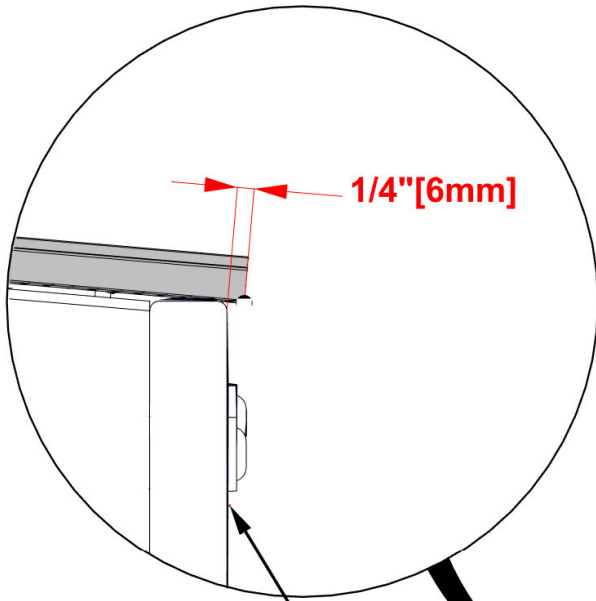
Qty	PART NUMBER	DESCRIPTION
12	H101117	SCREW WOODGRIP 10-16x3/4" BLK



A4M01796 29GA SHEETING  
(x1)

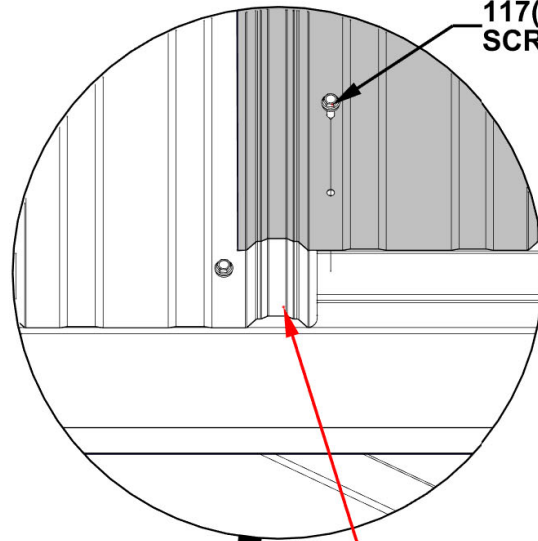
## NOTES:

- ENSURE THAT THE NEXT PANEL OVERHANGS THE BACK SIDE OF THE GAZEBO BY 1/4".
- OVERLAP THE PANEL BY ONE RIB AS SHOWN BELOW.
- ATTACH AND FULLY TIGHTEN ALL SCREWS ON EACH PANEL BEFORE ATTACHING THE NEXT PANEL.
- REPEAT ON ALL PANELS.
- DO NOT GET ON THE ROOF TO ATTACH SCREWS.



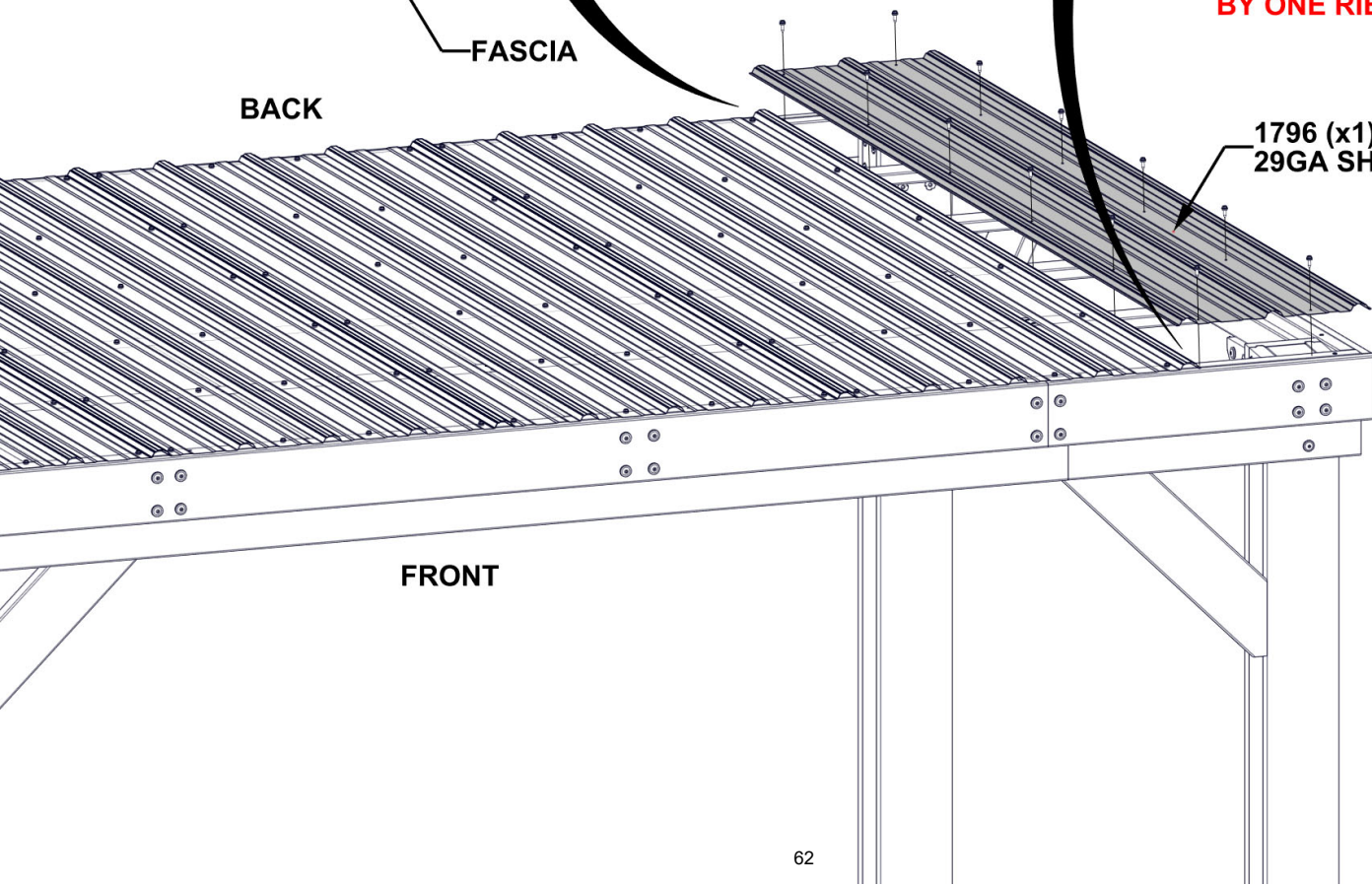
1/4"[6mm]

FASCIA



117(x12)  
SCREW-3/4"

OVERLAP SHEETING  
BY ONE RIB

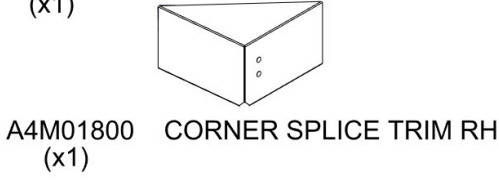
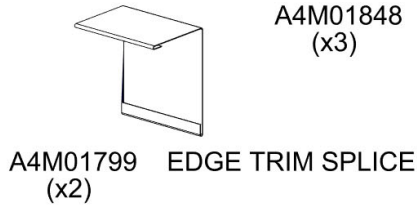
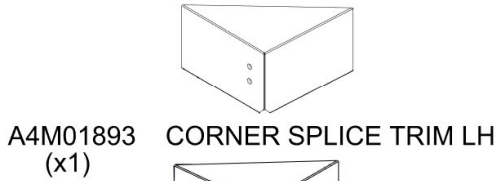


1796 (x1)  
29GA SHEETING

FRONT

# STEP - 34 GAZEBO ASSEMBLY

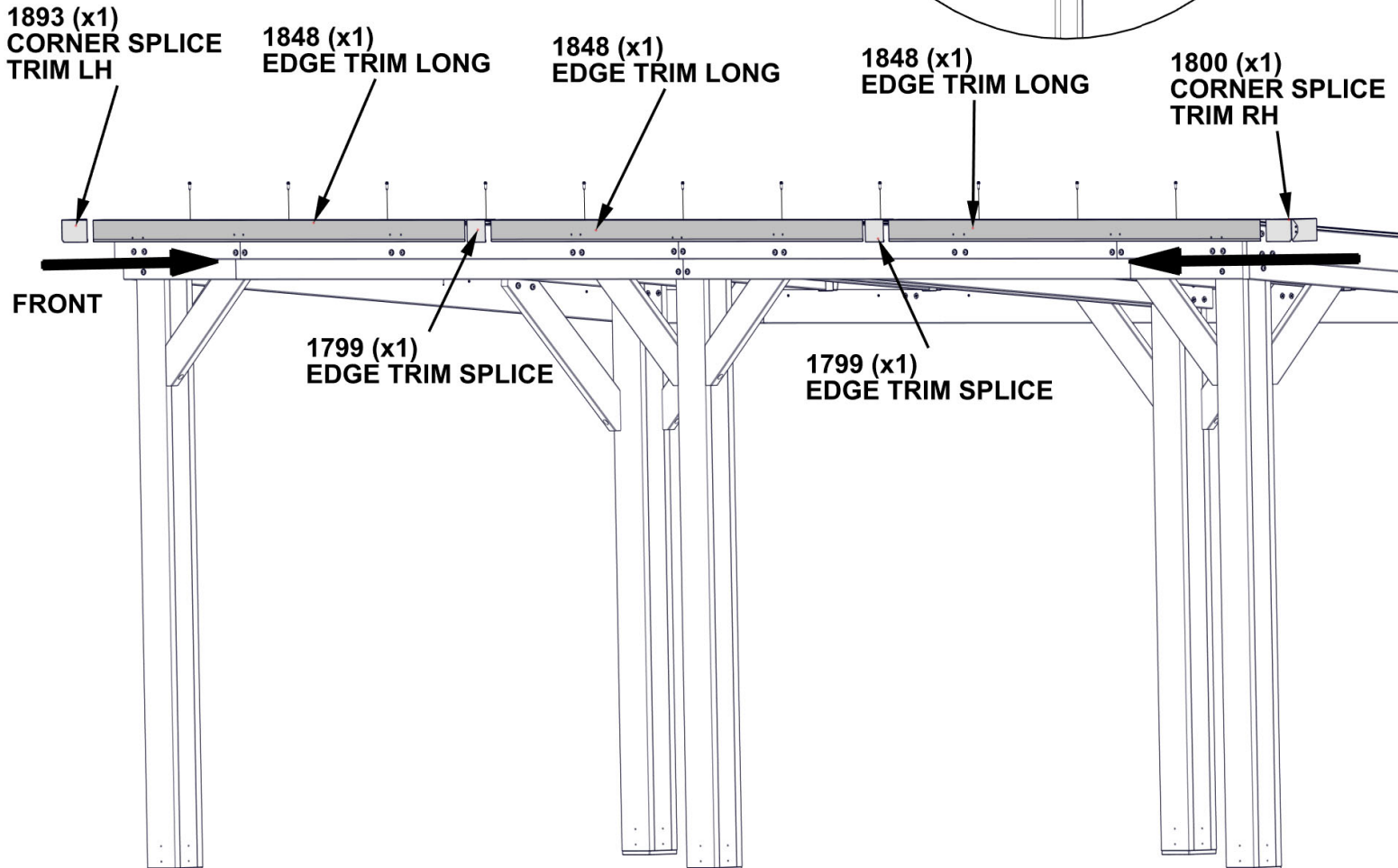
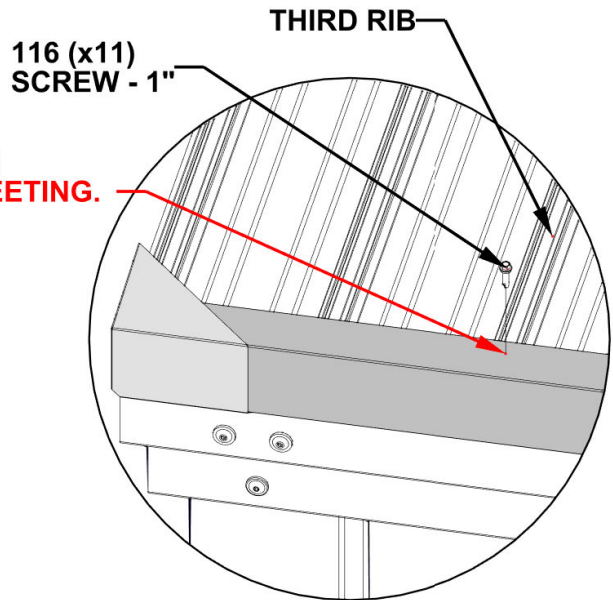
Qty	PART NUMBER	DESCRIPTION
11	H101116	SCREW SELF TAPPING 1/4x1 BLK



LAYOUT EDGE TRIM, EDGE TRIM SPLICE AND CORNER SPLICE TRIM AS SHOWN BELOW. SLIDE TRIM PIECES INTO SPLICES. ATTACH CORNER SPLICES BY SLIDING ONTO EDGE TRIM. SCREW AS NOTED IN DETAIL.

**ATTACH THIS SCREW THROUGH THE TRIM AND INTO THE 3RD RIB OF SHEETING. SKIP TWO RIBS AND REPEAT.**

**NOTE:**  
TRIM WILL ONLY BE INSTALLED ON THE FRONT AND SIDES OF UNIT, NO TRIM WILL BE INSTALLED ON BACKSIDE TO ALLOW FOR DRAINAGE.



# STEP - 35 GAZEBO ASSEMBLY

Qty	PART NUMBER	DESCRIPTION
14	H101116	SCREW SELF TAPPING 1/4x1 BLK



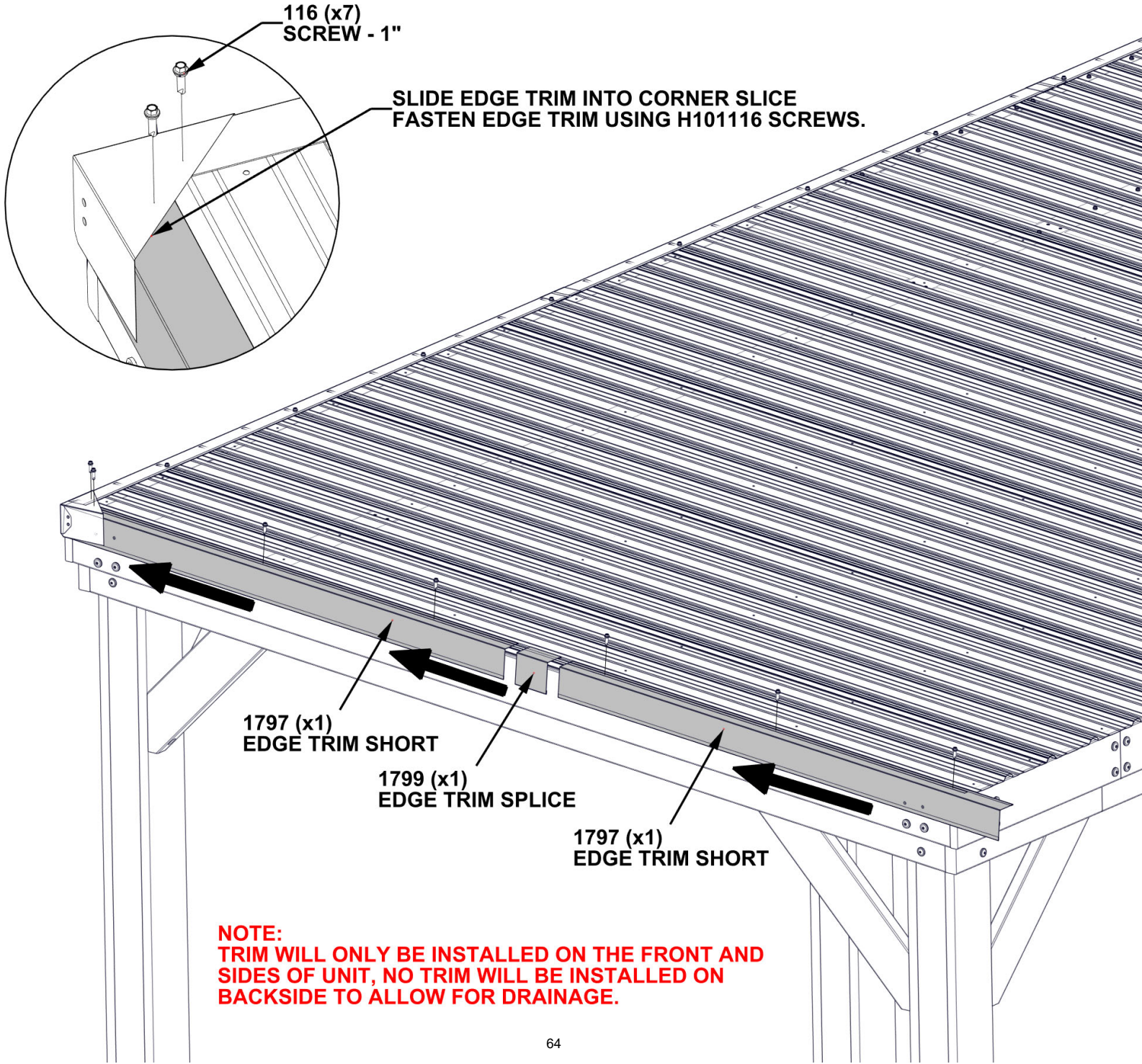
A4M01799 EDGE TRIM SPLICE  
(x2)



A4M01797 EDGE TRIM SHORT  
(x4)

**NOTES:**  
LAY EDGE TRIM ON SIDE OF ROOF AS SHOWN BELOW,  
SLIDE EACH PIECE INTO ONE ANOTHER. FLUSH LAST  
PIECE WITH THE REAR EDGE OF SHEETING. SCREWS  
GO THROUGH EDGE TRIM INTO RIB AT THE APPROXIMATE  
LOCATIONS SHOWN.

**REPEAT ON OPPOSITE SIDE**

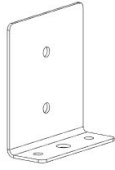


**NOTE:**  
TRIM WILL ONLY BE INSTALLED ON THE FRONT AND  
SIDES OF UNIT, NO TRIM WILL BE INSTALLED ON  
BACKSIDE TO ALLOW FOR DRAINAGE.



# STEP - 36 GAZEBO ASSEMBLY

Qty	PART NUMBER	DESCRIPTION
48	H100471	LAG SCREW WH 5/16x1 1/2 BLK



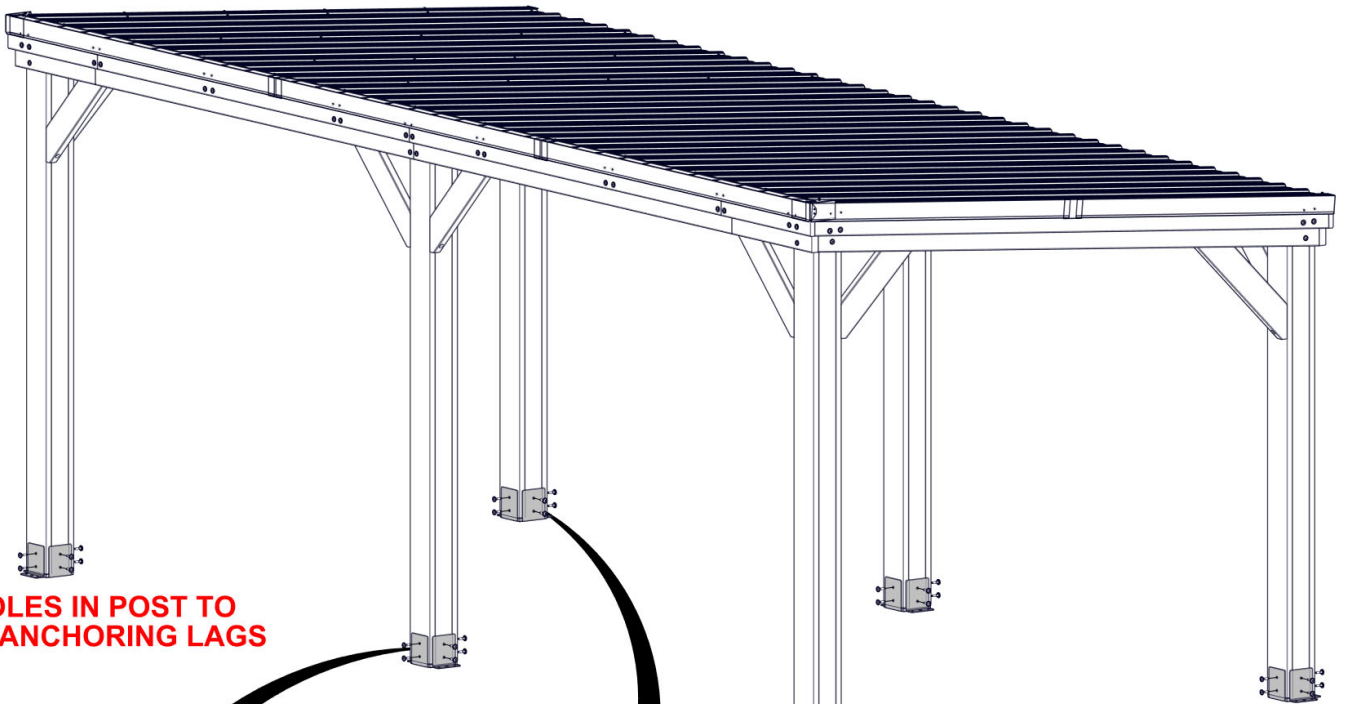
A4M00977 POST ANCHORING PLATE  
(x12)



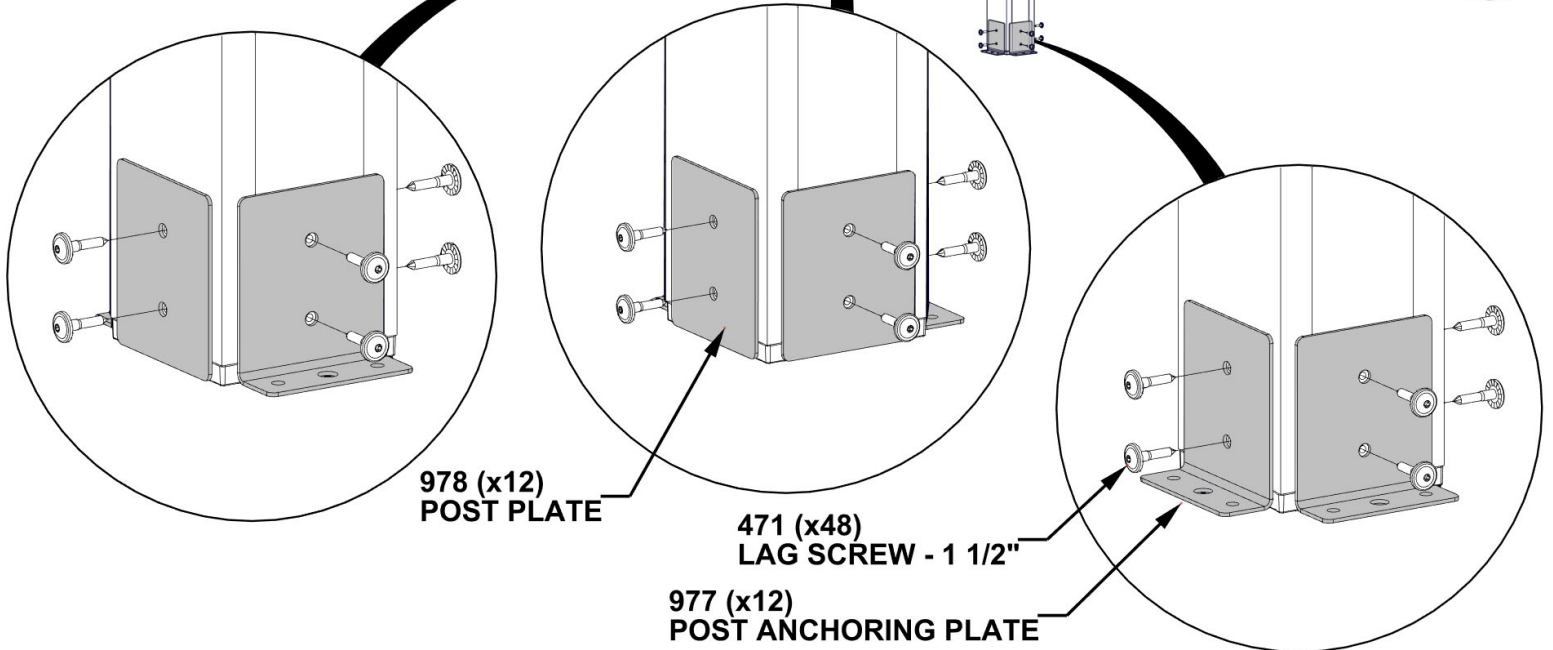
A4M00978 POST PLATE  
(x12)

## NOTES:

- 977 POST ANCHORING PLATES MOUNT ON OUTSIDE OF POST AS SHOWN EXCEPT THE CENTER POST.
- 978 POST PLATES GO ON INSIDE OF POST AS SHOWN EXCEPT CENTER POST, THESE WILL ALSO BE ON THE FRONT FACE OF POST AS SHOWN IN DETAIL BELOW



USE PILOT HOLES IN POST TO INSTALL THE ANCHORING LAGS

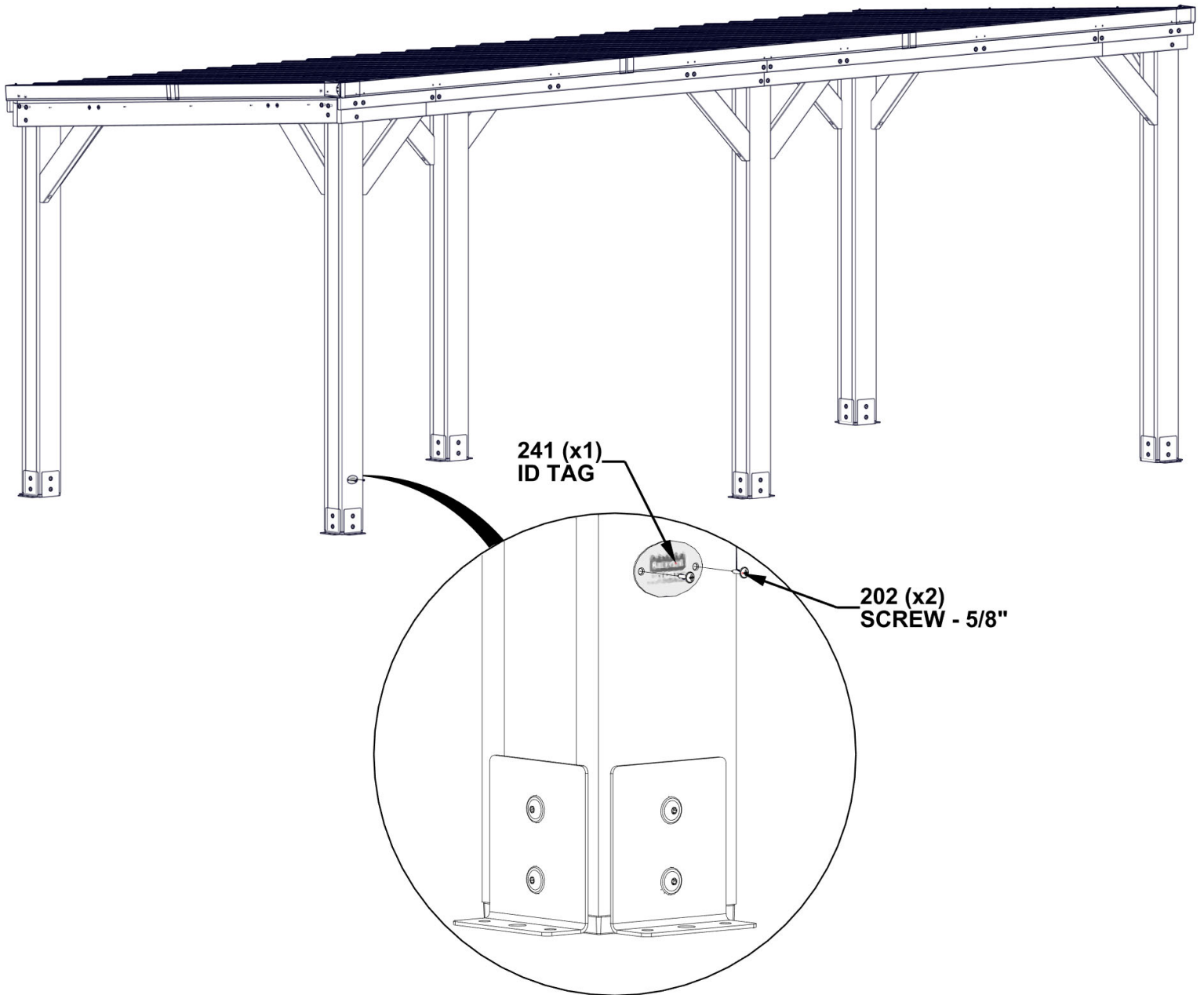


# STEP - 37 GAZEBO ASSEMBLY

Qty	PART NUMBER	DESCRIPTION
2	H100202	SCREW PWH 8x5/8 BLK



A100241 ID TAG  
(x1)

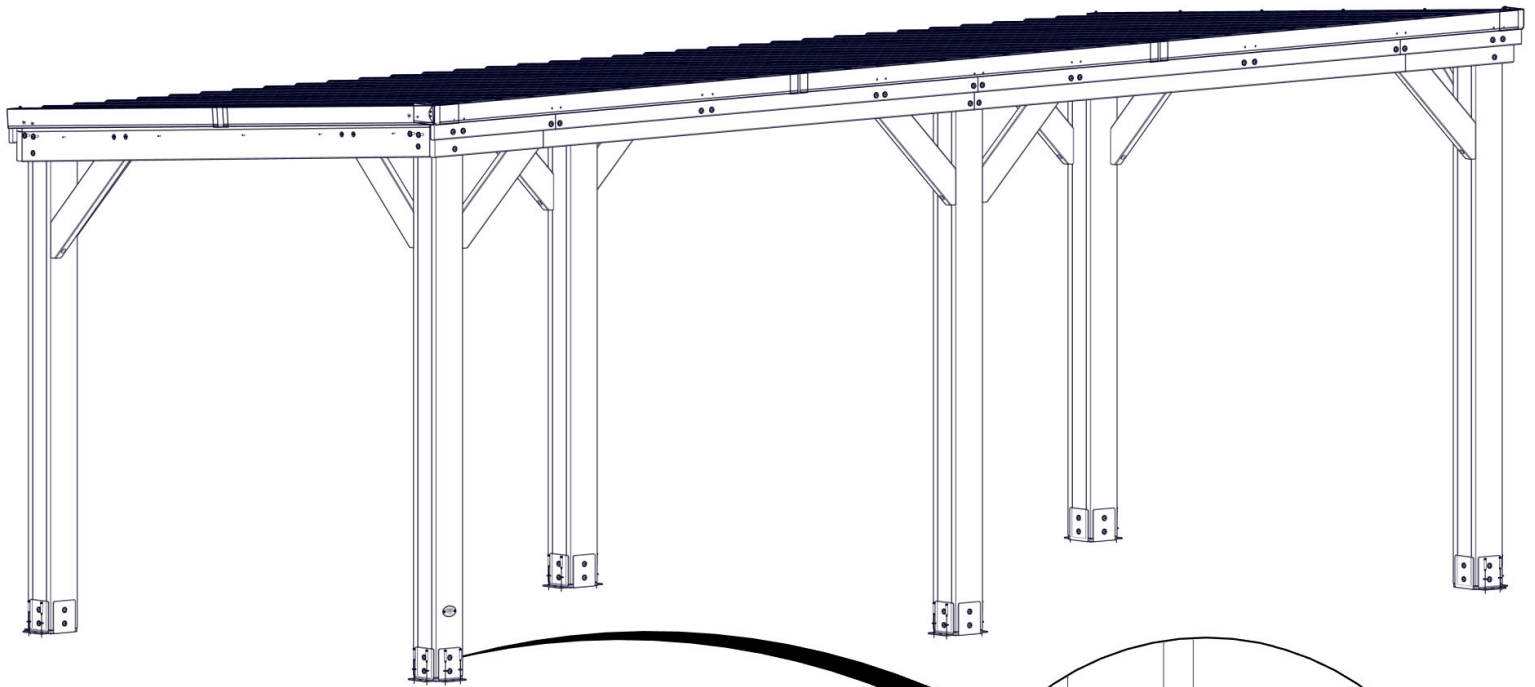


# STEP - 38 GAZEBO ASSEMBLY

Qty	PART NUMBER	DESCRIPTION
24	H100120	CONCRETE ANCHOR - 2"
24	H100630	WASHER FLAT 8x19 BLK

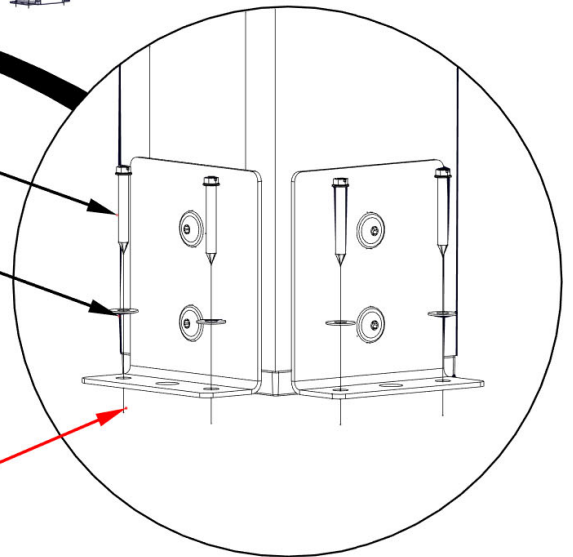
MANUFACTURER RECOMMENDS INSTALLATION ON CONCRETE SURFACE OR CONCRETE POST PADS AS SHOWN BELOW.

FOR INSTALLATION ON WOOD DECK, YOU MUST ENSURE THERE IS AMPLE STRUCTURAL SUPPORT UNDER THE DECK. HARDWARE NOT INCLUDED FOR DECK ATTACHMENT.

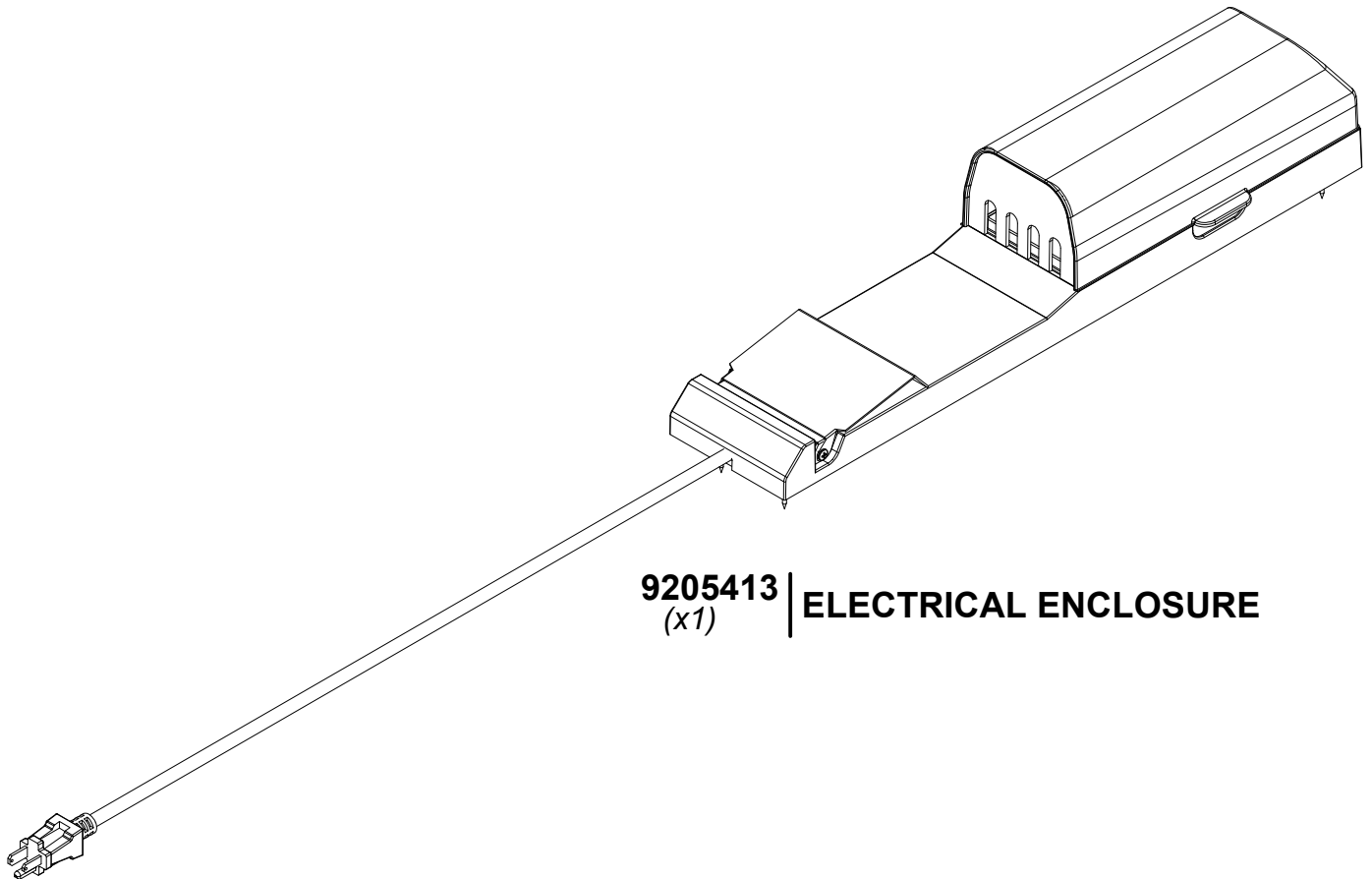


120 (x24)  
CONCRETE ANCHOR - 2"

630 (x24)  
WASHER - 8x19



**PRE-DRILL HOLES FOR CONCRETE ANCHORS  
USING A 3/16" CONCRETE DRILL BIT.**



**9205413** | **ELECTRICAL ENCLOSURE**  
(x1)

FOR POWERPORT INSTALLATION REFER TO ASSEMBLY INSTRUCTIONS THAT COME PACKAGED WITH THE POWERPORT KIT. INSTALL ON ANY POST THAT IS DESIRED. FOLLOW DIRECTIONS FOR PROPER INSTALLATION.