



12'×18' HARDTOP GAZEBO  
WITH DOUBLE ROOF

# ASSEMBLY MANUAL



Missing part? Damaged? Contact us via email at

[domiservice01@outlook.com](mailto:domiservice01@outlook.com)

# READ ALL INSTRUCTIONS BEFORE USE

## Warning & Attention

-This gazebo is not a toy. Children are not allowed to assemble or disassemble. Please take care of children, do not let them play around when assemble or disassemble.

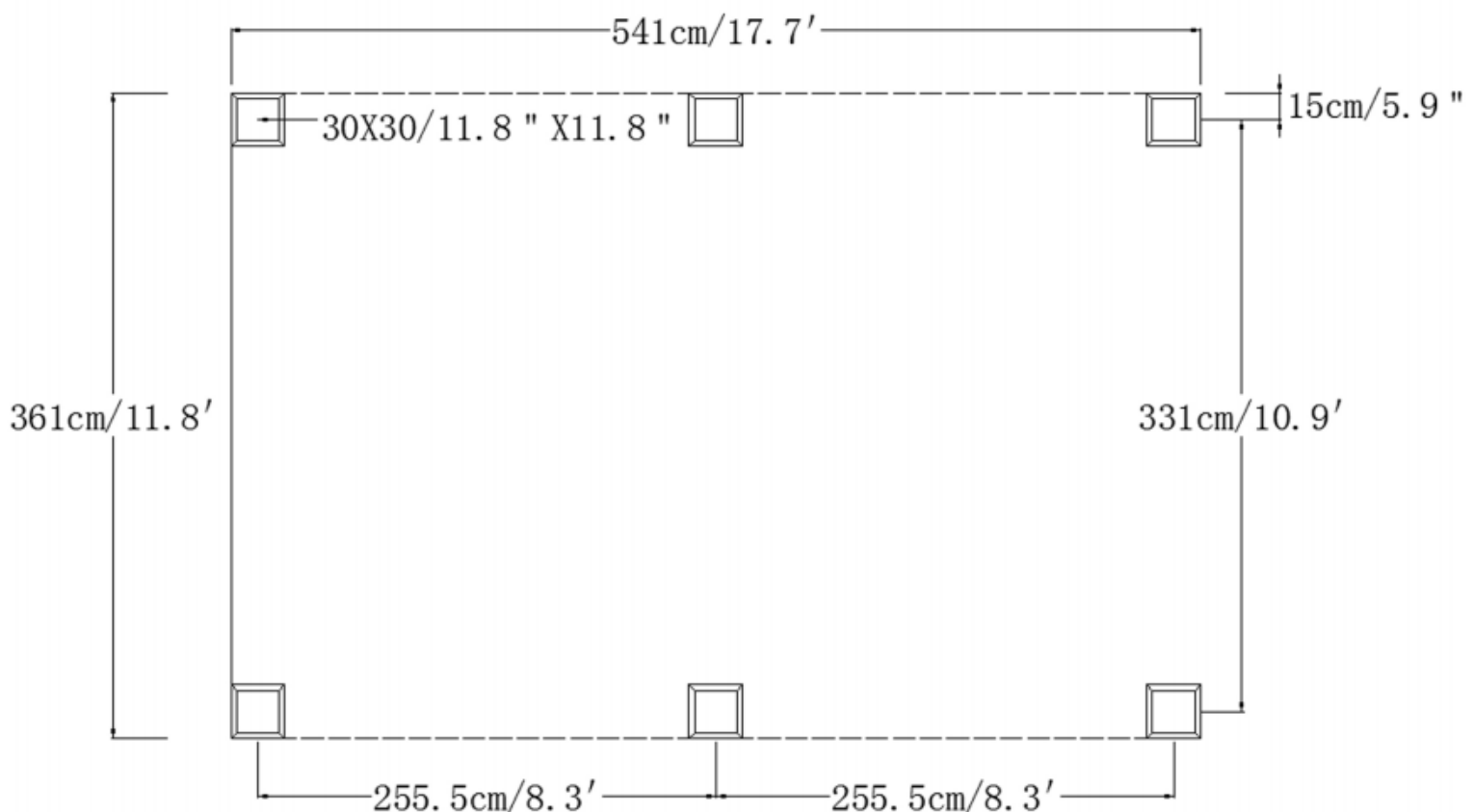
-Adults only for assemble or disassemble this product.



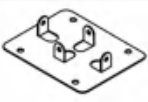









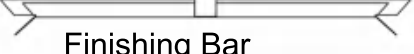


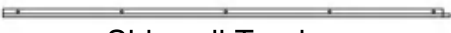


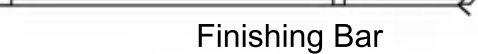













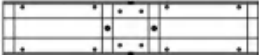


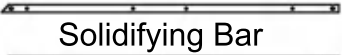







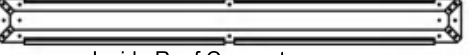



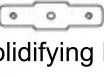
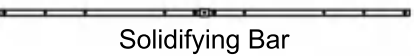
-This product is constructed with heavy duty frame, please do not lean or climb before it finish assembling.

-Even though our hardtop gazebo is sturdy, please do not stand under the gazebo during a lightning storm.

-DO NOT use this gazebo if any parts show signs of instability or damage.

## 12'x18' ANCHOR BLUEPRINT

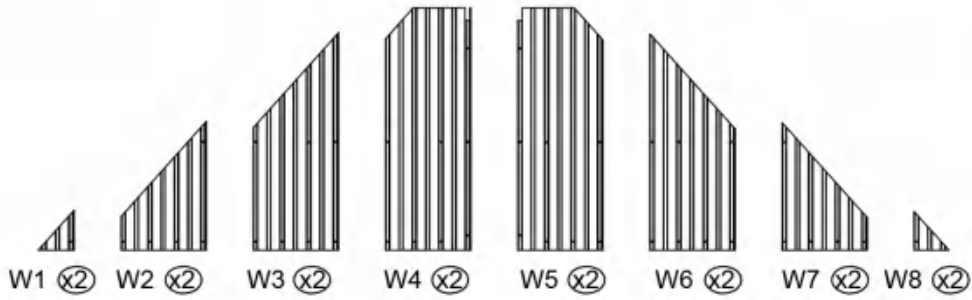


	Pole	A (x4)		Base L (x4)		Base L1 (x2)
	Pole	B (x2)		Corner Roof Bar		M (x4)
	Beam	C (x4)		Roof Bar		N (x2)
	Sidewall Track	C1 (x4)		Roof Bar		N1 (x4)
	Jointer Bar	C2 (x2)		Roof Bar		N2 (x2)
	Jointer Bar	C3 (x2)		Finishing Bar		P (x2)
	Beam	D (x4)		Net Frame		P1 (x2)
	Sidewall Track	D1 (x4)		Finishing Bar		Q1 (x2)
	Jointer Bar	D2 (x2)		Finishing Bar		Q2 (x2)
	Jointer Bar	D3 (x2)		Net Frame		Q3 (x2)
	Beam	E (x2)		Net Frame		Q4 (x2)
	Sidewall Track E1a (x2)			Finishing End R (x8)		Finishing End R1 (x2)
	Sidewall Track E1b (x2)			Spacer S (x148)		
	Jointer Bar E2a (x2)			Finishing Bar T (x2)		
	Jointer Bar E2b (x2)			Finishing Bar T1 (x2)		
	Union Bar F (x6)			Finishing Bar T2 (x2)		
	Corner Cover G (x4)			Solidifying Bar U1 (x2)		
	Joint Cover H (x6)			Joint Cover H1 (x6)		Joint Cover H2 (x1)
	Corner Solidifying Bar J1 (x4)			Solidifying Bar U2 (x2)		
	Corner Solidifying Bar J2 (x4)			Solidifying Bar U3 (x2)		
	Inside Roof Connector K (x1)			Solidifying Bar U4 (x2)		
	Outside Roof Connector K1 (x1)			Solidifying Bar U5 (x4)		Solidifying Bar U6 (x6)
				Solidifying Bar U7 (x2)		

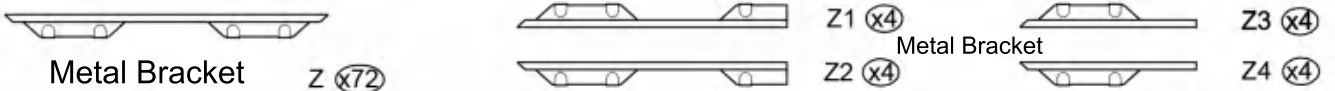
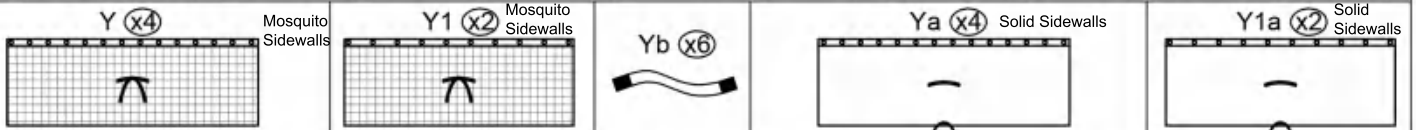
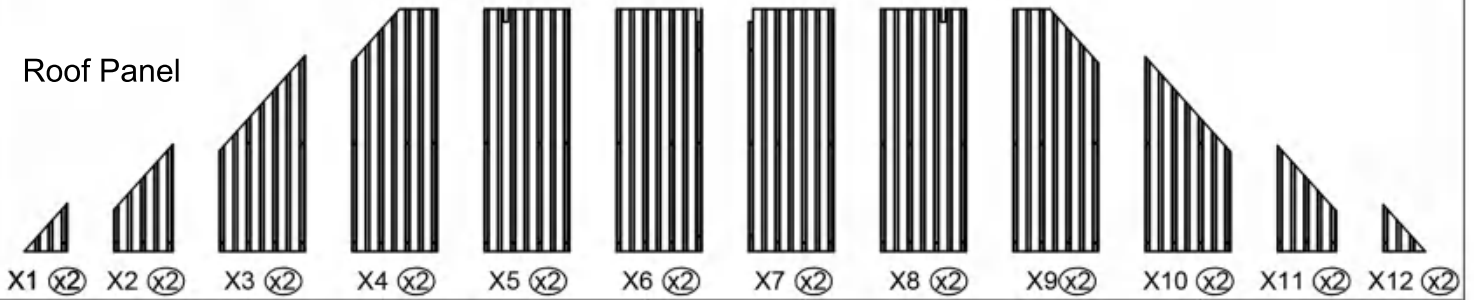
Roof Panel

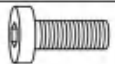
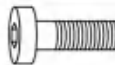

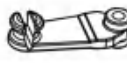
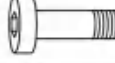
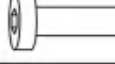
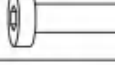


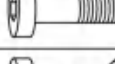
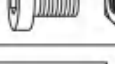


Roof Panel



Roof Panel



	M6x16	Screws	1# x287+3
	M6x20	Screws	2# x28+2
		Screws	3# x16+2
		Hook	4# x144
	M6x28	Screws	5# x92+3
	M6x45	Screws	6# x8+1
	M6x50	Screws	7# x44+2
	M5x16	Screws	8# x6+1
	ST4.8x13	Screws	9# x28+2
	M6x25	Screws	10# x4+1
	M6x10	Screws	11# x16+1

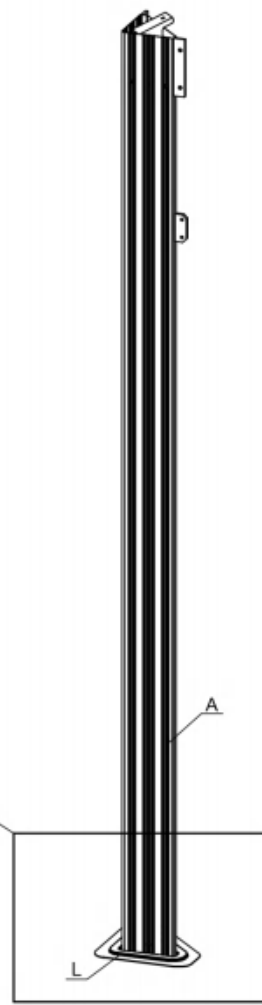
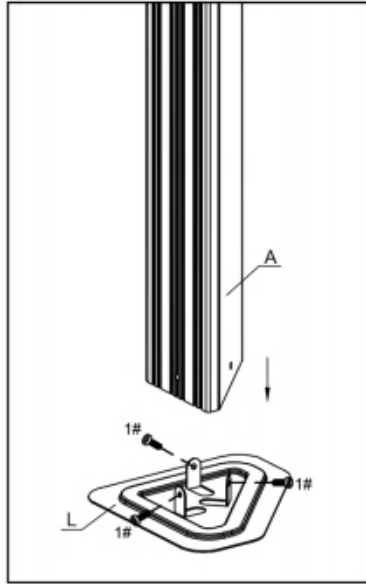


**Step 1:**  
Connect Part A and Part L using  
#1 screws.

A (x4)

L (x4)

1#  
x12  
M6x16

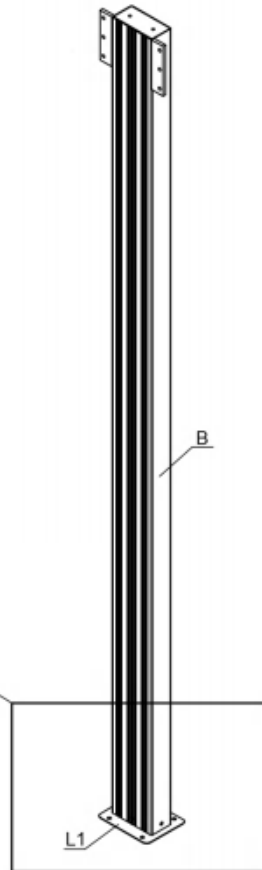
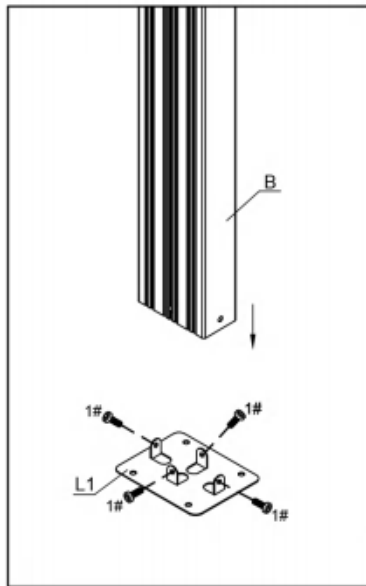


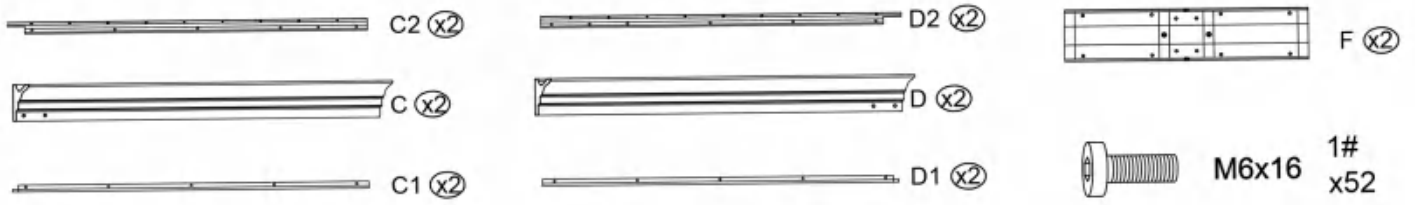
Connect Part B and Part L using #1  
screws.

B (x2)

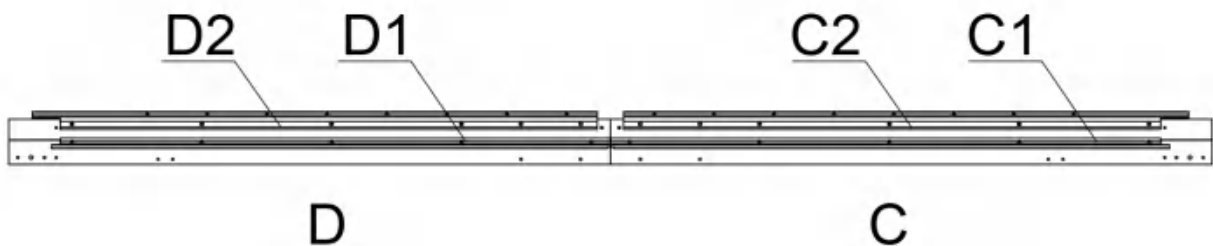
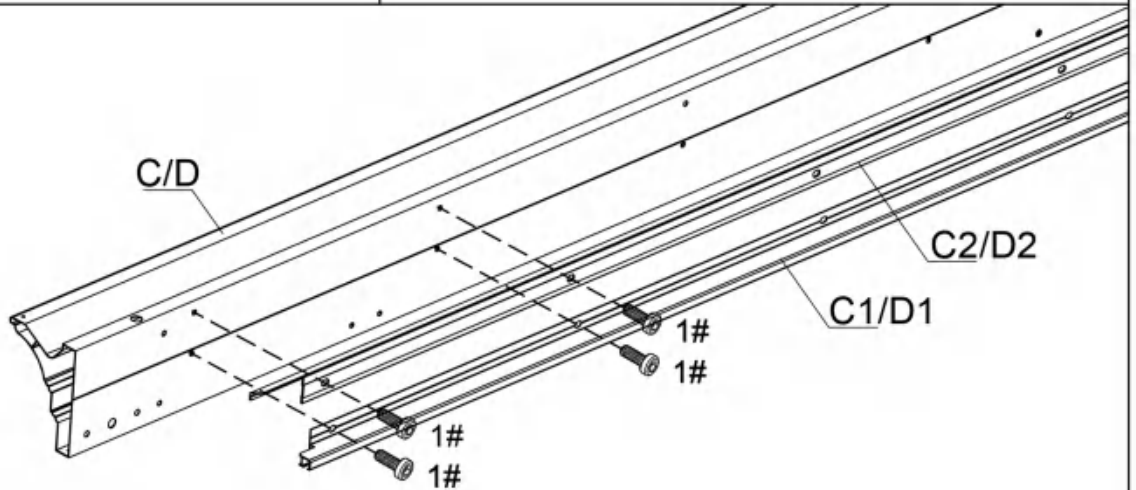
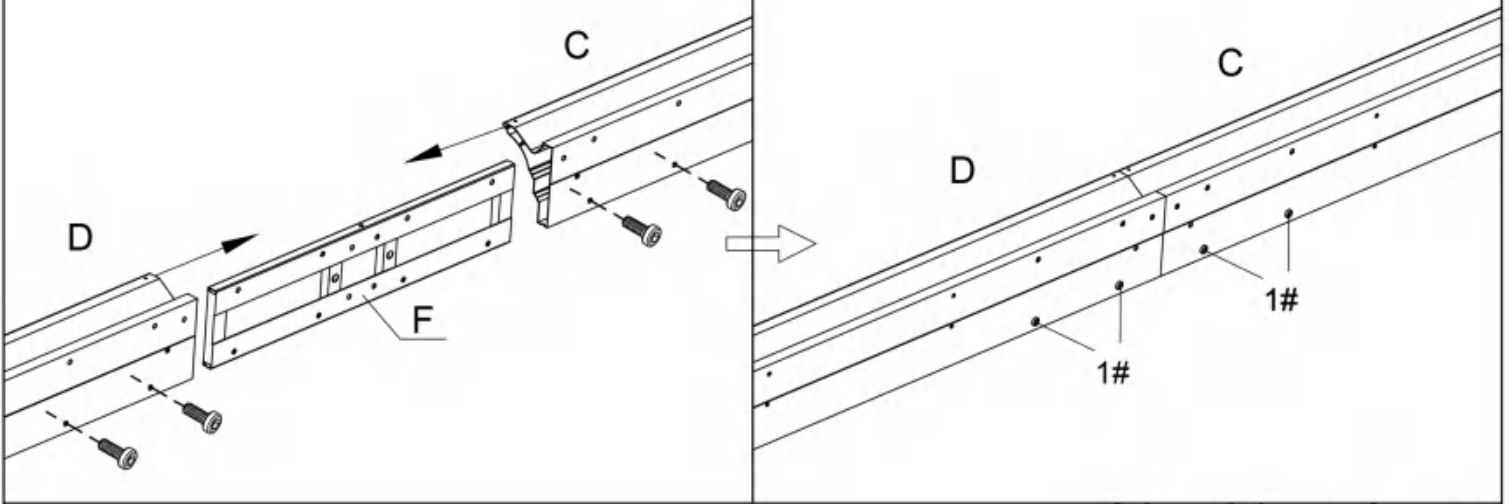
L1 (x2)

1#  
x8  
M6x16

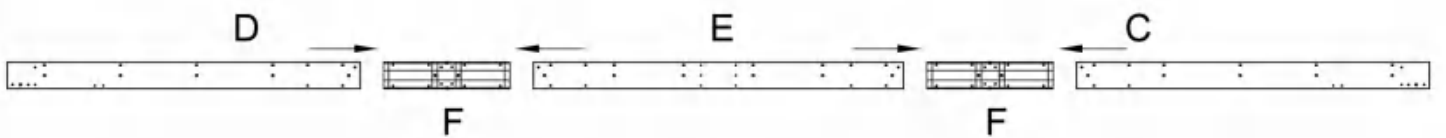
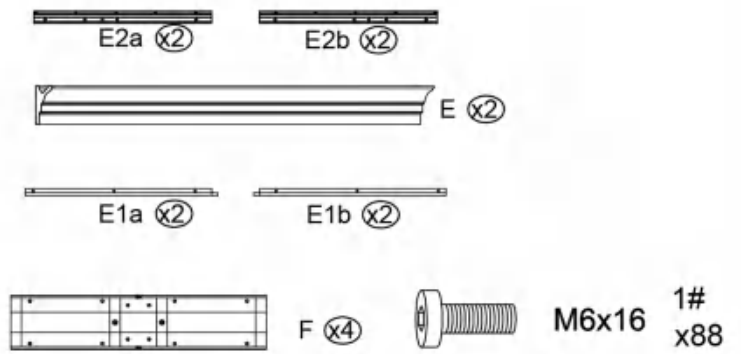
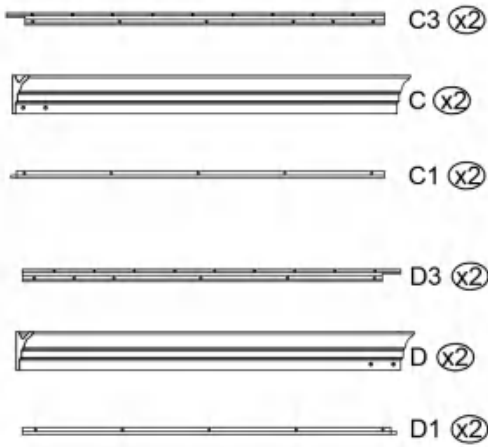




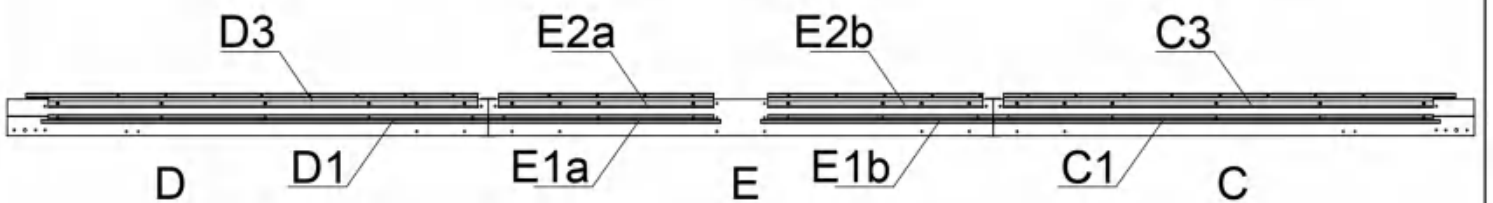
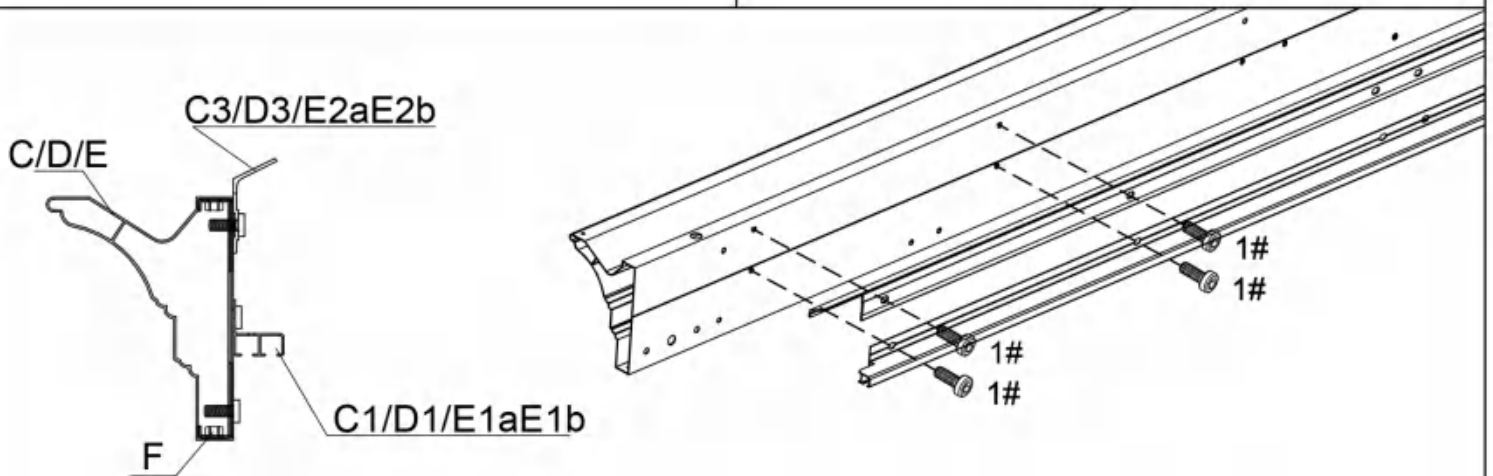
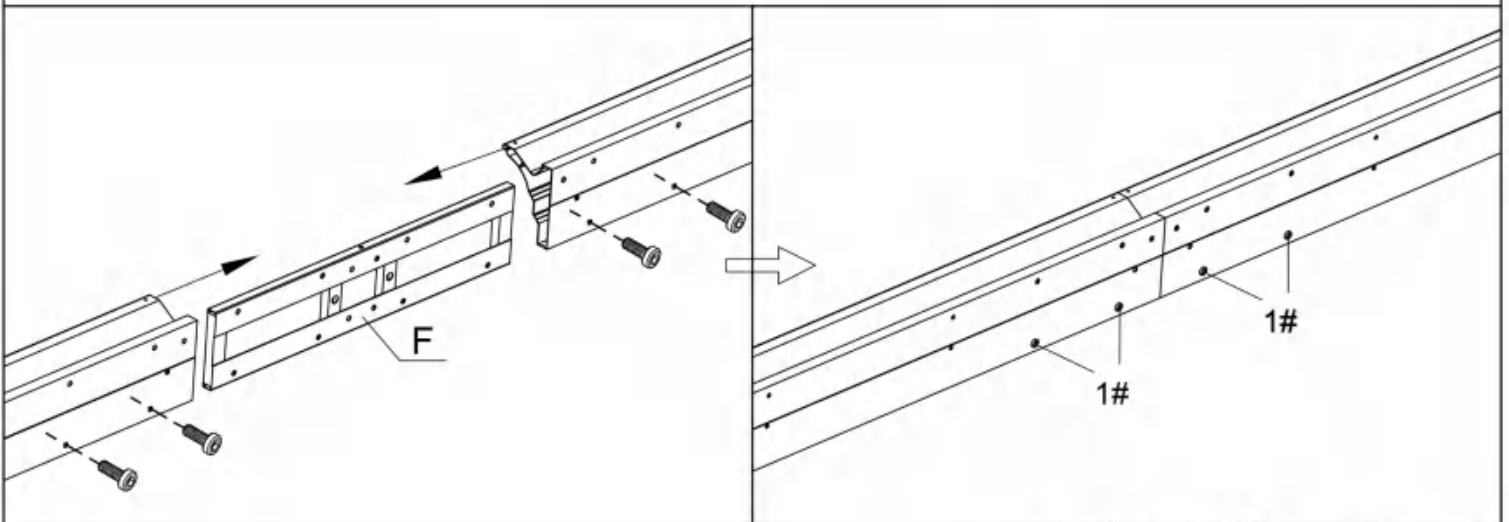
Step 2: Connect Part C(Beam) and Part D(Beam) with Part F(Union Bar) using Screws 1#.



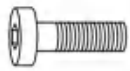
Assemble Part C1 and D1(Sidewall Track), Part C2 and D2(Jointer Bar) to the beam(C/D) using screws 1# as shown in the diagram.



Step 3: Connect Part D and Part E, Part E and Part C with Part F(Union Bar) using Screws 1#.



Assemble Part C1 and D1(Sidewall Track),Part D3 and C3,E2a and E2b(Jointer Bar) to the beam(C/D) using screws 1# as shown in the diagram.

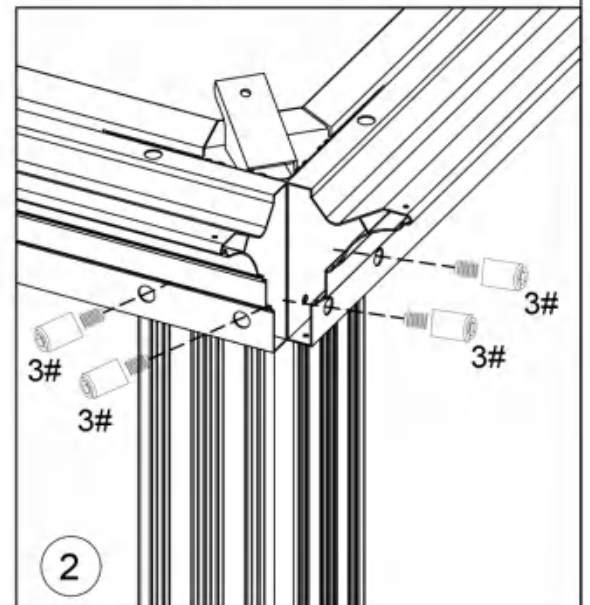
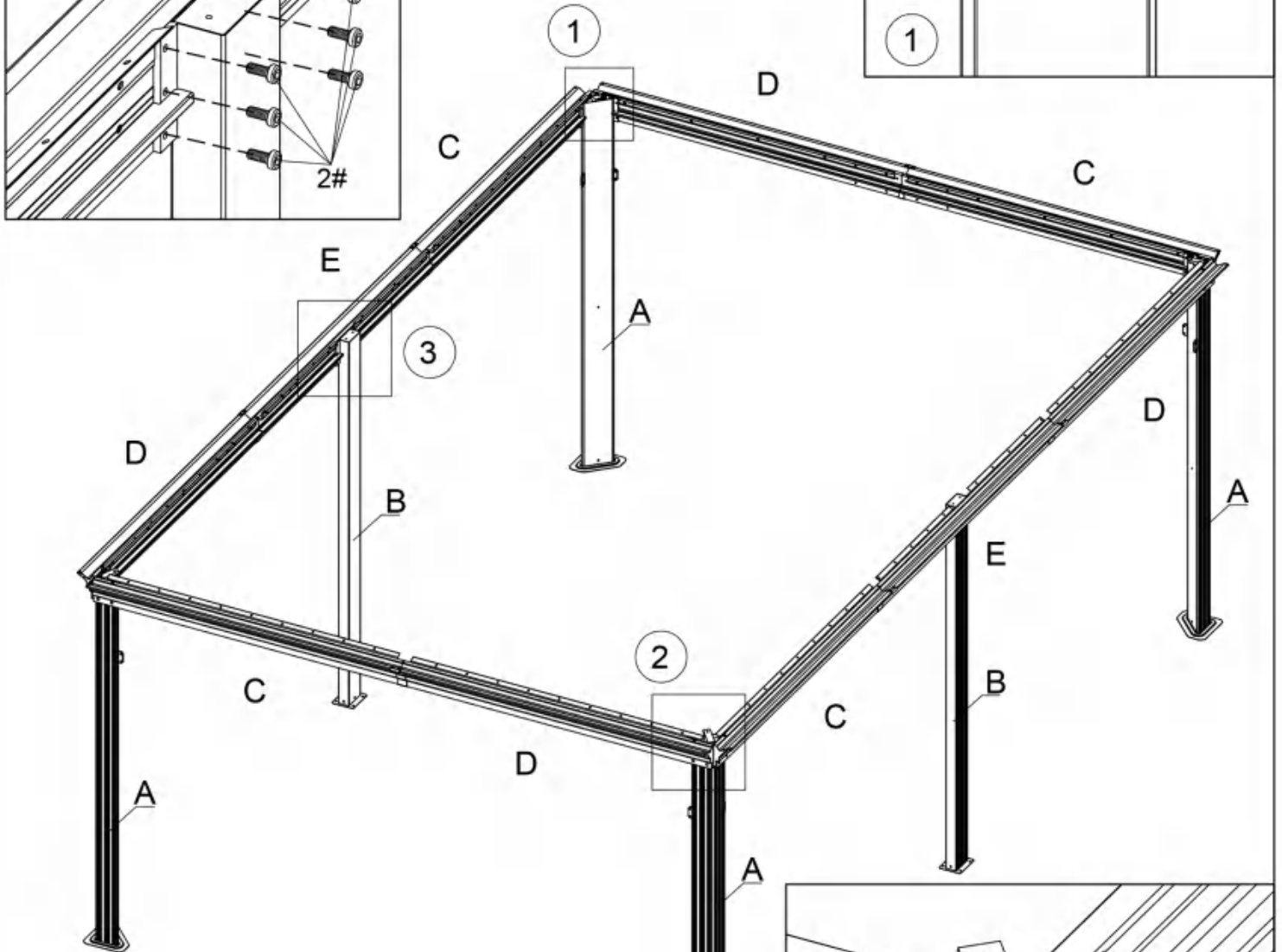
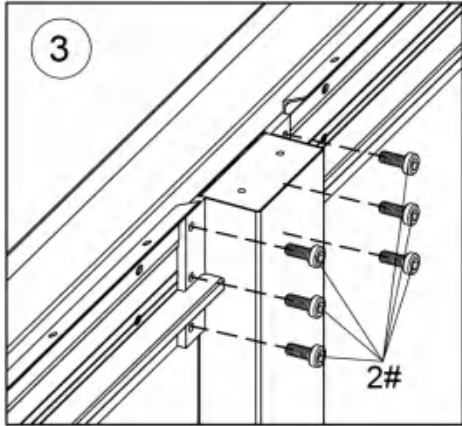
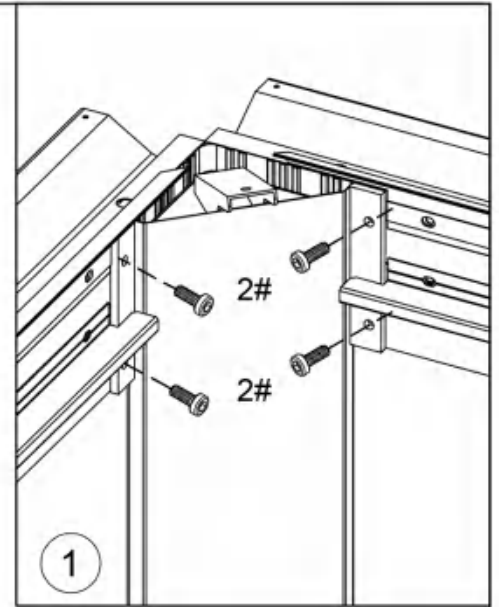


M6x20

2#  
x28



3#  
x16



## Step 4:

Connect Poles and Beams together with Screws(2#&3#).

Screws #2 for Marked ① and ③.

Screws #3 for Marked ②.

Replicate six times.

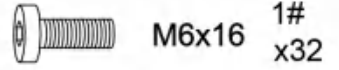




J1 (x4)

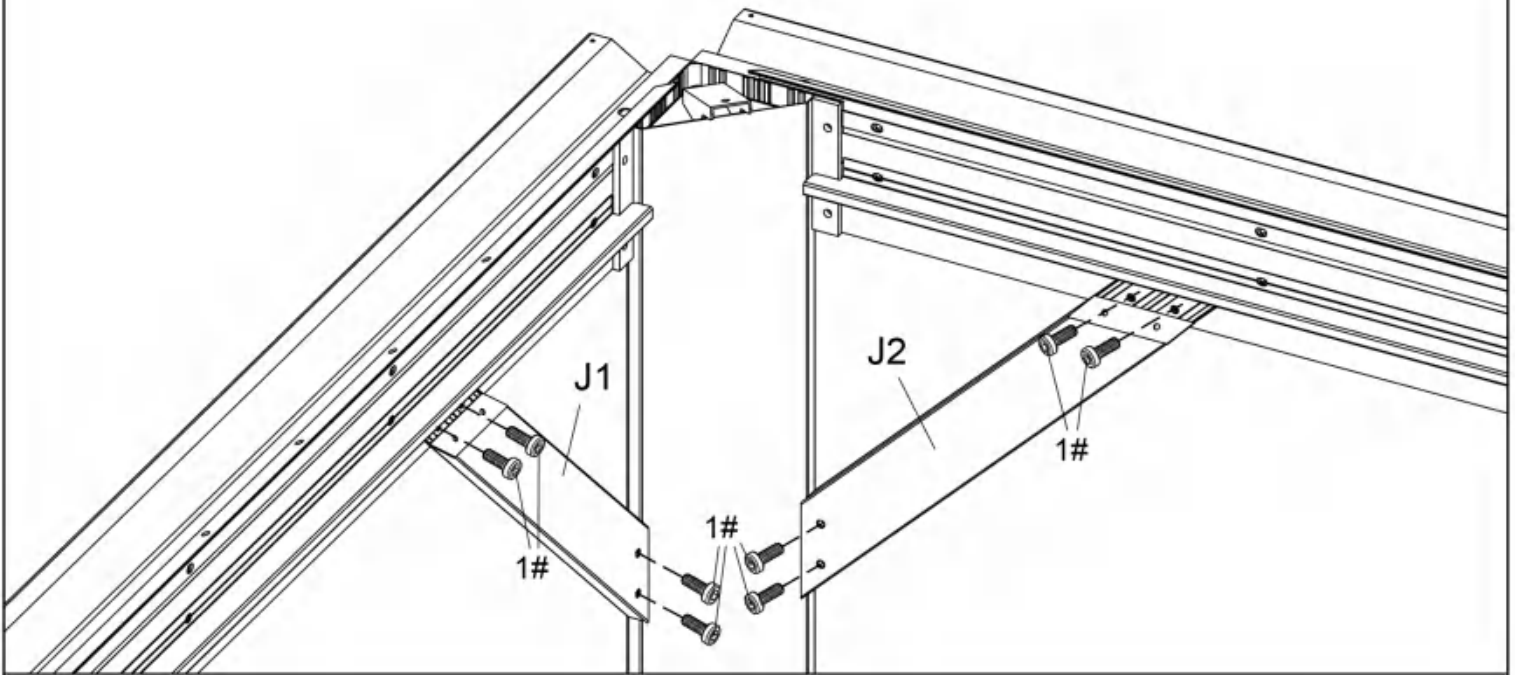


J2 (x4)

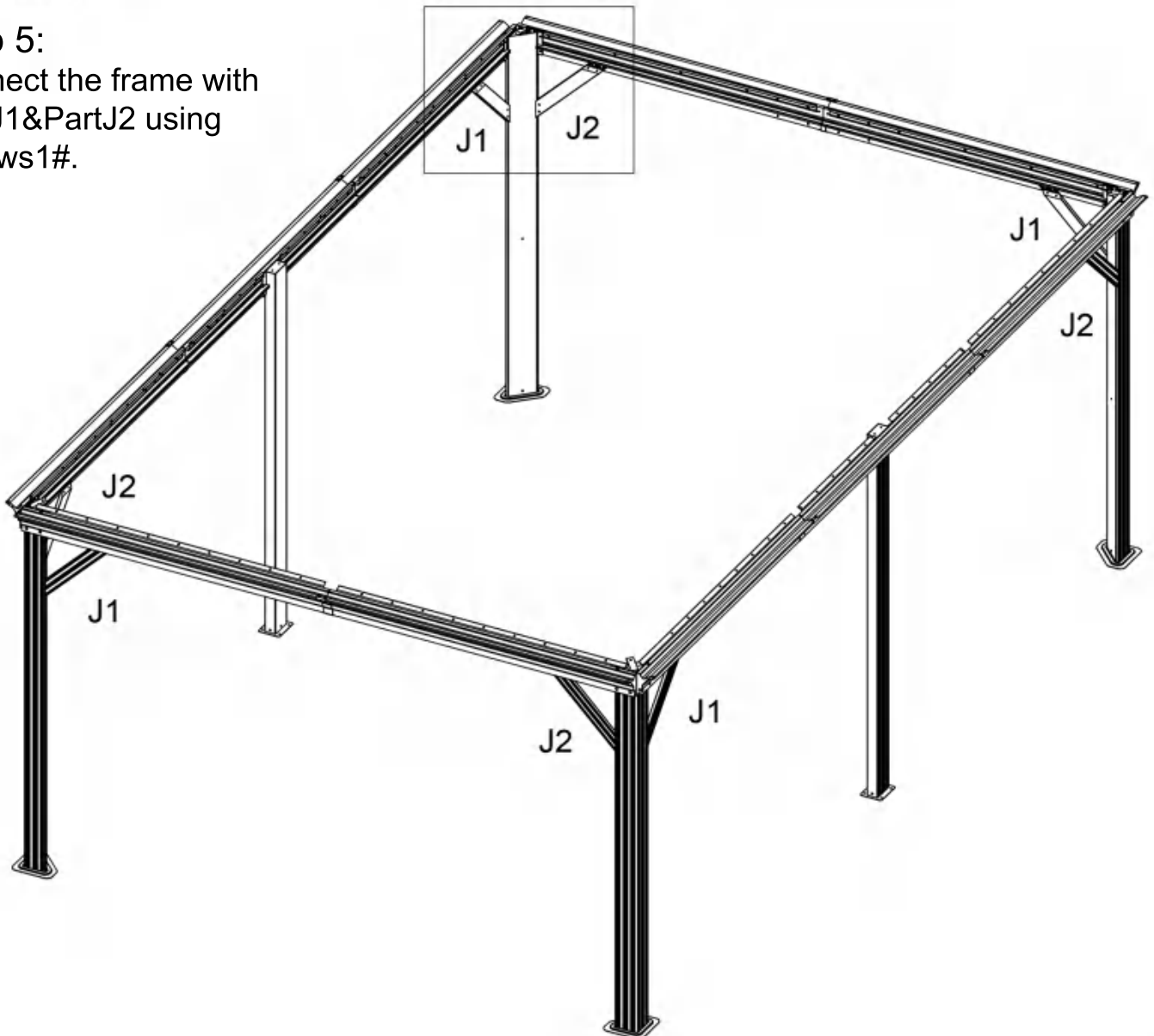


M6x16

1#  
x32



**Step 5:**  
Connect the frame with  
Part J1 & Part J2 using  
Screws 1#.





G (x4)



H (x6)



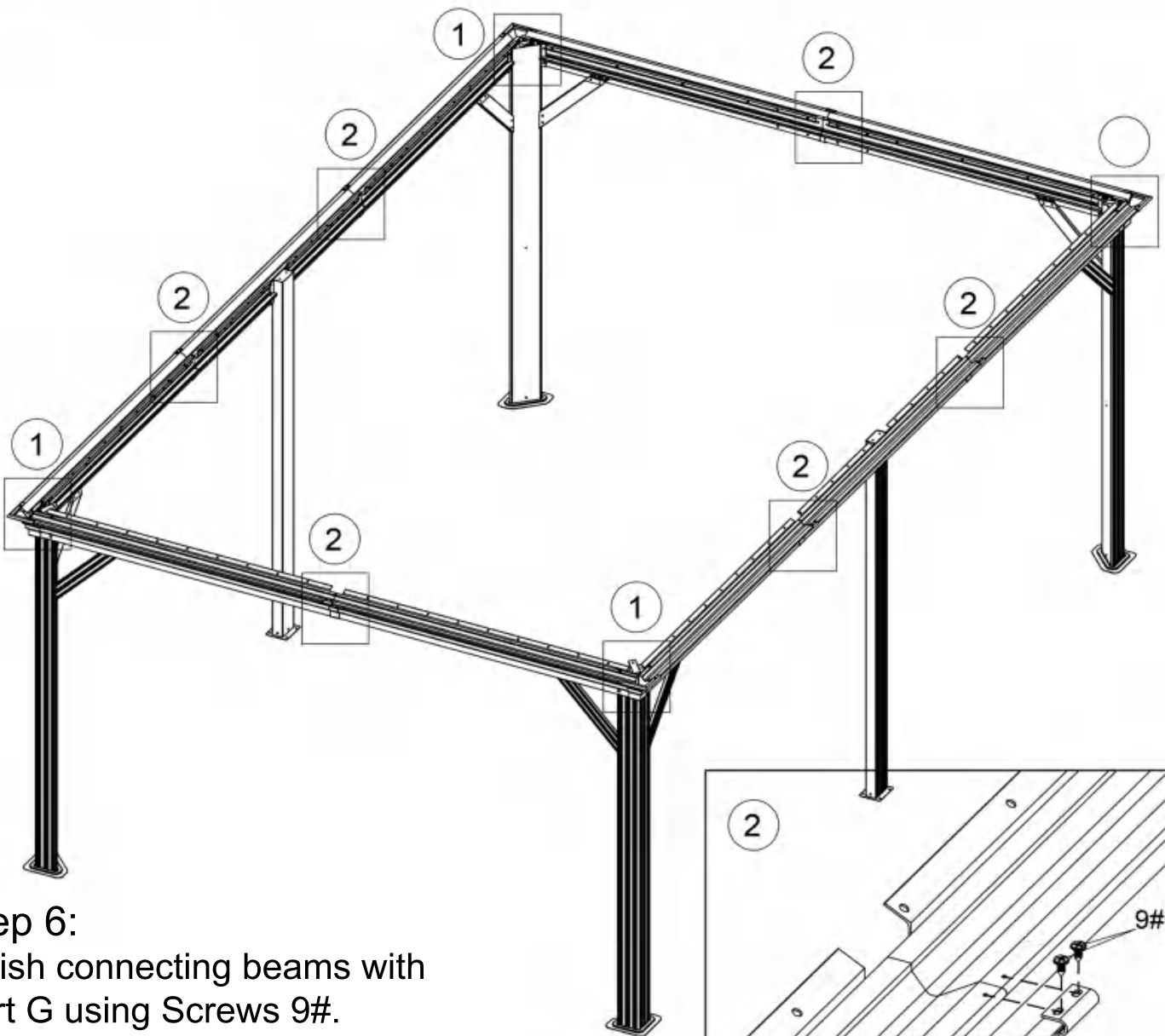
M5x16 8# x6



ST4.8x13 9# x28



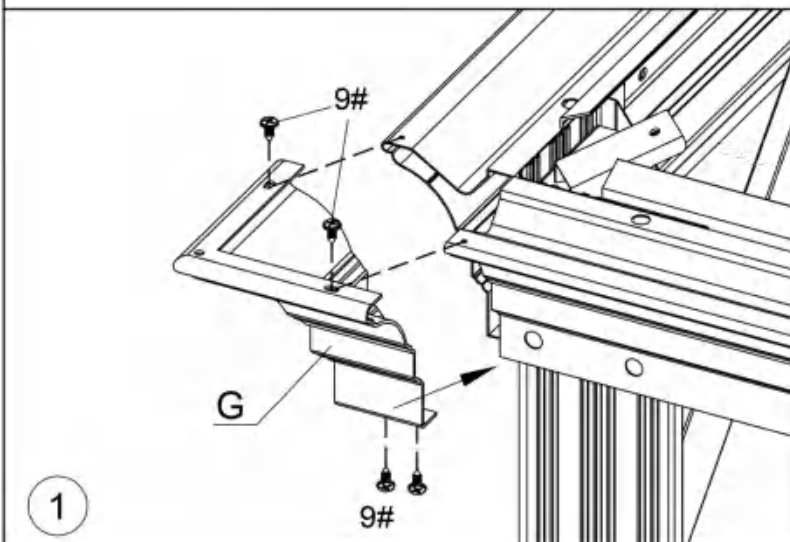
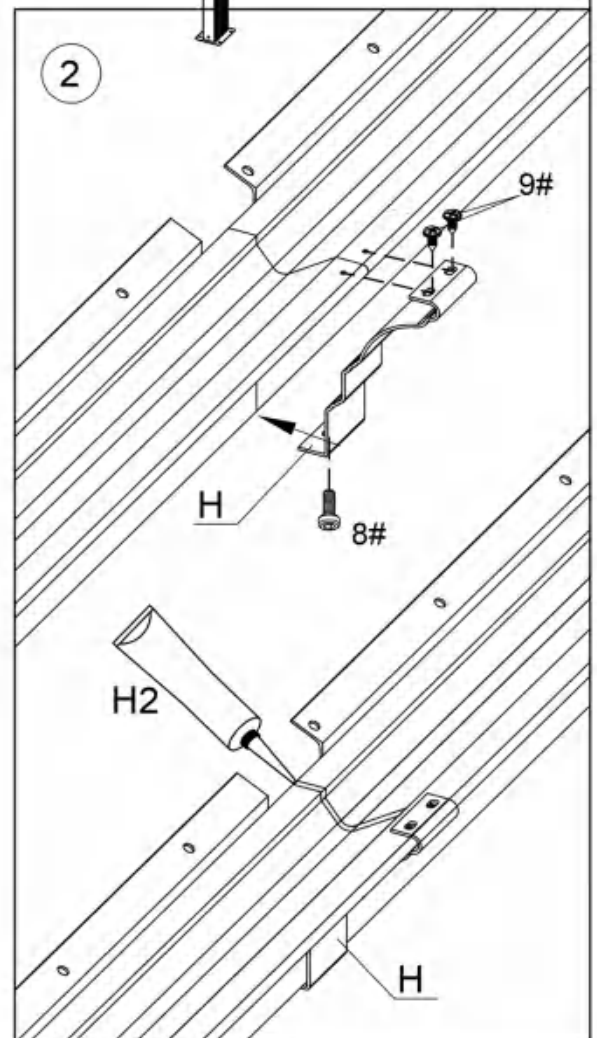
H2 (x1)



### Step 6:

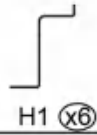
Finish connecting beams with Part G using Screws 9#.

Affix middle beams using Part H with Screws 9# and Screws 8#.

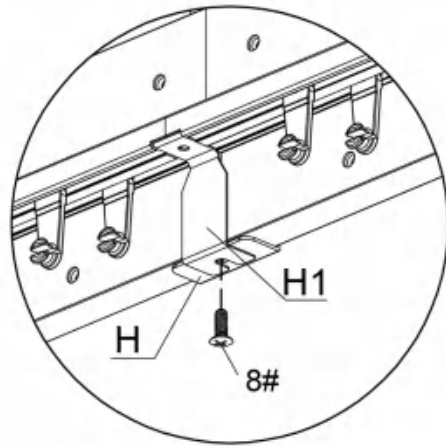
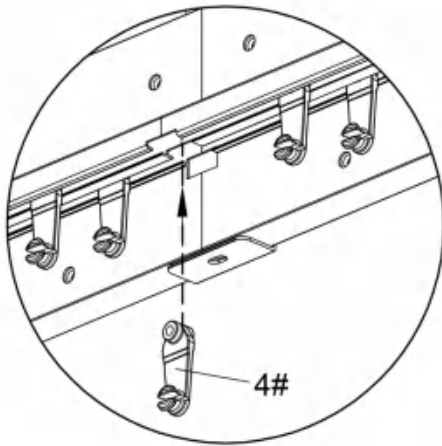
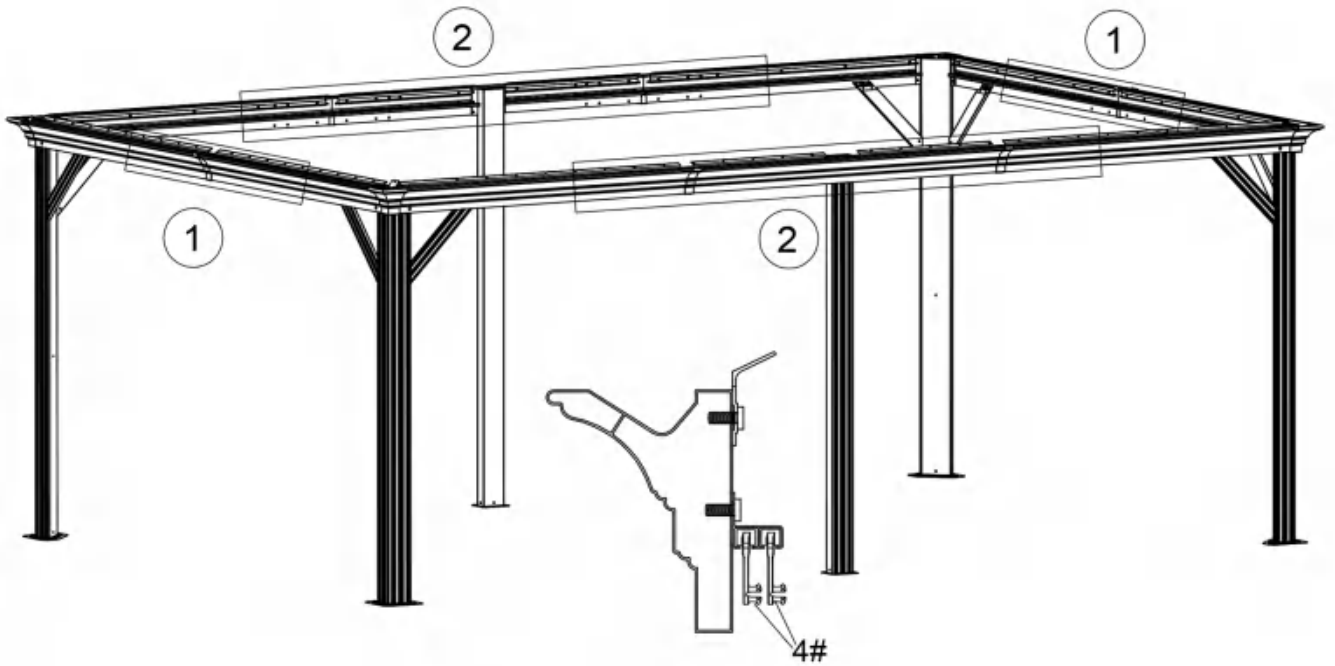




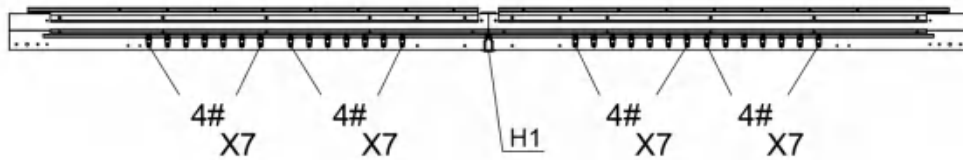
4#  
x144



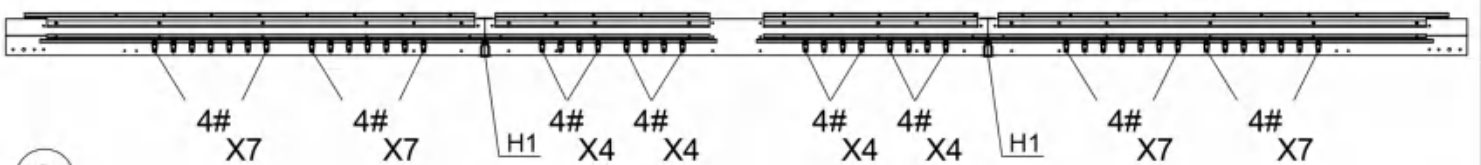
H1 (x6)



Step 7: Put Hooks on Sidewall Track as shown in the diagram.

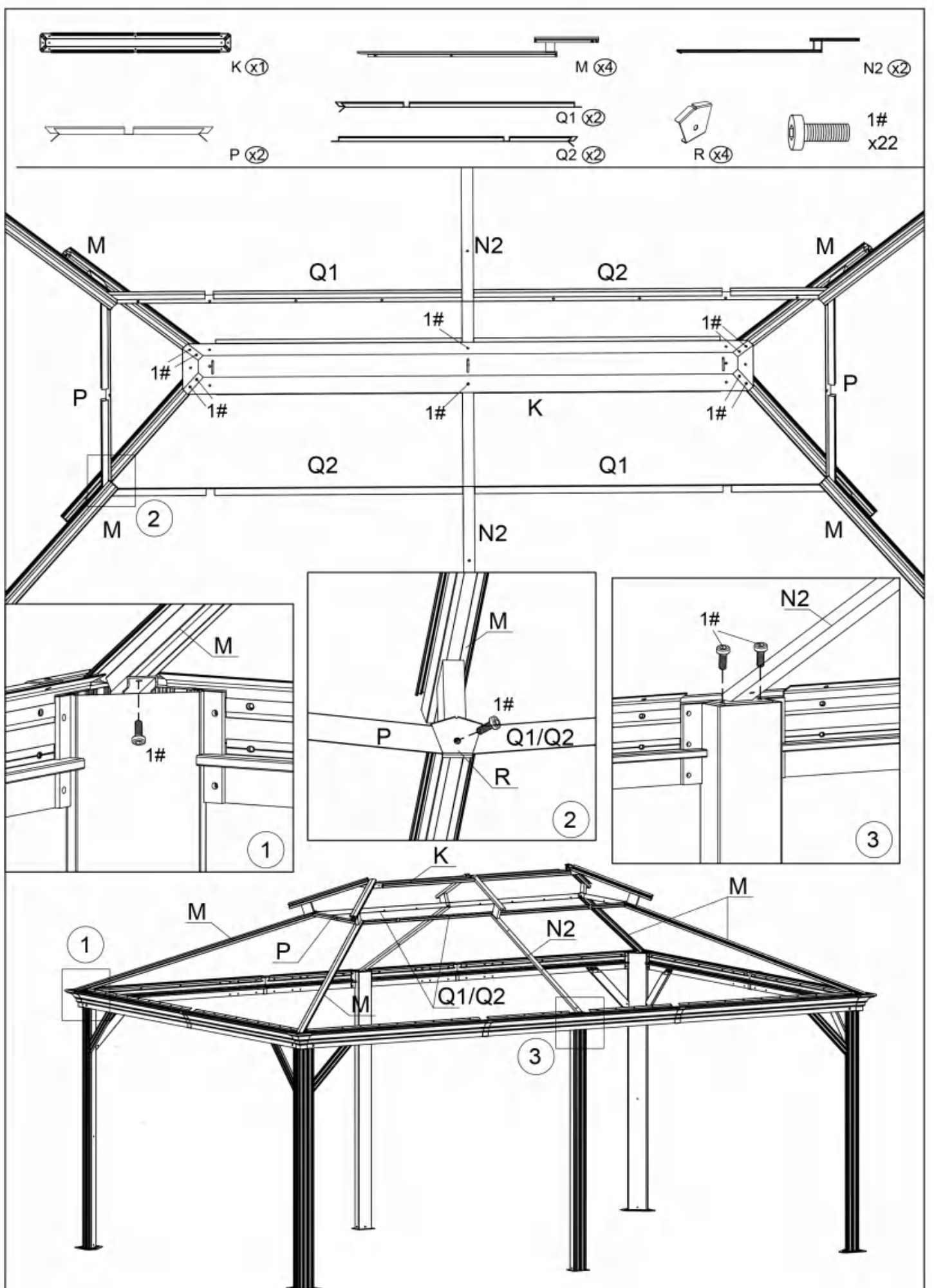


1

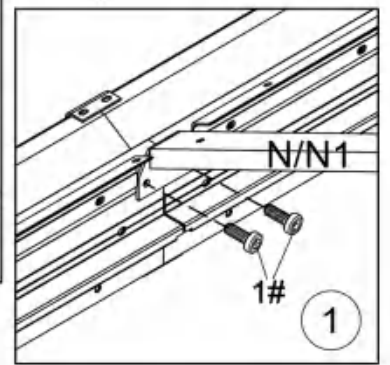
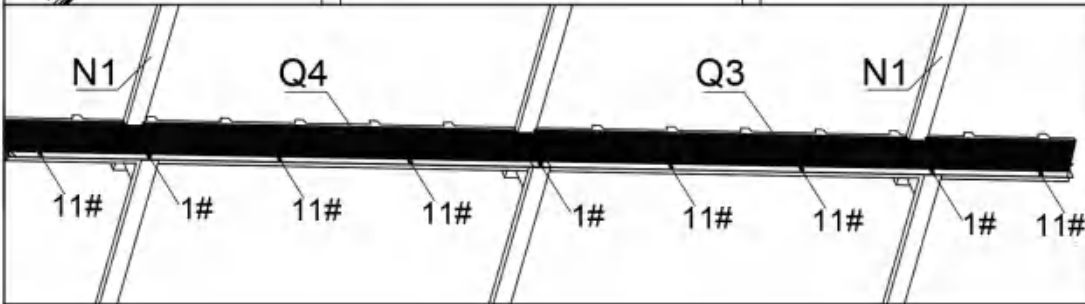
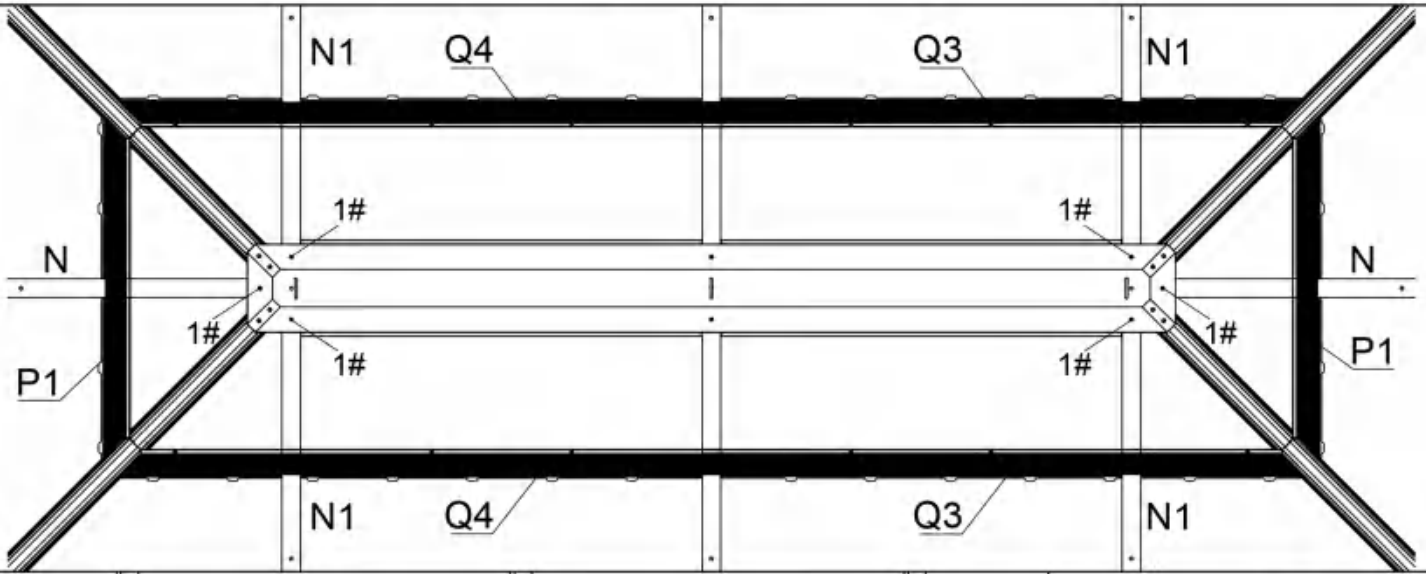
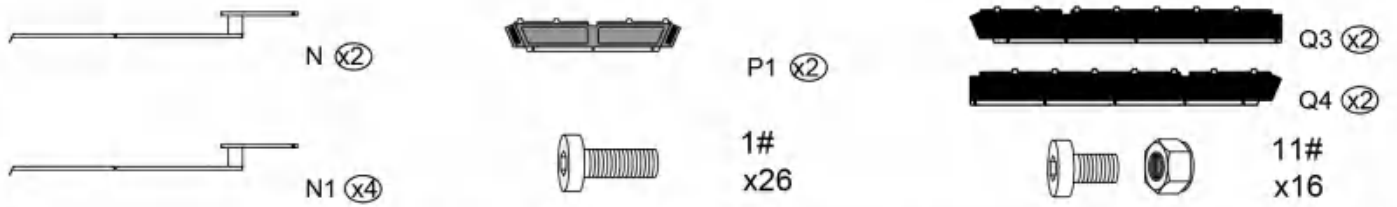


2

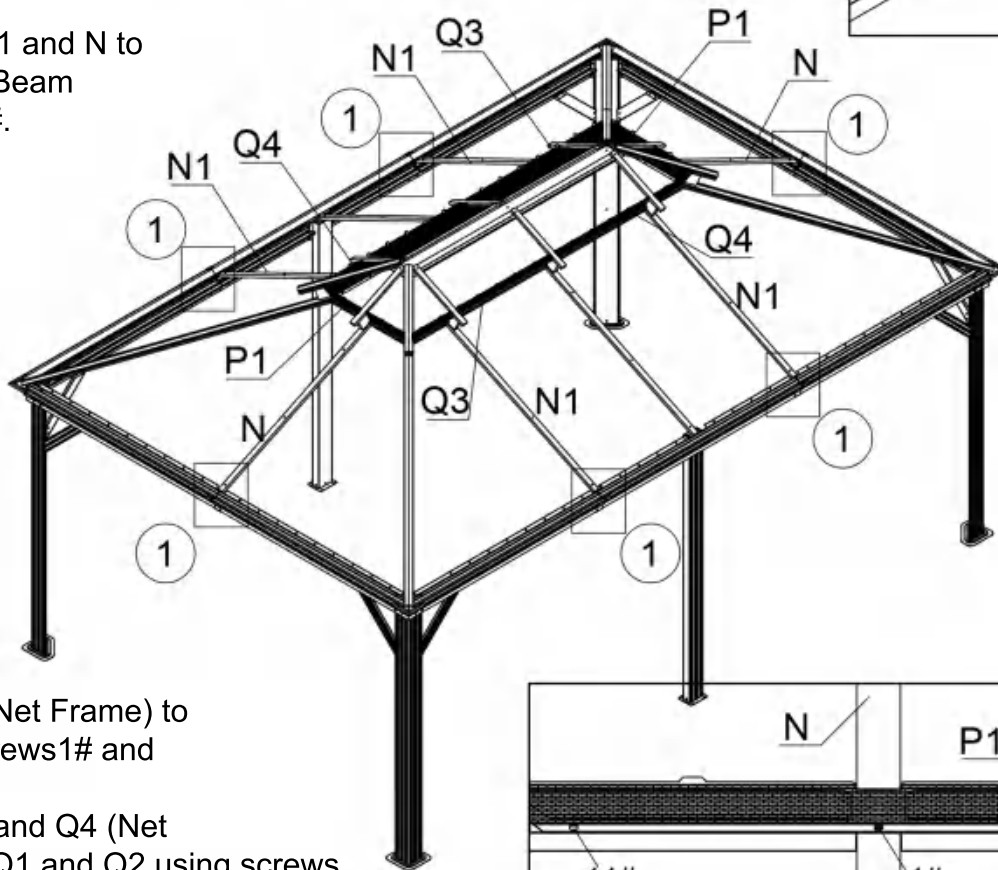
After completing the hook track, lock them with H1 using screws 8#.



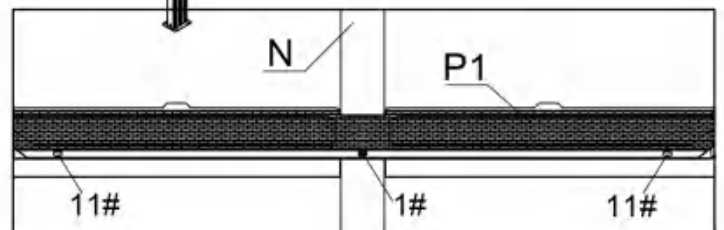
Step 8: Connect Part M to Part K(Inside Roof Connector) and the Beam using Screws1#.  
 Connect Part N2 to Part K and the Beam using Screws1#.  
 Connect Part Q1,Q2 and Part P to Part M and Part N2 with Part R using screws1#.



Connect Part N1 and N to Part K and the Beam using Screws 1#.

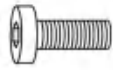


**Step 9:**  
 Attach Part P1(Net Frame) to Part P using screws 1# and screws 11#.  
 Attach Part Q3 and Q4 (Net Frame) to Part Q1 and Q2 using screws 1# and 11#.

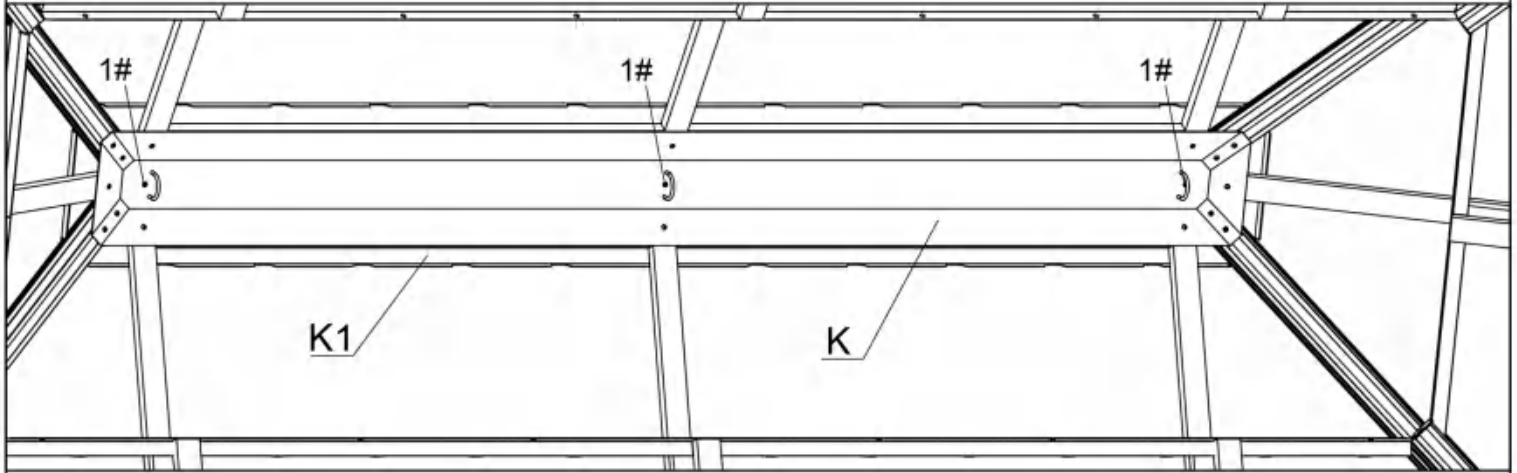




K1 (x1)

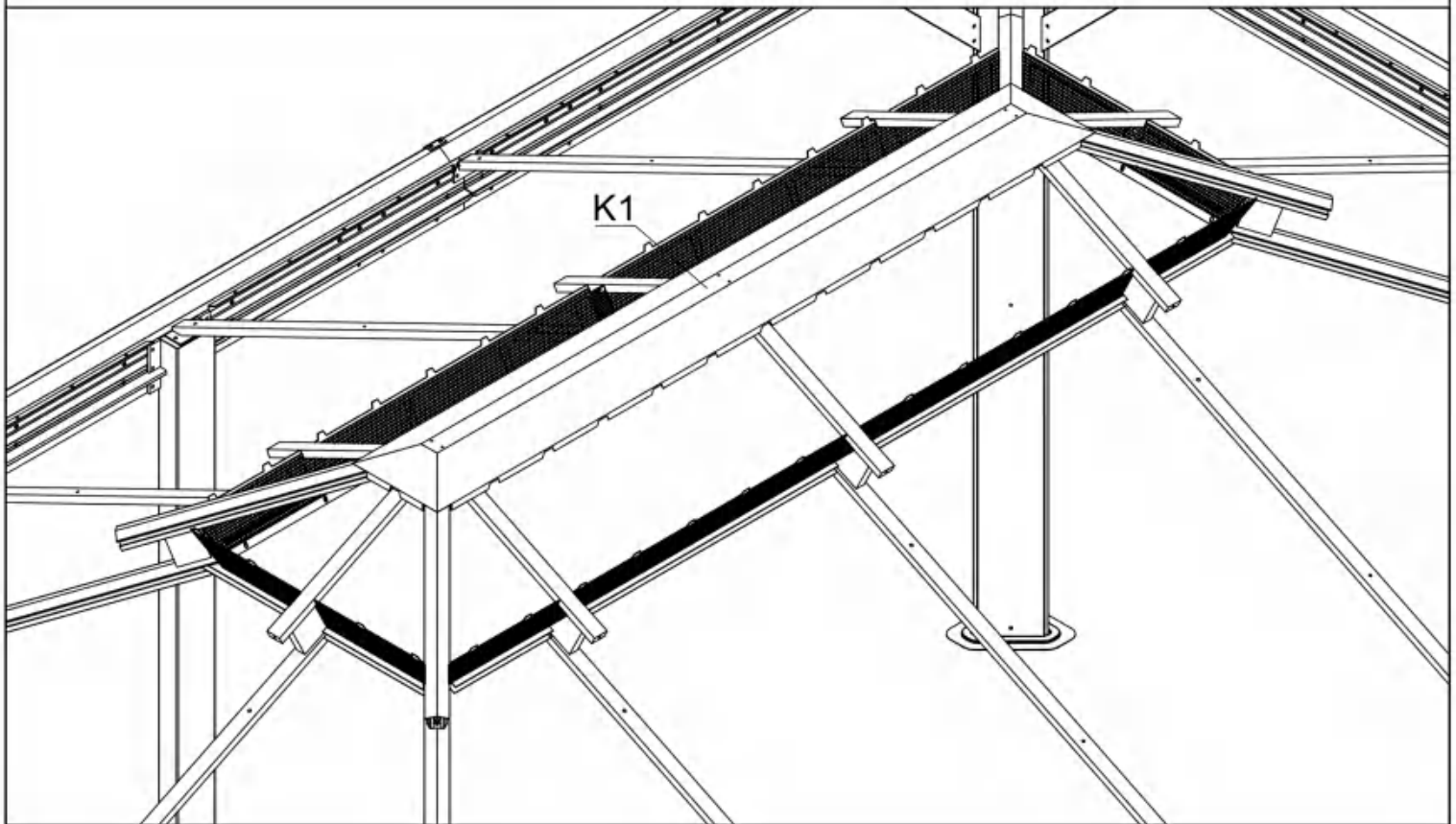


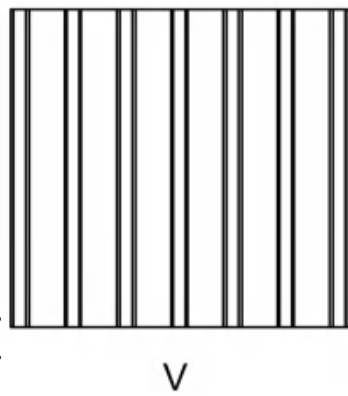
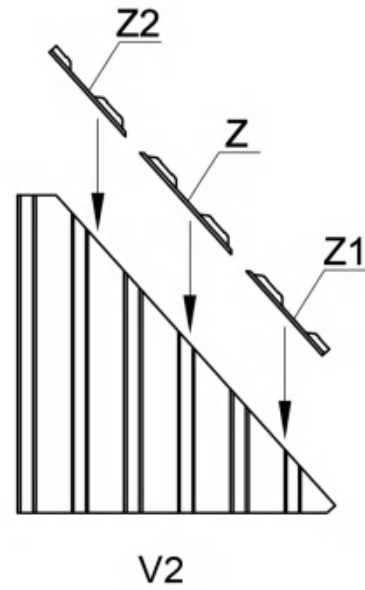
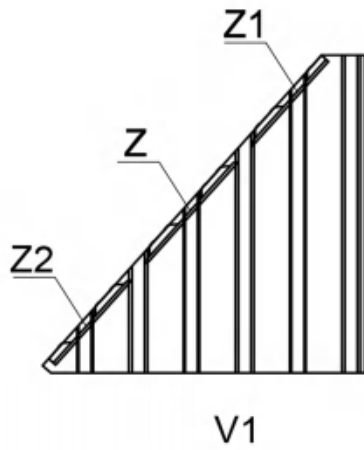
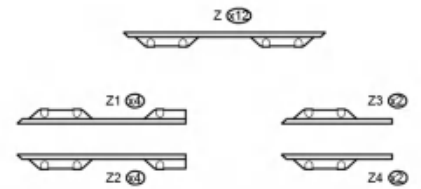
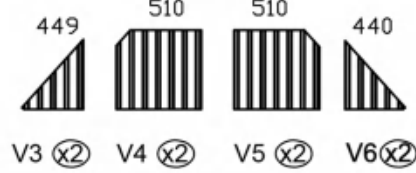
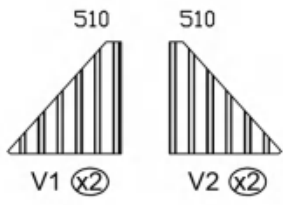
1#  
x3



### Step 10:

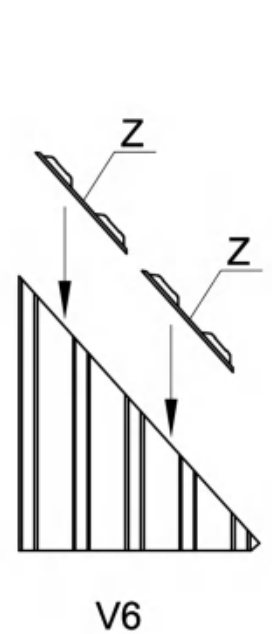
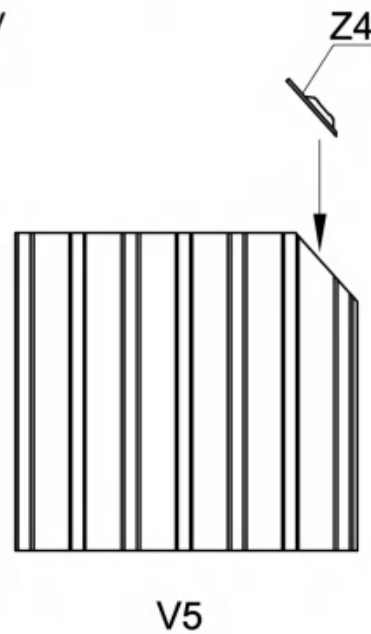
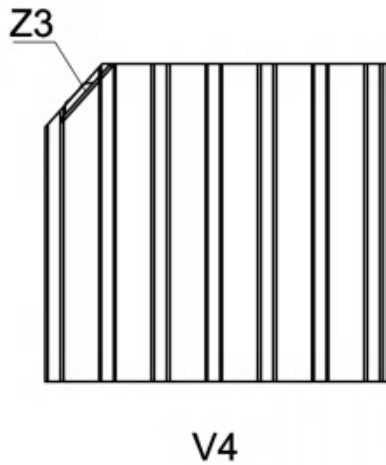
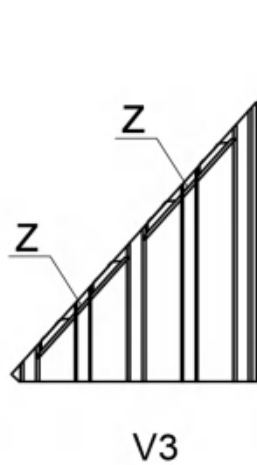
Connect Part K1 (Outside Roof Connector) to Part K (Inside Roof Connector) using screw 1#.

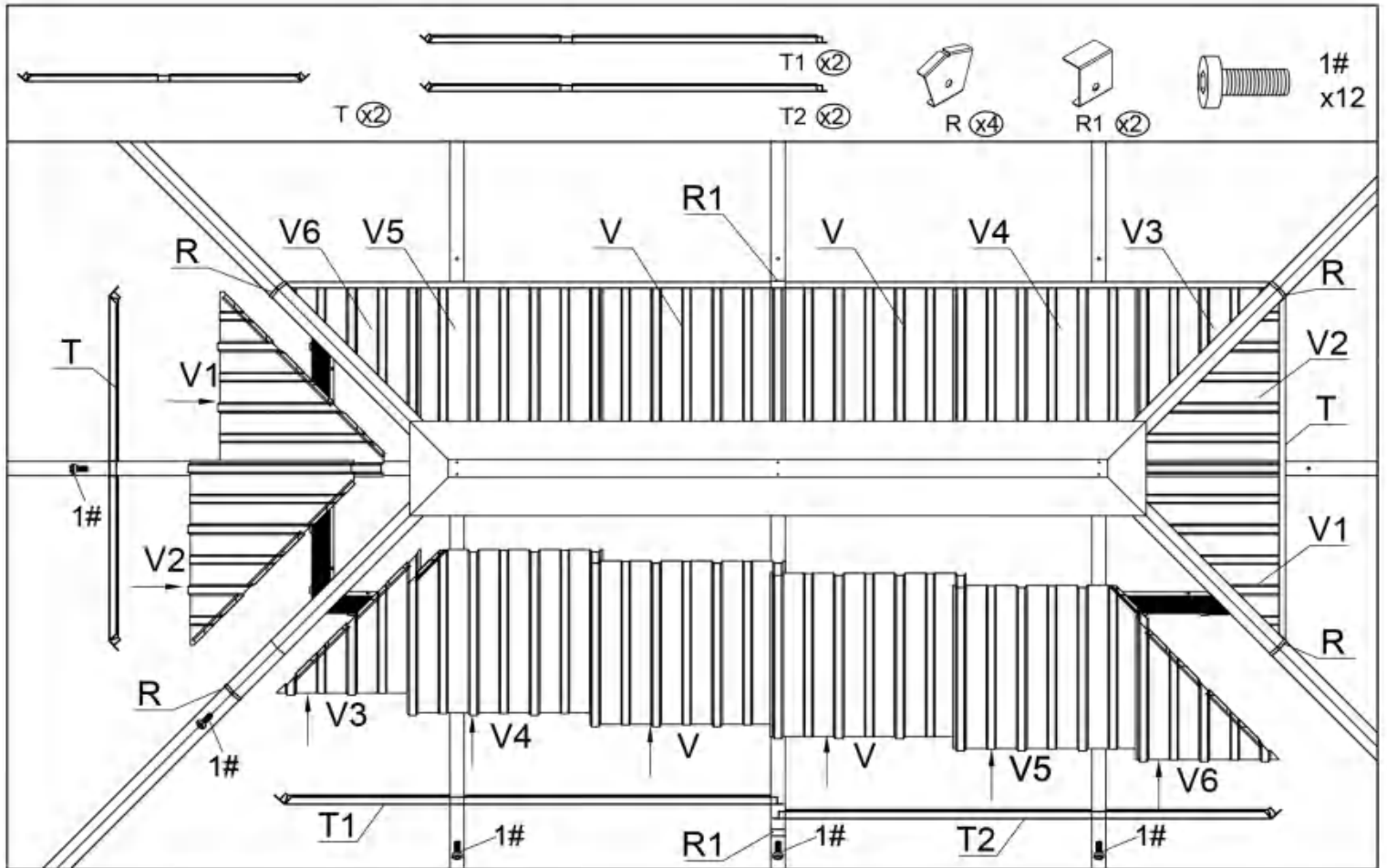




### Step11:

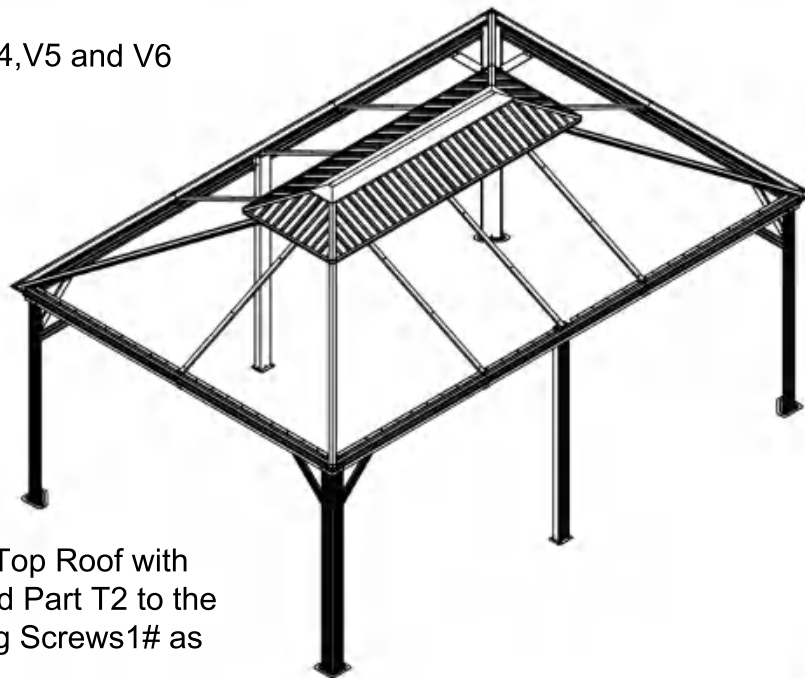
- Cover Part Z,Z1,Z2 to Roof Panels(V1).
- Cover Part Z,Z1,Z2 to Roof Panels(V2).
- Cover Part Z to Roof Panels(V3).
- Cover Part Z3 to Roof Panels(V4).
- Cover Part Z4 to Roof Panels(V5).
- Cover Part Z to Roof Panels(V6).



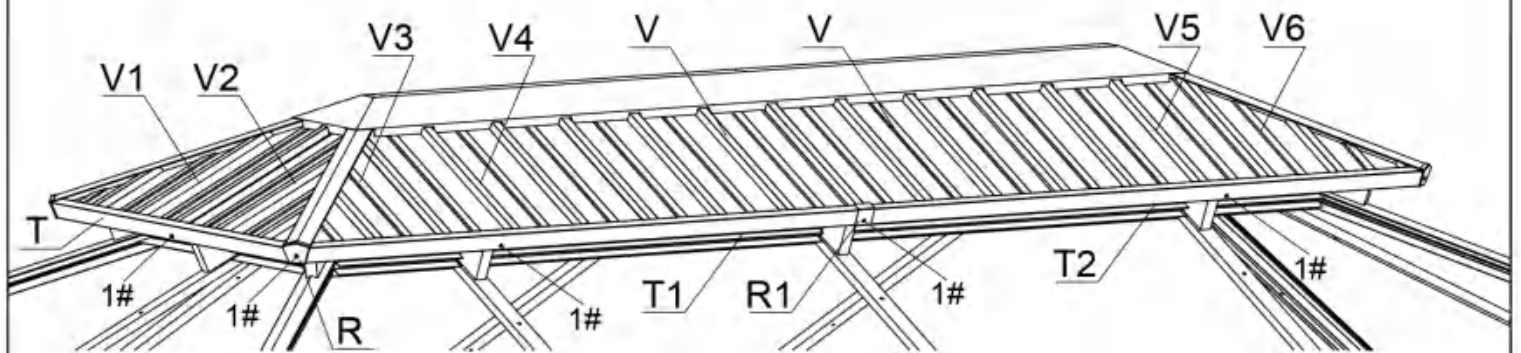


**Step 12:**





Push Part V1,V2,V3,V4,V5 and V6 to the top Roof.



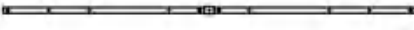


Connect Part T to the Top Roof with Part R. Connect T1 and Part T2 to the Top Roof with R1 using Screws 1# as shown in the diagram.

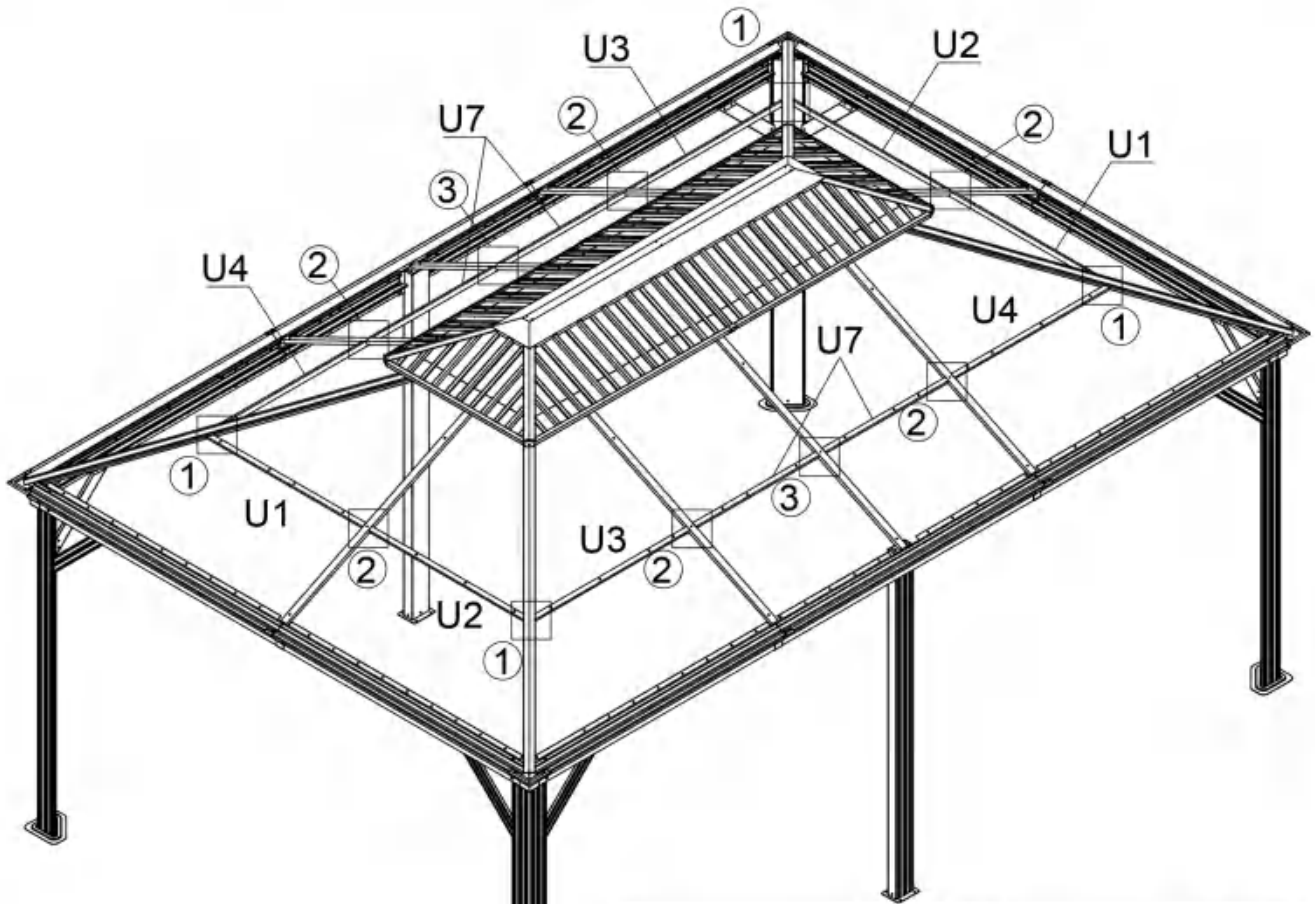




-  U1 (x2)
-  U2 (x2)
-  U3 (x2)
-  U4 (x2)

-  U5 (x4)
-  U6 (x6)
-  U7 (x2)

 1#  
x32

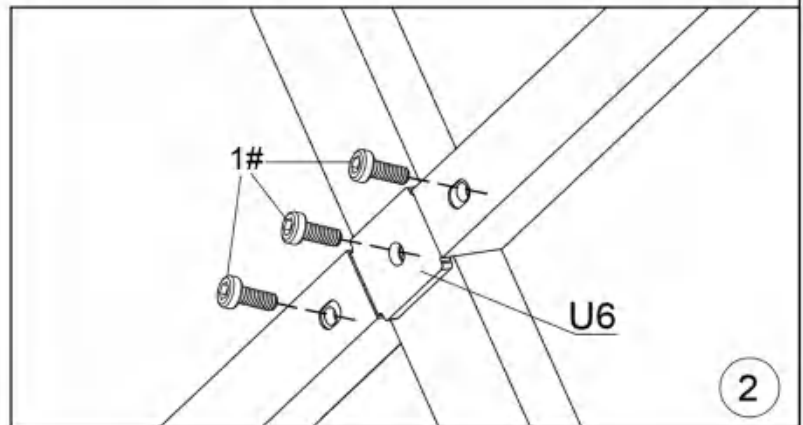
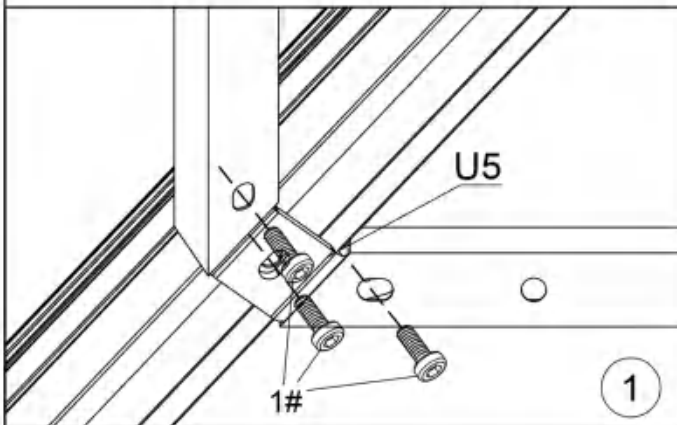
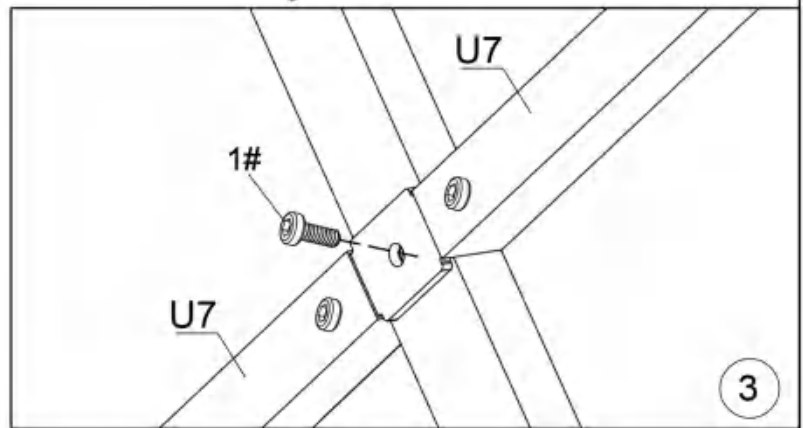


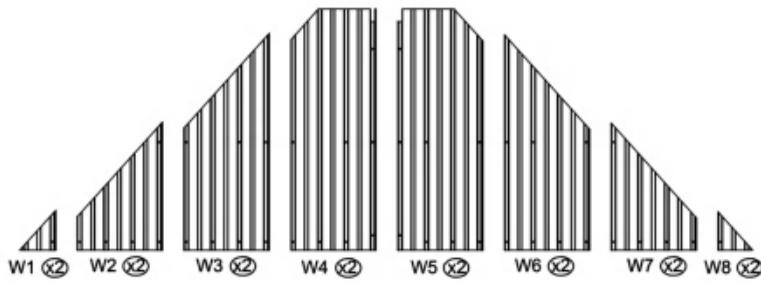
**Step13:**

Connect Part U1 and Part U2 to Part M and Part N.

As shown, Affix Part U3, U7 and U4 to Part N1, N2 and M.

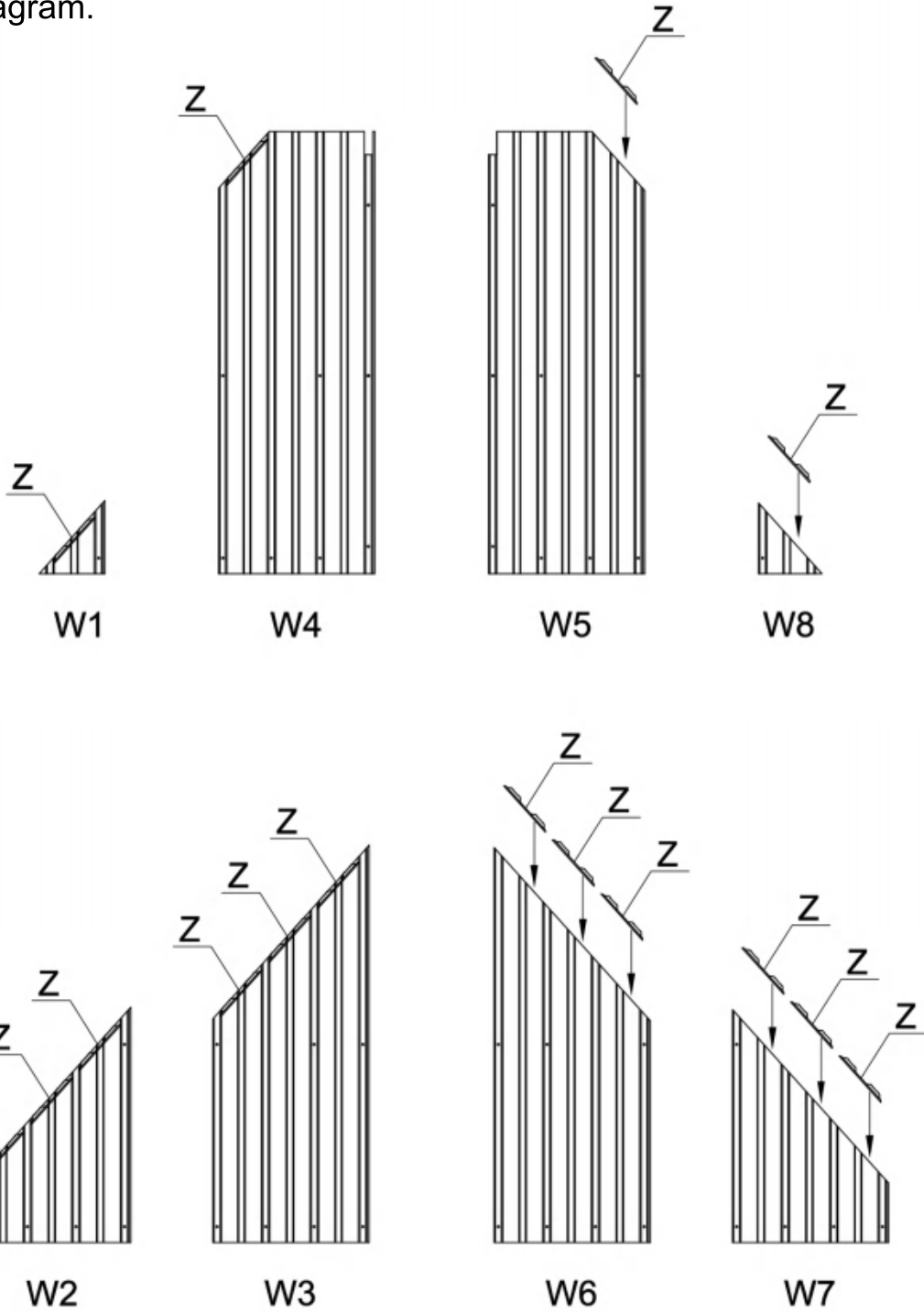
- ① use screws 1#.
- ② use screws 1#.
- ③ use screws 1#

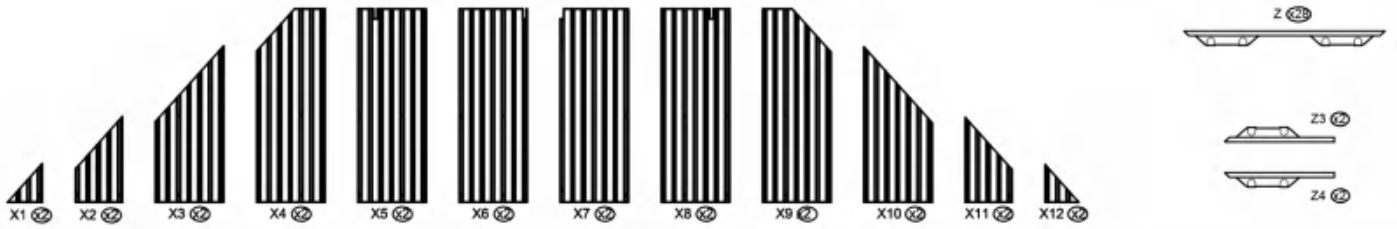




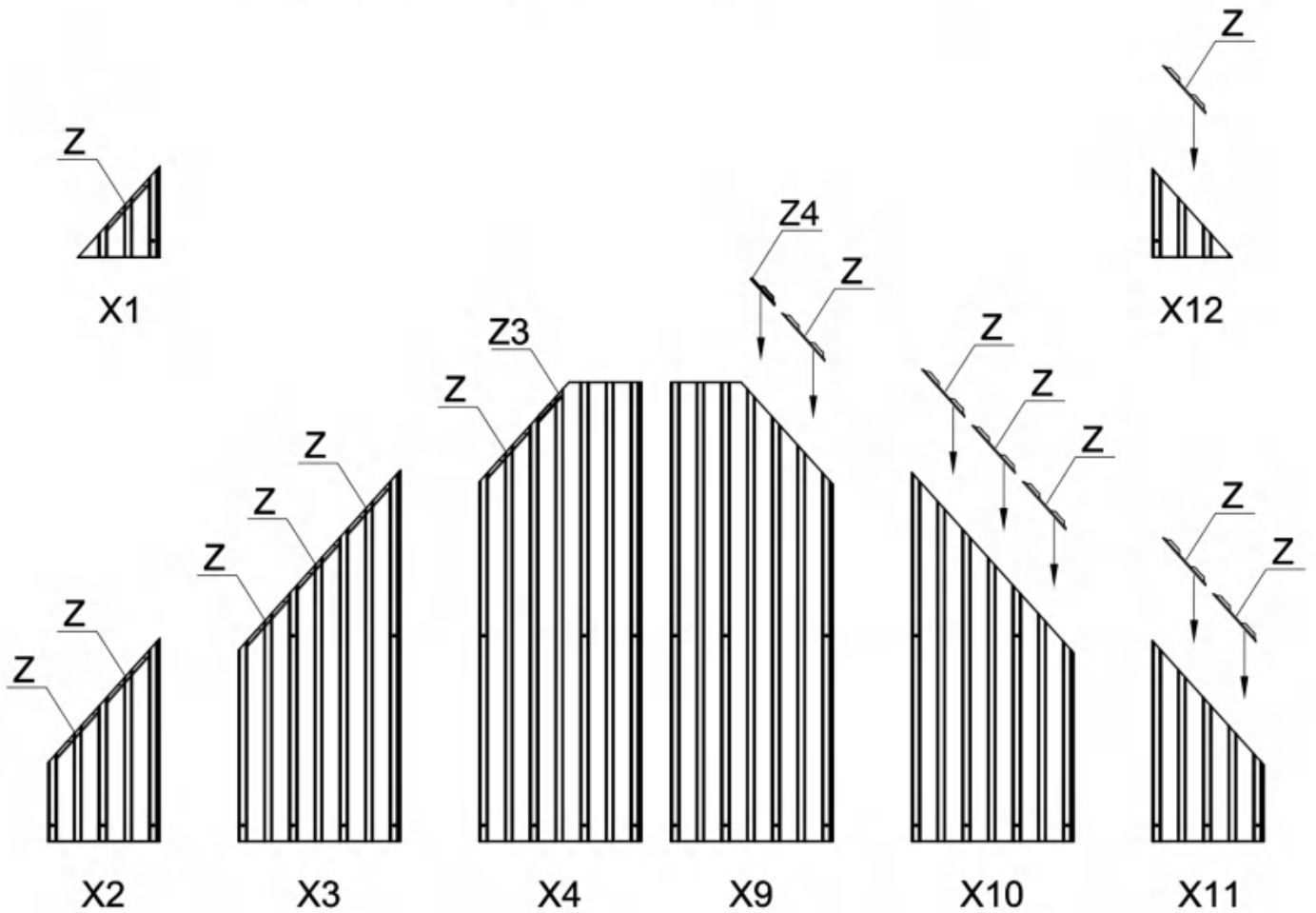
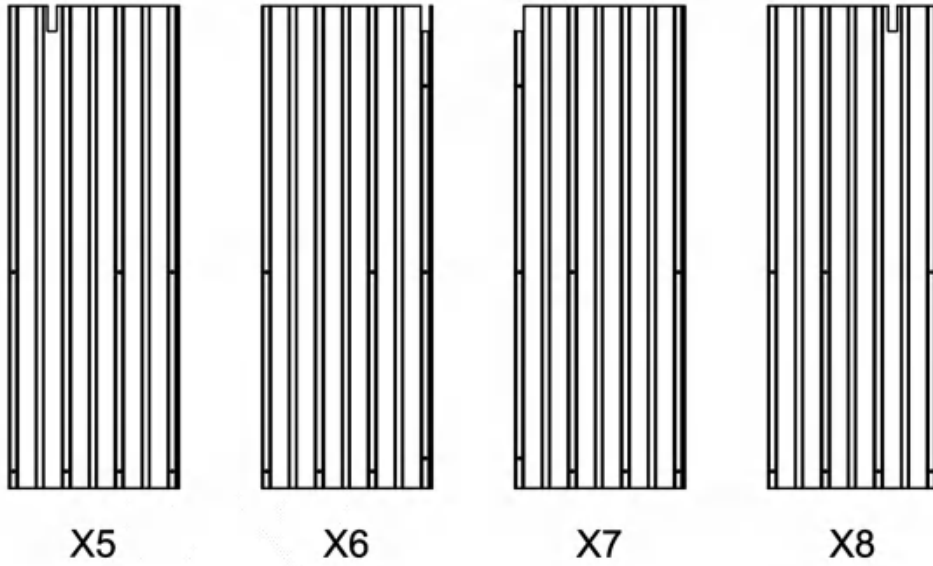
Step 14:

Cover Part Z to Part W1,W2,W3,W4,W5,W6,W7 and W8 as shown in the diagram.



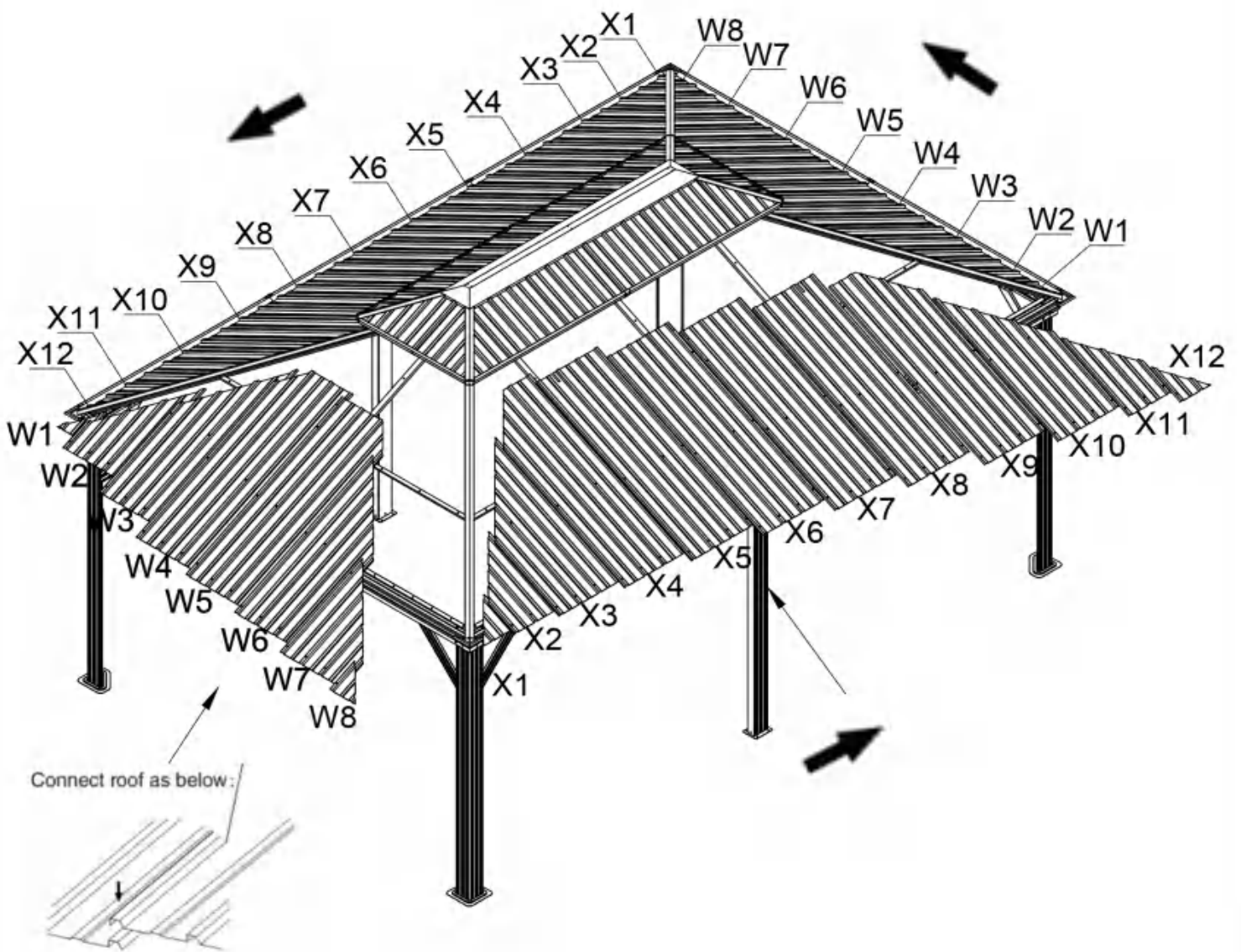


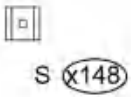
Cover Part Z to Part X1,X2,X3,X10,X11 and X12 as shown in the diagram.  
 Cover Part Z and Z3 to Part X4, Z and Z4 to Part X9 as shown in the diagram.



# Overall Roof Assembly:

Please put the panels on the frame anti-clockwisely.





5#  
x92



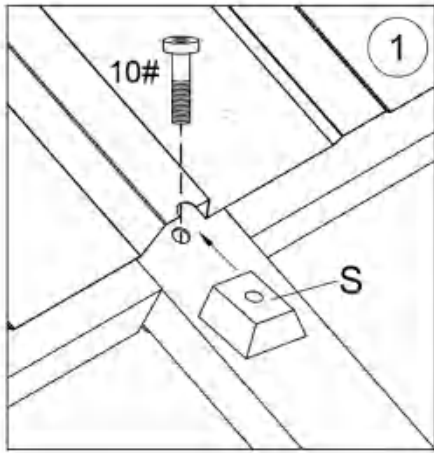
7#  
x44



6#  
x8



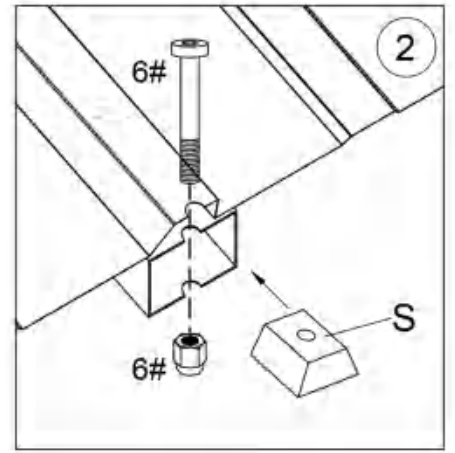
10#  
x4



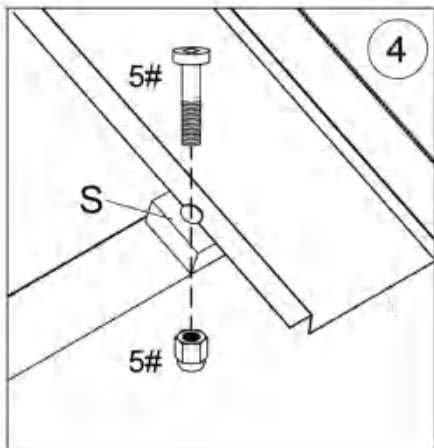
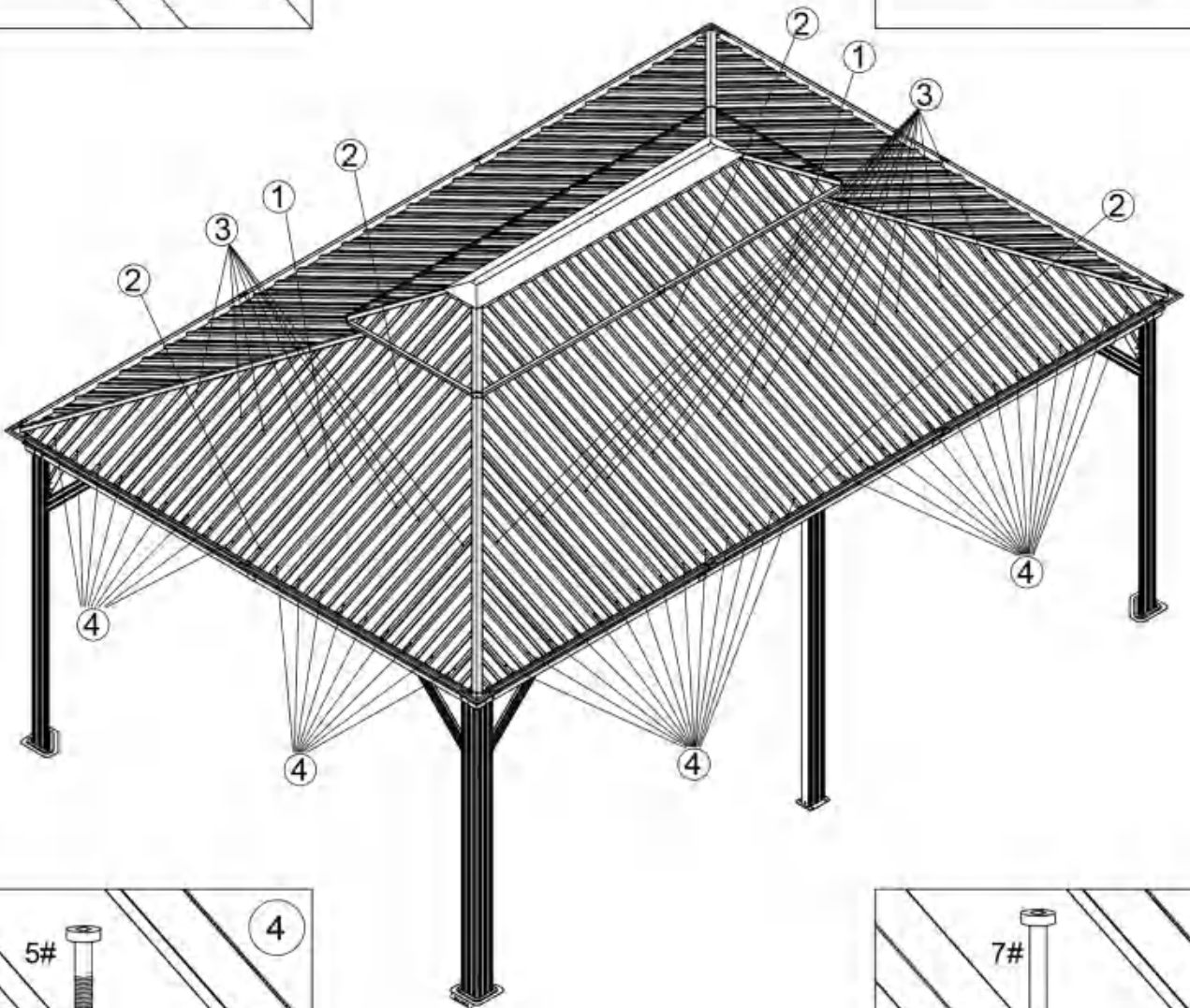
1

Step15:  
Affix the roof panels with screws and  
Part S.

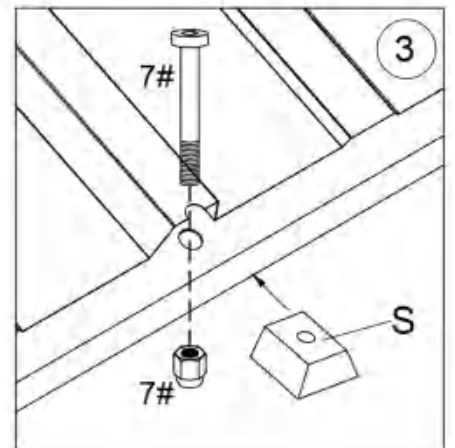
Note: Before installing the second roof  
panel,put on one roof panel and fasten  
it.



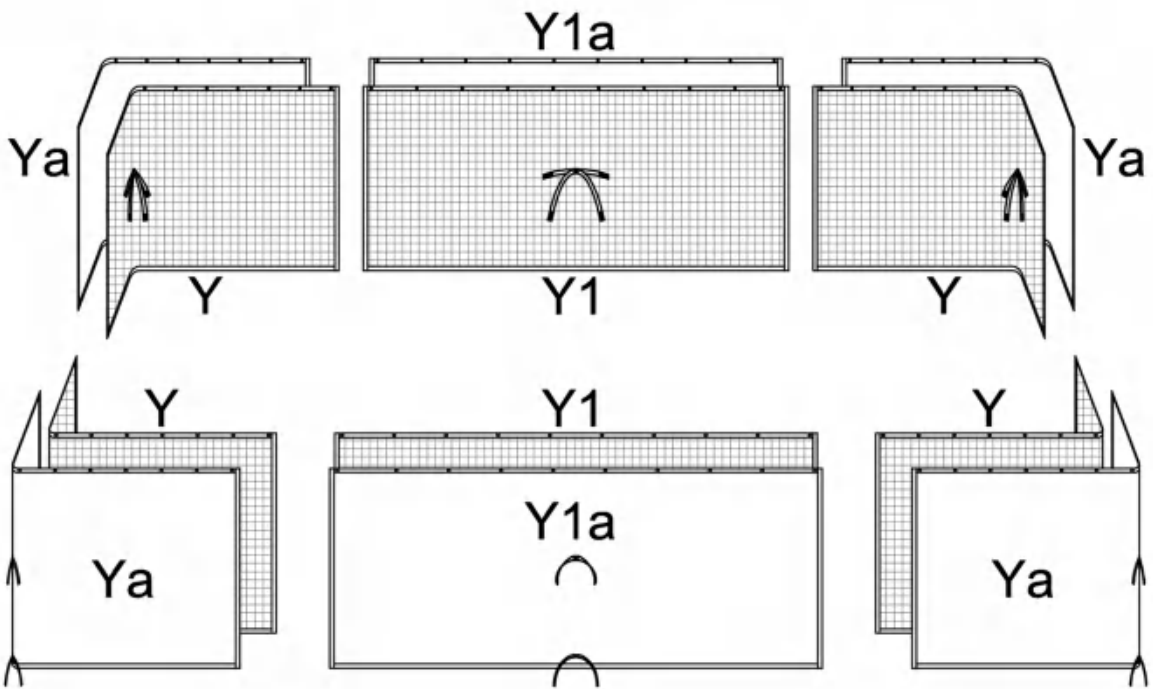
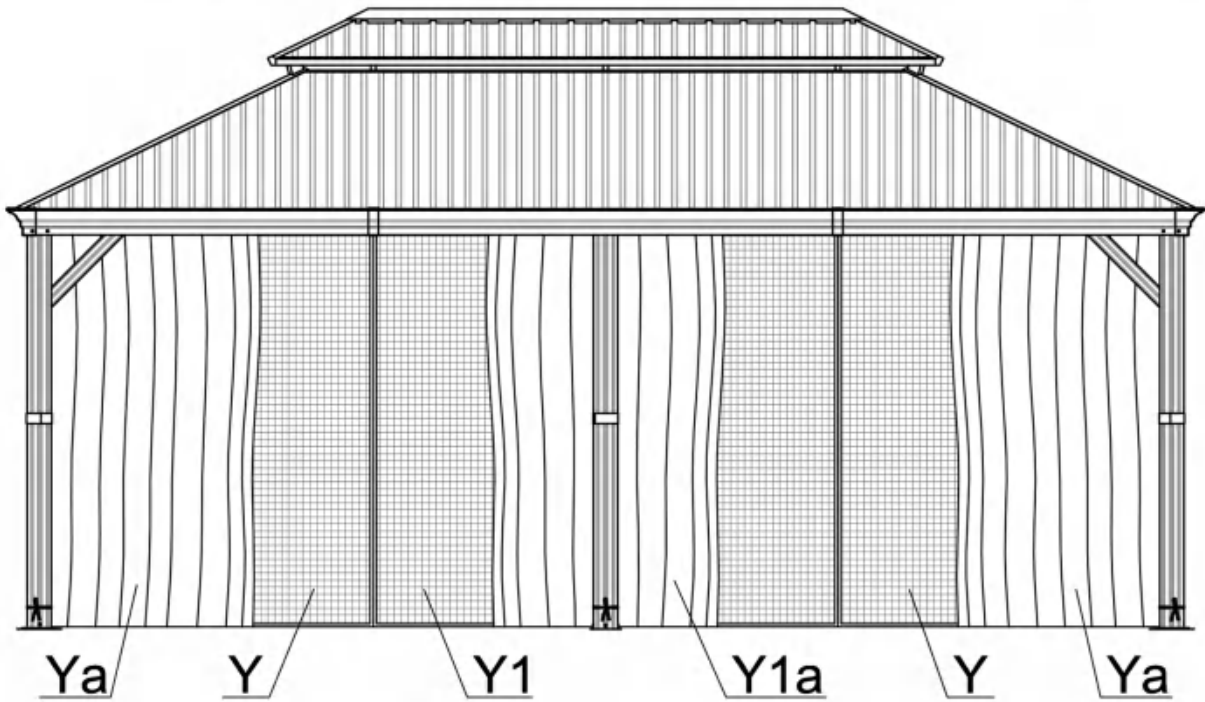
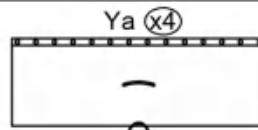
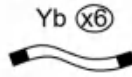
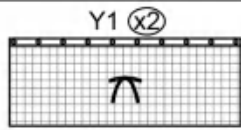
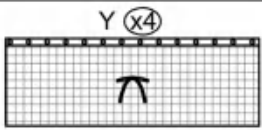
2



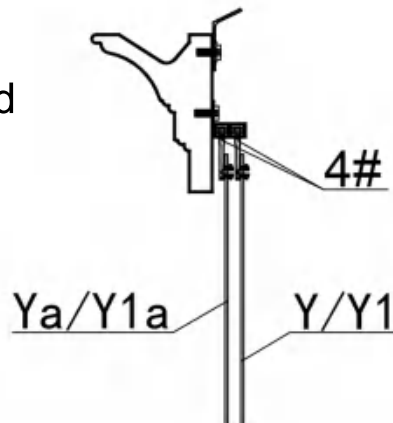
4

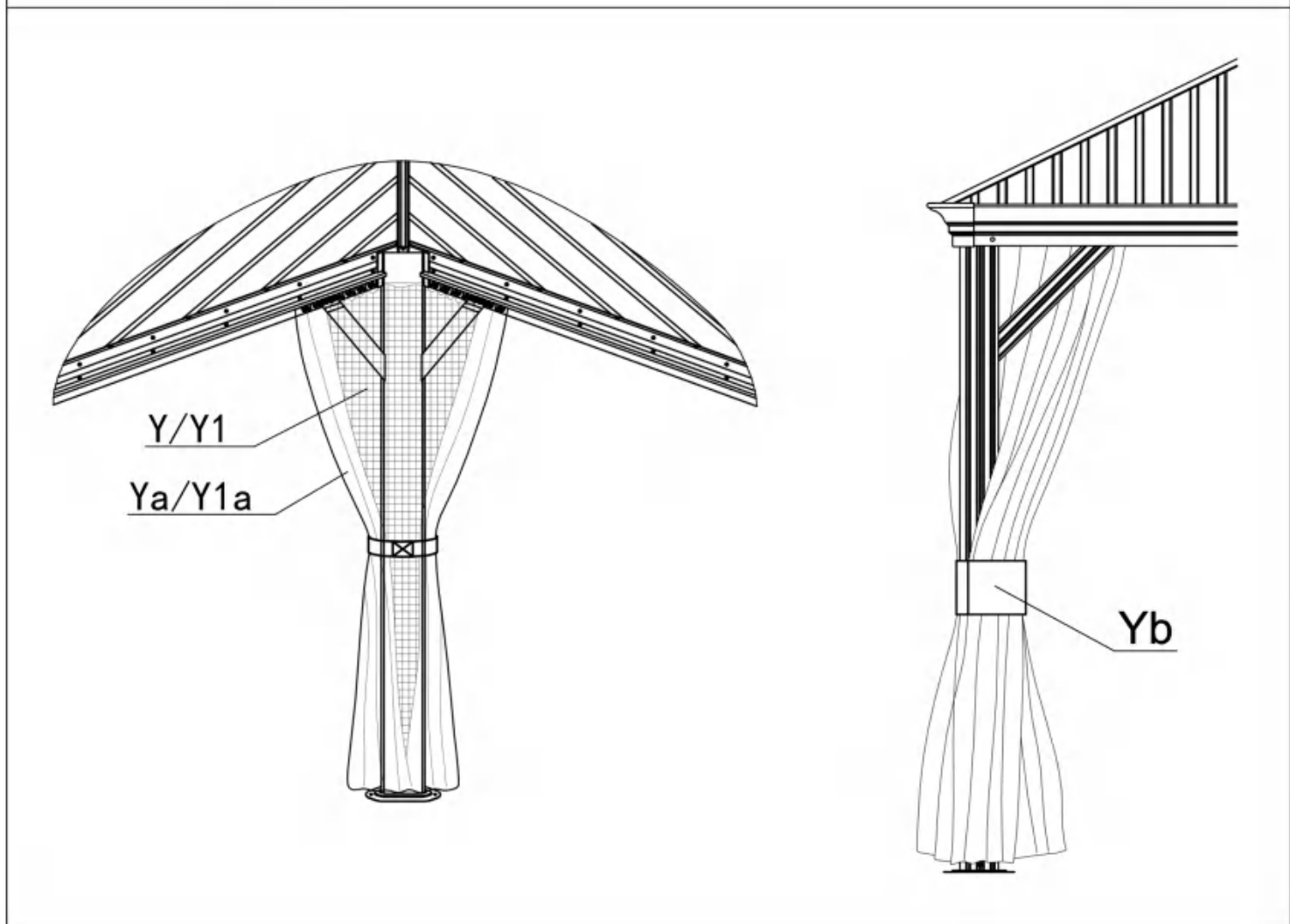
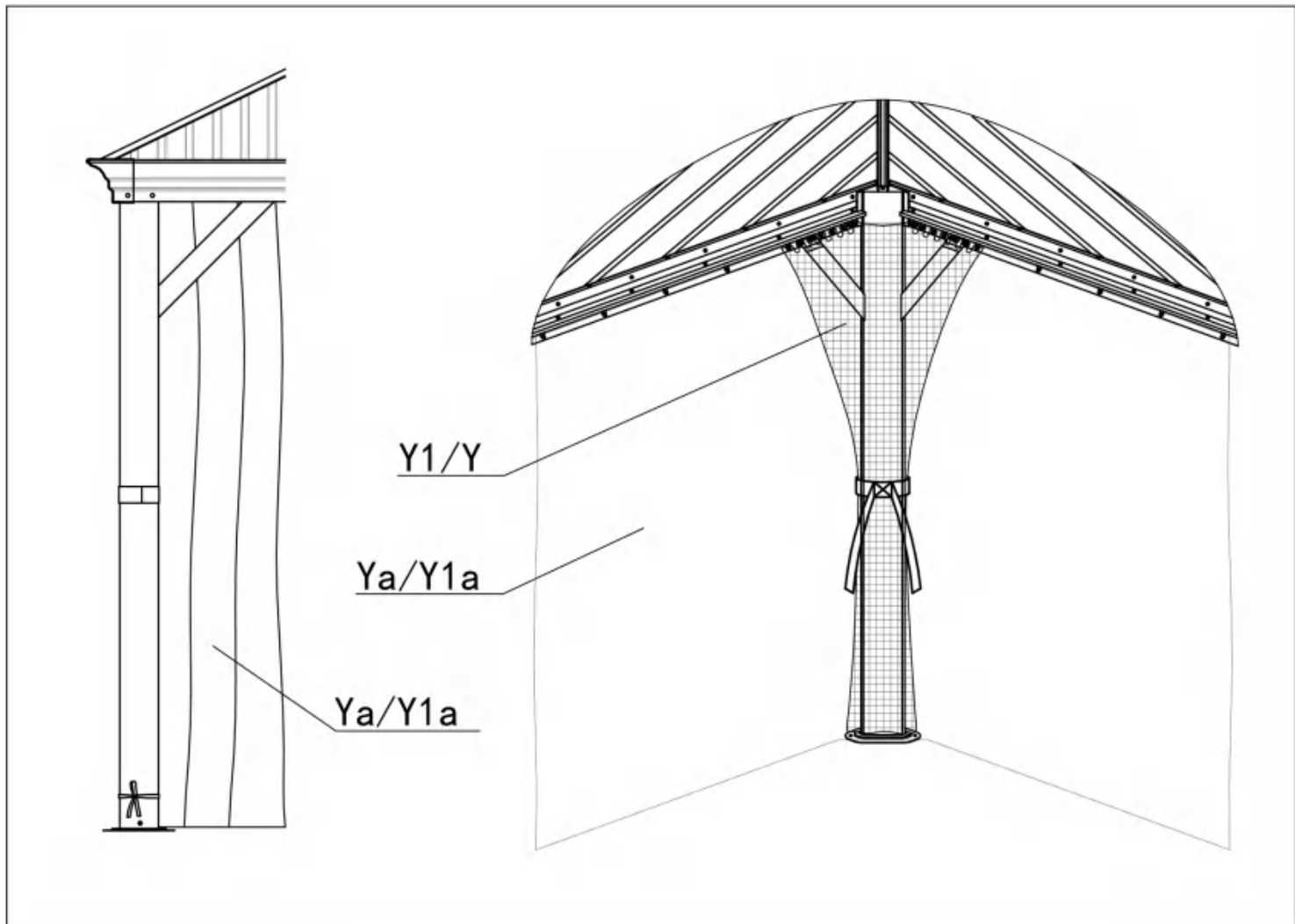


3



Step16:  
Hang up mosquito net and  
solid sidewalls.








RESORT COMFORT IN YOUR  
OWN BACKYARD

## **Thanks for your purchase.**

At domi outdoor living, we believe in our products.

That's why we provide a 12-month warranty and friendly, easy-to-reach after-sales service. So if you have any questions about our product and assembly, please feel free to contact us. We will be here for you.

**Support:**  

email: [domiservice01@outlook.com](mailto:domiservice01@outlook.com)

Please tell us your order ID when contact.

Attach photos of damaged part for instant reply.