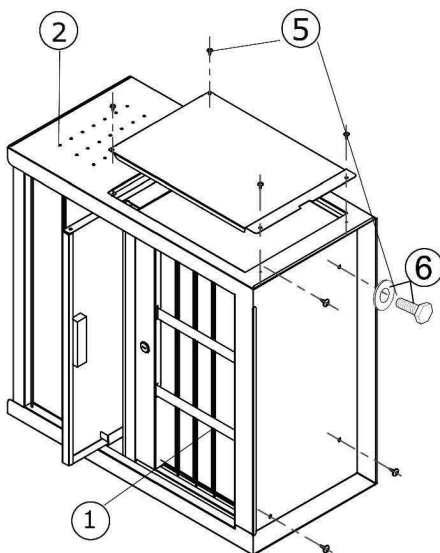
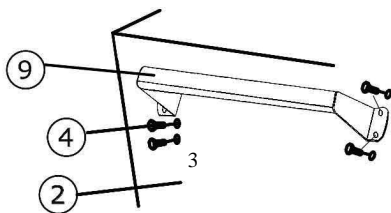
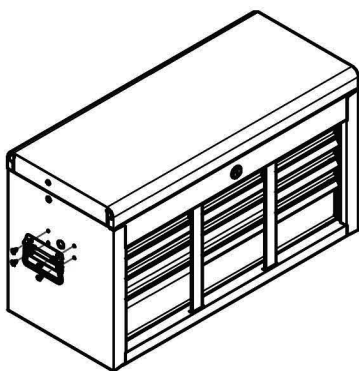


Remove Side Panel

Remove screws with a screwdriver.

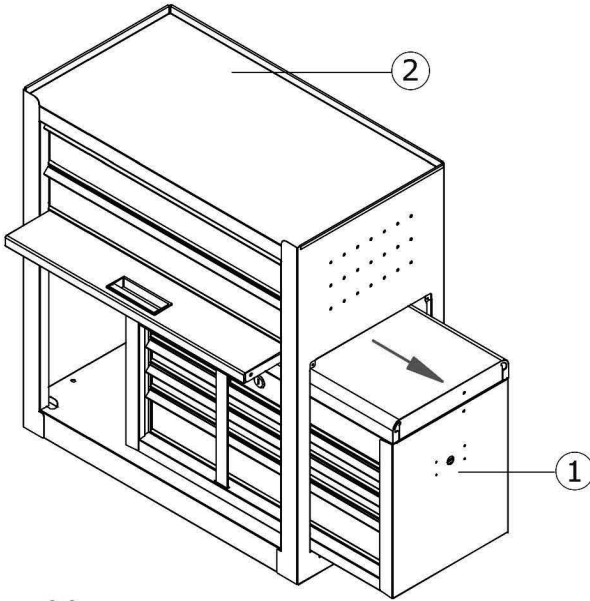


Handle Assembly



Remove Chest

Place cabinet on a level surface. Slowly remove chest from the cabinet.



Caster Assembly

Slightly spread apart split bearing on shaft if it fit loose.

Crimp split bearing slightly with pliers.

Make only slight adjustments until caster fits properly.

