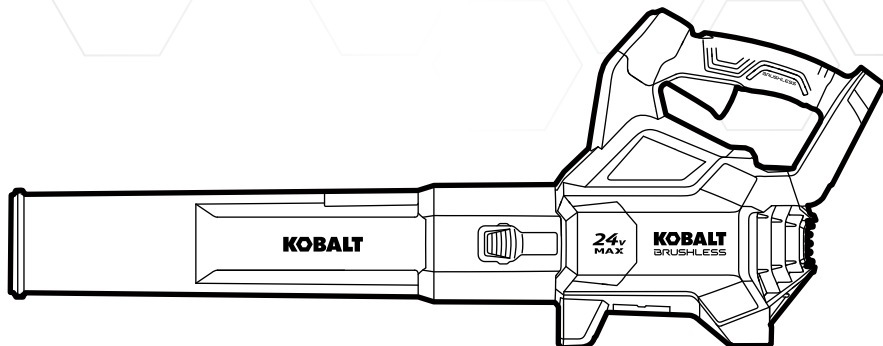


# KOBALT™



ITEM #2610307/2600601/3488481

## BRUSHLESS BLOWER

MODEL #KHB 2024B-03

**Español p. 13**

---

**⚠ WARNING** Read all safety warnings and instructions. Failure to follow the warnings and instructions may result in electric shock, fire and/or serious injury.

ATTACH YOUR RECEIPT HERE

Serial Number \_\_\_\_\_ Purchase Date \_\_\_\_\_



**Questions, problems, missing parts?** Before returning to your retailer, call our customer service department at 1-888-3KOBALT (1-888-356-2258), 8 a.m. - 8 p.m., EST, Monday - Sunday.

## TABLE OF CONTENTS

---

Product Specifications.....	2
Package Contents.....	3
Safety Information.....	4
Preparation.....	7
Operating Instructions.....	8
Care and Maintenance.....	10
Troubleshooting.....	11
Warranty.....	11

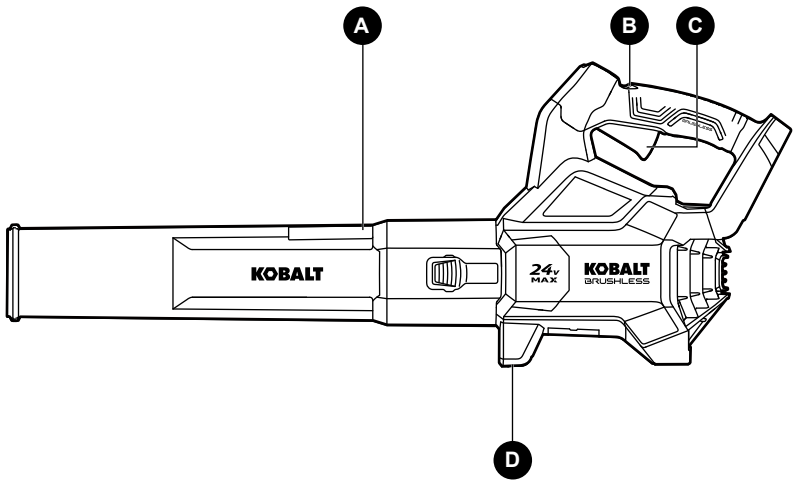
## PRODUCT SPECIFICATIONS

---

COMPONENT	SPECIFICATION
Rated power input	24V d.c.
Air Volume	500 CFM
Air speed	Max. 120 MPH
Operating/storage temperature	5°F (-15°C) ~ 104°F (40°C)
Charging temperature	41°F (5°C) ~ 104°F (40°C)

## PACKAGE CONTENTS

---



PART	DESCRIPTION
A	Blower tube
B	Turbo switch

PART	DESCRIPTION
C	Variable-speed trigger switch
D	Hook hole

### WARNING

- Remove the tool from the package and examine it carefully. Inspect the tool carefully to make sure no breakage or damage occurred during shipping. If any parts are damaged or missing, please return the product to the place of purchase. Do not discard the carton or any packaging material until all parts have been examined.
- If any part of the tool is missing or damaged, do not connect the plug to the power source or use the tool until the part has been repaired or replaced. Failure to heed this warning could result in serious injury.

## SAFETY INFORMATION

---

Please read and understand this entire manual before attempting to assemble or operate this product. If you have any questions regarding the product, please call customer service at 1-888-3KOBALT, 8 a.m. - 8 p.m., EST, Monday – Sunday.

### WARNING:

- The operation of any power tool can result in foreign objects being thrown into your eyes, which can result in severe eye damage. Before beginning power-tool operation, always wear safety goggles or safety glasses with side shields and a full-face shield, when needed. We recommend using a wide vision safety mask over eyeglasses or standard safety glasses with shields. Always use eye protection marked to comply with ANSI Z87.1.
- Some dust created by power sanding, sawing, grinding, drilling, and other construction activities contains chemicals known to the state of California to cause cancer, birth defects, or other reproductive harm. Some examples of these chemicals are:
  - Lead from lead-based paints
  - Crystalline silica from bricks, cement, and other masonry products
  - Arsenic and chromium from chemically-treated lumber
- Your risk from these exposures varies, depending upon how often you do this type of work. To reduce your exposure to these chemicals:
  - Work in a well-ventilated area.
  - Work with approved safety equipment, such as dust masks that are specially designed to filter out microscopic particles.
  - Avoid prolonged contact with dust from power sanding, sawing, grinding, drilling, and other construction activities. Wear protective clothing and wash exposed areas with soap and water. Allowing dust to get into your mouth or eyes or to lie on the skin may promote absorption of harmful chemicals.

### DANGER:

- People with electronic devices, such as pacemakers, should consult their physician(s) before using this product. Operation of electrical equipment in close proximity to a heart pacemaker could cause interference or failure of the pacemaker.

### Know the Tool

To operate this tool, carefully read this manual and all labels affixed to the tool before using it. Keep this manual available for future reference.




### Important

This tool should be serviced only by a qualified service technician.

## SAFETY INFORMATION


### Read All Instructions Thoroughly

Some of the following symbols may be used on this tool. Please study them and their meaning. Proper interpretation of these symbols will allow you to operate the tool better and more safely.

SYMBOL	DEFINITION	SYMBOL	DEFINITION
V	Volts	$n_0$	No-load Speed
	Direct Current	/min	Revolutions or Strokes per Minute
MPH	Mile per Hour	CFM	Cubic Feet per Minute
	A danger, warning or caution. It means 'Attention! Your safety is involved.'		To reduce the risk of injury, user must read instruction manual.

When using an electrical appliance, basic precautions should always be followed, including the following:

### READ ALL INSTRUCTIONS BEFORE USING THIS PRODUCT!

 **WARNING:** To reduce risk of fire, electric shock, or injury:

- **Know your power blower. Read the instruction manual carefully. Learn the blower's applications and limitations, as well as the specific potential hazards related to this blower.** Following this rule will reduce the risk of electric shock, fire, or serious injury.
- **Do not allow the blower to be used as a toy.** Close attention is necessary when used by or near children.
- **Use only as described in this manual. Use only manufacturer's recommended attachments.**
- **This tool is intended for household use only.**
- **Do not use a battery pack or appliance that is damaged or modified.** Damaged or modified batteries may exhibit unpredictable behavior resulting in fire, explosion or risk of injury.
- **Do not expose a battery pack or appliance to fire or excessive temperature.** Exposure to fire or temperature above 130°C may cause explosion.
- **Follow all charging instructions and do not charge the battery pack or appliance outside of the temperature range specified in the instructions.** Charging improperly or at temperatures outside of the specified range may damage the battery and increase the risk of fire.
- **Do not handle the charger, including charger plug, or charger terminals with wet hands.**
- **Do not put any object into any openings. Do not use with any opening blocked; keep openings free of dust, lint, hair, and anything that may reduce air flow.**
- **Keep hair, loose clothing, fingers, and all parts of body away from openings and moving parts.** Loose clothes, jewelry, or long hair can be drawn into air vents.
- **Use extra care when cleaning on stairs.**
- **Do not charge the battery pack outdoors.**
- **Use only the charger supplied by the manufacturer to recharge.**



## SAFETY INFORMATION

- **Do not incinerate the appliance even if it is severely damaged. The batteries can explode in a fire.**
- **Use the battery operated blower only with specifically designated battery pack.** Use of any other batteries may create a risk of fire.
- **Use only with battery packs and chargers listed below.**

BATTERY PACK	CHARGER
KB 124-03; KB 224-03; KB 424-03; KB 524-03; KB 624-03; KXB 424-03	KRC 2445-03; KRC 2490-03; KRC 2024-03; KDPC 124-03

- **Do not leave blower unattended when the battery is inserted.** Remove the battery when the blower is not in use and before servicing.
- **Avoid accidental starting. Be sure that the switch is in the locked or off position before inserting the battery pack.** Carrying blowers with your finger on the switch or inserting the battery pack into a blower with the switch on invites accidents.
- **Do not operate blowers in explosive atmospheres, such as in the presence of flammable liquids, gases, or dust.** Blowers create sparks which may ignite the dust or fumes.
- **Stay alert, watch what you are doing and use common sense when operating a power blower. Do not use the blower while tired, upset, or under the influence of drugs, alcohol, or medication.** A moment of inattention while operating blowers may result in serious personal injury.
- **Do not use on a ladder, rooftop, tree, or other unstable support. Stable footing on a solid surface enables better control of the blower in unexpected situations.**
- **Keep firm footing and balance. Do not overreach.** Overreaching can result in loss of balance.
- **Always take care of your feet, children, or pets around you when removing the battery pack from blower. NEVER remove the battery pack when in a high position.** Serious injury could result if the battery pack falls.
- **Do not use the blower if switch does not turn it on or off.** A blower that cannot be controlled with the switch is dangerous and must be repaired.
- **Removing the battery pack from the blower before making any adjustments, changing accessories, or storing the blower.** Such preventive safety measures reduce the risk of starting the blower accidentally.
- **Check for misalignment or binding of moving parts, breakage of parts, and any other condition that may affect the blower's operation. If damaged, have the blower serviced before using.** Many accidents are caused by poorly maintained blowers.
- **Keep the blower and its handle dry, clean and free from oil and grease. Always use a clean cloth when cleaning. Never use brake fluids, gasoline, petroleum-based products, or any strong solvents to clean your blower.** Following this rule will reduce the risk of loss of control and deterioration of the enclosure plastic.
- **Use safety equipment. Always wear eye protection with side shields marked to comply with ANSI Z87.1 along with hearing protection when operating this equipment. Everyday glasses have only impact resistant lenses. They are NOT safety glasses.** Following this rule will reduce the risk of eye injury.
- **Protect your lungs. Wear a face or dust mask if the operation is dusty.** Following this rule will reduce the risk of serious personal injury.
- **Protect your hearing. Wear hearing protection during extended periods of operation.** Following this rule will reduce the risk of serious personal injury.
- **Wear heavy long pants, long sleeves, boots, and gloves.** Avoid loose garments or jewelry that could get caught in moving parts of the machine or its motor.

## SAFETY INFORMATION

---

- **Do not operate the equipment while barefoot or when wearing sandals or similar lightweight footwear.** Wear protective footwear that will protect your feet and improve your footing on slippery surfaces.
- **Batteries can explode in the presence of a source of ignition, such as a pilot light. To reduce the risk of serious personal injury, never use any cordless product in the presence of open flame. An exploded battery can propel debris and chemicals.** If exposed, flush with water immediately.
- **Check the work area before each use.** Remove all objects such as rocks, broken glass, nails, wire, or string which can be thrown by or become entangled in the machine.
- **Do not point the blower tube in the direction of people or pets.**
- **Never run the unit without the proper equipment attached.** Always ensure that the blower tube is installed.
- **When not in use, the blower should be stored indoors in a dry, secure place out of the reach of children.**
- **Keep all bystanders, children, and pets at least 50 ft. away.**
- **When servicing a blower, use only identical replacement parts. Follow instructions in the Maintenance section of this manual.** Use of unauthorized parts or failure to follow Maintenance Instructions may create a risk of shock or injury.
- **Never use the blower near fires or hot ashes.** Use near fires or ashes can spread fires and result in serious injury and/or property damage.
- **Never use blower to spread chemicals, fertilizers, or any other toxic substances.** Spreading these substances could result in serious injury to the operator or bystanders.
- **Never place the blower on any surface, except a hard, clean surface when the engine is running.** Gravel, sand, and other debris can be picked up by the air inlet and thrown at the operator or bystanders, causing possible serious injuries.
- **Save these instructions.** Refer to them frequently and use them to instruct others who may use this tool. If you loan this tool to someone else, also loan these instructions to them to prevent misuse of the product and possible injury.

### SAVE THESE INSTRUCTIONS!

## PREPARATION

---

### Know Your Blower

This blower can be used for the purpose listed: Clearing hard surfaces such as driveways and walkways; keeping decks and driveways free from leaves and pine needles.

Before attempting to use the blower, familiarize yourself with all of its operating features and safety requirements.

### WARNING:

- Do not allow familiarity with the tool to cause carelessness. Remember that one careless moment is enough to cause severe injury. Before attempting to use any tool, be sure to become familiar with all of the operating features and safety instructions.
- Do not attempt to modify this tool or create accessories not recommended for use with this tool. Any such alteration or modification is misuse and could result in a hazardous condition leading to possible serious personal injury.

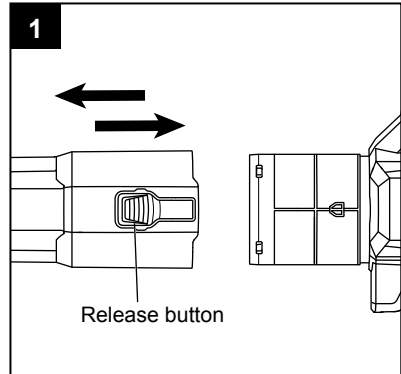
## OPERATING INSTRUCTIONS

### 1. Assembling the Blower Tube

This product requires assembly before using.

#### **⚠ WARNING:**

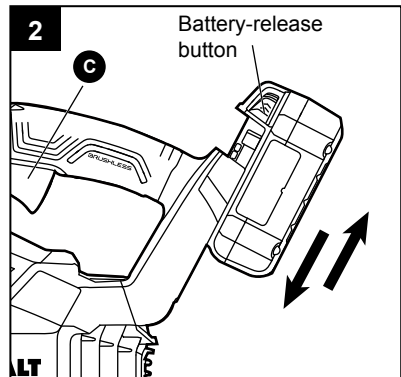
- To prevent accidental starting that could cause serious personal injury, always remove the battery pack from the tool when assembling parts.
- a. Align the release button in the blower tube (A) with the protrusion on the blower housing. Push the blower tube onto the blower housing until a click is heard to signal that the protrusion locked into place.
- b. To remove the blower tube, press the release button, and pull off the blower tube straight from the blower.



### 2. To Attach/Detach Battery Pack

#### To Attach Battery Pack

- a. Make sure that the variable-speed trigger switch (C) is in OFF position and the turbo switch (B) is in the OFF position.
- b. Align the raised portion on the battery pack with the grooves on the bottom of the tool, and then slide the battery pack onto the tool as shown.
- c. Ensure that the battery-release button on the battery pack snaps into place and the battery pack is secured to the tool before beginning operation.



**NOTICE:** When placing the battery pack on the tool, be sure that the raised rib on the battery pack aligns with the groove on the tool and the latches snap into place properly. Improper assembly of the battery pack can cause damage to internal components.

#### To Detach Battery Pack

- a. Make sure that the variable-speed trigger switch (C) is in OFF position and the turbo switch (B) is in the OFF position.
- b. Press the battery-release button to release the battery pack.
- c. Pull upward on the battery pack to remove it from the tool.

#### **⚠ WARNING:**

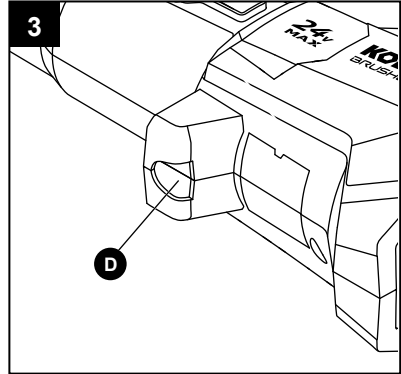
- Battery tools are always in operating condition. Therefore, the switches should always in OFF position when the tool is not in use or when carrying the tool at your side.



## OPERATING INSTRUCTIONS

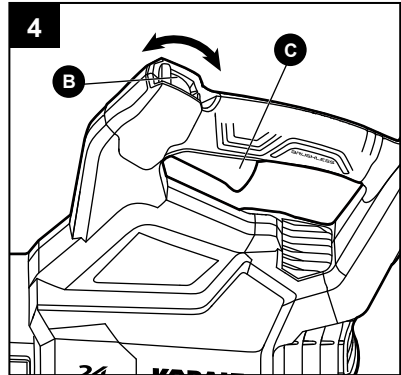
### 3. Hook hole

The blower is equipped with a hook hole (D). The blower can be hung on a hook with the hole.



### 4. To Start/Stop the Blower

The variable-speed trigger switch (C) can turn the blower ON/OFF and deliver variable speed. The blower is also equipped with a turbo switch (B) to turn the blower ON/OFF, lock the blower at a speed, and switch to turbo mode.



#### To Turn the Blower ON

- To turn the blower ON, depress the variable-speed trigger switch.
- The variable-speed trigger switch delivers higher speed with increased trigger pressure and lower speed with decreased trigger pressure.
- To lock the blower on a chosen speed, move the turbo switch toward the back of the tool. The blower can be locked on any of 3 speed settings.
- To turn on the turbo Mode speed, pull the turbo switch further back from 3rd speed setting. The blower speed will revert to the 3rd speed setting when the turbo switch is released.
- The turbo switch can also be pulled back to start the blower without first depressing the variable-speed trigger switch. The blower runs at progressively higher speeds as the turbo switch is moved further back.

#### To Turn the Blower OFF

- If the turbo switch is not engaged, release the variable-speed trigger switch to turn the blower off.
- If the turbo switch is engaged, move the turbo switch to original position to turn the blower off.

## OPERATING INSTRUCTIONS

---

### 5. Operating the Blower

#### **WARNING:**

- Always wear eye protection with side shields marked to comply with ANSI Z87.1, along with hearing protection. Failure to do so could result in objects being thrown into your eyes and other possible serious injuries.
- Do not use any attachments or accessories not recommended by the manufacturer of this product. The use of attachments or accessories that are not recommended in this manual can result in serious personal injury.


Before each use, inspect the entire product for damaged, missing, or loose parts, such as screws, nuts, bolts, caps, etc. Tighten securely all fasteners and caps and do not operate this product until all missing or damaged parts are replaced.

- To keep from scattering debris, blow around the outer edges of a debris pile. Never blow directly into the center of a pile.
- To reduce sound levels, limit the number of pieces of equipment used at any one time.
- Use rakes and brooms to loosen debris before blowing. In dusty conditions, slightly dampen surfaces if water is available.
- Watch out for children, pets, open windows, or freshly washed cars, and blow debris safely away.
- After using blowers or other equipment, clean up! Dispose of debris properly.

## CARE AND MAINTENANCE

---

 All maintenance should only be carried out by a qualified service technician.

 Before cleaning or performing any maintenance, remove battery from the tool. For safe and proper operation, always keep the tool and its ventilation slots clean.

### Cleaning

Always use only a soft, dry cloth to clean your blower; never use detergent or alcohol.

### Storage

Clean all foreign material from the air inlets of the blower.

Store indoors in a place that is inaccessible to children. Keep away from corrosive agents, such as garden chemicals and de-icing salts.

## TROUBLESHOOTING

---

### WARNING:

- Turn the switch to the "OFF" position and remove battery from the tool before performing troubleshooting procedures.

PROBLEM	POSSIBLE CAUSE	CORRECTIVE ACTION
Tool does not work.	1. Low battery capacity.	1. Charge the battery pack.
	2. The battery pack or blower is too hot.	2. Cool the battery pack and blower until the temperature drops.
The air velocity decreases	The air inlet is blocked by debris.	Remove the battery pack, clear the debris.

## WARRANTY

---

For 5 years from the date of purchase, the power tool is warranted for the original purchaser to be free from defects in material and workmanship. This guarantee does not cover damage due to abuse, normal wear, improper maintenance, neglect, unauthorized repair/alteration, or expendable parts and accessories expected to become unusable after a reasonable period of use.

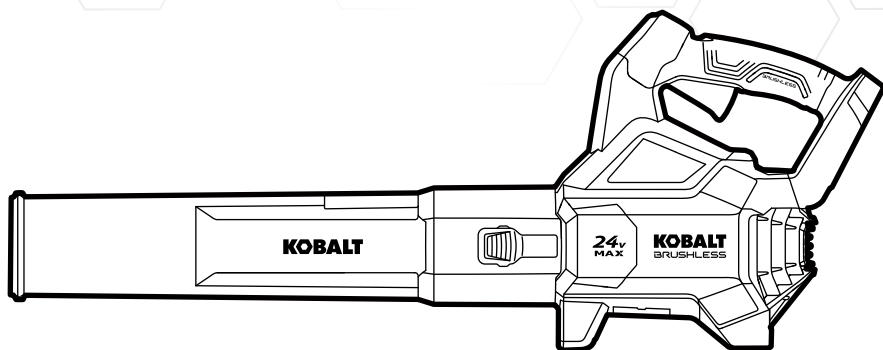
If you think your product meets the above guarantee criteria, please return it to the place of purchase with valid proof of purchase and the defective product will be repaired or replaced at no charge. This guarantee gives you specific legal rights, and you may also have other rights that vary from state to state.

LOWE'S HOME CENTERS LLC MOORESVILLE, NC 28117

Printed in Vietnam



# KOBALT™



ARTÍCULO #2610307/2600601/3488481

## SOPLADOR SIN CEPILLO

MODELO #KHB 2024B-03

**⚠ ADVERTENCIA** Lea todas las advertencias de seguridad y todas las instrucciones. El incumplimiento de las advertencias y las instrucciones podría provocar descargas eléctricas, incendios o lesiones graves.

ADJUNTE SU RECIBO AQUÍ

Número de serie \_\_\_\_\_ Fecha de compra \_\_\_\_\_



**¿Preguntas, problemas, piezas faltantes?** Antes de volver a la tienda, llame a nuestro departamento de servicio al cliente al 1-888-3KOBALT (1-888-356-2258), de lunes a domingo de 8 a. m. a 8 p. m., hora estándar del Este.

## ÍNDICE

---

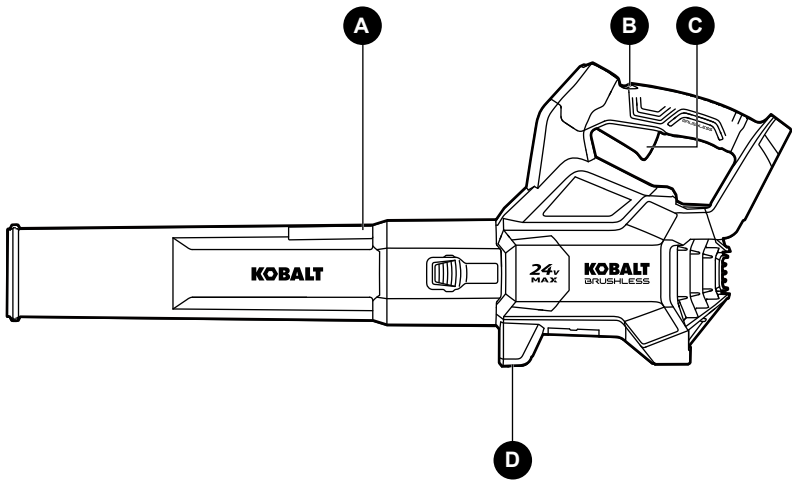
Especificaciones del producto.....	14
Contenido del paquete.....	15
Información de seguridad.....	16
Preparación.....	20
Instrucciones de funcionamiento.....	21
Cuidado y mantenimiento.....	23
Solución de problemas.....	24
Garantía.....	24

## ESPECIFICACIONES DEL PRODUCTO

---

COMPONENTE	ESPECIFICACIONES
Tensión nominal	24 VCC
Volumen de aire	500 CFM
Velocidad de aire (Máx.)	120 MPH
Temperatura de funcionamiento y almacenamiento	De -15°C (5°F) a 40°C (104°F)
Temperatura de carga	De 5° C (41 °F) a 40 °C (104 °F)

## CONTENIDO DEL PAQUETE



PIEZA	DESCRIPCIÓN
A	Tubo del soplador
B	Interruptor turbo

PIEZA	DESCRIPCIÓN
C	Interruptor del gatillo de velocidad variable
D	Orificio para gancho

### **⚠ ADVERTENCIA**

- Saque la herramienta del paquete y examínela con cuidado. Inspeccione la herramienta con cuidado para asegurarse de que no se produjo ninguna ruptura ni ningún daño durante el envío. Si hay piezas dañadas o faltantes, devuelva el producto al lugar donde lo compró. No deseche la caja ni ningún material de embalaje hasta haber examinado todas las piezas.
- Si falta alguna pieza o si alguna pieza está dañada, no fije el paquete de baterías ni use la herramienta hasta reparar o reemplazar la pieza. No seguir esta advertencia podría provocar lesiones graves.

## INFORMACIÓN DE SEGURIDAD

---

Lea y comprenda completamente este manual antes de comenzar a ensamblar u operar este producto. Si tiene preguntas relacionadas con el producto, llame al Departamento de Servicio al Cliente al 1-888-3KOBALT, de lunes a domingo de 8 a. m. a 8 p. m., hora estándar del Este.

### ADVERTENCIA

- La funcionamiento de cualquier herramienta eléctrica puede arrojar objetos extraños a sus ojos y, de esa manera, causar graves daños oculares. Use siempre lentes o gafas de seguridad con laterales y, cuando sea necesario, una mascarilla que cubra todo el rostro antes de comenzar a operar una herramienta eléctrica. Recomendamos usar una máscara de seguridad de visión amplia sobre los lentes o las gafas de seguridad estándar con protección. Siempre use lentes de protección que cumplan con la norma Z87.1 de la ANSI.
- Parte del polvo causado por el lijado eléctrico, el serruchado, la trituración, la perforación y otras actividades de construcción contiene sustancias químicas que, según el estado de California, causan cáncer, defectos congénitos u otros daños reproductivos. Algunos ejemplos de estas sustancias químicas son los siguientes:
  - Plomo de pinturas a base de plomo
  - Sílice cristalina de ladrillos, cemento y otros productos de mampostería
  - Arsénico y cromo de madera tratada con productos químicos
- El riesgo que corre debido a la exposición a estas sustancias químicas varía según la frecuencia con que realiza este tipo de trabajo. Para disminuir su exposición a estas sustancias químicas:
  - Trabaje en un área bien ventilada.
  - Trabaje con equipo de seguridad aprobado, como mascarillas antipolvo especialmente diseñadas para filtrar partículas microscópicas.
  - Evite el contacto prolongado con el polvo producido por el uso de lijas, sierras, trituradoras y taladros eléctricos, y otras actividades de construcción. Use ropa protectora y lave todas las áreas expuestas del cuerpo con agua y jabón. Si permite que el polvo llegue a la boca o a los ojos, o que se asiente sobre la piel, puede propiciar la absorción de sustancias químicas nocivas.

### PELIGRO

- Las personas con dispositivos electrónicos, como marcapasos, deben consultar a su médico antes de usar este producto. El funcionamiento del equipo eléctrico en proximidad de un marcapasos cardíaco puede causar interferencias o hacer que el marcapasos falle.

### **Conozca la herramienta**

Para operar esta herramienta, lea cuidadosamente este manual y todas las etiquetas presentes en la herramienta antes de usarla. Guarde este manual para referencia futura.

### **Importante**

Solo un técnico calificado puede reparar esta herramienta.

### **Lea todas las instrucciones por completo.**

Algunos de los siguientes símbolos pueden emplearse en esta herramienta. Obsérvelos y aprenda su significado. La interpretación correcta de estos símbolos le permitirá utilizar la herramienta de manera eficaz y segura.



## INFORMACIÓN DE SEGURIDAD

SÍMBOLO	DEFINICIÓN	SÍMBOLO	DEFINICIÓN
V	Voltios	$n_0$	Velocidad sin carga
	Corriente continua	/min	Revoluciones o pasadas por minuto
MPH	Millas por hora	Pies3/minuto	Metros cúbicos por minuto
	Peligro, advertencia o precaución. Significa "¡Atención! Su seguridad está comprometida".		ADVERTENCIA: para reducir el riesgo de lesiones, el usuario debe leer el manual de instrucciones.

Al usar productos eléctricos, siempre deben respetarse las siguientes medidas básicas de precaución:

**¡LEA TODAS LAS INSTRUCCIONES ANTES DE USAR EL PRODUCTO!**

### ADVERTENCIA

- Para reducir el riesgo de incendio, descarga eléctrica o lesiones:
- **Conozca el soplador eléctrico. Lea con atención el manual de instrucciones. Conozca las aplicaciones y las limitaciones del soplador, así como también los posibles peligros específicos relacionados con el soplador.** Al seguir esta regla se reducirá el riesgo de descargas eléctricas, incendios o de sufrir lesiones graves.
- **Esta herramienta está destinada solo para uso doméstico.**
- **No permita que el soplador se use como un juguete.** Es necesaria una estricta supervisión cuando los niños usen este producto eléctrico o estén cerca de este.
- **Use este soplador únicamente como se describe en este manual. Use solo los accesorios recomendados por el fabricante.**
- **No manipule el cargador, el enchufe ni los terminales del cargador con las manos húmedas.**
- **No coloque ningún objeto en las aberturas. No use la herramienta si hay aberturas bloqueadas. Mantenga las aberturas libres de polvo, pelusas, cabellos o cualquier objeto que pueda reducir el flujo de aire.**
- **Mantenga el cabello, las ropas holgadas, los dedos y todas las partes del cuerpo lejos de las aberturas y piezas giratorias.** La ropa holgada, las joyas o el cabello largo pueden atascarse en los conductos de ventilación.
- **Tenga sumo cuidado cuando limpie sobre escaleras.**
- **No cargue el paquete de baterías en exteriores.**
- **Use únicamente el cargador suministrado por el fabricante para la recarga.**
- **No incinere el producto eléctrico, incluso si está muy dañado. Si se incinera, las baterías pueden explotar.**
- **Evite los arranques accidentales. Asegúrese de que el interruptor esté en la posición de apagado antes de conectar el paquete de baterías o antes de levantar o transportar el electrodoméstico.** Transportar el electrodoméstico con el dedo en el interruptor o enchufar electrodomésticos que tienen el interruptor encendido aumenta las posibilidades de accidentes.

## INFORMACIÓN DE SEGURIDAD

- **Desconecte el paquete de baterías del electrodoméstico antes de realizarle cualquier ajuste, cambiar accesorios o almacenarlo.** Este tipo de medidas de seguridad preventivas reduce el riesgo de arranques accidentales del electrodoméstico.
- **Use el soplador a baterías solo con el paquete de baterías específicamente designado.** El uso de cualquier otra batería puede aumentar el riesgo de incendio.
- **Use el soplador a batería solo con un paquete de baterías designado específicamente.** El uso de cualquier otra batería puede crear un riesgo de incendio.
- **Solo debe usar los paquetes de baterías y los cargadores que se indican a continuación.**

PAQUETE DE BATERÍAS	CARGADOR
KB 124-03; KB 224-03; KB 424-03; KB 524-03; KB 624-03; KB 924-03	KRC 2445-03; KRC 2490-03; KRC 2024-03; KDPC 124-03

- **No utilice un paquete de baterías ni el electrodoméstico si están dañados o modificados.** Las baterías dañadas o modificadas pueden mostrar una conducta impredecible que podría provocar incendios, explosiones o riesgo de lesiones.
- **No exponga el paquete de baterías ni el electrodoméstico al fuego o a una temperatura excesiva.** La exposición al fuego o a temperaturas por encima de los 130 °C podría causar una explosión.
- **Siga todas las instrucciones de carga y no cargue el paquete de baterías ni el electrodoméstico fuera del rango de temperatura especificado en las instrucciones.** La carga inadecuada o a temperaturas fuera del rango especificado podría dañar la batería y aumentar el riesgo de incendio.
- **No use los sopladores en entornos en los que exista riesgo de explosión, como por ejemplo en presencia de líquidos inflamables, gases o polvo.** Los sopladores producen chispas que podrían encender el polvo o los gases.
- **Manténgase alerta, preste atención a lo que hace y use el sentido común al manipular un soplador eléctrico.** No use el soplador si está cansado, alterado o bajo los efectos del alcohol, de medicamentos o de drogas. Un momento de descuido durante la operación de los sopladores puede provocar lesiones personales graves.
- **No use el soplador si está parado sobre una escalera, un techo, un árbol u otra superficie inestable.** Un apoyo de pies estable sobre una superficie firme permite un mejor control del soplador en situaciones inesperadas.
- **Mantenga un apoyo de pies y un equilibrio adecuados. No se extienda demasiado.** Hacerlo puede causar pérdida de equilibrio.
- **Cuando retire el paquete de la batería del soplador, siempre asegúrese de fijarse la ubicación de los pies, de los niños o de las mascotas que se encuentran cerca. NUNCA retire el paquete de baterías cuando esté en cualquier otro lugar que no sea el suelo.** Si el paquete de baterías se cae, podría provocar lesiones graves.
- **No use el soplador, si el interruptor no lo enciende o lo apaga.** Un soplador que no se puede controlar con el interruptor es peligroso y debe repararse.
- **Compruebe que no haya piezas mal alineadas o trabadas, piezas rotas ni cualquier otra condición que pueda afectar el funcionamiento del soplador. Si se daña, haga reparar el soplador antes de usarlo.** Muchos accidentes son producto del mal mantenimiento de los sopladores.
- **Mantenga el soplador y el mango seco, limpio y sin aceite ni grasa. Siempre utilice un paño limpio para limpiar el soplador. Nunca use líquidos para frenos, gasolina, productos a base de petróleo ni cualquier solvente fuerte para limpiar el soplador.** Al seguir esta regla se reducirá el riesgo de pérdida de control y deterioro de la carcasa de plástico.



## INFORMACIÓN DE SEGURIDAD

---

- **Use equipos de seguridad. Siempre use lentes de protección con laterales que cumplan con la norma Z87.1 de la ANSI y protección para los oídos durante el funcionamiento del equipo. Los anteojos comunes solo poseen lentes con resistencia al impacto. NO son gafas de seguridad.** Seguir esta regla puede reducir el riesgo de sufrir lesiones oculares.
- **Proteja sus pulmones. Utilice una mascarilla facial o antipolvo si hay demasiado polvo durante la operación.** Seguir esta regla puede reducir el riesgo de sufrir lesiones personales graves.
- **Proteja su audición. Durante períodos prolongados de operación, use protección para los oídos.** Seguir esta regla puede reducir el riesgo de sufrir lesiones personales graves.
- **Use pantalones largos y gruesos, mangas largas, botas y guantes.** Evite usar ropa holgada o joyas, ya que estas podrían quedar atrapadas en las piezas giratorias de la máquina o en el motor.
- **No use el equipo a pies descalzos o si lleva sandalias u otro tipo de zapato ligero similar.** Use calzado de seguridad para proteger los pies y mejorar el equilibrio en superficies resbaladizas.
- **Las baterías pueden explotar en la presencia de una fuente de ignición, como la luz del piloto.** Para reducir el riesgo de lesiones personales graves, nunca utilice un producto inalámbrico en la presencia de una llama directa. La explosión de una batería puede lanzar desechos y productos químicos. Si se expone, enjuague inmediatamente con agua.
- **Inspeccione el área de trabajo antes de cada uso.** Retire todos los objetos, tales como rocas, vidrios rotos, clavos, alambres o cuerdas, que la máquina pueda arrojar o que puedan enredarse en la máquina.
- **No apunte el tubo del soplador en dirección a las personas o a las mascotas.**
- **Nunca encienda la unidad sin el equipo apropiado colocado.** Asegúrese siempre de que el tubo del soplador esté colocado.
- **Cuando no use el soplador, debe almacenarlo en interiores, en un lugar seco y seguro, fuera del alcance de los niños.**
- **Mantenga a los transeúntes, los niños y las mascotas al menos a 15,24 m de distancia.**
- **Nunca use el soplador cerca de focos de fuego ni de cenizas calientes.** El uso del soplador cerca de focos de fuego o de cenizas puede provocar incendios y causar lesiones graves o daños a la propiedad.
- **Nunca use el soplador para esparcir sustancias químicas, fertilizantes o cualquier otra sustancia tóxica.** Esparcir estas sustancias puede causar lesiones graves al operador o a otras personas que se encuentren cerca.
- **Nunca coloque el soplador sobre ninguna superficie mientras esté en funcionamiento, a menos que sea una superficie resistente y limpia.** La entrada de aire puede absorber y arrojar gravilla, arena y otros tipos de desechos hacia el operador o hacia las personas que se encuentren cerca, lo cual puede causar lesiones graves.
- **Guarde estas instrucciones.** Consúltelas periódicamente y utilícelas para instruir a cualquier persona que use esta herramienta. Si presta la herramienta a alguien más, préstele también estas instrucciones para prevenir el mal uso del producto y posibles lesiones.

**GUARDE ESTAS INSTRUCCIONES.**

## PREPARACIÓN

---

### Conozca el soplador

Este soplador puede usarse para los fines que se indican a continuación: limpiar superficies duras, tales como entradas de garaje y senderos. Mantener terrazas y entradas de garaje libres de hojas y agujas de pino.

Antes de usar el soplador, debe familiarizarse con todas las características de funcionamiento y con los requisitos de seguridad.

### ADVERTENCIA

- Sea cuidadoso, incluso si está familiarizado con la herramienta. Recuerde que un momento de descuido es suficiente para causar lesiones graves. Antes de usar cualquier herramienta, asegúrese de familiarizarse con todas las características de funcionamiento y con los requisitos de seguridad.
- No modifique esta herramienta ni cree accesorios que no sean los recomendados para esta herramienta. Cualquier alteración o modificación es considerada un mal uso y podría causar una condición peligrosa que puede producir lesiones personales graves.

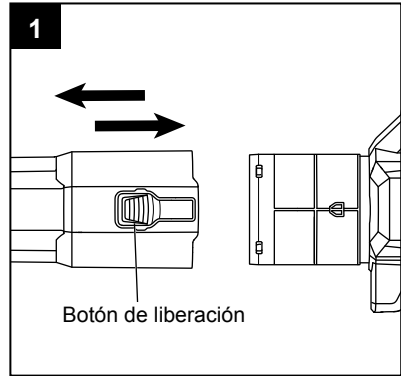
## INSTRUCCIONES DE FUNCIONAMIENTO

### 1. Cómo ensamblar el tubo del soplador

Este producto debe ensamblarse antes del uso.

#### **⚠ ADVERTENCIA**

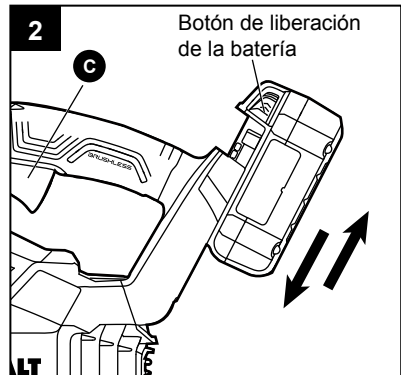
- Para evitar los arranques accidentales que podrían causar lesiones personales graves, siempre retire el paquete de baterías de la herramienta al ensamblar las piezas.
- a. Alinee el botón de liberación del tubo del soplador (A) con la protuberancia de la carcasa del soplador. Empuje el tubo del soplador hacia la carcasa del soplador hasta que escuche un clic para indicar que la protuberancia se fijó en su lugar.
- b. Para retirar el tubo del soplador, presione el botón de liberación, y retire el tubo del soplador de forma recta.



### 2. Cómo fijar o liberar el paquete de baterías

#### Para fijar el paquete de baterías

- a. Asegúrese de que el interruptor del gatillo de velocidad variable (C) y interruptor turbo (B) se encuentren en la posición OFF (APAGADO).
- b. Alinee la parte elevada del paquete de baterías (no se incluye) con las ranuras de la parte inferior de la herramienta y, luego, deslice el paquete de baterías en la herramienta como se muestra en la figura.
- c. Asegúrese de que los botones de liberación de la batería del paquete de baterías encajen en su lugar y que el paquete de baterías esté fijo a la herramienta antes de comenzar la operación.



**AVISO:** al colocar el paquete de baterías en la herramienta, asegúrese de que la varilla elevada del paquete de baterías se alinee con la ranura de la herramienta y que los pestillos encajen en su lugar adecuadamente. Un ensamblaje inadecuado del paquete de baterías puede provocar daños a los componentes internos.

#### Para liberar el paquete de baterías

- a. Asegúrese de que el interruptor del gatillo de velocidad variable (C) y el interruptor turbo (B) se encuentren en la posición OFF (APAGADO).
- b. Presione los botones de liberación de la batería para liberar el paquete de baterías.
- c. Jale el paquete de baterías hacia arriba para sacarlo de la herramienta.

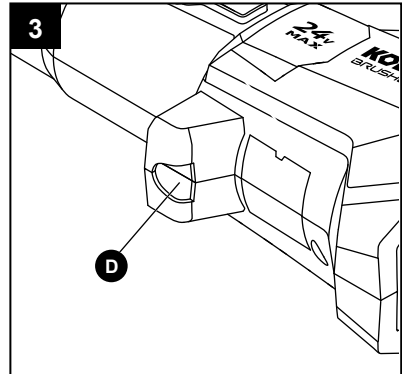
#### **⚠ ADVERTENCIA**

- Las herramientas a batería siempre están en condiciones de operación. Por lo tanto, el bloqueo del gatillo siempre debe estar en la posición OFF (APAGADO) cuando la herramienta no se encuentre en uso o cuando transporte la herramienta a su lado.

## INSTRUCCIONES DE FUNCIONAMIENTO

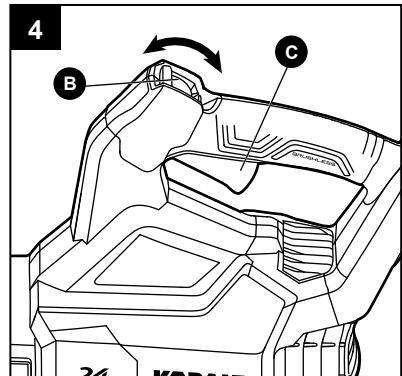
### 3. Orificio para gancho

El soplador está equipado con un orificio para gancho (D). El soplador puede colgarse de un gancho con el orificio.



### 4. Para arrancar y detener el soplador

El interruptor tipo gatillo de velocidad variable (C) puede encender/apagar el soplador y proporcionar una velocidad variable. El soplador también está equipado con un interruptor turbo (B) para encender y apagar el soplador, bloquearlo en una velocidad y cambiar al modo turbo.



#### Para encender el soplador

- Para encender el soplador, presione el interruptor tipo gatillo de velocidad variable.
- El interruptor de gatillo de velocidad variable proporciona mayor velocidad con mayor presión en el gatillo y menor velocidad con menor presión en el gatillo.
- Para bloquear el soplador a la velocidad elegida, mueva el interruptor turbo hacia la parte posterior de la herramienta. El ventilador se puede bloquear en cualquiera de las 3 configuraciones de velocidad.
- Para activar la velocidad en modo de propulsión, jale el interruptor turbo más atrás del ajuste de la 3ra velocidad. La velocidad del soplador volverá al ajuste de la 3ra velocidad cuando el interruptor del turbo esté.
- El interruptor turbo también se puede tirar hacia atrás para arrancar el soplador sin presionar primero el interruptor tipo gatillo de velocidad variable. El soplador funciona a velocidades progresivamente más altas a medida que el interruptor de turbo se mueve más atrás.

#### Para apagar el soplador

- Si el interruptor turbo no está activado, suelte el interruptor tipo gatillo de velocidad variable para apagar el ventilador.
- Si el interruptor turbo está activado, mueva el interruptor turbo a la posición original para apagar el ventilador.

## INSTRUCCIONES DE FUNCIONAMIENTO

---

### 5. Funcionamiento del soplador

#### ADVERTENCIA


- Siempre use lentes de protección con laterales que cumplan con la norma Z87.1 de la ANSI y protección para los oídos. De lo contrario, los objetos que salgan despedidos pueden ingresar a los ojos y causar lesiones graves.
- No use ningún acoplamiento ni accesorio que no esté recomendado por el fabricante de este producto. El uso de acoplamientos o accesorios no recomendados puede provocar lesiones personales graves.


Antes de cada uso, inspeccione el producto por completo para verificar que no haya piezas dañadas, faltantes o flojas, tales como tornillos, tuercas, pernos, tapas, etc. Apriete bien todos los sujetadores y las tapas y no use el producto hasta que se hayan reemplazado todas las piezas faltantes o dañadas.

- Para evitar los desechos dispersos, sople alrededor de los bordes de los desechos acumulados. Nunca sople directamente en el centro de la pila de acumulación.
- Para disminuir los niveles de ruido, reduzca la cantidad de equipos que se emplean al mismo tiempo.
- Use rastrillos y escobas para aflojar los desechos antes del soplado para despejarlos. En lugares con mucho polvo, humedezca ligeramente la superficie si hay agua disponible.
- Tenga cuidado con los niños, las mascotas, las ventanas abiertas o los autos recién lavados y sople los desechos de manera segura.
- Después de usar los sopladores u otros equipos, límpielos. Elimine los desechos de manera apropiada.

## CUIDADO Y MANTENIMIENTO

---

 Todas las tareas de mantenimiento deben estar a cargo únicamente de un técnico de servicio calificado.

 Antes de limpiar o realizar cualquier tarea de mantenimiento, retire la batería de la herramienta. Para un uso seguro y adecuado, siempre mantenga limpias la herramienta y sus ranuras de ventilación.

### Limpieza

Siempre use un paño suave y seco para limpiar el soplador; nunca use detergente ni alcohol.

### Almacenaje

Limpie todo el material extraño de las entradas de aire del soplador.

Almácelo en un lugar cerrado que no sea accesible para los niños. Mantenga alejado de agentes corrosivos, como productos químicos para jardín y sales descongelantes.

## SOLUCIÓN DE PROBLEMAS

---

### ADVERTENCIA

- Coloque el interruptor en la posición OFF (APAGADO) y retire el paquete de baterías de la herramienta antes de realizar cualquier procedimiento de solución de problemas.

PROBLEMA	CAUSA POSIBLE	ACCIÓN CORRECTIVA
La herramienta no funciona.	1. La capacidad de la batería es baja.	1. Cargue el paquete de baterías.
	2. El paquete de baterías o el soplador están demasiado calientes.	2. Apague el soplador y deje enfriar el soplador y el paquete de baterías.
Evidentemente, la velocidad del aire disminuye.	La entrada de aire está obstruida con desechos.	Retire el paquete de baterías; limpie los desechos.

## GARANTÍA

---

Este producto tiene cobertura de garantía contra defectos en materiales y mano de obra por 5 años a partir de la fecha de compra para el comprador original. Esta garantía no cubre los daños causados por el abuso, el desgaste normal, el mantenimiento inadecuado, la negligencia, la reparación o alteración no autorizada ni las piezas y accesorios desechables que se espera que sean inutilizables después de un período de uso razonable. La vigencia de esta garantía se limita a 90 días para el uso comercial y de alquiler.

Si considera que su producto cumple con los términos de garantía mencionados arriba, devuélvalo al lugar donde lo compró con un comprobante de compra válido y el producto defectuoso se reparará o reemplazará sin cargo. Esta garantía le otorga derechos legales específicos, pero también podría tener otros derechos que varían según el estado.

LOWE'S HOME CENTERS LLC MOORESVILLE, NC 28117

Impreso en Vietnam