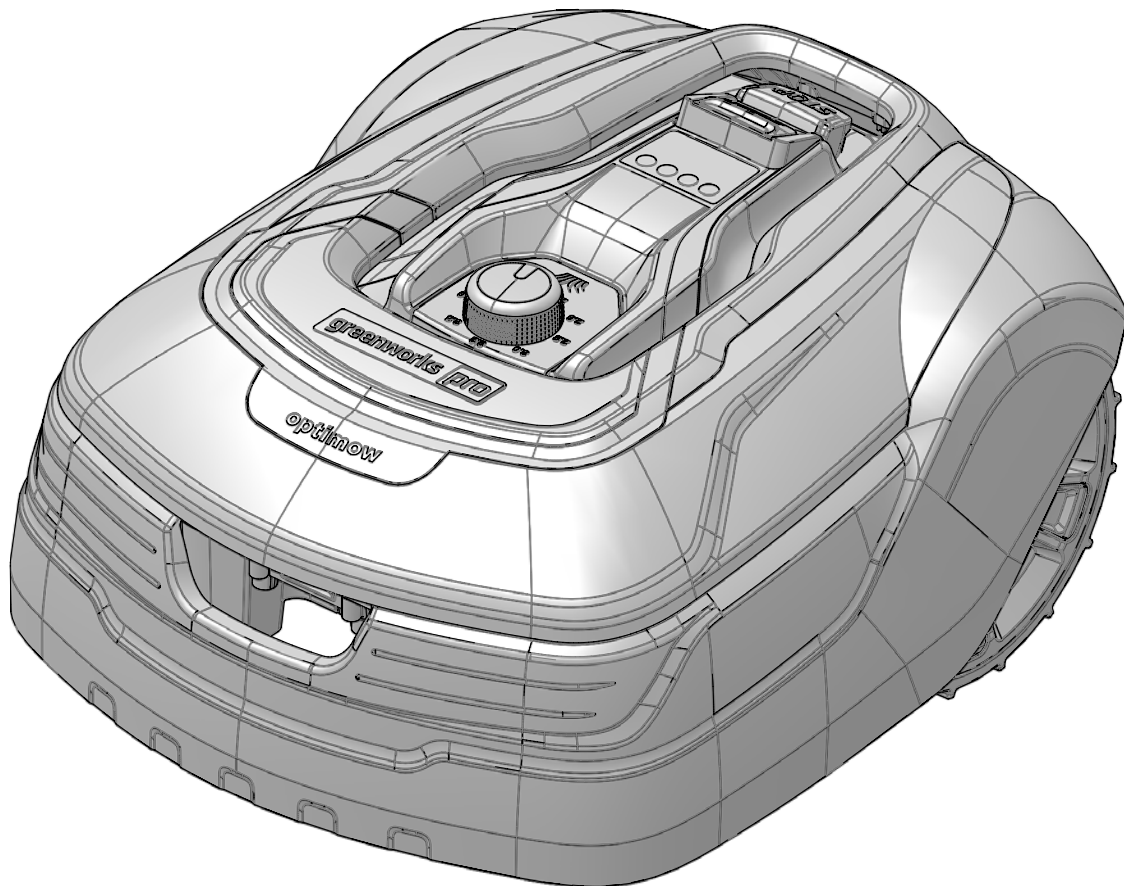




2529802/2529902/
2530002/2530102

EN	Robotic Lawnmower	OPERATOR'S MANUAL
FR	Tondeuse à gazon robotique	MANUEL OPÉRATEUR
ES	Cortacésped robótico	MANUAL DEL OPERARIO



Intertek
3091488

Optimow 25H/ Optimow 50H
Optimow 25/ Optimow 50

www.optimow.com

The following pages contain important safety and operating instructions

Carefully read and review all safety instructions, warnings and cautions contained in this manual.

Failure to read and follow these instructions, warnings and cautionary statements may result in severe injury or death to persons and pets or damage to personal property.

The materials, technical data, and figures in this manual are provided for guidance only and are not binding. The manufacturer reserves the right to make any changes to the technical characteristics and all features of operation, materials, technical data, or figures without prior warning.

Contents

Product Safety	4	Maintenance.....	21
Reading the operator manual	4	Removing the Body from Chassis.....	21
Operational safety	7	Cleaning	21
Product Unboxing	8	Replacing Blades.....	22
Installation	9	Maintaining the Battery.....	22
Planning Layout and Preparation	9	Replacing the Battery.....	23
Installing and Connecting the Charging Station	10	Winter Storage Mower	24
Position for the charging station as follows:.....	10	Winter storage Charging Station.....	24
Connecting the Power Supply.....	11	Troubleshooting.....	25
Initial Charging of the Battery.....	12	Indicator LEDs on Mower	25
Installing the Boundary Wire	13	Symptoms.....	26
Installing a Guide Wire	16	Breaks in Boundary Wire and Guide Wire	26
Calibrating and Initial Start Up.....	18	Technical Data.....	27
Operation.....	19	Environmental Protection	29
Starting and Stopping the Mower	19	Warranty Terms.....	30
Switching Off the Mower	19		
Adjusting Cutting Height	19		
Lifting and Carrying the Mower.....	20		
Pairing Mobile App to Mower.....	20		

As a complement to this operator manual, more information is available on the website:
www.optimow.com

EXPLANATION OF SYMBOLS ON THE MOWER



This is a dangerous power tool. Use care when operating and follow all safety instructions and warnings.

Read the operator manual carefully before operating the mower.



Remove the safety key before working on or lifting the mower.



Hazard of thrown objects during operation.

Keep a safe distance from the mower when operating and keep people, especially children, pets and bystanders away from the area where mower is being operated.



Do not ride on the mower.



Class III appliance

READING THE OPERATOR MANUAL

The following symbols are important for reading and understanding the operating instructions.



Wear protective gloves

The following system is used in the operator manual to make it easier to understand:

- **WARNING!** Warning texts alert users and consumers to the existence and nature of hazards so that they can prevent injury by appropriate conduct during use of the product.
- **CAUTION:** Caution texts alert users and consumers to the existence and nature of product risks so that they can prevent damaging the product by appropriate conduct during use of the product.
- **NOTE:** Notes inform users and consumers about additional information about product use.
- Text written in ***bold italics*** refers to another section in the operator manual.
- Text written in **bold** refers to settings on the mower.

IMPORTANT

READ CAREFULLY BEFORE USE! KEEP FOR FUTURE REFERENCE!

Training

WARNING! Automatic lawnmower! Keep away from the machine! Supervise children!

- Read the instructions carefully. Be familiar with the controls and the proper use of the machine.
- Never allow people unfamiliar with these instructions or children to use the machine. Local regulations may restrict the age of the operator.
- The operator or user is responsible for accidents or hazards occurring to other people or their property.

Preparation

- Ensure the correct installation of boundary and guide wires as instructed.
- Periodically inspect the area where the machine is to be used and remove all stones, sticks, wires, bones, and other foreign objects.
- Periodically visually inspect to see that the blades, blade bolts and cutter assembly are not worn or damaged. Replace worn or damaged blades and bolts in sets to preserve balance.

General

- Never operate the machine with defective guards, or without safety devices, for example the body, in place.
- Do not put hands or feet near or under rotating parts.
- Never pick up or carry an machine while the motor is running.
- Remove (or Operate) the disabling device from the machine
 - before clearing a blockage;
 - before checking, cleaning or working on the machine.
- Do not leave the machine to operate unattended if you know that there are pets, children or people in the vicinity.

Maintenance and storage

- Keep all nuts, bolts, and screws tight to be sure the machine is in safe working condition.
- Replace worn or damaged parts for safety.
- Ensure that only replacement cutting means of the right type are used.
- Ensure that batteries are charged using the correct charger recommended by the manufacturer. Incorrect use may result in electric shock, overheating or leakage of corrosive liquid from the battery.
- In the event of leakage of electrolyte flush with water/neutralizing agent, seek medical help if it comes into contact with the eyes, etc.
- Servicing of the machine should be according to manufacturers' instructions.

PROPOSITION 65

This product contains a chemical known to the state of California to cause cancer, birth defects or other reproductive harm. Some dust created by power sanding, sawing, grinding, drilling, and other construction activities contains chemicals known to cause cancer, birth defects or other reproductive harm. Some examples of these chemicals are:

- Lead from lead-based paints;
- Crystalline silica from bricks and cement and other masonry products;
- Arsenic and chromium from chemically treated lumber.

Your risk of exposure to these chemicals varies depending on how often you do this type of work. To reduce your exposure to these chemicals, work in a well-ventilated area, and work with approved safety equipment, such as dust masks that are specially designed to filter out microscopic particles.

SPECIAL RULES

This device complies with Part 15 of the FCC Rules. Operation is subject to the following two conditions:

The following system is used in the operator manual to make it easier to understand:

- This device may not cause harmful interference.
- This device must accept any interference received, including interference that may cause undesired operation.

CAUTION: Changes or modifications not expressly approved by the party responsible for compliance could void the user's authority to operate the equipment.

This equipment has been tested and found to comply with the limits for a Class B digital device, pursuant to Part 15 of the FCC Rules. These limits are designed to provide reasonable protection against harmful interference in a residential installation. This equipment generates, uses and can radiate radio frequency energy, and if not installed and used in accordance with the instructions, may cause harmful interference to radio or television reception. The reception can be determined by turning the equipment off and on, the user is encouraged to try to correct the interference by one or more of the following measures:

- Reorient or relocate the receiving antenna.
- Increase the separation between the equipment and the receiver.
- Connect the equipment into an outlet on a circuit different from that to which the receiver is connected.
- Consult the dealer or an experienced radio/TV technician for help.

To satisfy FCC RF exposure requirements, a separation distance of 20cm or more should be maintained between the antenna of this device and persons during device operation.

To ensure compliance, operations at closer than this distance is not recommended

IMPORTANT SAFETY INSTRUCTIONS

When using electrical products, basic precautions should always be practiced including the following:

- 1** READ AND FOLLOW ALL SAFETY INSTRUCTIONS.
- 2** Read and follow all instructions that are on the product or provided with the product.
- 3** For a cord-connected or direct plug-in power unit, do not use an extension cord.
- 4** Reference the National Electrical Code, NFPA 70, specifically for the installation of wiring and clearances from power and lighting conductors.
- 5** Installation work and electrical wiring must be done by qualified person(s) in accordance with all applicable codes and standards, including fire-rated construction.
- 6** For a cord-connected or direct plug-in power unit, do not install or use within 10 feet of a pool.
- 7** For a cord-connected or direct plug-in unit, do not use in a bathroom
- 8** **WARNING: Risk of Electric Shock.** When used outdoors, install only to a covered Class A GFCI protected receptacle that is weatherproof with the power unit connected to the receptacle. If one is not provided, contact a qualified electrician for proper installation. Ensure that the power unit and cord do not interfere with completely closing the receptacle cover.
- 9** **WARNING! Risk of Fire.** Installation involves special wiring methods to run wiring through a building structure. Consult a qualified electrician.
- 10** **WARNING: Output wiring of PSU more than 6 feet long may introduce a risk of fire, electric shock, or injury to persons.**

SAVE THESE INSTRUCTIONS – This manual contains important safety and operating instructions for power units.

OPERATIONAL SAFETY

This operator manual contains all of the basic information concerning the safe operation and maintenance of the mower.



Carefully read all the safety precautions and instructions in this operator manual before operating the mower. Save this operator manual for future reference. Follow manufacturer instructions regarding installation, operation, maintenance, and repair.

This mower is designed to mow grass in open and level areas. Use only equipment recommended by the manufacturer. All other types of use are incorrect.



The mower is not intended for use by persons (including children) with reduced physical, sensory, or mental capabilities, or lack of experience and knowledge, unless they have been given supervision or instruction concerning use of the appliance by a person responsible for their safety.

Children should be supervised to ensure that they do not play with the appliance.

The mower must only be operated, maintained, and repaired by persons that fully understand its special characteristics and safety regulations.

Start the mower in accordance with the instructions. When the safety key is in the **Enabled** position, keep your hands and feet away from the rotating blades.

Never put your hands and feet under the mower.

Do not modify the original design of the mower. All modifications void the guarantee.

Switch off mower using the STOP button on the mower when persons, especially children, or pets are in the cutting area. It is recommended that the mower be programmed for use during hours when the area is free from persons or pets.

Remove objects from the operating area such as branches, toys, stones, tools that can damage the blades. The mower can fasten on objects in the operating area and help may be required to remove the object before the mower can continue mowing.

Never lift up the mower or carry it with the safety key inserted.

Always switch off the mower using the STOP button when the mower is not in use. The mower can only start when the safety key is inserted and the START button is pressed.

The built-in alarm is very loud. Be careful, especially if the mower is handled indoors.

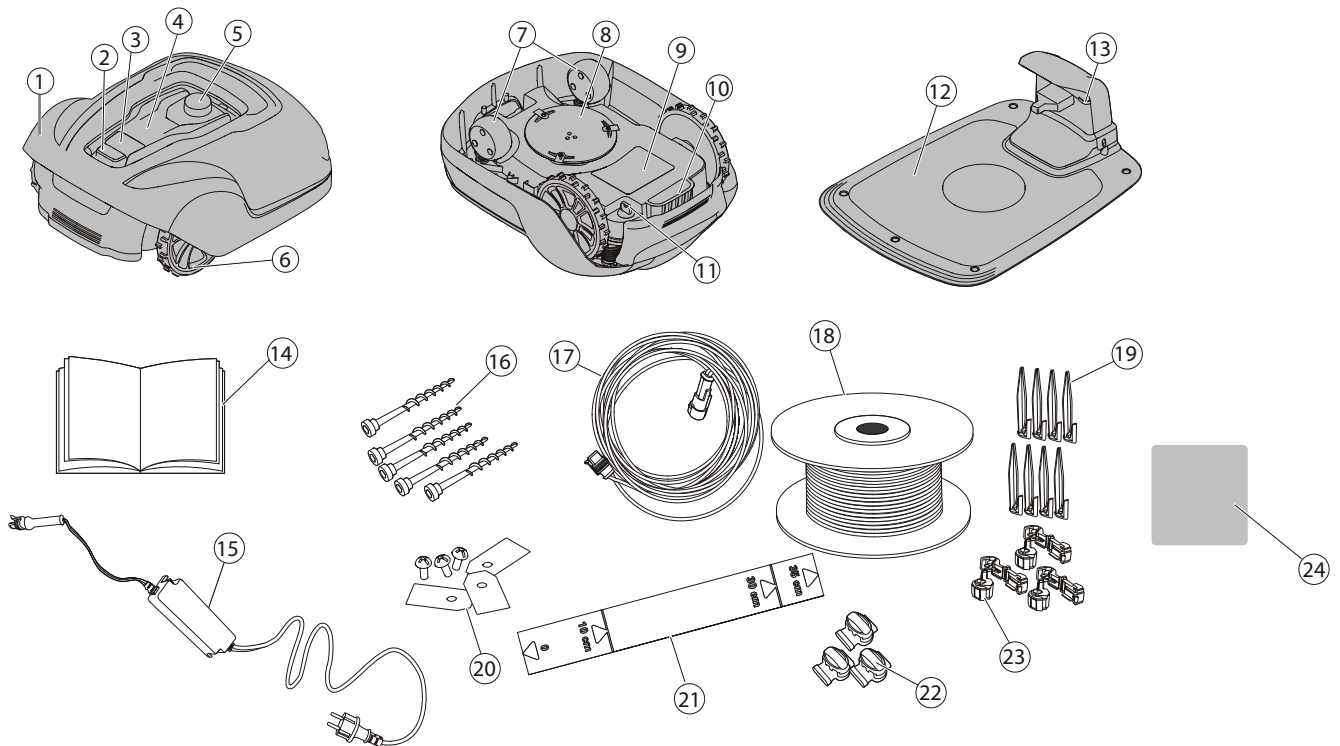
Do not use the mower with a defective blade disc or body.

Do not let persons who do not know how the mower works and behaves use it.

Do not put anything on top of the mower or its charging station.



Always wear protective gloves when working with the mower's blades.



- | | |
|--|--|
| <ul style="list-style-type: none"> 1 Removable cover 2 Stop button 3 Start button 4 LED indicators 5 Cutting height adjustment 6 Rear wheels 7 Front wheels 8 Blade disc 9 Battery cover 10 Carrying handle 11 Safety key 12 Charging station 13 LED for operation check | <ul style="list-style-type: none"> 14 Operator manual and quick guide 15 Power supply* 16 Screws for securing charging station (x5) 17 Low voltage cable 18 Loop wire for boundary and guide wire 19 Wire pegs 20 Extra blades and screws (x3) 21 Ruler (break off carton top) 22 Splice and guide wire connectors 23 Loop wire connectors 24 Label-Wire marker. G1 & G2 = Guide wire 1 & 2. BL & BR = Boundary wire Left & Right" |
|--|--|

* The appearance of the power supply may differ depending on market.

Unbox the mower and installation materials. Make certain that all parts shown in Figure 1 are included and undamaged. Contact your retailer if any items are missing or damaged.

Keep the Quick Guide in a safe place since it contains the unique pairing code for your mower.

Read the entire section before beginning installation. Installation affects mower capability. Plan the installation carefully.

The following are the main tasks within the installation:

- Planning layout and preparation
- Installing and connecting the charging station
- Connecting the power supply
- Initial charging of the battery
- Installing the boundary wire
- Installing the guide wire
- Calibrating and initial start up

PLANNING LAYOUT AND PREPARATION

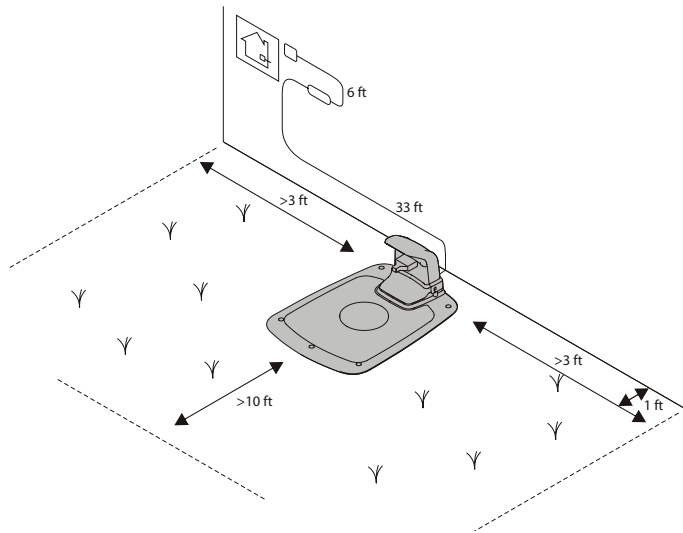
Ensure that the following conditions exist in the operating area where the mower will be used:

- The grass is shorter than 4 inch.
- There are no stones, loose pieces of wood, wire, live mains cables, and other foreign objects.
- The operating area is even and has no ditches, grooves, and steep slopes greater than 35%.

The following tools are required for installation, but not included:

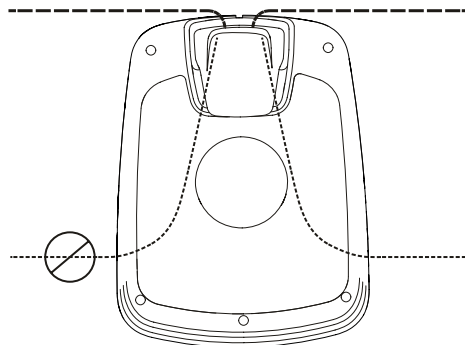
- Hammer/rubber mallet to drive the pegs into the ground
- Combination pliers to cut the boundary wire
- Polygrip to press the couplers together
- Hex key, 6 mm for securing the charging station to ground

INSTALLING AND CONNECTING THE CHARGING STATION



Position for the charging station as follows:

- In a level spot out of direct sunlight
(The front end of the charging station must not be 2 inch higher or lower than the back end.)
- Within reach of a wall socket
(The low voltage cable is 33 ft long.)
- With at least 10 ft in front of it and 3 ft to each side
(Do not position in confined spaces in the operating area.)



The entire charging station must be inside the operating area as shown in the figure.

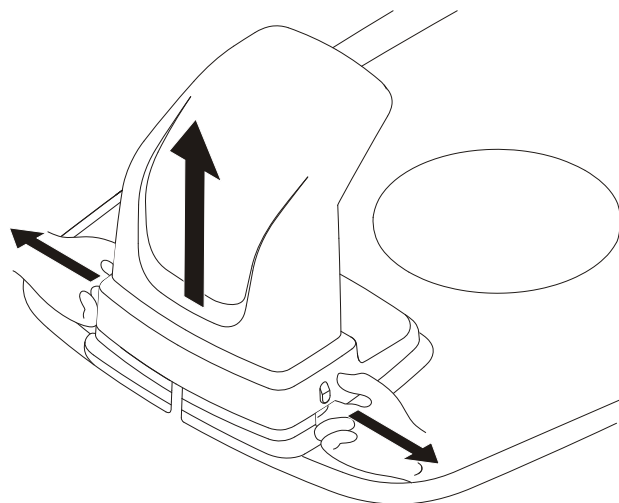
CONNECTING THE POWER SUPPLY

Connect the power supply in a cool, dry environment; out of direct sunlight.

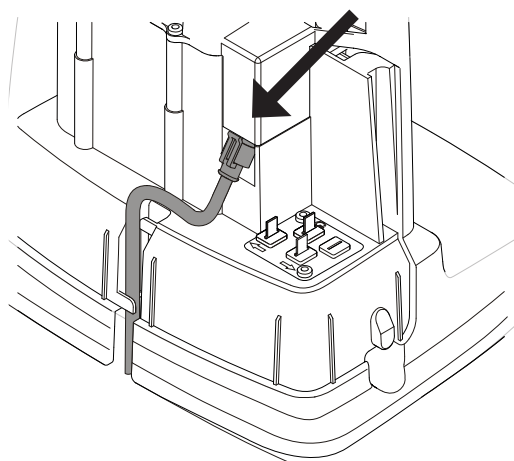
If the power supply is connected to an electrical socket outdoors, it must be approved for outdoor use.

The low voltage cable can cross the operating area if it is stapled down or buried.

CAUTION: Do not cut, splice, or alter the low voltage cable. Altering the low voltage cable will void the product guarantee.



Remove the protective cover on the charging station by pressing in the tabs on each side of the base and lifting away the cover.

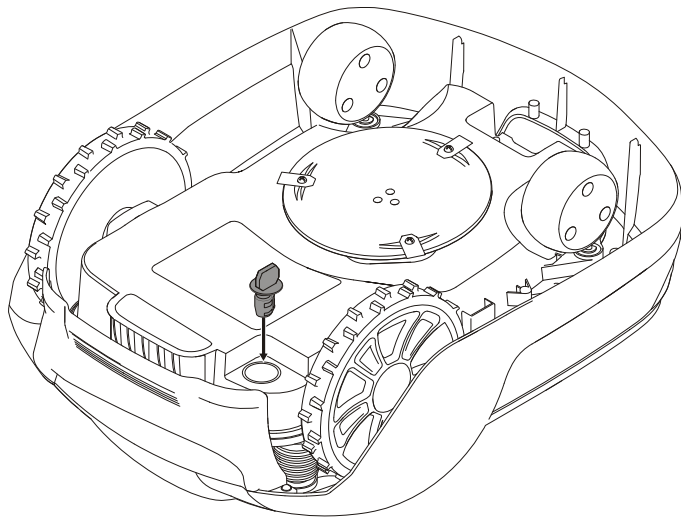


Connect the low voltage cable to the charging station.

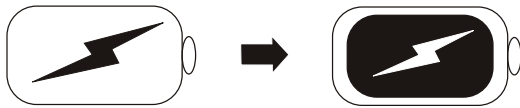
Thread the low voltage cable behind the tabs to hold it in place in the charging station.

Connect the power supply power cable to a 100-120 V wall socket.

INITIAL CHARGING OF THE BATTERY

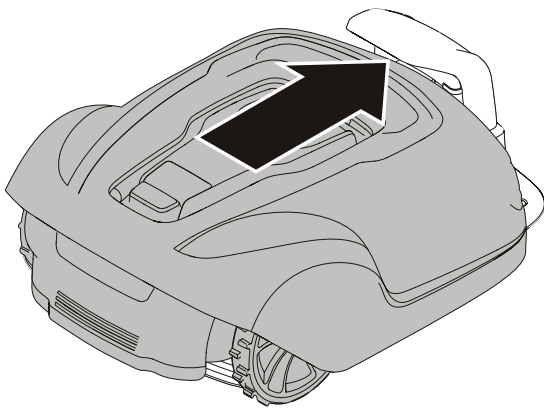


Insert the safety key into the underside of mower and turn to the **Enable** position.



Place the mower into the charging station while the boundary and guide wires are being laid.

The mower cannot be used before the installation is complete.



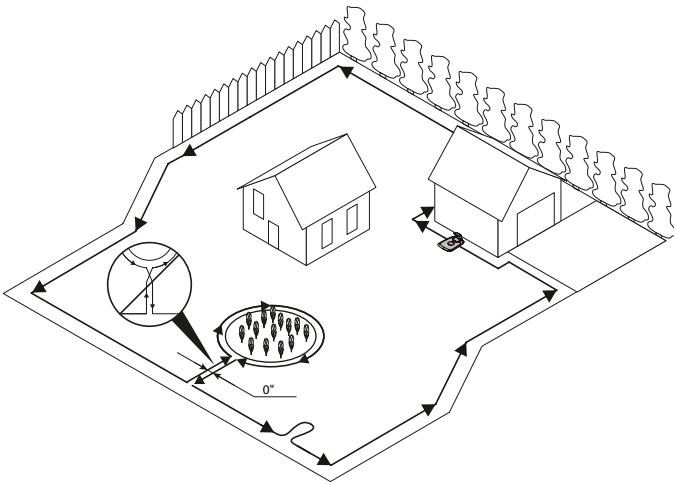
INSTALLING THE BOUNDARY WIRE

When installing the boundary wire there are a number of situations to consider as described in the table below.

Table 1. Handling Deviations and Obstacles in the Operating Area

VARIATION WITHIN OPERATING AREA	BOUNDARY WIRE PLANNING
Fixed obstacles level with lawn that the mower can traverse (paving stone paths or similar)	Lay the boundary wire under the paving stones or in the joint between the paving stones. Never run the mower over gravel, mulch, or similar material that can damage the blades.
Fixed obstacles ± 0.4 inch high	Lay the boundary wire 4 inch from the obstacle.
Fixed obstacles 0.4—2 inch high (small ditches, flower beds, or low kerbstones)	Lay the boundary wire 12 inch from the obstacle.
Fixed obstacles 2 inch or higher (fences or walls)	Lay the boundary wire 14 inch from the obstacle.
Fixed obstacles taller than 6 inch that can withstand a collision (trees or shrubs)	No measures required; the mower will turn around when it collides with this type of obstacle.
Fixed obstacles that slope slightly such as stones or large trees with raised roots	Lay the boundary wire 12 inch from or remove obstacle.
Fixed obstacles that cannot withstand a collision	Lay the boundary wire 12 inch from and around the obstacle and then return it back along the same route.
Long and narrow passages and areas narrower than 5 feet	Install a guide wire.
Borders on a slope, road, precipice, or water	Supplement the boundary wire with a physical barrier at least 6 inch high.
Slope up to 35% within operating area	No measures required; the mower can operate up to a 35% as long as the slope is not at the boundary of the operating area.
Slope less than 15% at operating area edge	Lay boundary wire as normal.
Slope greater than 15% at operating area edge	Do not lay boundary wire unless a fixed obstacle (fence or wall) exists to prevent the mower from leaving the operating area. When a part of the operating area outer edge slopes more than 15%; lay the boundary wire 7.8 inch in on the flat ground before the beginning of the slope.

NOTE: Slope gradient is defined in percentage units (%). The slope as a percentage unit is calculated as the difference in elevation in inches for every 10 inch. If, for example, the difference in elevation is 1 inch, the slope gradient is 10%.

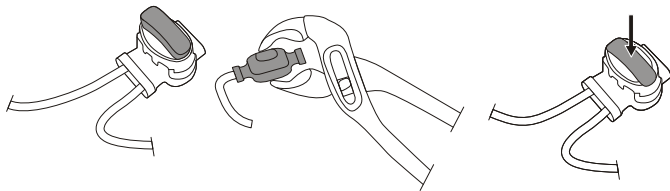


Temporarily secure the end of the loop wire to a peg or other object at the charging station.

Lay out the loop wire in a counter-clockwise direction along the planned boundary of the operating area taking into consideration the rules in Table 1 until you return to the charging station.

If you are going to install a guide wire, create an eyelet with about 8 inch of extra boundary wire at the point where the guide wire will later be connected.

See **Installing a Guide Wire** on page 16 for more information.



If the boundary wire is too short, use provided splice and guide wire connectors to splice additional boundary wire as follows:

- 1 Insert both ends of the boundary wire into the splice and guide wire connector. Check that the wires are fully inserted into the splice and guide wire connector so that the ends are visible through the splice and guide wire connector.
- 2 Squeeze down the button on top of the splice and guide wire connector fully using a polygrip until you hear a click.

Lay down the loop wire reel at the charging station.

Go back around the boundary of the operating area and secure the boundary wire either using pegs or buried in the ground. Pegs are recommended since this allows for adjustment during the first few weeks of operation.

When securing the boundary wire with pegs:

- Cut the grass very low with a standard lawnmower or a trimmer where the wire is to be laid.
- Lay the boundary wire on the ground and secure with pegs close together.
- Push or hammer the pegs into the ground.

Do not push the pegs so far into the ground so that they strain the boundary wire.

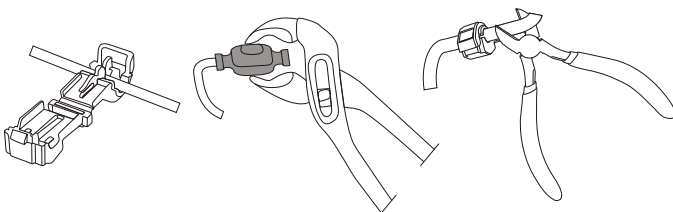
When burying the boundary wire:

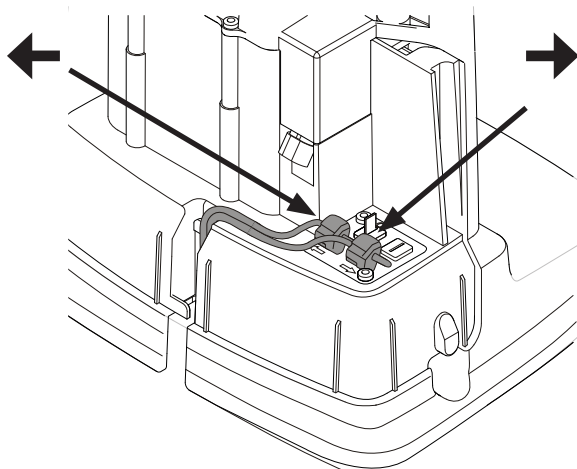
- Bury the boundary wire 0.4 inch—8 inch into the ground.

When the boundary wire is completely laid out and secured, install end loop wire connectors as follows:

- 1 Open the loop wire connector and place the wire in the loop wire connector grip.
- 2 Press the loop wire connectors together using a polygrip until you hear a click.

Cut off any surplus boundary wire 0.4 inch-1 inch above each connector.



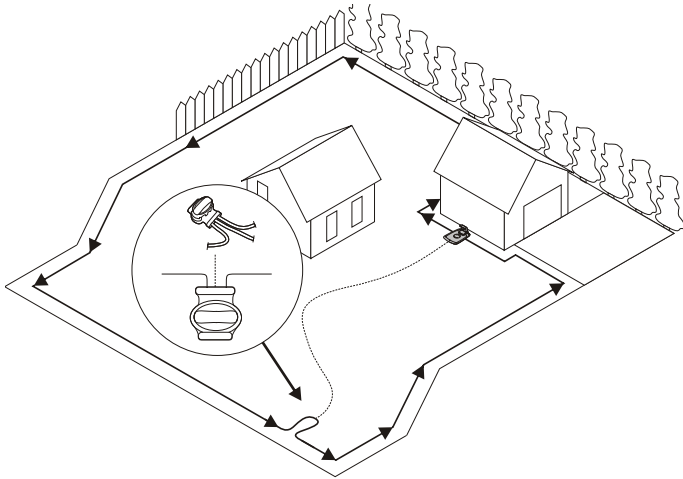


Connect the boundary wire to the charging station as follows:

- 1** Remove the protective cover on the charging station and thread the wire behind the tabs into the channel at the rear of the charging station.
- 2** Press the connector onto the metal pins on the charging station (marked with left and right arrows).

NOTE: Make sure the boundary wire to the right of the charging station is connected to the arrow pointing right and the same for the left side.

INSTALLING A GUIDE WIRE



The mower uses the optional guide wire to find its way back to the charging station, but also find hard-to reach areas of the operating area. For example, the guide wire is laid between the charging station and a remote part of the working area or through a narrow passage.

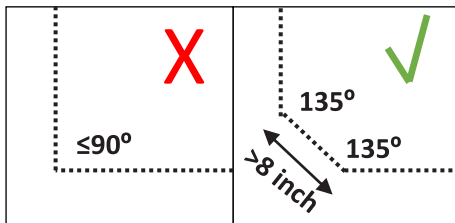
For narrow passages (less than 10 feet) or to shorten search times, a guide wire is recommended.

Plan the location of the guide wire before laying out the boundary wire.

Use the same cable roll for both the boundary wire and the guide wire.

The guide wire, like the boundary wire, must be secured to the ground with pegs or buried.

When installing the guide wire on a steep slope, lay the wire at an angle to the slope so it is easier for the mower to follow the guide wire on the slope.



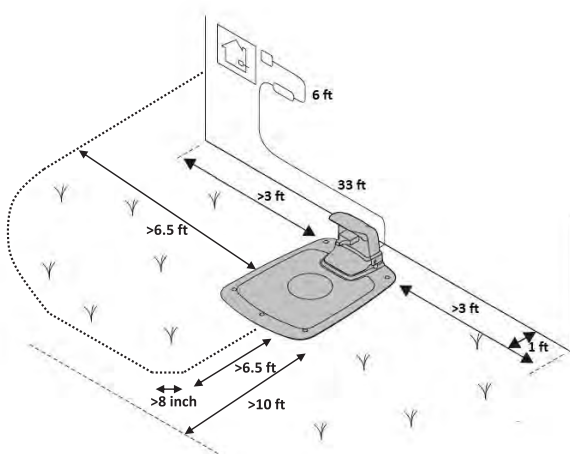
Do not lay the guide wire at sharp angles or the mower will have difficulty following it.

Do not lay the guide wire closer than 12 inch from the boundary wire.

Do not lay the guide wire across the boundary wire.

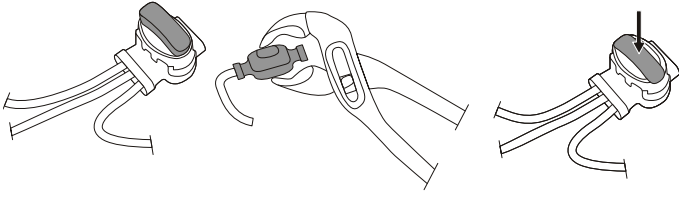
Lay the guide wire straight under the charging plate in the track intended for this and then at least 6.5 ft straight out from the front edge of the plate.

Leave as much space as possible to the left of the guide wire (as seen when facing the charging station).



Run the guide wire to the loop on the boundary wire where the guide wire is to be connected.

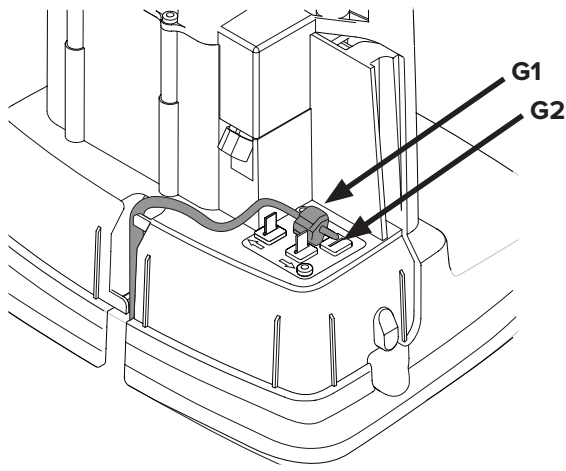
Cut the boundary wire using the combination pliers.



Insert both ends of the boundary wire as well as the end of the guide wire into the splice and guide wire connector. Check that the wires are fully inserted into the splice and guide wire connector so that the ends are visible through the splice and guide wire connector.

Squeeze down the button on top of the splice and guide wire connector fully using a polygrip until you hear a click.

Secure the splice and the boundary and guide wires either using pegs or by burying.

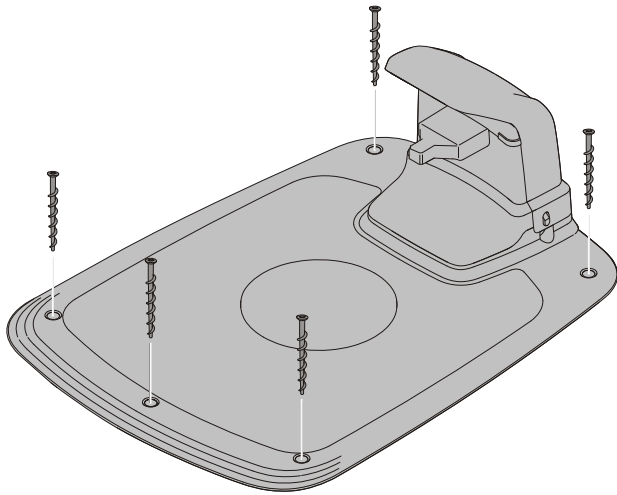


Connect the guide wire to the charging station as follows:

- 1 Remove the protective cover on the charging station and thread the guide wire behind the tabs into the channel leading to the terminals.
- 2 Connect the guide wire to the contact pin on the charging station that is labelled **G1**.

Installing a second guide wire (not on all models):

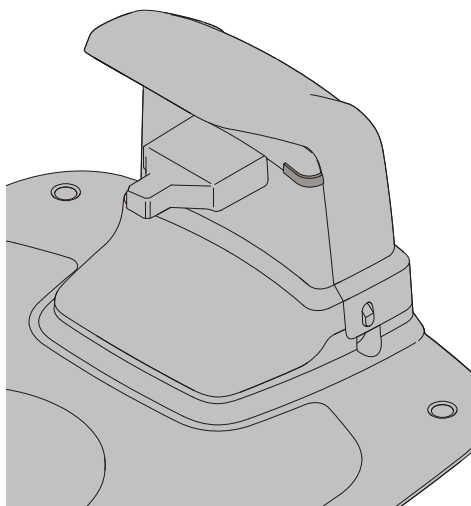
- 1 If you have more than one narrow passage or a complicated garden you can install a second guide wire. To do this, follow the steps for installing a guide wire except connecting it to the contact pin on the charging station marked **G2**.

CALIBRATING AND INITIAL START UP

Secure the charging station to the ground using the five supplied fixing screws using a 6 mm hex key.

NOTE: Do not make new holes in the charging station base plate. Only the existing holes may be used to secure the base plate to the ground.

NOTE: Do not step or walk on the charging station base plate.



Check the LED indicator on the charging station:

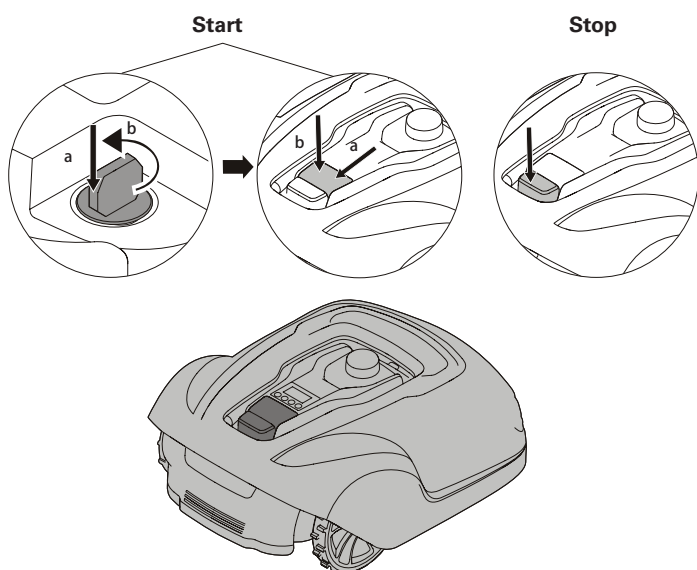
- LED indicator lights up continuously green, if the output voltage of the power supply is available and the boundary wire is not interrupted.

The LED indicator does not light up when the output voltage of the power supply is not available.

If the indicator LED does not show a solid or green light, see **Indicator LEDs on the Charging Station** on page 24 for troubleshooting.

Pair the mower with Mobile App as instructed in **Pairing Mobile App to Mower** on page 19.

STARTING AND STOPPING THE MOWER



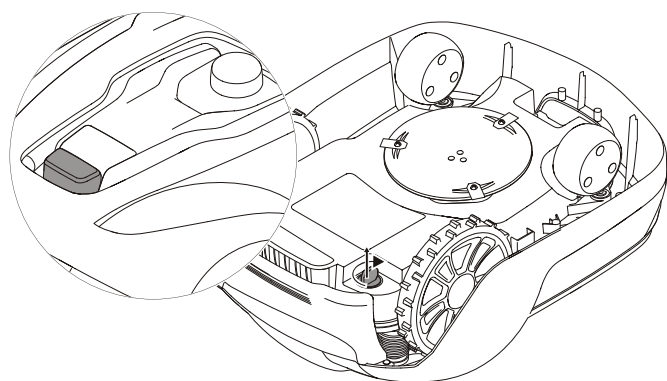
To start the mower:

- 1 Insert the safety key and rotate counter clockwise to position "1".
- 2 Slide the **START** button latch backwards.
- 3 Press down the **START** button.

To stop the mower:

Press the **STOP** button on the mower.

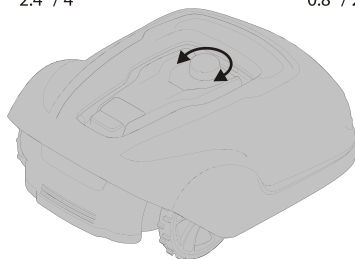
SWITCHING OFF THE MOWER



Press the **STOP** button on the mower and remove the safety key.

WARNING! Always remove the safety key when performing maintenance or if the mower must be moved.

ADJUSTING CUTTING HEIGHT



For the first few weeks of mowing, set the cutting height to at least 2.4 inch to avoid cutting the boundary wire and guide wire. Lower the setting one step each week thereafter until the desired cutting height is reached.

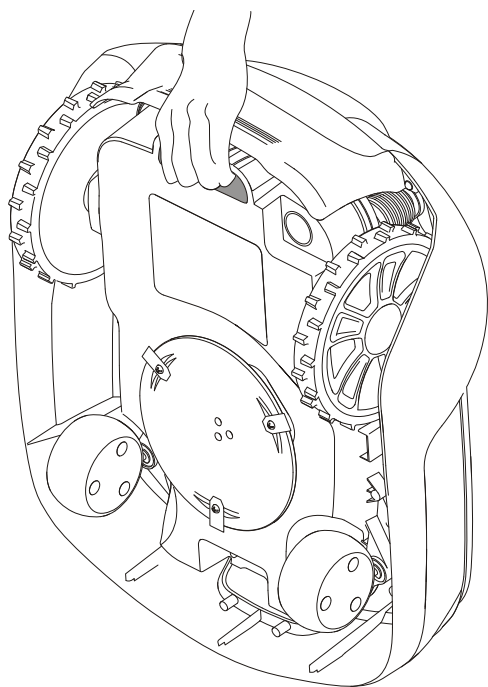
Turn the cutting height adjustment knob to the required setting. The selected setting is the marking on the body that aligns with the arrow on the knob.

Turn clockwise to increase the cutting height.

Turn anti-clockwise to decrease the cutting height.

The cutting height for the mower can be adjusted between 0.8 inch and 2.4 inch for model 33 and 66 and 2.4 to 4 inch for model 33H and 66H.

LIFTING AND CARRYING THE MOWER



Press the **STOP** button and remove the safety key before lifting.

Always lift the mower using the carrying handle.

PAIRING MOBILE APP TO MOWER

Download Greenworks GreenGuide from App Store/Google Play and follow the on-screen instructions for how to pair the mower. Have the unique pairing code (found on the quick guide manual) and the mower at hand.

ENERGY SAVING MODE

If the mower shall not be used for some time it is possible to put mower in a very low energy mode with the switch "Energy saving mode" in mower's setting page in "Greenworks tools App".

When "Energy saving mode" selected the mower will run to Charging Station, charge the battery and disable both Charging station (LED will be disabled) and the mower. The mower will also disable the connection to the App when mower is in Energy Saving Mode.

After battery charging started, can the mower only wake up by pull out the mower from Charging Station and then push it in Charging station again.

WARNING! Wear protective gloves when handling or working near the sharp blades.

WARNING! Before working on the mower itself, remove the safety key.

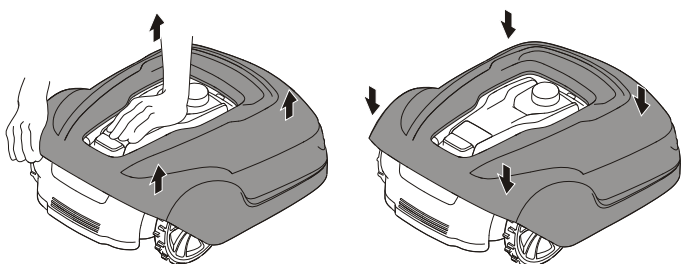
WARNING! Before working on the charging station or power supply, remove the plug from the mains.

- Periodically visually inspect the mower and replace worn or damaged parts for safety.
- Inspect that the blades rotate freely
- Keep all nuts, bolts, and screws tight to be sure that the mower is in safe working condition.
- The normal operating life of the blades is 2 to 6 weeks when used at maximum area capacity and longer for smaller areas.

CAUTION: Dull blades result in the grass being cut poorly; requiring more energy and shorter time between battery loadings.

- Clean the mower regularly for best function.

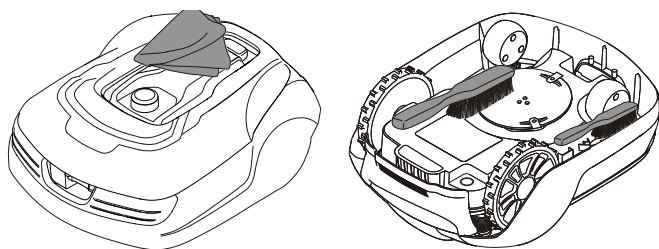
REMOVING THE BODY FROM CHASSIS



Hold down the mower with one hand and lift firmly at one of the corners of the body and repeat for all four corners, until the body pops loose from the chassis.

Replace the body by aligning the body onto the chassis and press down firmly until you hear the click. Check that the body is firmly attached to the chassis.

CLEANING

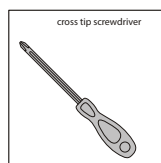
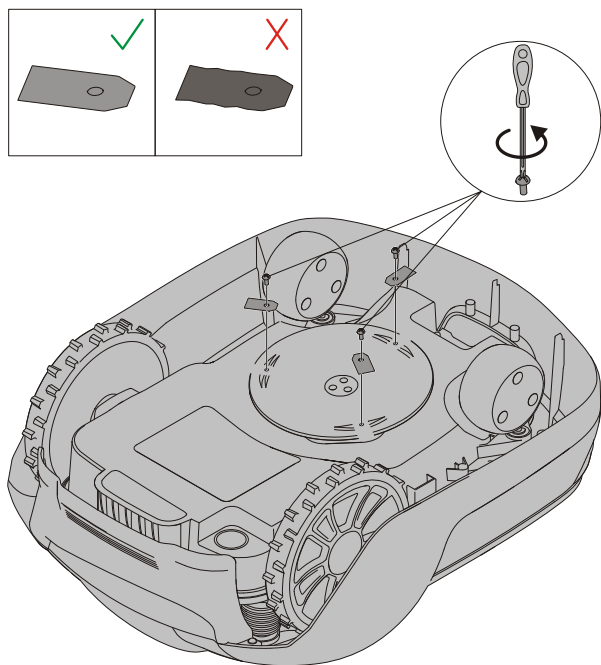


WARNING! Press the **STOP** button and remove the safety key before cleaning.

Clean the exterior of the mower thoroughly using a soft brush, damp cloth, and low pressure water hose, if necessary. Remove the body from the chassis.

Turn the mower on its side and clean the blade area and wheels with a stiff brush or scraper to remove compacted grass clippings.

REPLACING BLADES



WARNING! Press the **STOP** button and remove the safety key before replacing blades and wear protective gloves.

WARNING! Use only **GLOBE'S** blade: 333092355

CAUTION: Use only original replacement parts.

Replace all three blades and screws as a set at the same time.

Turn the mower upside down.

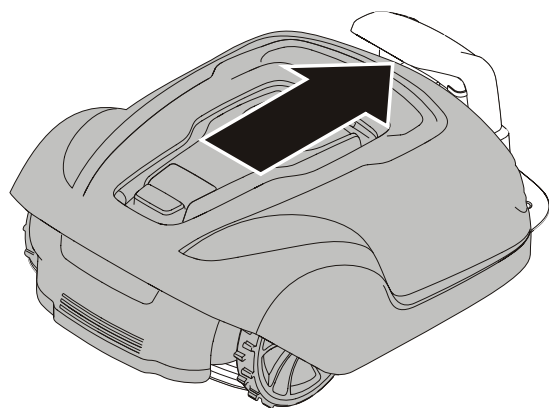
Loosen the screws using a straight slot or cross tip screwdriver.

Remove the blades and the screws.

Screw in the new blades using new screws.

Check that the blades pivot freely

MAINTAINING THE BATTERY

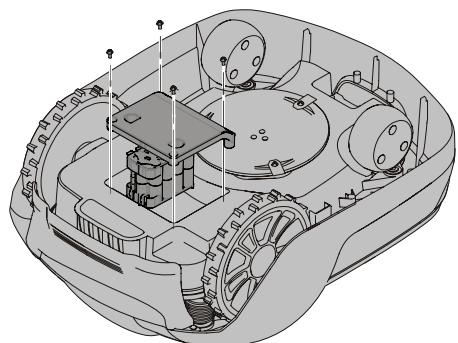
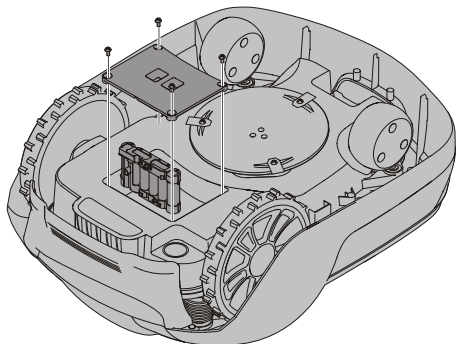


WARNING! In the event of electrolyte leakage, flush with water/neutralizing agent and seek medical care if electrolyte comes in contact with the eyes.

Only charge the battery in the original charging station. Incorrect use may result in electric shock, overheating, or leakage of corrosive liquid from the battery.

The battery is maintenance-free, but has a limited service life of 2 to 4 years depending on the length of the season and how many hours a day the mower is used.

REPLACING THE BATTERY



WARNING! Press the **STOP** button and remove the safety key before replacing batteries and wear protective gloves.

CAUTION: Use only original replacement parts.

Turn the mower upside down and remove the four Torx T20 screws and remove the battery cover.

Disconnect the battery terminal connector.

Lift the battery straight out.

Insert the new battery in slot 1 (the rear slot).

Connect the battery terminal connector to the new battery.

Put the battery cover back into place and insert and tighten the four Torx T20 screws.



Discard the old battery in accordance with local environmental regulations.

WINTER STORAGE MOWER

Always clean the mower before winter storage.

Charge the battery fully before winter storage. If the battery is not fully charged it can be damaged and in certain cases be rendered useless.

CAUTION: If the battery is not fully charged, it can be damaged and in certain cases be rendered useless.

Inspect the condition of wear items; that the blades are sharp and that blades and front wheels turn freely. Correct any deficiencies.

Store the mower in a dry, frost-free environment standing on all four wheels.

WINTER STORAGE CHARGING STATION

When possible, disconnect the boundary wire and guide wire from the charging station and store the charging station and power supply indoors.

Leave the boundary wire and the guide wire in the ground, but protect the ends of the wires from dampness by connecting them to an original coupler or putting them in a container with grease.

If it is not possible to store the charging station indoors, the charging station must remain connected to the mains, the boundary wire, and the guide wires.

AFTER WINTER STORAGE

Inspect the mower and charging station contact and charging strips for corrosion, burning, or filth. If the charging or contact strips require cleaning, clean using fine grade emery cloth.

This section also presents some symptoms that can guide you if the mower does not work as expected.

INDICATOR LEDS ON MOWER



LED	STATUS	MEANING	ACTION
1. Operating (Green)	Flashing	Recovery mode	Place the robot in charging station for up to 5 hours and wait for the green LED to stop flash. If LED doesn't stop flash then restart the robot outside the CS and try again.
	On	Mower in operation mode (charging, parked in Charging station, paused, mowing or searching)	
	Off	Mower stopped with Stop button on mower, safety key in Disabled position, mower in error state or mower waiting for PIN code.	
2. Connectivity (Blue)	Flashing	Trying to connect to internet server	
	On	Connected to internet server	
	Off	Mower not in "Power on mode"	
3. Security (Yellow)	Flashing	PIN code authorization required	... via Mobile App.
	Off	No pin required	No action required
4. Error (Red)	Flashing	Mower stopped with error	Check the reason for the error and then restart by pressing the Start button on the mower.

INDICATOR LEDS ON CHARGING STATION

LED	STATUS	MEANING	ACTION
Green	On	Boundary wire and Charging station OK	No action required.
Blue	Flashing	Boundary wire broken or not connected	Check and repair boundary wire.
Red	Flashing	Electronic fault in charging station or power supply Unit	Please contact your dealer
-	Off	No power to Charging station or mower in Energy Saving mode.	Check main voltage. See section "Energy Saving Mode" on page 20

SYMPTOMS

If your mower does not work as expected, follow the troubleshooting guide below.

SYMPTOMS	CAUSE	ACTION
Mower has difficulty docking with charging station	The charging station is on a slope.	Place the charging station on a surface that is entirely level. See Installing and connecting the Charging Station on page 10.
	The boundary wire is not laid correctly in relation to the charging station.	Check that the charging station and boundary wire has been correctly installed. See Installing and connecting the Charging Station on page 10.
Uneven mowing results	The mower works too few hours per day.	Increase the operation time. See the Scheduling function in the Mobile App.
	The shape of the working area requires manual settings to be made for the mower to find its way to all remote areas.	Adjust lawn coverage to steer the mower to one or more remote areas. See Settings function in the Mobile App.
	The shape of the working area requires manual settings to be made for the mower to find its way to all remote areas.	Try limiting the operating area or extending the operation time. See the Scheduling function in the Mobile App.
	The blades are dull.	Replace all the blades and screws so that the rotating parts are balanced. See Replacing blades on page 22.
	Grass collects on the blade disc or around the motor shaft.	Check that the blade disc rotates easily. If not, remove grass and foreign objects. See Maintenance on page 21.
The mower mows for shorter periods than usual between charges	Grass or other foreign object are blocking the blade disc.	Remove grass and foreign objects. See Maintenance on page 21.
	The battery is worn out.	Replace the battery. See Replacing the Battery on page 23.
Mowing and charging times shorter than usual	The battery is worn out.	Replace the battery. See Replacing the Battery on page 23.

BREAKS IN BOUNDARY WIRE AND GUIDE WIRE

Breaks in the boundary wire and guide wire (if installed) are usually the result of unintentional physical damage.

Inspect the entire boundary wire from the charging station and back.

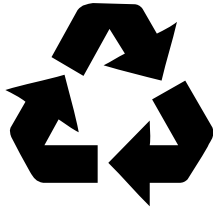
Inspect the guide wire (if installed) from the charging station to the splice into the boundary wire.

Inspect that all the couplings have been properly squeezed to make connections.

	Optimow 25H	Optimow 50H	Optimow 25	Optimow 50
Dimensions:				
Height	12.2 inch	12.2 inch	10.3 inch	10.3 inch
Length	25.0 inch	25.0 inch	24.8 inch	24.8 inch
Width	20.0 inch	20.0 inch	19.7 inch	19.7 inch
Weight	26.4 lbs	26.4 lbs	24.2 lbs	24.2 lbs
Electrical system:				
Battery, Special Lithium-Ion battery	24 V / 2.0 Ah, Part No. 211022355	24 V / 2.0 Ah, Part No. 211022355	24 V / 2.0 Ah, Part No. 211022355	24 V / 2.0 Ah, Part No. 211022355
	24V/4.0Ah, Part No. T0100273-00	24V/4.0Ah, Part No. T0100273-00	24V/4.0Ah, Part No. T0100273-00	24V/4.0Ah, Part No. T0100273-00
Power supply	100-120 V/29 V DC	100-120 V/29 V DC	100-120 V/29 V DC	100-120 V/29 V DC
Low voltage cable length	33 ft	33 ft	33 ft	33 ft
Mean energy consumption at maximum use	10 kWh/month for a working area of 1/4 acre	12 kWh/month for a working area of 1/2 acre	10 kWh/month for a working area of 1/4 acre	12 kWh/month for a working area of 1/2 acre
Charge current	1.3 A DC	2.4 A DC	1.3 A DC	2.4 A DC
Average charging time (use 211022355 battery)	140 minutes	40 minutes	140 minutes	40 minutes
Average charging time (use T0100273-00 battery)	270 minutes	70 minutes	270 minutes	70 minutes
Average cutting time (use 211022355 battery)	70 minutes	70 minutes	70 minutes	70 minutes
Average cutting time (use T0100273-00 battery)	150 minutes	150 minutes	150 minutes	150 minutes
Mowing:				
Cutting system	Three pivoted cutting blades	Three pivoted cutting blades	Three pivoted cutting blades	Three pivoted cutting blades
Average power consumption during cutting	25 W ± 20%	25 W ± 20%	25 W ± 20%	25 W ± 20%
Cutting height	2.4-4.0 inch	2.4-4.0 inch	0.8-2.4 inch	0.8-2.4 inch
Cutting width	8.7 inch	8.7 inch	8.7 inch	8.7 inch
Narrowest possible passage	24 inch	24 inch	24 inch	24 inch
Maximum angle for cutting area	35%	35%	35%	35%
Maximum angle for boundary wire	15%	15%	15%	15%
Maximum length boundary wire	2600 ft	2600 ft	2600 ft	2600 ft
Maximum working capacity	1/4 acre	1/2 acre	1/4 acre	1/2 acre
Recommended area capacity	0 - 0.2 acre	0.1 - 0.4 acre	0 - 0.2 acre	0.1 - 0.4 acre
IP classification:				
Mower	IPX5	IPX5	IPX5	IPX5
Charging station	IPX2	IPX2	IPX2	IPX2
Power supply	IP67	IP67	IP67	IP67

RADIO FREQUENCY DATA SHEET

	LTE Cat M1	Short Range Devices (SRD) (Boundary Wire)
Frequency Bands	Band 2 1900 MHz Band 4 1700 MHz	0~148.5KHz
Power Class	Class 3 (23 dBm)	NA



The toxic and corrosive materials below are in the batteries used in this machine: Lithium-Ion, a toxic material.

WARNING! Discard all toxic materials in a specified manner to prevent contamination of the environment. Before discarding damaged or worn out Li-ion battery, contact your local waste disposal agency, or the local Environmental Protection Agency for information and specific instructions. Take the batteries to a local recycling and/or disposal center, certified for lithium-ion disposal.

WARNING! If the battery pack cracks or breaks, with or without leaks, do not recharge it and do not use. Discard it and replace with a new battery pack. DO NOT TRY TO REPAIR IT! To prevent injury and risk of fire, explosion, or electric shock, and to avoid damage to the environment:

- Cover the terminals of the battery with heavy-duty adhesive tape.
- DO NOT try to remove or destroy any of the battery pack components.
- DO NOT try to open the battery pack.
- If a leak develops, the released electrolytes are corrosive and toxic. DO NOT get the solution in the eyes or on skin, and do not swallow it.
- DO NOT put these batteries in your regular household trash.
- DO NOT incinerate.
- DO NOT put them where they will become part of any waste landfill or municipal solid waste stream.
- Take them to a certified recycling or disposal center.

GLOBGRO AB, Globe Group Europe guarantees this product's functionality for a period of two years (from date of purchase). The guarantee covers serious faults relating to materials or manufacturing faults. Within the guarantee period, we will replace the product or repair it at no charge if the following terms are met:

- The mower and the charging station may only be used in compliance with the instructions in this operator manual.
- Users or non-authorized third parties must not attempt to repair the product.

Examples of faults which are not included in the guarantee:

- Damage caused by lightning.
- Damage caused by improper battery storage or battery handling.
- Damage caused by using a battery that is not a original battery.
- Damage caused by not using original spare parts and accessories, such as blades and installation material.
- Damage to the loop wire.

The blades are seen as disposable and are not covered by the guarantee.

If a fault occurs with your mower, please contact the dealer for further instructions. Have your receipt and product serial number to hand for quicker assistance.

Les pages suivantes contiennent d'importantes instructions de sécurité et d'utilisation

Lisez attentivement et passez en revue toutes les instructions de sécurité, les avertissements et les mises en garde contenus dans ce manuel.

Le fait de ne pas lire et de ne pas suivre ces instructions, avertissements et mises en garde peut entraîner des blessures graves ou la mort de personnes et d'animaux domestiques ou des dommages aux biens personnels.

Les matériaux, les données techniques et les illustrations de ce manuel sont fournis à titre indicatif et ne sont pas légalement contraignants. Le fabricant se réserve le droit d'apporter toute modification aux caractéristiques techniques et à toutes les fonctions relatives à l'opération, aux matériaux, aux données techniques ou aux illustrations sans préavis.

Matières

Sécurité du produit	4	Entretien	21
Lisez le manuel d'opérateur	4	Retrait du corps du châsis	21
Sécurité de l'opération	7	Nettoyage	21
Déballage du produit	8	Remplacement des lames	22
Installation	9	Entretien de la batterie	22
Planification de la configuration et de la préparation	9	Remplacement de la batterie	23
Installation et raccordement de la station de recharge	10	Rangement hivernal de la tondeuse	24
Emplacement de la station de recharge comme suit	10	Remisage hivernal de la station de recharge	24
Raccordement à la source d'alimentation	11	Dépannage	25
Charge initiale de la batterie	12	Voyants del sur la tondeuse	25
Installation du câble de périmètre	13	Symptômes	26
Installation d'un câble guide	16	Ruptures dans le câble de périmètre et le câble guide	26
Calibrage et démarrage initial	18	Données techniques	27
Utilisation	19	Protection de l'environnement	29
Démarrer et arrêter la tondeuse	19	Conditions de garantie	30
Éteindre la tondeuse	19		
Ajustement de la hauteur de coupe	19		
Soulever et transporter la tondeuse à gazon	20		
Jumelage d'une application mobile à une tondeuse	20		

De plus amples informations sont disponibles sur le site web, en complément de ce manuel de l'opérateur :
www.optimow.com

EXPLICATION DES SYMBOLES SUR LA TONDEUSE



Il s'agit d'un outil électrique dangereux. Faites preuve de prudence lors de l'utilisation et respectez toutes les consignes de sécurité et les avertissements.

Lisez attentivement le manuel d'utilisation avant d'utiliser la tondeuse.



Retirez la clé de sécurité avant de travailler sur la tondeuse ou de la soulever.



Risque de projection d'objets pendant l'opération.

Gardez une distance sécuritaire par rapport à la tondeuse lorsque vous l'utilisez et tenez les personnes, en particulier les enfants, les animaux domestiques et les passants à l'écart de la zone où la tondeuse est utilisée.



Ne montez pas sur la tondeuse.



Appareil de classe III

LISEZ LE MANUEL D'OPÉRATEUR

Les symboles suivants sont importants pour la lecture et la compréhension du mode d'emploi.



Portez des gants de protection

Le système suivant est utilisé dans le manuel de l'opérateur afin de le rendre plus facile à comprendre :

- **AVERTISSEMENT!** Les textes d'avertissement alertent les utilisateurs et les consommateurs sur l'existence et la nature des dangers afin qu'ils puissent prévenir les blessures par un comportement approprié lors de l'utilisation du produit.
- **MISE EN GARDE :** Les textes de mise en garde alertent les utilisateurs et les consommateurs sur l'existence et la nature des risques liés au produit afin qu'ils puissent éviter d'endommager le produit par un comportement approprié lors de l'utilisation du produit.
- **REMARQUE :** Les remarques fournissent aux utilisateurs et aux consommateurs des informations complémentaires sur l'utilisation des produits.
- Les textes écrits en **italique gras** renvoient à une autre section du manuel de l'opérateur.
- Les textes écrits en **gras** renvoient aux réglages de la tondeuse.

IMPORTANT

LISEZ ATTENTIVEMENT LES INSTRUCTIONS AVANT DE L'UTILISER! CONSERVEZ LE MANUEL POUR RÉFÉRENCE FUTURE!

Formation

AVERTISSEMENT! Tondeuse à gazon automatique! Ne vous approchez pas de la machine! Surveillez les enfants!

- Veuillez lire attentivement les instructions. Familiarisez-vous avec les commandes et l'utilisation correcte de la machine.
- Ne permettez jamais à des personnes non familières avec ces instructions ou à des enfants d'utiliser l'appareil. La réglementation locale peut imposer des restrictions sur l'âge de l'utilisateur.
- L'opérateur ou l'utilisateur est responsable des accidents ou des dangers survenant à d'autres personnes ou à leurs biens.

Préparation

- Veillez à l'installation correcte des câbles de périmètre et de guide conformément aux instructions.
- Inspectez périodiquement l'endroit où la machine doit être utilisée et enlevez toutes les pierres, les bâtons, les fils, les os et autres objets étrangers.
- Effectuez périodiquement une inspection visuelle pour vous assurer que les lames, les boulons des lames et l'ensemble des couteaux ne sont ni usés ni endommagés. Remplacez les lames et les boulons usés ou endommagés par ensembles afin de préserver l'équilibre.

Généralités

- Ne faites jamais fonctionner la machine avec des boucliers défectueux, ou sans dispositifs de sécurité en place, par exemple le corps de la tondeuse.
- Ne mettez pas les mains ou les pieds près ou sous des pièces rotatives.
- Ne jamais prendre ou transporter une machine lorsque le moteur est en marche.
- Retirer (ou faire fonctionner) le dispositif de désactivation de la machine
 - avant d'enlever des obstructions ;
 - avant de vérifier la machine, de la nettoyer ou de travailler sur elle.
- Ne laissez pas la machine fonctionner sans surveillance si vous savez qu'il y a des animaux domestiques, des enfants ou des personnes à proximité.

Entretien et rangement

- Maintenez tous les écrous, boulons et vis serrés pour vous assurer que la machine est en bon état de fonctionnement.
- Remplacez les pièces usées ou endommagées par mesure de sécurité.
- Assurez-vous que seuls des moyens de coupe de remplacement du bon type sont utilisés.
- Assurez-vous que les batteries sont chargées à l'aide du chargeur approprié recommandé par le fabricant. Une utilisation incorrecte peut entraîner une décharge électrique, une surchauffe ou une fuite de liquide corrosif de la batterie.
- En cas de fuite d'électrolyte, rincez à l'eau/agent neutralisant, demandez une aide médicale s'il entre en contact avec les yeux, etc.
- L'entretien de la machine doit être effectué conformément aux instructions du fabricant.

PROPOSITION 65

Ce produit contient un produit chimique connu dans l'état de Californie comme étant une cause de cancer, de malformations congénitales ou d'autres problèmes de reproduction. Certaines poussières produites par le ponçage mécanique, le sciage, le meulage, le perçage et d'autres activités de construction contiennent des produits chimiques connus pour causer le cancer, des malformations congénitales ou d'autres problèmes de reproduction. Voici quelques exemples de ces produits chimiques :

- Plomb provenant de peintures à base de plomb;
- Silice cristalline provenant de briques, de ciment et d'autres produits de maçonnerie;
- Arsenic et chrome provenant de bois traité chimiquement.

Votre risque d'exposition à ces produits chimiques varie selon la fréquence à laquelle vous faites ce type de travail. Pour réduire votre exposition à ces produits chimiques, travaillez dans un endroit bien ventilé et utilisez un équipement de sécurité approuvé, comme des masques anti-poussière spécialement conçus pour filtrer les particules microscopiques.

RÈGLEMENT PARTICULIER

Cet appareil est conforme à la partie 15 des règles de la FCC. Le fonctionnement dépend des deux conditions suivantes :

Le système suivant est utilisé dans le manuel de l'opérateur afin de le rendre plus facile à comprendre :

- Cet appareil ne devrait pas causer d'interférence.
- Cet appareil doit accepter toute interférence reçue, y compris une interférence pouvant provoquer une opération non souhaitée.

MISE EN GARDE : Tout changement ou toute modification non expressément approuvée par la partie responsable de la conformité pourrait annuler le droit de l'utilisateur d'utiliser l'équipement.

Cet appareil a été testé et jugé conforme aux limites des appareils numériques de classe B, en vertu des normes de la Partie 15 du FCC. Ces limites sont conçues pour apporter une protection contre les brouillages préjudiciables dans un quartier résidentiel. Cet appareil génère, utilise et émet une énergie de fréquence radio, et s'il n'est pas utilisé et utilisé conformément aux instructions, il peut causer des brouillages préjudiciables avec la réception de la radio ou de la télévision. La réception peut être réglée en allumant ou en éteignant l'appareil, nous invitons l'utilisateur à essayer de corriger l'interférence en effectuant les actions suivantes :

- Réorientez ou déplacez l'antenne de réception.
- Augmentez la distance entre l'appareil et le récepteur.
- Branchez l'appareil dans une prise ou à un réseau différent de celui où le récepteur est branché.
- Consultez le vendeur ou un expert en installation radio/télé pour obtenir de l'aide.

Pour satisfaire aux exigences de la FCC en matière d'exposition aux radiofréquences, une distance de séparation de 20 cm ou plus doit être maintenue entre l'antenne de cet appareil et les personnes pendant le fonctionnement de l'appareil.

Pour assurer la conformité, il n'est pas recommandé d'effectuer des opérations à une distance inférieure à cette distance

CONSIGNES IMPORTANTES DE SÉCURITÉ

Lors de l'utilisation de produits électriques, des précautions de base doivent toujours être prises, notamment les suivantes :

- 1** LISEZ ET SUIVEZ TOUTES LES CONSIGNES DE SÉCURITÉ.
- 2** Lisez et suivez toutes les instructions qui figurent sur le produit ou qui sont fournies avec le produit.
- 3** Pour un appareil à cordon d'alimentation ou à branchement direct, n'utilisez pas de rallonge.
- 4** Référez-vous au National Electrical Code, NFPA 70, spécifiquement pour l'installation du câblage et les dégagements des conducteurs de puissance et d'éclairage.
- 5** Les travaux d'installation et le câblage électrique doivent être effectués par une ou plusieurs personnes qualifiées conformément à tous les codes et toutes les normes applicables, y compris pour les produits à indice de résistance au feu.
- 6** Dans le cas d'un appareil à cordon d'alimentation ou à branchement direct, ne l'installez pas ou ne l'utilisez pas à moins de 3 m (10 pi) d'une piscine.
- 7** Pour un appareil à branchement direct ou par cordon, ne pas utiliser dans une salle de bain
- 8** **AVERTISSEMENT : Risque de décharge électrique.** En cas d'utilisation à l'extérieur, ne l'installez que sur une prise couverte de classe A avec disjoncteur de fuite à la terre (GFCI), résistante aux intempéries et où le bloc d'alimentation est connecté à la prise. S'il n'y en a pas, contactez un électricien qualifié pour une installation correcte. Veillez à ce que le bloc d'alimentation et le cordon ne gênent pas la fermeture complète du couvercle de la prise.
- 9** **AVERTISSEMENT! Risque d'incendie.** L'installation implique des méthodes de câblage spéciales pour faire passer le câblage à travers la structure d'un bâtiment. Consultez un électricien qualifié.
- 10** **AVERTISSEMENT : Le câblage de sortie d'un bloc d'alimentation de plus de 2 m (6 pi) de long peut présenter un risque d'incendie, de décharge électrique ou de blessure.**

CONSERVEZ CES INSTRUCTIONS – Ce manuel contient d'importantes instructions de sécurité et de fonctionnement pour les unités de puissance.

SÉCURITÉ DE L'OPÉRATION

Ce manuel d'utilisation contient toutes les informations de base concernant l'utilisation et l'entretien sûrs de la tondeuse.



Lisez attentivement toutes les précautions de sécurité et les instructions contenues dans ce manuel d'utilisation avant d'utiliser la tondeuse. Conservez ce manuel d'utilisation pour référence ultérieure. Suivez les instructions du fabricant concernant l'installation, le fonctionnement, l'entretien et la réparation.



Cette tondeuse est conçue pour tondre l'herbe dans des zones dégagées et plates. N'utilisez que le matériel recommandé par le fabricant. Tous les autres types d'utilisation sont incorrects.

La tondeuse n'est pas destinée à être utilisée par des personnes (y compris des enfants) dont les capacités physiques, sensorielles ou mentales sont réduites ou qui manquent d'expérience et de connaissances, sauf si elles ont été supervisées ou ont reçu des instructions concernant l'utilisation de l'appareil par une personne responsable de leur sécurité.

Les enfants doivent être surveillés pour s'assurer qu'ils ne jouent pas avec l'appareil.

La tondeuse ne doit être utilisée, entretenue et réparée que par des personnes qui comprennent parfaitement ses caractéristiques particulières et les règles de sécurité.

Démarrez la tondeuse conformément aux instructions. Lorsque la clé de sécurité se trouve en position **Activée**, gardez vos mains et vos pieds éloignés des lames en rotation.

Ne mettez jamais vos mains et vos pieds sous la tondeuse.

Ne modifiez pas la conception originale de la tondeuse. Toute modification annule la garantie.

Éteignez la tondeuse en utilisant le bouton STOP de la tondeuse lorsque des personnes, en particulier des enfants, ou des animaux se trouvent dans la zone de coupe. Il est recommandé de programmer la tondeuse afin qu'elle puisse être utilisée pendant les heures où la zone est libre de personnes ou d'animaux.

Retirez les objets comme les branches, les jouets, les pierres et les outils qui peuvent endommager les lames de la zone d'opération. La tondeuse peut s'accrocher à des objets dans la zone de travail et une aide peut être nécessaire pour retirer l'objet avant que la tondeuse puisse continuer à tondre.

Ne soulevez jamais la tondeuse ou ne la transportez jamais lorsque la clé de sécurité insérée.

Éteignez toujours la tondeuse en utilisant le bouton STOP lorsque la tondeuse n'est pas utilisée. La tondeuse ne peut démarrer que lorsque la clé de sécurité est insérée et que la touche START est enfoncée.

L'alarme intégrée est très bruyante. Faites attention, surtout si la tondeuse est manipulée à l'intérieur.

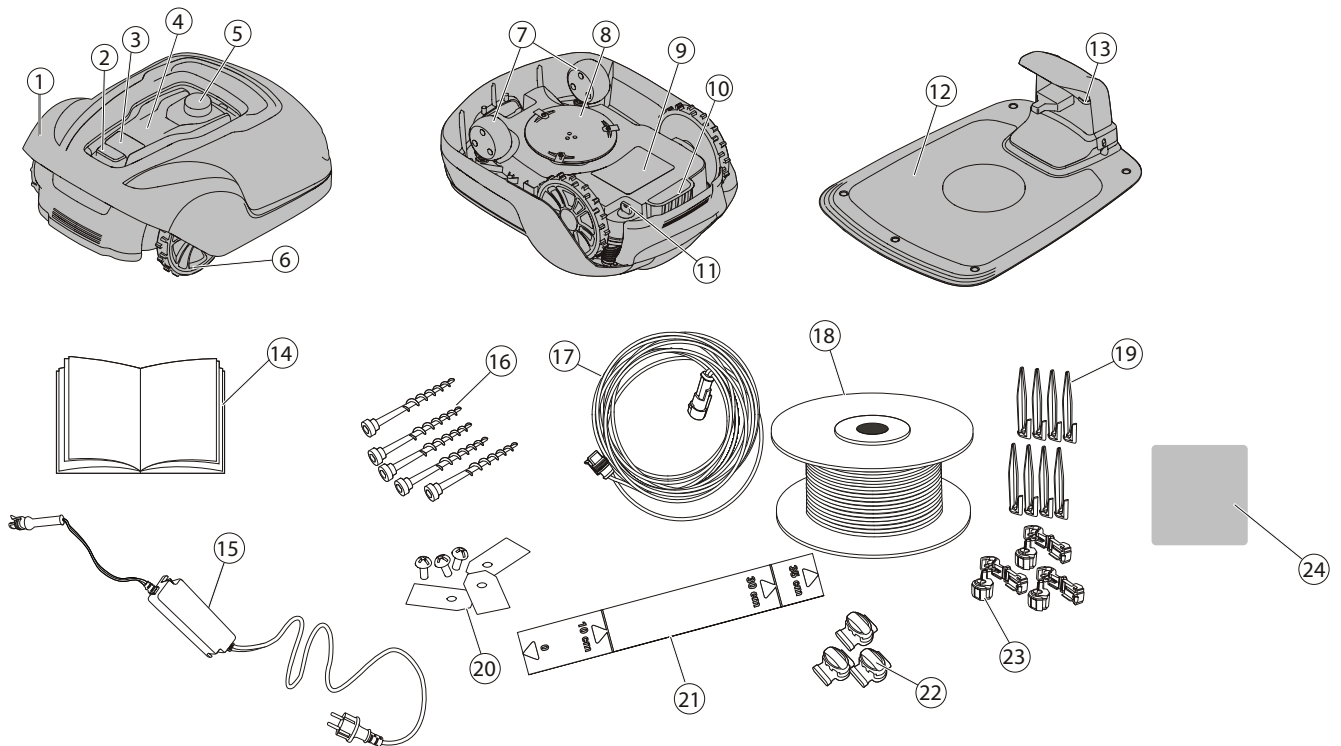
N'utilisez pas la tondeuse avec un disque de lame ou un corps défectueux.

Ne laissez pas les personnes qui ne connaissent pas le fonctionnement et le comportement de la tondeuse l'utiliser.

Ne mettez rien sur le dessus de la tondeuse ou de sa station de recharge.

Portez toujours des gants de protection lorsque vous manipulez les lames de la tondeuse.





- | | |
|---|---|
| <ul style="list-style-type: none"> 1 Couverture amovible 2 Bouton d'arrêt 3 Bouton de démarrage 4 Témoins DEL 5 Réglages de hauteur de coupe 6 Roues arrière 7 Roues avant 8 Disque de lame 9 Couverture de la batterie 10 Poignée de transport 11 Clé de sécurité 12 Station de recharge | <ul style="list-style-type: none"> 13 DEL pour le contrôle du fonctionnement 14 Manuel d'utilisation et guide rapide 15 Alimentation électrique* 16 Vis pour la fixation de la station de recharge (x5) 17 Câble basse tension 18 Boucle pour le câble de périmètre et le câble guide 19 Piquets de câble 20 Lames et vis supplémentaires (x3) 21 Règle (à détacher du dessus de la boîte) 22 Connecteurs d'épissure et de guide 23 Connecteurs de boucle de câble 24 Étiquette de câble. G1 et G2 = câble guide 1 et 2. BL et BR = câble de périmètre gauche et droite |
|---|---|

* L'apparence de l'alimentation électrique peut varier en fonction du marché.

Déballer la tondeuse et le matériel d'installation. Veillez à ce que toutes les pièces indiquées dans la figure 1 soient présentes et non endommagées. Contactez votre détaillant si des articles sont manquants ou endommagés.

Conservez le Guide rapide dans un endroit sûr, car il contient le code d'appariement unique de votre tondeuse.

Prenez connaissance de l'ensemble de la section avant de commencer l'installation. L'installation affecte la capacité de la tondeuse.

Planifiez soigneusement l'installation.

Voici les principales tâches de l'installation :

- Planification de la configuration et de la préparation
- Installation et raccordement de la station de recharge
- Raccordement à la source d'alimentation
- Charge initiale de la batterie
- Installation du câble de périmètre
- Installation du câble guide
- Calibrage et démarrage initial

PLANIFICATION DE LA CONFIGURATION ET DE LA PRÉPARATION

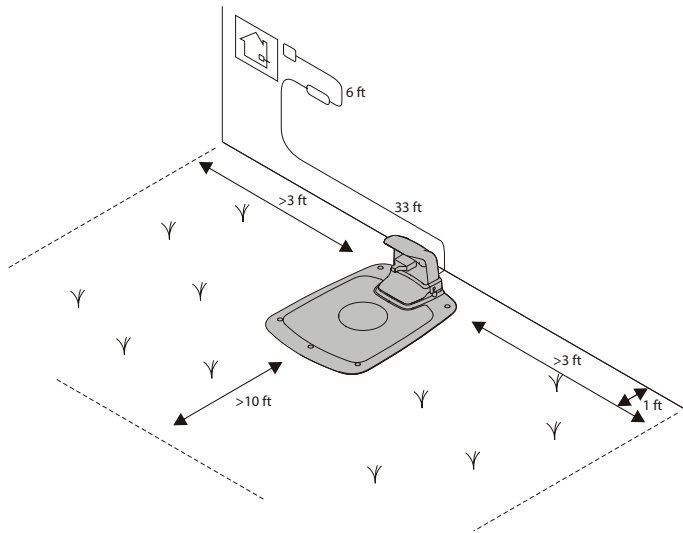
Assurez-vous que les conditions suivantes existent dans la zone de travail où la tondeuse sera utilisée :

- L'herbe est plus courte que 10 cm (4 po).
- Il n'y a pas de pierres, de morceaux de bois, de fils, de câbles électriques sous tension ou d'autres éléments dans la zone de travail.
- La zone de travail est régulière et ne comporte pas de fossés, de creux et de pentes raides supérieures à 35 %.

Les outils suivants sont nécessaires pour l'installation, mais ne sont pas inclus :

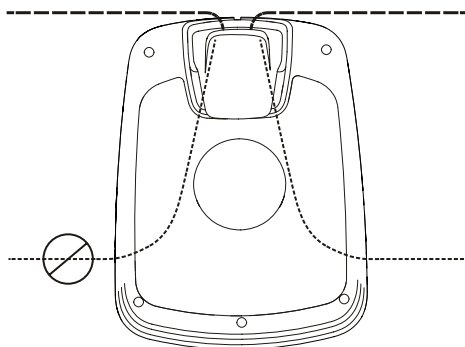
- Marteau/maillet en caoutchouc pour enfoncer les piquets dans le sol
- Pince universelle pour couper le câble de périmètre
- Pince multiprise pour pincer ensemble les coupleurs
- Clé hexagonale, 6 mm pour fixer la station de recharge à la masse

INSTALLATION ET RACCORDEMENT DE LA STATION DE RECHARGE



Emplacement de la station de recharge comme suit :

- Dans un endroit plat, à l'abri de la lumière directe du soleil (l'extrémité avant de la station de recharge ne doit pas être plus haute ou plus basse de 5 cm ou 2 po de l'extrémité arrière).
- À portée de main d'une prise de courant murale (le câble à basse tension mesure 10 m ou 33 pi de long).
- Avec un dégagement d'au moins 3 m devant et 1 m de chaque côté (ou 10 pi à l'avant et 3 pi de chaque côté) (Ne pas placer dans des espaces confinés dans la zone de travail).



La totalité de la station de recharge doit se trouver à l'intérieur de la zone de travail, comme indiqué sur la figure.

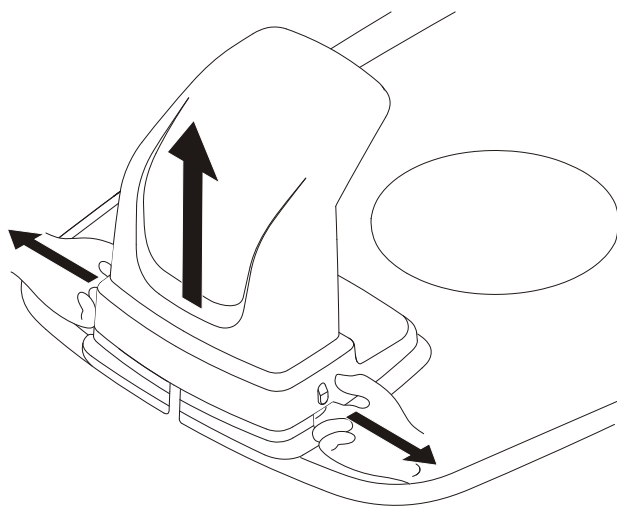
RACCORDEMENT À LA SOURCE D'ALIMENTATION

Branchez l'alimentation électrique dans un environnement frais et sec, à l'abri de la lumière directe du soleil.

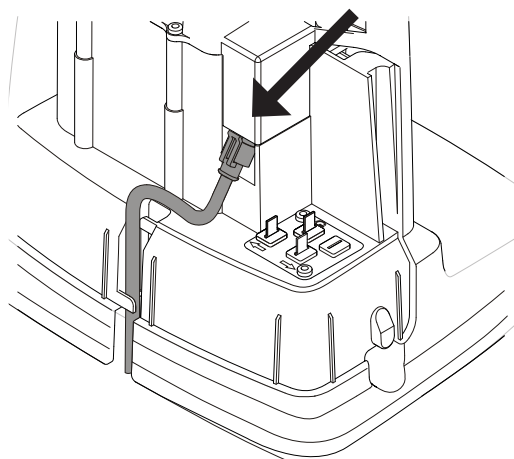
Si l'alimentation électrique est connectée à une prise de courant à l'extérieur, celle-ci doit être approuvée pour un usage extérieur.

Le câble basse tension peut traverser la zone d'opération s'il est agrafé ou enterré.

MISE EN GARDE : Ne pas couper, épisser ou modifier le câble basse tension. La modification du câble basse tension annule la garantie du produit.



Retirez le couvercle de protection de la station de recharge en appuyant sur les languettes de chaque côté de la base et en soulevant le couvercle.

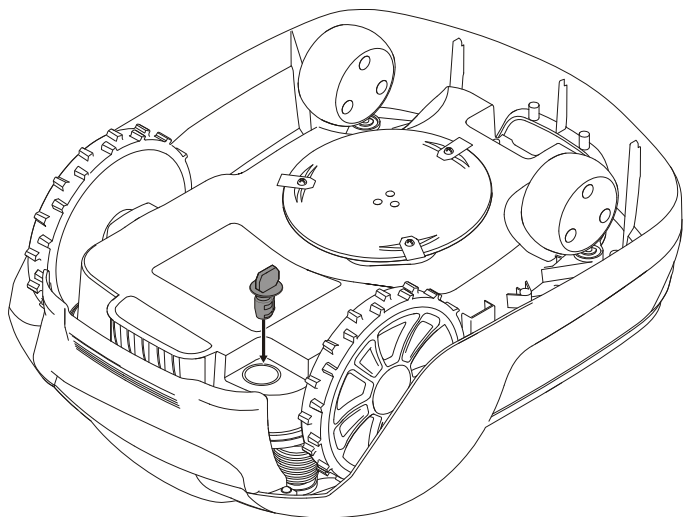


Connectez le câble basse tension à la station de recharge.

Enfilez le câble basse tension derrière les languettes pour le maintenir en place dans la station de recharge.

Branchez le câble d'alimentation électrique à une prise murale de 100-120 V.

CHARGE INITIALE DE LA BATTERIE

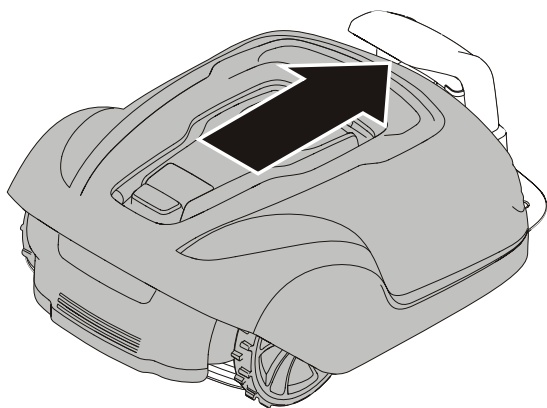


Insérez la clé de sécurité dans le dessous de la tondeuse et tournez-vous vers la position **Activée**.



Placez la tondeuse dans la station de recharge pendant la pose des câbles de périmètre et de guide.

La tondeuse ne peut pas être utilisée avant que l'installation soit terminée.



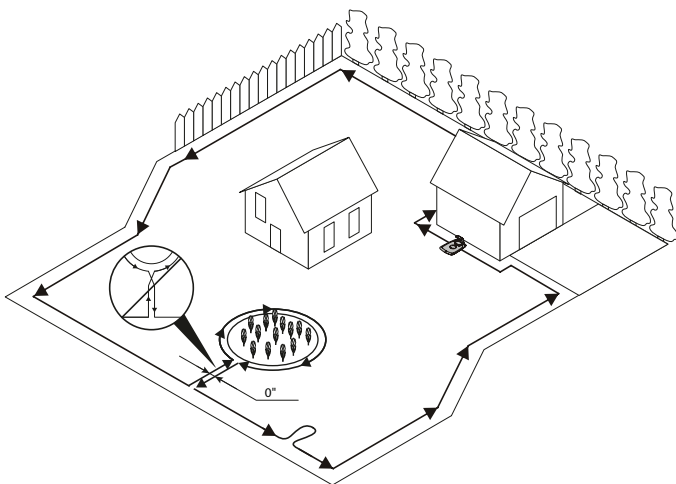
INSTALLATION DU CÂBLE DE PÉRIMÈTRE

Lors de l'installation du câble de périmètre, il faut tenir compte d'un certain nombre de situations décrites dans le tableau ci-dessous.

Tableau 1. Traitement des écarts et des obstacles dans la zone de travail

VARIATION AU SEIN DE LA ZONE DE TRAVAIL	PLANIFICATION DU CÂBLE DE PÉRIMÈTRE
Obstacles fixes au niveau de la pelouse que la tondeuse peut traverser (chemins de pavés ou similaires)	Posez le câble de périmètre sous les pavés ou dans le joint entre les pavés. Ne faites jamais passer la tondeuse sur du gravier, du paillis ou tout autre matériau similaire qui pourrait endommager les lames.
Obstacles fixes d'une hauteur de ± 1 cm (0,4 po)	Posez le câble de périmètre à 10 cm (4 po) de l'obstacle.
Obstacles fixes mesurant entre 1 cm et 5 cm (0,4 po et 2 po) de hauteur (petits fossés, parterres de fleurs ou bordures basses)	Posez le câble de périmètre à 30 cm (12 po) de l'obstacle.
Obstacles fixes de 5 cm (2 po ou plus) (clôtures ou murs)	Posez le câble de périmètre à 36 cm (14 po) de l'obstacle.
Obstacles fixes de plus de 15 cm (6 po) de hauteur pouvant résister à une collision (arbres ou arbustes)	Aucune mesure n'est requise. La tondeuse se retourne lorsqu'elle entre en collision avec ce type d'obstacle.
Les obstacles fixes légèrement inclinés comme les pierres ou les grands arbres à racines surélevées	Posez le câble de périmètre à 30 cm (12 po) de l'obstacle ou retirez celui-ci.
Fixer les obstacles qui ne peuvent pas résister à une collision	Posez le câble de périmètre à 30 cm (12 po) de l'obstacle et autour de celui-ci, puis faites-le revenir par le même chemin.
Passages longs et étroits et zones d'une largeur inférieure à 1,5 m (5 pi)	Installation du câble guide.
Délimite une pente, une route, un précipice ou de l'eau	Compléter le câble de périmètre par une barrière physique d'au moins 15 cm (6 po) de haut.
Pente jusqu'à 35 % dans la zone de travail	Aucune mesure n'est requise. La tondeuse peut fonctionner jusqu'à une pente ascendante de 35 % tant que la pente n'est pas à la limite de la zone de travail.
Pente inférieure à 15 % en bordure de la zone de travail	Posez le câble de périmètre comme d'habitude.
Pente dénivelée à 15 % en bordure de la zone de travail	Ne posez pas de câble de périmètre, sauf s'il existe un obstacle fixe (clôture ou mur) pour empêcher la tondeuse de quitter la zone de travail. Lorsqu'une partie du bord extérieur de la zone de travail présente une pente supérieure à 15 %, posez le câble de périmètre sur un distance de 20 cm (7,8 po) sur le sol plat avant le début de la pente.

REMARQUE : Le dénivelé de la pente est défini en unités de pourcentage (%). La pente en unité de pourcentage est calculée comme la différence d'élévation en po pour chaque 25 cm (10 po). Si, par exemple, la différence d'élévation est de 2,5 cm (1 po), la pente est de 10 %.



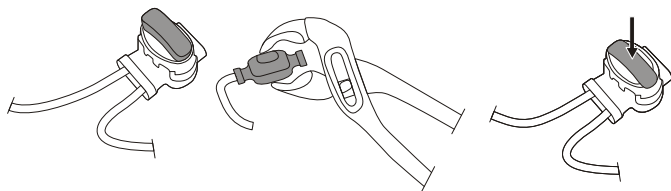
Fixez temporairement l'extrémité de la boucle de câble à un piquet ou à un autre objet de la station de recharge.

Disposez la boucle de câble dans le sens inverse des aiguilles d'une montre uniquement la limite prévue de la zone de travail en tenant compte des règles du tableau 1 jusqu'à ce que vous reveniez à la station de recharge.

Si vous allez installer un câble guide, créez un œillet avec environ 20 cm (8 po) de câble de périmètre supplémentaire à l'endroit où le câble guide sera plus tard connecté.

Consulter **Installation d'un câble guide** à la page 16 pour plus d'informations.

Si le câble de périmètre est trop court, utilisez les connecteurs du câble guide et de l'épissure fournis pour épisser le câble de périmètre supplémentaire comme suit :



- 1 Insérez les deux extrémités du câble de périmètre dans le connecteur de l'épissure et du câble guide. Vérifiez que les câbles sont entièrement insérés dans le connecteur de l'épissure et du câble guide de sorte que les extrémités soient visibles à travers le connecteur de l'épissure et du câble guide.
- 2 Appuyez sur le bouton situé au sommet de l'épissure et guidez le connecteur du câble entièrement à l'intérieur à l'aide d'une pince multiprise jusqu'à ce que vous entendiez un clic.

Posez la bobine de boucle de câble à la station de recharge.

Retournez à la limite de la zone de travail et fixez le câble de périmètre à l'aide de piquets ou enterrez-le dans le sol. Il est recommandé d'utiliser des piquets, car cela permet de faire des ajustements pendant les premières semaines d'activité.

Lors de la fixation du câble de périmètre avec des piquets :

- Coupez l'herbe très bas avec une tondeuse à gazon standard ou un coupe-bordure à l'endroit où le câble doit être posé.
- Posez le câble de périmètre sur le sol et fixez-le avec des piquets rapprochés.
- Poussez ou martelez les piquets dans le sol.

Ne poussez pas les piquets si profondément dans le sol qu'ils tendent le câble de périmètre.

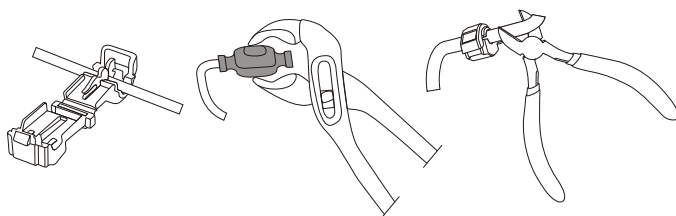
Au moment d'enfouir le câble de périmètre :

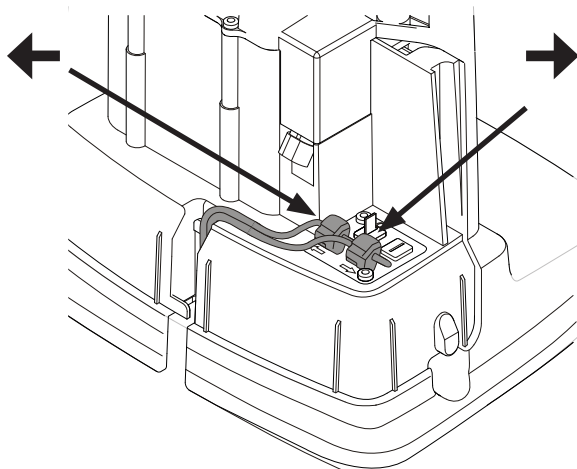
- Enfouissez le câble de périmètre entre 1 cm et 16 cm (0,4 po et 8 po) dans le sol.

Lorsque le câble de périmètre est complètement posé et fixé, installez les connecteurs des boucles d'extrémité de câble comme suit :

- 1 Ouvrez le connecteur de la boucle de câble et placez le câble dans la poignée du connecteur du fil de boucle.
- 2 Appuyez sur les connecteurs de la boucle de câble à l'aide d'une pince multiprise jusqu'à ce que vous entendiez un clic.

Coupez tout câble de périmètre excédentaire entre 1 cm et 2,5 cm (0,4 po à 1 po) au-dessus de chaque connecteur.



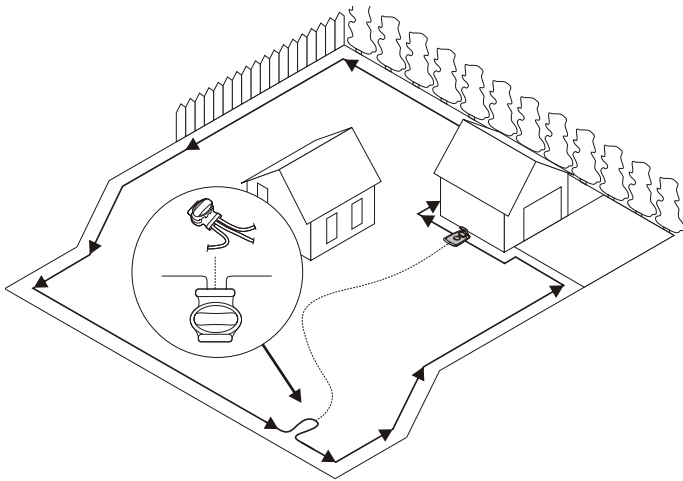


Connectez le câble de périmètre à la station de recharge comme suit :

- 1** Retirez le couvercle de protection de la station de recharge et faites passer le câble derrière les languettes dans le canal situé à l'arrière de la station de recharge.
- 2** Appuyez le connecteur sur les broches métalliques de la station de recharge (marquées par les flèches gauche et droite).

REMARQUE : Assurez-vous que le câble de périmètre situé à droite de la station de recharge est connecté à la flèche pointant vers la droite et à la même chose pour le côté gauche.

INSTALLATION D'UN CÂBLE GUIDE



La tondeuse utilise le câble guide optionnel pour retrouver son chemin vers la station de recharge, mais aussi pour trouver les zones difficiles d'accès de la zone de travail. Par exemple, le câble guide est posé entre la station de recharge et une partie éloignée de la zone de travail ou à travers un passage étroit.

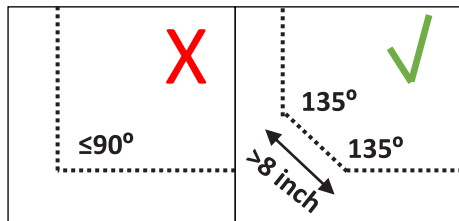
Pour les passages étroits (moins de 3 m ou 10 pi) ou pour réduire le temps de recherche, il est recommandé d'utiliser un câble guide.

Planifiez l'emplacement du câble guide avant de poser le câble de périmètre.

Utilisez le même rouleau de câble pour le câble de périmètre et le câble guide.

Le câble guide, comme le câble de périmètre, doit être fixé au sol avec des piquets ou enfouis.

Lorsque vous installez le câble guide sur une pente raide, posez le câble à un angle par rapport à la pente afin qu'il soit plus facile pour la tondeuse de suivre le câble guide sur la pente.



Ne posez pas le câble guide à des angles prononcés, sinon la tondeuse aura du mal à le suivre.

Ne posez pas le câble guide à moins de 30 cm (12 po) du câble de périmètre.

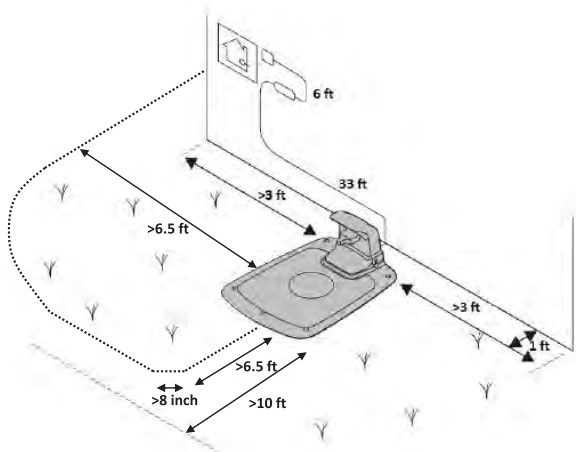
Ne posez pas le câble guide à travers le câble de périmètre.

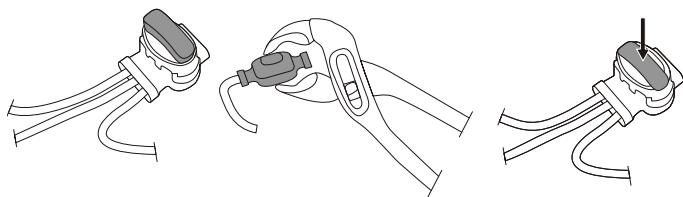
Posez le câble guide directement sous la plaque de charge dans le rail prévu à cet effet, puis à au moins 1,5 m (6,5 pi) du bord avant de la plaque.

Laissez autant d'espace que possible à gauche du câble guide (comme vu en faisant face à la station de recharge).

Faites passer le câble guide jusqu'à la boucle de câble de périmètre où le câble guide doit être connecté.

Coupez le câble de périmètre à l'aide de la pince universelle.





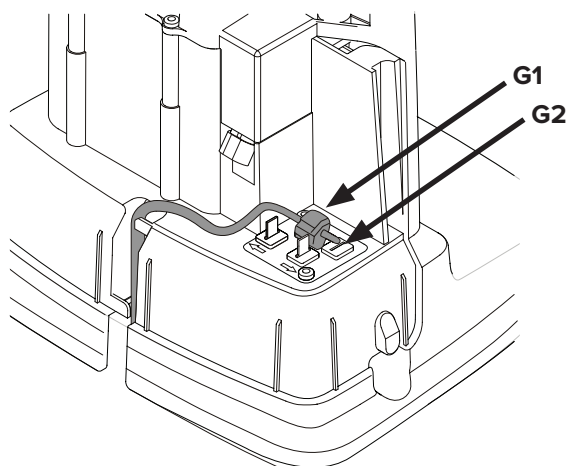
Insérez les deux extrémités du câble de périmètre ainsi que l'extrémité du câble guide dans le connecteur de l'épissure et du câble guide. Vérifiez que les câbles sont entièrement insérés dans le connecteur de l'épissure et du câble guide de sorte que les extrémités soient visibles à travers le connecteur de l'épissure et du câble guide.

Appuyez sur le bouton situé au sommet de l'épissure et guidez le connecteur du câble entièrement à l'intérieur à l'aide d'une pince multiprise jusqu'à ce que vous entendiez un clic.

Fixez l'épissure et les câbles de périmètre et le câble guide à l'aide de piquets ou en les enterrant.

Connectez le câble guide à la station de recharge comme suit :

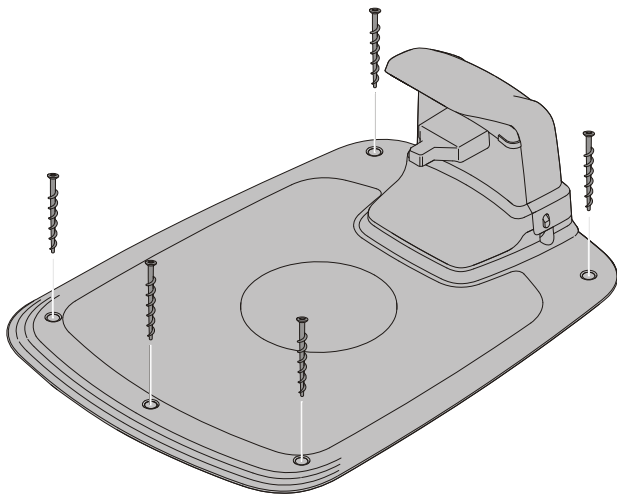
- 1 Retirez le couvercle de protection de la station de charge et enfiler le câble guide derrière les languettes dans le canal menant aux stations.
- 2 Connectez le câble guide à la broche de contact de la station de recharge qui est étiquetée **G1**.



Installation d'un second câble guide (not on all models):

- 1 Si vous avez plus d'un passage étroit ou un jardin compliqué, vous pouvez installer un deuxième câble guide. Pour ce faire, suivez les étapes d'installation d'un câble guide, à l'exception du branchement sur la broche de contact de la station de charge marquée **G2**.

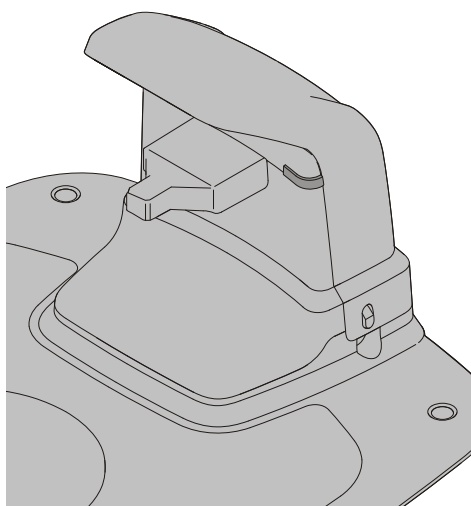
CALIBRAGE ET DÉMARRAGE INITIAL



Fixez la station de recharge au sol à l'aide des cinq vis de fixation fournies en utilisant une clé hexagonale de 6 mm.

REMARQUE : Ne faites pas de nouveaux trous dans la plaque de base de la station de recharge. Seuls les trous existants peuvent être utilisés pour fixer la plaque de base au sol.

REMARQUE : Ne marchez pas sur la plaque de base de la station de recharge.



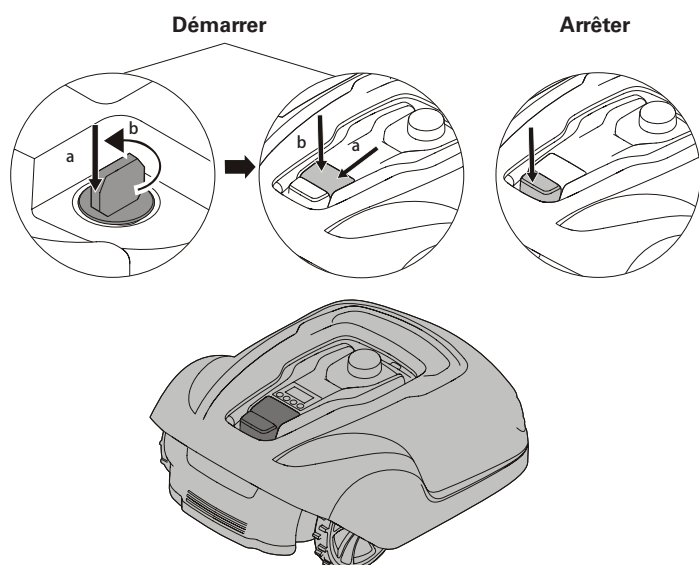
Vérifiez l'indicateur DEL de la station de recharge :

- L'indicateur DEL s'allume en vert continu si la tension de sortie de l'alimentation électrique est disponible et que le câble de périmètre n'est pas interrompu.

L'indicateur DEL ne s'allume pas lorsque la tension de sortie de l'alimentation électrique n'est pas disponible.

Si le voyant ne s'allume pas de manière continue ou verte, voir **Indicateurs DEL sur la station de recharge** à la page 24 pour le dépannage.

Couplez la tondeuse avec l'application mobile comme indiqué dans **Jumelage d'une application mobile à une tondeuse** à la page 19.

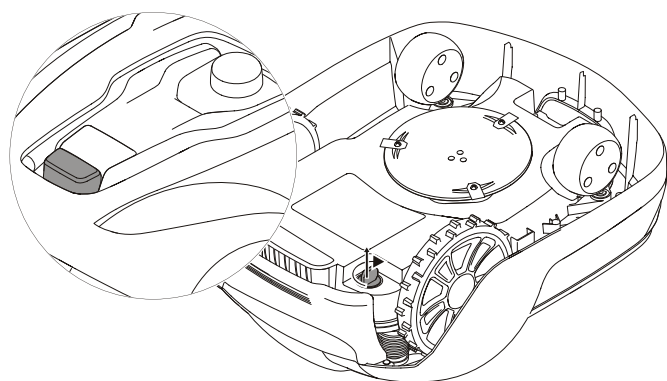
DÉMARRER ET ARRÊTER LA TONDEUSE

Pour démarrer la tondeuse :

- 1 Insérez la clé de sécurité et tournez dans le sens inverse des aiguilles d'une montre jusqu'à la position « 1 ».
- 2 Faites glisser le bouton de verrouillage **START** vers l'arrière.
- 3 Appuyez sur le bouton **START**.

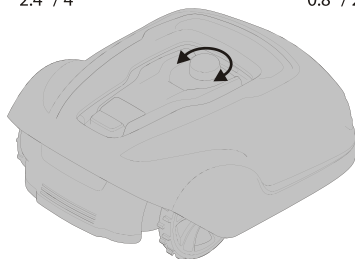
Pour arrêter la tondeuse :

Appuyez sur le bouton **STOP** sur la tondeuse.

ÉTEINDRE LA TONDEUSE

Appuyez sur le bouton **STOP** sur la tondeuse et retirez la clé de sécurité.

AVERTISSEMENT! Retirez toujours la clé de sécurité lorsque vous effectuez un entretien ou si la tondeuse doit être déplacée.

AJUSTEMENT DE LA HAUTEUR DE COUPE

Pour les premières semaines de tonte, réglez la hauteur de coupe à au moins 6 cm (2,4 po) pour éviter de couper le câble de périmètre et le câble guide. Par la suite, le réglage doit être abaissé d'un cran chaque semaine jusqu'à ce que la hauteur de coupe souhaitée soit atteinte.

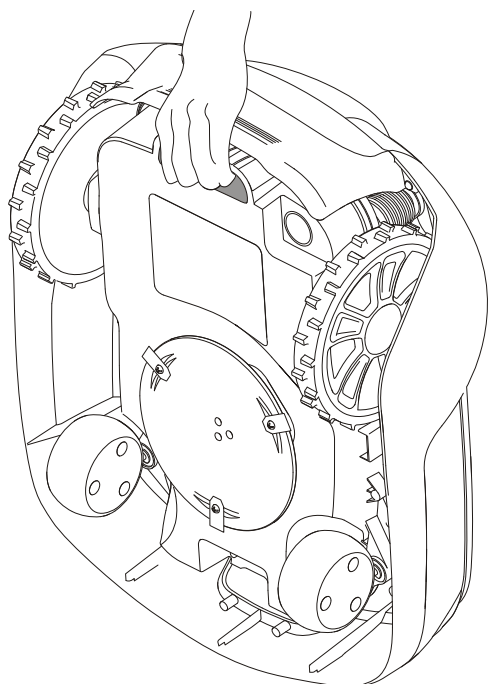
Tournez le bouton de réglage de la hauteur de coupe sur la position souhaitée. Le réglage choisi est le marquage sur le corps qui s'aligne sur la flèche du bouton.

Tournez dans le sens des aiguilles d'une montre pour augmenter la hauteur de coupe.

Tournez dans le sens inverse des aiguilles d'une montre pour diminuer la hauteur de coupe.

La hauteur de coupe de la tondeuse peut être réglée entre 2 cm et 6 cm (0,8 po et 2,4 po) pour les modèles 33 et 66 et entre 6 cm et 10 cm (2,4 po et 4 po) pour les modèles 33H et 66H.

SOULEVER ET TRANSPORTER LA TONDEUSE À GAZON



Appuyez sur le bouton **STOP** et retirez la clé de sécurité avant de la soulever.

Soulevez toujours la tondeuse à l'aide de la poignée de transport.

JUMELAGE D'UNE APPLICATION MOBILE À UNE TONDEUSE

Téléchargez le GreenGuide de Greenworks sur l'App Store/Google Play et suivez les instructions à l'écran pour savoir comment appairer la tondeuse. Ayez à portée de main le code d'appariement unique (qui se trouve sur le manuel du guide rapide) et la tondeuse.

MODE D'ÉCONOMIE D'ÉNERGIE

Si la tondeuse ne doit pas être utilisée pendant un certain temps, il est possible de choisir le mode de très basse consommation d'énergie en utilisant le commutateur « Mode d'économie d'énergie » sur la page des réglages de la tondeuse dans l'Application « Greenworks Tools ».

Lorsque le « Mode d'économie d'énergie » est sélectionné, la tondeuse se dirige vers la station de charge, charge la batterie et désactive à la fois la station de charge (la LED sera désactivée) et la tondeuse. La tondeuse désactivera également la connexion à l'application lorsque la tondeuse est en mode d'économie d'énergie.

Une fois que la batterie commencera à se charger, la tondeuse peut être réveillée uniquement en tirant la tondeuse hors de la station de charge et en la poussant à nouveau dans la station de charge.

AVERTISSEMENT! Portez des gants de protection lorsque vous manipulez ou travaillez à proximité de lames tranchantes.

AVERTISSEMENT! Avant de travailler sur la tondeuse elle-même, retirez la clé de sécurité.

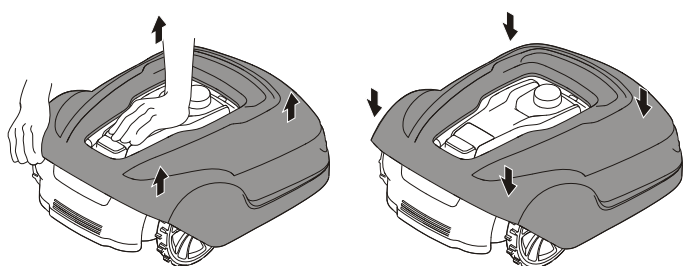
AVERTISSEMENT! Avant de travailler sur la station de charge ou sur l'alimentation électrique, retirez la prise de l'alimentation secteur.

- Inspectez visuellement la tondeuse régulièrement et remplacez les pièces usées ou endommagées par mesure de sécurité.
- Vérifier que les lames tournent librement
- Gardez tous les écrous, boulons et vis serrés pour vous assurer que la tondeuse est en état de fonctionnement sécuritaire.
- La durée de vie normale des lames est de 2 à 6 semaines lorsqu'elles sont utilisées à leur capacité maximale et plus longtemps pour les petites surfaces.

MISE EN GARDE : Les lames émoussées font que l'herbe est mal coupée, ce qui nécessite plus d'énergie et moins de temps entre les charges de batterie.

- Nettoyez la tondeuse régulièrement pour un fonctionnement optimal.

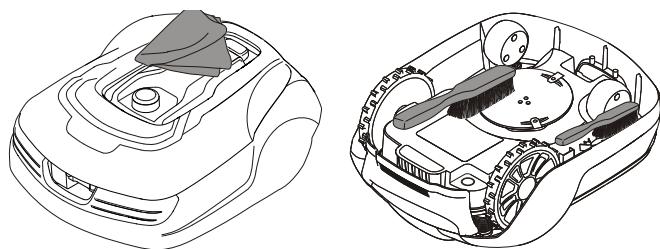
RETRAIT DU CORPS DU CHÂSSIS



Tenez la tondeuse d'une main et soulevez fermement l'un des coins de la carrosserie et répétez l'opération pour les quatre coins, jusqu'à ce que le corps se détache du châssis.

Remplacez le corps en l'alignant sur le châssis et appuyez fermement jusqu'à ce que vous entendiez le clic. Vérifiez que le corps est fermement fixé au châssis.

NETTOYAGE

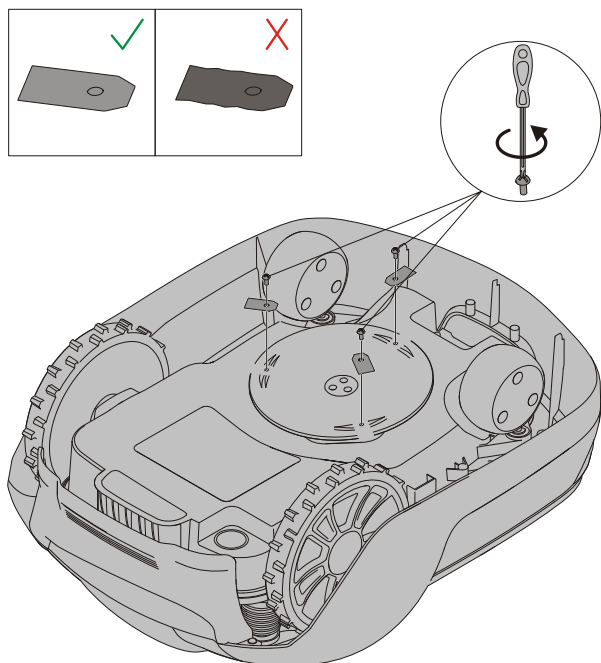


AVERTISSEMENT! Appuyez sur le bouton STOP et retirez la clé de sécurité avant le nettoyage.

Nettoyez soigneusement l'extérieur de la tondeuse à l'aide d'une brosse douce, d'un chiffon humide et d'un tuyau d'eau à basse pression, si nécessaire. Retirez le corps du châssis.

Tournez la tondeuse sur le côté et nettoyez la zone de la lame et les roues avec une brosse rigide ou un grattoir pour enlever les débris d'herbe compactée.

REPLACEMENT DES LAMES



AVERTISSEMENT! Appuyez sur le bouton STOP et retirez la clé de sécurité avant de remplacer les lames et portez des gants de protection.

AVERTISSEMENT! N'utilisez que la lame de GLOBE : 333092355

MISE EN GARDE : N'utilisez que des pièces de rechange d'origine.

Remplacez les trois lames et les vis comme un ensemble en même temps.

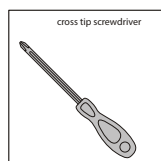
Retournez la tondeuse.

Desserrer les vis à l'aide d'un tournevis à lame droite ou à pointe cruciforme.

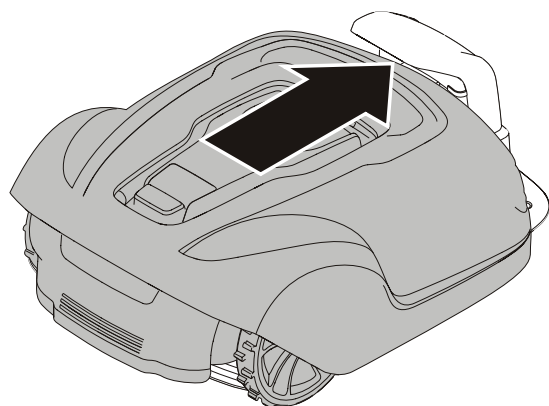
Retirez les lames et les vis.

Vissez les nouvelles lames à l'aide de nouvelles vis.

Vérifiez que les lames pivotent librement



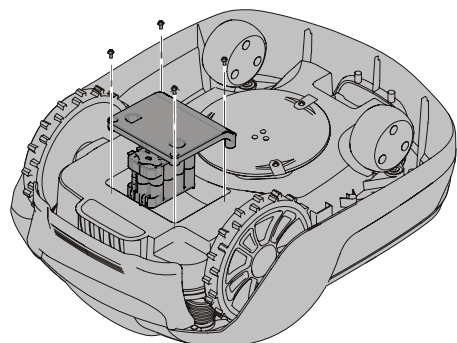
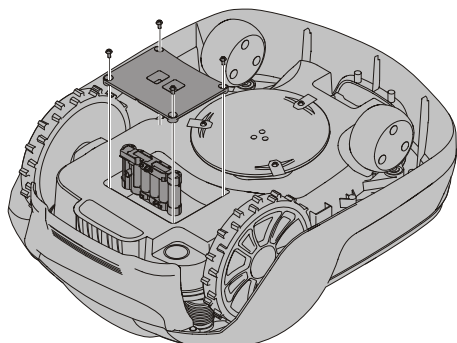
ENTRETIEN DE LA BATTERIE



AVERTISSEMENT! En cas de fuite d'électrolyte, rincez avec de l'eau/agent neutralisant et consultez un médecin si l'électrolyte entre en contact avec les yeux.

Ne chargez la batterie que dans la station de recharge d'origine. Une utilisation incorrecte peut entraîner une décharge électrique, une surchauffe, ou une fuite de liquide corrosif de la batterie.

La batterie est sans entretien, mais a une durée de vie limitée entre 2 et 4 ans selon la longueur de la saison et le nombre d'heures d'utilisation de la tondeuse par jour.

REPLACEMENT DE LA BATTERIE

AVERTISSEMENT! Appuyez sur le bouton STOP et retirez la clé de sécurité avant de remplacer les batteries et portez des gants de protection.

MISE EN GARDE : N'utilisez que des pièces de rechange d'origine.

Retournez la tondeuse et enlevez les quatre vis Torx T20 et retirez le couvercle des batteries.

Débranchez le connecteur de la borne de la batterie.

Soulevez la batterie directement vers l'extérieur.

Insérez la nouvelle batterie dans la case 1 (la case arrière).

Branchez le connecteur de la borne de la batterie à la nouvelle batterie.

Remettez le couvercle des batteries en place, puis insérez et serrez les quatre vis Torx T20.



Éliminez la vieille batterie conformément à la réglementation locale en matière d'environnement.

RANGEMENT HIVERNAL DE LA TONDEUSE

Nettoyez toujours la tondeuse avant de la ranger pour l'hiver.

Chargez complètement la batterie avant le stockage hivernal. Si la batterie n'est pas complètement chargée, elle peut être endommagée et, dans certains cas, devenir inutilisable.

MISE EN GARDE : Si la batterie n'est pas complètement chargée, elle peut être endommagée et, dans certains cas, devenir inutilisable.

Inspectez l'état des pièces pouvant s'user. Vérifiez que les lames sont bien aiguisées et que les lames et les roues avant tournent librement. Corrigez les lacunes éventuelles.

Rangez la tondeuse dans un endroit sec, à l'abri du gel et sur ses quatre roues.

REMISAGE HIVERNAL DE LA STATION DE RECHARGE

Si possible, débranchez le câble de périmètre et le câble guide de la station de recharge et rangez la station de recharge et l'alimentation électrique à l'intérieur.

Laissez le câble de périmètre et le câble guide en place dans le sol, mais protégez les extrémités des câbles de l'humidité en les raccordant à un coupleur d'origine ou en les mettant dans un conteneur avec de la graisse.

S'il n'est pas possible de ranger la station de recharge à l'intérieur, celle-ci doit rester connectée à la prise secteur, au câble de périmètre et aux câbles guide.

APRÈS LE REMISAGE HIVERNAL

Inspectez le contact de la tondeuse et de la station de recharge ainsi que les bandes de charge pour détecter toute corrosion, brûlure ou saleté. Si les bandes de charge ou de contact doivent être nettoyées, utilisez une toile d'émeri de qualité supérieure.

Cette section présente également certains symptômes qui peuvent vous guider si la tondeuse ne fonctionne pas comme prévu.

VOYANTS DEL SUR LA TONDEUSE



DEL	STATUT	SIGNIFICATION	ACTION
1. Fonctionnement (Vert)	Clignotant	Mode de récupération	Placez le robot dans la station de recharge pendant 5 heures maximum et attendez que le voyant DEL vert cesse de clignoter. Si le voyant DEL n'arrête pas de clignoter, redémarrez le robot à l'extérieur de la station de recharge et essayez à nouveau.
	On (Allumé)	Tondeuse en mode de fonctionnement (en charge, garée dans la station de recharge, en pause, en train de tondre ou de chercher)	
	Off (Arrêt)	La tondeuse est arrêtée par le bouton Stop sur la tondeuse, lorsque la clé de sécurité en position Désactivée, que la tondeuse en état d'erreur ou que la tondeuse en attente du code NIP.	
2. Connectivité (Bleu)	Clignotant	Tentative de connexion à un serveur Internet	
	On (Allumé)	Connectée à un serveur Internet	
	Off (Arrêt)	La tondeuse n'est pas en mode « Power On » (sous tension)	
3. Sécurité (Jaune)	Clignotant	Autorisation par code NIP requise	... par le biais de l'application mobile.
	Off (Arrêt)	Aucun NIP requis	Aucune action requise
4. Erreur (Rouge)	Clignotant	Tondeuse arrêtée par erreur	Vérifiez la raison de l'erreur, puis redémarrez en appuyant sur le bouton Start de la tondeuse.

INDICATEURS DEL SUR LA STATION DE RECHARGE

DEL	STATUT	SIGNIFICATION	ACTION
Vert	On (Allumé)	Câble de périmètre et station de charge OK	Aucune action requise.
Bleu	Clignotant	Câble de périmètre brisé ou non connecté	Vérifier et réparer le câble de périmètre.
Rouge	Clignotant	Défaut électronique dans la station de charge ou l'unité d'alimentation électrique	Veillez contacter votre revendeur
-	Hors service	Pas d'alimentation vers la station de charge ou de la tondeuse en mode d'économie d'énergie.	Vérifiez la tension principale. Référez-vous à la section « Mode économie d'énergie » à la page 20

SYMPTÔMES

Si votre tondeuse ne fonctionne pas comme prévu, suivez le guide de dépannage ci-dessous.

SYMPTÔMES	CAUSE	ACTION
La tondeuse éprouve des difficultés à s'amarrer à la station de charge	La station de recharge se trouve sur une pente.	Placez la station de recharge sur une surface entièrement plane. Voir Installation et raccordement de la station de recharge à la page 10.
	Le câble de périmètre n'est pas posé correctement par rapport à la station de recharge.	Vérifiez que la station de recharge et le câble de périmètre ont été correctement installés. Voir Installation et raccordement de la station de recharge à la page 10.
Résultats de tonte inégaux	La tondeuse travaille trop peu d'heures par jour.	Augmenter la durée de travail. Voir la fonction Horaires dans l'application mobile.
	La forme de la zone de travail nécessite des réglages manuels afin que la tondeuse se rende facilement vers toutes les zones éloignées.	Ajustez la couverture de la pelouse pour diriger la tondeuse vers une ou plusieurs zones éloignées. Voir la fonction Configuration dans l'application mobile.
	La forme de la zone de travail nécessite des réglages manuels afin que la tondeuse se rende facilement vers toutes les zones éloignées.	Essayez de limiter la zone de travail ou de prolonger la durée du travail. Voir la fonction Horaires dans l'application mobile.
	Les lames sont émoussées.	Remplacez toutes les lames et les vis afin que les parties rotatives soient en équilibre. Voir la section Remplacement des lames à la page 22.
	L'herbe s'accumule sur le disque de la lame ou autour de l'arbre du moteur.	Vérifiez que le disque à lames tourne facilement. Sinon, enlevez l'herbe et les objets étrangers. Voir Entretien à la page 21.
La tondeuse tond pendant des périodes plus courtes que d'habitude entre les charges	De l'herbe ou un autre corps étranger bloque le disque de la lame.	Enlevez l'herbe et les objets étrangers. Voir Entretien à la page 21.
	La batterie est usée.	Remplacez la batterie. Voir Remplacement de la batterie à la page 23.
Temps de tonte et de chargement plus courts que d'habitude	La batterie est usée.	Remplacez la batterie. Voir Remplacement de la batterie à la page 23.

RUPTURES DANS LE CÂBLE DE PÉRIMÈTRE ET LE CÂBLE GUIDE

Des ruptures du câble de périmètre et du câble guide (s'il est installé) sont généralement le résultat de dommages physiques non intentionnels.

Inspectez tout le câble de périmètre dans son intégralité, de la station de charge de l'aller au retour.

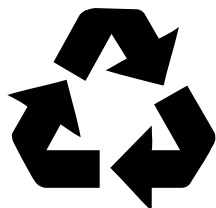
Inspectez le câble guide (s'il est installé) de la station de charge à l'épissure dans le câble de périmètre.

Vérifiez que tous les raccords ont été correctement serrés pour réaliser les connexions.

	Optimow 25H	Optimow 50H	Optimow 25	Optimow 50
Dimensions :				
Hauteur	31 cm (12,2 po)	31 cm (12,2 po)	26 cm (10,3 po)	26 cm (10,3 po)
Longueur	63,5 cm (25,0 po)	63,5 cm (25,0 po)	63 cm (24,8 po)	63 cm (24,8 po)
Largeur	51 cm (20,0 po)	51 cm (20,0 po)	50 cm (19,7 po)	50 cm (19,7 po)
Poids	12 kg (26,4 lb)	12 kg (26,4 lb)	11 kg (24,2 lb)	11 kg (24,2 lb)
Système électrique :				
Batterie, Batterie spéciale Lithium-Ion	24 V/2,0 Ah, Part No. 211022355	24 V/2,0 Ah, Part No. 211022355	24 V/2,0 Ah, Part No. 211022355	24 V/2,0 Ah, Part No. 211022355
	24V/4.0Ah, Part No. T0100273-00	24V/4.0Ah, Part No. T0100273-00	24V/4.0Ah, Part No. T0100273-00	24V/4.0Ah, Part No. T0100273-00
Alimentation électrique	100-120 V/29 V DC	100-120 V/29 V DC	100-120 V/29 V DC	100-120 V/29 V DC
Longueur du câble basse tension	10 m (33 pi)	10 m (33 pi)	10 m (33 pi)	10 m (33 pi)
Consommation moyenne d'énergie à l'utilisation maximale	10 kWh/mois pour une zone de travail de 1 000 m ² (1/4 acre)	12 kWh/mois pour une zone de travail de 2 000 m ² (1/2 acre)	10 kWh/mois pour une zone de travail de 1 000 m ² (1/4 acre)	12 kWh/mois pour une zone de travail de 2 000 m ² (1/2 acre)
Courant de charge	1,3 A CC	2,4 A CC	1,3 A CC	2,4 A CC
Durée moyenne de chargement (utiliser batterie 211022355)	140 minutes	40 minutes	140 minutes	40 minutes
Durée moyenne de chargement (utiliser batterie T0100273-00)	270 minutes	70 minutes	270 minutes	70 minutes
Durée moyenne de coupe (utiliser batterie 211022355)	70 minutes	70 minutes	70 minutes	70 minutes
Durée moyenne de coupe (utiliser batterie T0100273-00)	150 minutes	150 minutes	150 minutes	150 minutes
Tonte :				
Système de coupe	Trois lames de coupe pivotantes	Trois lames de coupe pivotantes	Trois lames de coupe pivotantes	Trois lames de coupe pivotantes
Consommation moyenne d'énergie pendant la coupe	25 W ± 20 %	25 W ± 20 %	25 W ± 20 %	25 W ± 20 %
Hauteur de coupe	Entre 6 cm et 10 cm (entre 2,4 et 4,0 po)	Entre 6 cm et 10 cm (entre 2,4 et 4,0 po)	Entre 2 cm et 6 cm (entre 0,8 et 2,4 po)	Entre 2 cm et 6 cm (entre 0,8 et 2,4 po)
Largeur de coupe	22 cm (8,7 po)	22 cm (8,7 po)	22 cm (8,7 po)	22 cm (8,7 po)
Passage le plus étroit possible	60 cm (24 po)	60 cm (24 po)	60 cm (24 po)	60 cm (24 po)
Angle maximal de la zone de coupe	35%	35%	35%	35%
Angle maximum pour le câble de périmètre	15%	15%	15%	15%
Longueur maximale du câble de périmètre	800 m (2 600 pi)	800 m (2 600 pi)	800 m (2 600 pi)	800 m (2 600 pi)
Capacité de travail maximale	1000 m ² (1/4 acre)	2000 m ² (1/2 acre)	1000 m ² (1/4 acre)	2000 m ² (1/2 acre)
Capacité de zone recommandée	0 - 800 m ² (0 - 0,2 acre)	400 - 1700 m ² (0,1 - 0,4 acre)	0 - 800 m ² (0 - 0,2 acre)	400 - 1700 m ² (0,1 - 0,4 acre)
Classification IP :				
Tondeuse	IPX5	IPX5	IPX5	IPX5
Station de recharge	IPX2	IPX2	IPX2	IPX2
Alimentation électrique	IP67	IP67	IP67	IP67

FICHE TECHNIQUE SUR LES RADIOFRÉQUENCES

	LTE Cat M1	Appareils à courte portée (SRD) (Câble de périmètre)
Bandes de fréquences	Bande 2 1 900 MHz Bande 4 1 700 MHz	0~148,5 kHz
Classe de puissance	Classe 3 (23 dBm)	n.d.



Les matières toxiques et corrosives ci-dessous se trouvent dans les batteries utilisées dans cette machine : Lithium-ion, une substance toxique.

AVERTISSEMENT! Éliminez toutes les substances toxiques d'une manière spécifiée afin de prévenir la contamination de l'environnement. Avant de jeter une batterie Li-ion endommagée ou usée, contactez votre agence locale d'élimination des déchets ou l'agence locale de protection de l'environnement pour obtenir des informations et des instructions spécifiques. Apportez les batteries à un centre local de recyclage ou d'élimination certifié pour l'élimination de batteries au lithium-ion.

AVERTISSEMENT! Si la batterie se fend ou se brise, avec ou sans fuites, ne la rechargez pas et ne l'utilisez pas. Jetez-la et remplacez-la par une nouvelle batterie. N'ESSAYEZ PAS DE LA RÉPARER ! Pour prévenir les blessures et les risques d'incendie, d'explosion ou de décharge électrique, et pour éviter tout dommage à l'environnement :

- Couvrez les bornes de la batterie avec du ruban adhésif résistant.
- NE PAS essayer d'enlever ou de détruire les composants de la batterie.
- NE PAS essayer d'ouvrir ou de réparer la batterie.
- En cas de fuite, les électrolytes rejetés sont corrosifs et toxiques. NE laissez PAS entrer la solution dans les yeux ou en contact avec la peau et ne l'avalez pas.
- NE PAS jeter vos batteries usagées dans votre poubelle à ordures ménagères.
- N'incinerez PAS les batteries.
- NE LES Mettez PAS dans un endroit où ils feront partie d'un site d'enfouissement de déchets ou d'un flux de déchets solides municipaux.
- Emmenez-les dans un centre de recyclage ou d'élimination certifié.

GLOBGRO AB, Globe Group Europe garantit la fonctionnalité de ce produit pendant une période de deux ans (à compter de la date d'achat). La garantie couvre les défauts graves liés aux matériaux ou aux défauts de fabrication. Pendant la période de garantie, nous remplacerons le produit ou le réparerons gratuitement si les conditions suivantes sont remplies :

- La tondeuse et la station de charge ne doivent être utilisées que conformément aux instructions du présent manuel d'utilisation.
- Les utilisateurs ou les tiers non autorisés ne doivent pas tenter de réparer le produit.

Exemples de défauts qui ne sont pas inclus dans la garantie :

- Dommages causés par la foudre.
- Dommages causés par un stockage ou une manipulation incorrecte de la batterie.
- Dommages causés par l'utilisation d'une batterie qui n'est pas une batterie d'origine.
- Dommages causés par la non-utilisation de pièces de rechange et d'accessoires d'origine, comme les lames et le matériel d'installation.
- Dommage à la boucle de câble.

Les lames sont considérées comme jetables et ne sont pas couvertes par la garantie.

Si une défaillance se produit avec votre tondeuse, veuillez contacter le revendeur pour obtenir des instructions supplémentaires. Ayez votre reçu et le numéro de série du produit à portée de main pour une assistance plus rapide.

Las siguientes páginas contienen instrucciones importantes sobre la seguridad y el funcionamiento.

Lea detenidamente y repase todas las instrucciones, advertencias y precauciones de seguridad que contiene este manual.

En caso de no leer y seguir estas instrucciones, advertencias y avisos de precaución pueden producirse lesiones graves o incluso la muerte de personas y mascotas, así como daños materiales.

Los materiales, los datos técnicos y las figuras de este manual se proporcionan exclusivamente a título orientativo y no son vinculantes. El fabricante se reserva el derecho de realizar cambios en las características técnicas y todas las características de funcionamiento, los materiales, los datos técnicos o las cifras sin previo aviso.

Contenido

Seguridad del producto.....	4	Mantenimiento	21
Explicación de los símbolos en el cortacésped.....	4	Retirada del cuerpo del chasis.....	21
Seguridad operativa	7	Limpieza.....	21
Desembalaje del producto	8	Sustitución de las cuchillas	22
Instalación	9	Mantenimiento de la batería.....	22
Planificación del diseño y preparativos	9	Sustitución de la batería	23
Instalación y conexión de la estación de carga.....	10	Almacenamiento invernal del cortacésped	24
Coloque la estación de carga de la siguiente manera:.....	10	Almacenamiento invernal de la estación de carga	24
Conexión de la fuente de alimentación.....	11	Solución de problemas.....	25
Carga inicial de la batería.....	12	Leds indicadores en el cortacésped	25
Instalación del cable delimitador.....	13	Síntomas	26
Instalación de un cable de guía.....	16	Roturas en el cable delimitador y el cable de guía.....	26
Calibración y puesta en marcha inicial	18	Datos técnicos	27
Funcionamiento	19	Protección medioambiental.....	29
Puesta en marcha y parada del cortacésped	19	Condiciones de la garantía.....	30
Apagado del cortacésped.....	19		
Ajuste de la altura de corte.....	19		
Elevación y transporte del cortacésped	20		
Emparejamiento de la aplicación móvil con el cortacésped.....	20		

Como complemento de este manual del operario, dispone de información adicional en el sitio web: www.optimow.com

EXPLICACIÓN DE LOS SÍMBOLOS EN EL CORTACÉSPED



Esta es una herramienta eléctrica peligrosa. Tenga cuidado al utilizarla y siga todas las instrucciones y advertencias de seguridad.

Lea detenidamente el manual del operario antes de utilizar el cortacésped.



Retire la llave de seguridad antes de trabajar en el cortacésped o de levantarlo.



Riesgo de lanzamiento de objetos durante el funcionamiento.

Durante la utilización, mantenga una distancia segura con respecto al cortacésped y mantenga a las personas, especialmente los niños, las mascotas y los transeúntes alejados de la superficie donde se utiliza el cortacésped.



No se suba en el cortacésped.



Aparato de clase III

LECTURA DEL MANUAL DEL OPERARIO

Los siguientes símbolos son importantes para leer y entender las instrucciones de funcionamiento.



Lleve guantes de protección

En el manual del operario se utiliza el siguiente sistema para facilitar su comprensión:

- **¡ADVERTENCIA!** Los textos de advertencia alertan a los usuarios y a los consumidores sobre la existencia y la naturaleza de los riesgos para que puedan evitar lesiones mediante una conducta adecuada durante el uso del producto.
- **PRECAUCIÓN:** Los textos de precaución alertan a los usuarios y a los consumidores sobre la existencia y la naturaleza de los riesgos del producto para que puedan evitar daños en el mismo mediante una conducta adecuada durante el uso del producto.
- **NOTA:** Las notas informan a los usuarios y a los consumidores sobre información adicional acerca del uso del producto.
- El texto escrito en **cursiva y negrita** hace referencia a otra sección del manual del operario.
- El texto escrito en **negrita** hace referencia a ajustes en el cortacésped.

IMPORTANTE

¡LEA DETENIDAMENTE ANTES DEL USO! ¡CONSERVE PARA SU CONSULTA POSTERIOR!

Formación

¡ADVERTENCIA! ¡Cortacésped automático! ¡Manténgase lejos de la máquina! ¡Supervise a los niños!

- Lea detenidamente las instrucciones. Familiarícese con los controles y el uso correcto de la máquina.
- Nunca permita que utilicen la máquina personas que no estén familiarizadas con estas instrucciones ni tampoco niños. Es posible que la legislación local estipule una edad mínima para poder utilizar este tipo de máquinas.
- El operario o usuario de la máquina será responsable de cualquier accidente o peligro que su utilización pudiera suponer para otras personas o bienes de terceros.

Preparativos

- Debe garantizar la instalación correcta de los cables delimitador y de guía según las instrucciones.
- Inspeccione periódicamente la superficie donde va a utilizarse la máquina y elimine todas las piedras, ramas, cables, huesos y otros objetos extraños.
- Realice una inspección visual para comprobar que las cuchillas, los pernos de las cuchillas y el conjunto de corte no estén desgastados o dañados. Sustituya las cuchillas y los pernos desgastados o dañados de forma conjunta para mantener el equilibrio.

Generalidades

- Nunca utilice la máquina si las protecciones están defectuosas, o sin los dispositivos de seguridad, por ejemplo, el chasis, en su posición.
- No ponga las manos ni los pies cerca o debajo de las piezas giratorias.
- Nunca levante ni transporte una máquina mientras el motor esté en marcha.
- Retire (o utilice) el dispositivo de desactivación de la máquina
 - antes de eliminar una obstrucción;
 - antes de comprobar, limpiar o trabajar en la máquina.
- No deje la máquina funcionando sin supervisión si sabe que hay mascotas, niños o personas en los alrededores.

Mantenimiento y almacenamiento

- Mantenga todas las tuercas, los pernos y los tornillos apretados para garantizar que la máquina esté en condiciones seguras de funcionamiento.
- Por cuestiones de seguridad, sustituya cualquier pieza que esté desgastada o dañada.
- Asegúrese de que solo se utilicen medios de corte de repuesto del tipo correcto.
- Asegúrese de que las baterías estén cargadas utilizando el cargador correcto recomendado por el fabricante. El uso incorrecto puede provocar descargas eléctricas, sobrecalentamiento o fugas de líquido corrosivo de la batería.
- En caso de fugas de electrolito, lave con agua/agente neutralizante; acuda al médico inmediatamente si entra en contacto con los ojos, etc.
- Las tareas de servicio en la máquina deben realizarse de acuerdo con las instrucciones del fabricante.

PROPUESTA 65

Este producto contiene una sustancia química conocida en el estado de California como causante de cáncer, defectos de nacimiento u otros daños reproductivos. El polvo generado por el lijado eléctrico, el serrado, el esmerilado, la perforación y otras actividades de construcción contiene sustancias químicas que se sabe que son causantes de cáncer, defectos de nacimiento u otros daños reproductivos. Algunos ejemplos de estas sustancias químicas son:

- Plomo de pinturas con base de plomo;
- Sílice cristalina de ladrillos y cemento y otros productos de albañilería;
- Arsénico y cromo de la madera tratada químicamente.

El riesgo de exposición a estas sustancias químicas varía según la frecuencia con la que realice este tipo de trabajo. Para reducir su exposición a estas sustancias químicas, trabaje en una zona bien ventilada y trabaje con equipos de seguridad aprobados, como máscaras antipolvo, que estén especialmente diseñadas para filtrar partículas microscópicas.

NORMAS ESPECIALES

Este dispositivo cumple la Parte 15 de las Normas de la FCC. El funcionamiento está sujeto a las siguientes dos condiciones:

En el manual del operario se utiliza el siguiente sistema para facilitar su comprensión:

- Este dispositivo no puede producir interferencias perjudiciales.
- Este dispositivo debe aceptar cualquier interferencia recibida, incluidas las interferencias que puedan producir un funcionamiento no deseado.

PRECAUCIÓN: Los cambios o modificaciones no aprobados expresamente por la parte responsable de la conformidad podrían invalidar la autoridad del usuario para utilizar el equipo.

Este equipo ha sido probado y cumple con los límites para un dispositivo digital de Clase B, de conformidad con la Parte 15 de las Normas de la FCC. Estos límites se han diseñado para proporcionar una protección razonable contra interferencias perjudiciales en una instalación residencial. Este equipo genera, utiliza y puede radiar energía de radiofrecuencia y, si no se instala y utiliza de acuerdo con las instrucciones, puede producir interferencias perjudiciales en la recepción de radio o televisión. La recepción puede determinarse encendiendo y apagando el equipo. Se recomienda al usuario que intente corregir la interferencia mediante una o más de las siguientes medidas:

- Reoriente o reubique la antena receptora.
- Aumente la separación entre el equipo y el receptor.
- Conecte el equipo a una toma de corriente en un circuito diferente al que está conectado el receptor.
- Consulte con el distribuidor o con un técnico de radio/TV experimentado para obtener ayuda.

Para satisfacer los requisitos de exposición a RF de la FCC, debe mantenerse una distancia de separación de 20 cm o más entre la antena de este dispositivo y las personas durante el funcionamiento del dispositivo.

Para garantizar el cumplimiento, no se recomiendan las operaciones a una distancia menor que esta.

INSTRUCCIONES IMPORTANTES DE SEGURIDAD

Cuando se utilicen productos eléctricos, siempre deben seguirse precauciones básicas, entre las que se incluyen:

- 1** LEA Y SIGA TODAS LAS INSTRUCCIONES DE SEGURIDAD.
- 2** Lea y siga todas las instrucciones que se encuentran en el producto o que se proporcionan con el mismo.
- 3** En el caso de una unidad de alimentación con conexión por cable o con enchufe directo, no utilice un cable alargador.
- 4** Consulte el Código eléctrico nacional, NFPA 70, específicamente para la instalación del cableado y las holguras de conductores de energía e iluminación.
- 5** El trabajo de instalación y el cableado eléctrico deben ser realizados por personas homologadas de acuerdo con todos los códigos y normas aplicables, incluida la norma para estructuras con clasificación de resistencia a incendios.
- 6** En el caso de una unidad de alimentación con conexión por cable o con enchufe directo, no instale ni utilice a menos de 10 pies (3 m) de una piscina.
- 7** En el caso de una unidad con conexión por cable o con enchufe directo, no utilice en un baño.
- 8** **ADVERTENCIA: Riesgo de descarga eléctrica.** Cuando se utilice al aire libre, instale únicamente en un enchufe protegido mediante GFCI de clase A cubierto que sea resistente a la intemperie con la unidad de alimentación conectada al enchufe. Si no se proporciona uno, contacte con un electricista homologado para una instalación adecuada. Asegúrese de que la unidad de alimentación y el cable no interfieran con el cierre completo de la tapa del enchufe.
- 9** **¡ADVERTENCIA! Riesgo de incendio.** La instalación implica métodos de cableado especiales para pasar el cableado a través de la estructura de un edificio. Consulte con un electricista homologado.
- 10** **ADVERTENCIA: El cableado de salida de la fuente de alimentación de una longitud superior a 6 pies (1,8 m) de largo puede presentar un riesgo de incendio, descarga eléctrica o lesiones a las personas.**

CONSERVE ESTAS INSTRUCCIONES – Este manual contiene instrucciones importantes de seguridad y funcionamiento para las unidades de alimentación.

SEGURIDAD OPERATIVA

Este manual del operario contiene toda la información básica relativa al funcionamiento y mantenimiento seguro del cortacésped.



Lea detenidamente todas las precauciones e instrucciones de seguridad de este manual del operario antes de utilizar el cortacésped. Conserve este manual del operario para su consulta posterior. Siga las instrucciones del fabricante con respecto a la instalación, el funcionamiento, el mantenimiento y la reparación.



Este cortacésped se ha diseñado para cortar césped en superficies abiertas y niveladas. Utilice únicamente los equipos recomendados por el fabricante. Cualquier otro tipo de uso es incorrecto.

Este cortacésped no debe ser utilizado por personas (niños incluidos) con una discapacidad física, sensorial o mental, o que no tengan experiencia ni conocimientos, a menos que hayan recibido supervisión o instrucción sobre el uso del aparato por una persona responsable de su seguridad.

Supervise siempre a los niños para asegurarse de que no jueguen con el aparato.

El cortacésped únicamente debe ser utilizado, mantenido y reparado por personas que entiendan totalmente sus características especiales y los reglamentos de seguridad.

Ponga en marcha el cortacésped según se indica en las instrucciones. Cuando la llave de seguridad esté en la posición **activada**, mantenga las manos y los pies alejados de las cuchillas giratorias.

Nunca meta las manos ni los pies debajo del cortacésped.

No modifique el diseño original del cortacésped. Las modificaciones invalidan la garantía.

Apague el cortacésped con el botón de PARADA del cortacésped cuando haya personas, especialmente niños, o mascotas en la superficie de corte. Se recomienda programar el uso del cortacésped durante las horas en que la superficie esté libre de personas o mascotas.

Retire los objetos de la superficie de trabajo, como ramas, juguetes, piedras, herramientas que puedan dañar las cuchillas. El cortacésped puede fijarse a objetos en la superficie de trabajo y es posible que se necesite ayuda para retirar el objeto antes de que el cortacésped pueda seguir cortando.

Nunca levante el cortacésped ni lo transporte con la llave de seguridad insertada.

Apague siempre el cortacésped con el botón de PARADA cuando no esté en uso. El cortacésped únicamente puede ponerse en marcha cuando se inserta la llave de seguridad y se pulsa el botón de PUESTA EN MARCHA.

La alarma integrada es muy ruidosa. Tenga cuidado, especialmente si el cortacésped se maneja en interiores.

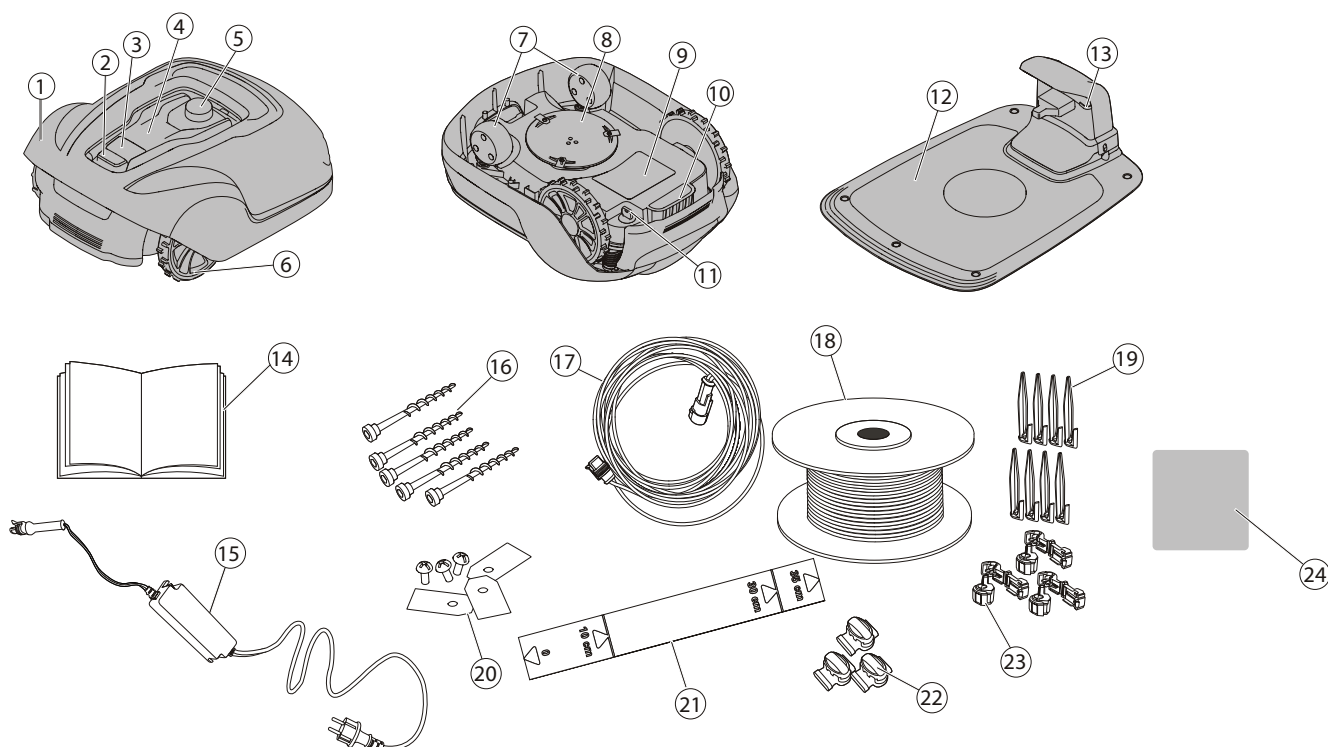
No utilice el cortacésped con un disco de corte o un cuerpo defectuoso.

No permita el uso a personas que no saben cómo funciona y se comporta el cortacésped.

No coloque nada encima del cortacésped o su estación de carga.

Lleve siempre guantes de protección cuando trabaje con las cuchillas del cortacésped.





- | | |
|---|---|
| <ul style="list-style-type: none"> 1 Cubierta desmontable 2 Botón de parada 3 Botón de puesta en marcha 4 Indicadores LED 5 Ajuste de altura de corte 6 Ruedas traseras 7 Ruedas delanteras 8 Disco de corte 9 Cubierta de batería 10 Asa de transporte 11 Llave de seguridad 12 Estación de carga 13 LED para comprobación de funcionamiento | <ul style="list-style-type: none"> 14 Manual del operario y guía rápida 15 Fuente de alimentación* 16 Tornillos para fijar la estación de carga (x5) 17 Cable de baja tensión 18 Bobina de cable para cable delimitador y de guía 19 Estaquillas sujetacables 20 Cuchillas y tornillos adicionales (x3) 21 Regla (rompa la parte superior de cartón) 22 Conectores de empalme y de cable de guía 23 Conectores de bobina de cable 24 Etiqueta-Marcador de cable. G1 y G2 = Cable de guía 1 y 2. BL y BR = Cable delimitador izquierdo y derecho |
|---|---|

* El aspecto de la fuente de alimentación puede variar en función del mercado.

Desembale el cortacésped y los materiales de instalación. Asegúrese de que todas las piezas de la figura 1 estén incluidas y que no presenten daños. Póngase en contacto con su distribuidor si faltan artículos o si están dañados.

Conserve la Guía rápida en un lugar seguro puesto que contiene el código de emparejamiento único para su cortacésped.

Lea la sección completa antes de empezar la instalación. La instalación afecta a la capacidad del cortacésped. Planifique bien la instalación.

A continuación, se detallan las tareas principales durante la instalación:

- Planificación del diseño y preparativos
- Instalación y conexión de la estación de carga
- Conexión de la fuente de alimentación
- Carga inicial de la batería
- Instalación del cable delimitador
- Instalación del cable de guía
- Calibración y puesta en marcha inicial

PLANIFICACIÓN DEL DISEÑO Y PREPARATIVOS

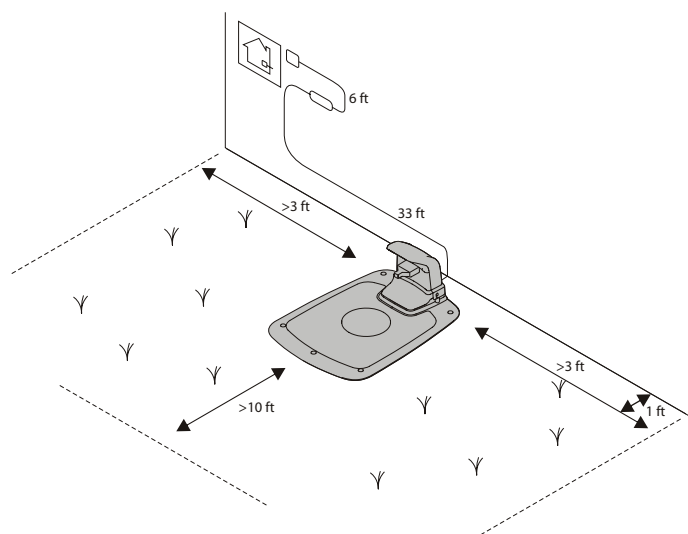
Asegúrese de que se den las siguientes condiciones en la superficie de trabajo donde se utilizará el cortacésped:

- La hierba mide menos de 4 pulg. (10,2 cm).
- No hay piedras, trozos sueltos de madera, alambres, cables de red con corriente y otros objetos extraños.
- La superficie de trabajo es uniforme y no tiene zanjas, surcos ni pendientes pronunciadas superiores al 35%.

Las siguientes herramientas son necesarias para la instalación, pero no están incluidas:

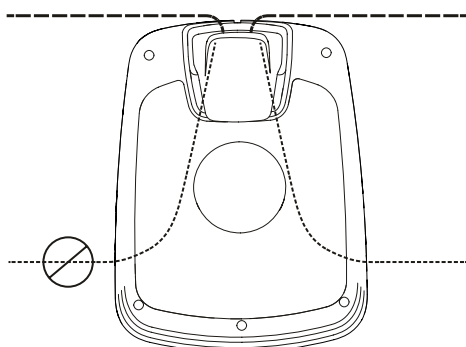
- Martillo/maza de goma para clavar las estaquillas en el suelo
- Alicates universales para cortar el cable delimitador
- Pinza multiusos para acoplar los acoplamientos
- Llave hexagonal, 6 mm para fijar la estación de carga al suelo

INSTALACIÓN Y CONEXIÓN DE LA ESTACIÓN DE CARGA



Coloque la estación de carga de la siguiente manera:

- En un lugar nivelado lejos de la luz solar directa (El extremo delantero de la estación de carga no debe estar 2 pulg. (5,1 cm) más alto o más bajo que el extremo trasero).
- Al alcance de una toma de pared (El cable de baja tensión tiene una longitud de 33 pies [10,1 m]).
- Con al menos 10 pies (3 m) por delante y 3 pies (0,9 m) por cada lado (No coloque en espacios confinados en la superficie de trabajo).



Toda la estación de carga debe estar dentro de la superficie de trabajo como se muestra en la figura.

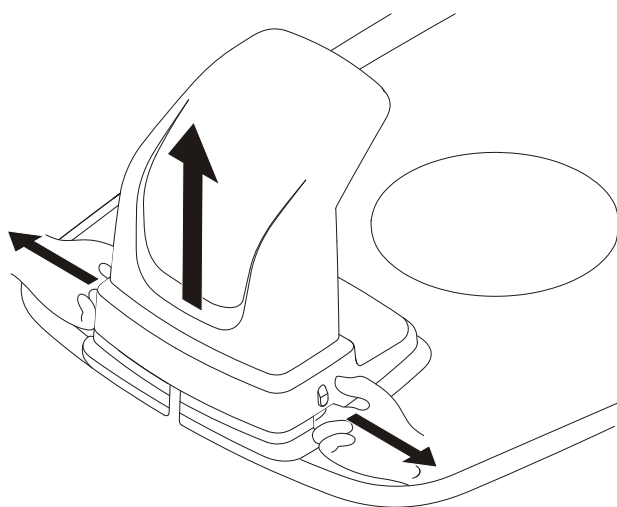
CONEXIÓN DE LA FUENTE DE ALIMENTACIÓN

Conecte la fuente de alimentación en un entorno fresco y seco; fuera de la luz solar directa.

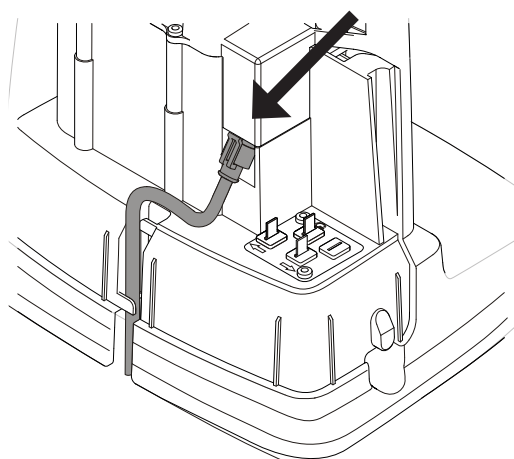
Si la fuente de alimentación está conectada a una toma eléctrica en el exterior, debe estar aprobada para uso en exteriores.

El cable de baja tensión puede cruzar la superficie de trabajo si está grapado o enterrado.

PRECAUCIÓN: No corte, empalme ni modifique el cable de baja tensión. La modificación del cable de baja tensión anulará la garantía del producto.



Retire la cubierta protectora de la estación de carga presionando las pestañas a cada lado de la base y levantando la cubierta.

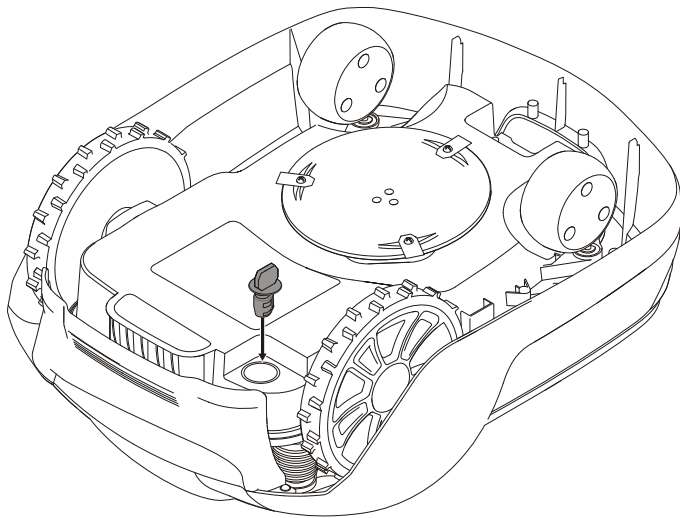


Conecte el cable de baja tensión a la estación de carga.

Pase el cable de baja tensión detrás de las pestañas para mantenerlo en su posición en la estación de carga.

Conecte el cable de la fuente de alimentación a una toma de pared de 100-120 V.

CARGA INICIAL DE LA BATERÍA

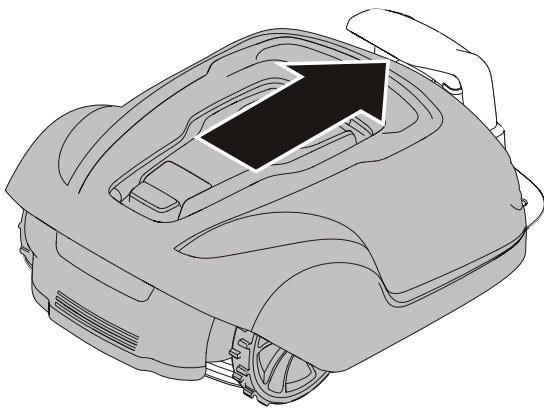


Inserte la llave de seguridad en la parte inferior del cortacésped y gírela a la posición **activada**.



Coloque el cortacésped en la estación de carga mientras se colocan los cables delimitadores y de guía.

El cortacésped no puede utilizarse antes de finalizar la instalación.



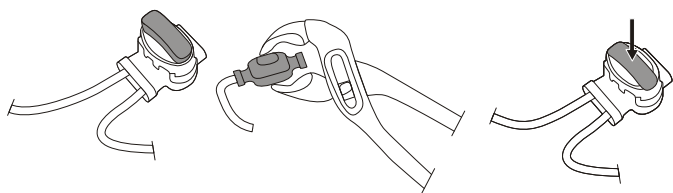
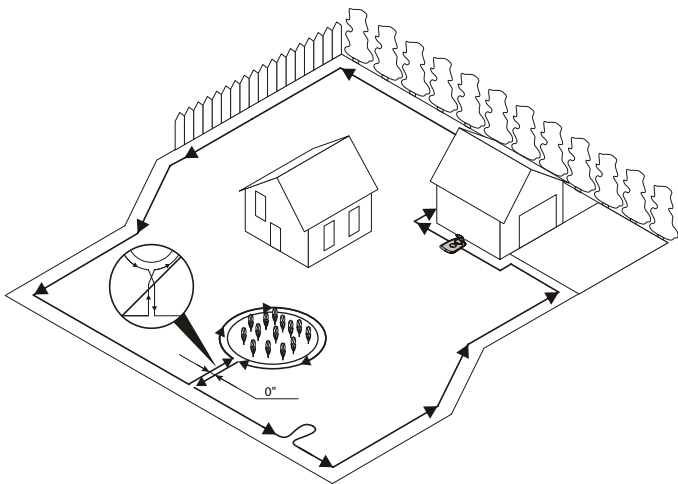
INSTALACIÓN DEL CABLE DELIMITADOR

Al instalar el cable delimitador hay una serie de situaciones a considerar, como se describe en la siguiente tabla.

Tabla 1. Manejo de desviaciones y obstáculos en la superficie de trabajo

VARIACIÓN DENTRO DE LA SUPERFICIE DE TRABAJO	PLANIFICACIÓN DEL CABLE DELIMITADOR
Objetos fijos a nivel con el césped que el cortacésped puede atravesar (caminos adoquinados o similares)	Coloque el cable delimitador debajo de los adoquines o en la unión entre los adoquines. Nunca haga funcionar el cortacésped sobre grava, mantillo o material similar que pueda dañar las cuchillas.
Obstáculos fijos de ± 0,4 pulg. (1 cm) de altura	Coloque el cable delimitador a 4 pulg. (10,2 cm) del obstáculo.
Obstáculos fijos entre 0,4-2 pulg. (1-5,1 cm) de altura (pequeñas zanjas, parterres o bordillos bajos)	Coloque el cable delimitador a 12 pulg. (30,5 cm) del obstáculo.
Obstáculos fijos de 2 pulg. (5,1 cm) o más altos (vallas o paredes)	Coloque el cable delimitador a 14 pulg. (35,6 cm) del obstáculo.
Obstáculos fijos de altura superior a 6 pulg. (15,2 cm) que pueden soportar un choque (árboles o arbustos)	No es necesaria ninguna medida; el cortacésped girará cuando choque con este tipo de obstáculo.
Obstáculos fijos que se inclinan ligeramente, como piedras o árboles grandes con raíces elevadas	Coloque el cable delimitador a 12 pulg. (30,5 cm) o retire el obstáculo.
Obstáculos que no pueden soportar un choque	Coloque el cable delimitador a 12 pulg. (30,5 cm) del obstáculo y alrededor del mismo y posteriormente llévelo a lo largo de la misma ruta.
Pasajes largos y estrechos y superficies más estrechas de 5 pies (1,5 m)	Instale un cable de guía.
Bordes en una pendiente, carretera, precipicio o agua	Complemente el cable delimitador con una barrera física de al menos 6 pulg. (15,2 cm) de alto.
Pendiente hasta el 35% dentro de la superficie de trabajo	No es necesaria ninguna medida; el cortacésped puede funcionar hasta en un 35% siempre que la pendiente no esté en el límite de la superficie de trabajo.
Pendiente inferior al 15% en el extremo de la superficie de trabajo	Coloque el cable delimitador normalmente.
Pendiente superior al 15% en el extremo de la superficie de trabajo	No coloque el cable delimitador a menos que exista un obstáculo fijo (valla o pared) para evitar que el cortacésped salga de la superficie de trabajo. Cuando una parte del extremo exterior de la superficie de trabajo se incline más del 15%; coloque el cable delimitador a 7,8 pulg. (19,8 cm) sobre el terreno plano antes del comienzo de la pendiente.

NOTA: La pendiente se define en unidades porcentuales (%). La pendiente como unidad porcentual se calcula como la diferencia de elevación en pulg. por cada 10 pulg. (25,4 cm). Si, por ejemplo, la diferencia en la elevación es de 1 pulg. (2,5 cm), la pendiente es del 10%.



Fije temporalmente el extremo de la bobina de cable a una estaquilla u otro objeto en la estación de carga.

Despliegue la bobina de cable en sentido antihorario a lo largo del límite planificado de la superficie de trabajo, teniendo en cuenta las normas de la tabla 1, hasta que regrese a la estación de carga.

Si va a instalar un cable de guía, cree una abertura con unas 8 pulg. (20,3 cm) de cable delimitador adicional en el punto donde se conectará más adelante el cable de guía.

Consulte **Instalación de un cable de guía** en la página 16 si desea información adicional.

Si el cable delimitador es demasiado corto, utilice los conectores suministrados de empalme y de cable de guía para empalmar el cable delimitador adicional del siguiente modo:

- 1 Inserte ambos extremos del cable delimitador en el conector de empalme y de cable de guía. Compruebe que los cables estén totalmente insertados en el conector de empalme y de cable de guía de manera que los extremos sean visibles a través del conector de empalme y de cable de guía.
- 2 Apriete totalmente hacia abajo el botón de la parte superior del conector de empalme y de cable de guía con una pinza multiusos hasta que escuche un clic.

Coloque la bobina de cable en la estación de carga.

Vuelva alrededor del límite de la superficie de trabajo y fije el cable delimitador ya sea utilizando estaquillas o enterrándolo en el suelo. Se recomiendan las estaquillas ya que esto permite el ajuste durante las primeras semanas de funcionamiento.

Al fijar el cable delimitador con estaquillas:

- Corte el césped muy bajo con un cortacésped estándar o un cortasetos donde se vaya a colocar el cable.
- Coloque el cable delimitador en el suelo y fíjelo con las estaquillas muy juntas.
- Empuje o golpee las estaquillas para clavarlas en el suelo.

No introduzca las estaquillas demasiado en el suelo para que no tiren del cable delimitador.

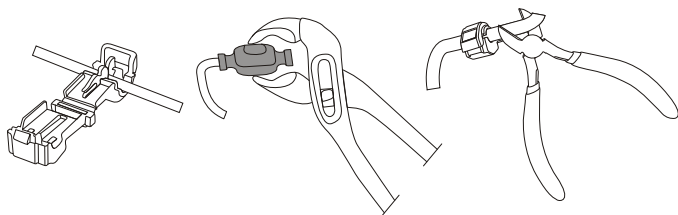
Cuando entierre el cable delimitador:

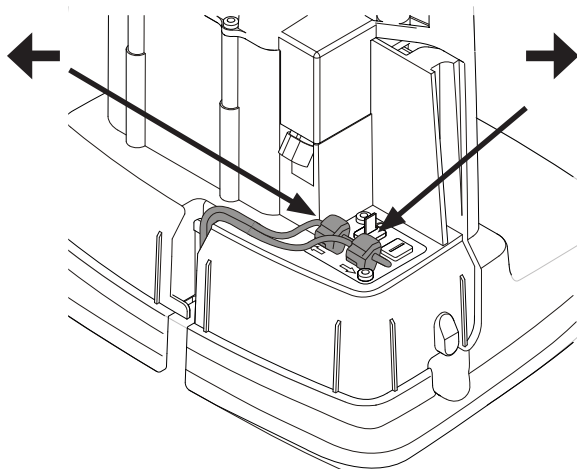
- Entierre el cable delimitador a 0,4-8 pulg. (1-20,3 cm) en el suelo.

Cuando el cable delimitador esté totalmente colocado y fijado, instale los conectores terminales de la bobina de cable de la siguiente manera:

- 1 Abra el conector de la bobina de cable y coloque el cable en la sujeción del conector de la bobina de cable.
- 2 Acople los conectores de la bobina de cable con una pinza multiusos hasta que escuche un clic.

Corte cualquier cable delimitador sobrante 0,4-1 pulg. (1-2,5 cm) por encima de cada conector.



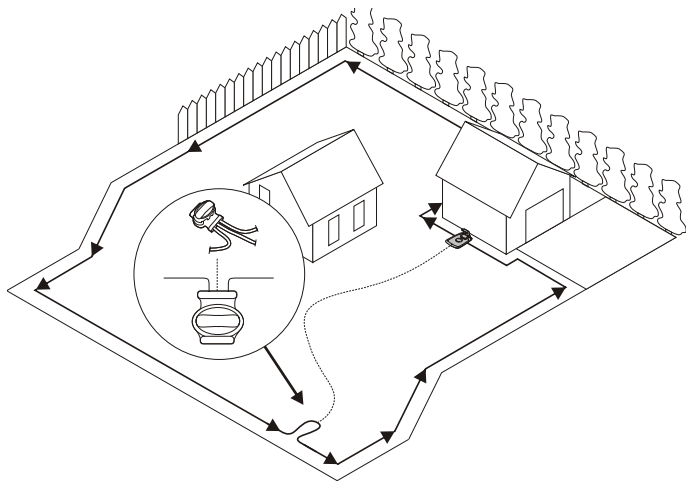


Conecte el cable delimitador a la estación de carga de la siguiente manera:

- 1** Retire la cubierta protectora de la estación de carga y pase el cable detrás de las pestañas al canal de la parte posterior de la estación de carga.
- 2** Presione el conector sobre las patillas metálicas de la estación de carga (marcadas con las flechas izquierda y derecha).

NOTA: Asegúrese de que el cable delimitador a la derecha de la estación de carga esté conectado a la flecha que apunta hacia la derecha y lo mismo para el lado izquierdo.

INSTALACIÓN DE UN CABLE DE GUÍA



El cortacésped utiliza el cable de guía opcional para encontrar el camino de regreso a la estación de carga, pero también para encontrar zonas de difícil acceso en la superficie de trabajo. Por ejemplo, el cable de guía se coloca entre la estación de carga y una parte remota de la superficie de trabajo o a través de un pasaje estrecho.

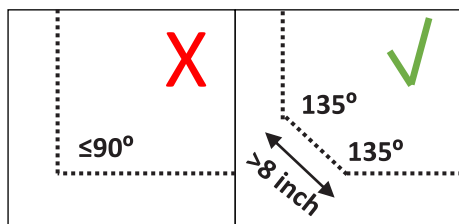
Para pasajes estrechos (menos de 10 pies [3 m]) o para acortar los tiempos de búsqueda, se recomienda un cable de guía.

Planifique la ubicación del cable de guía antes de colocar el cable delimitador.

Utilice la misma bobina de cable tanto para el cable delimitador como para el cable de guía.

El cable de guía, como el cable delimitador, debe fijarse al suelo con estaquillas o enterrarse.

Cuando instale el cable de guía en una pendiente pronunciada, colóquelo en ángulo con respecto a la pendiente para que sea más fácil para el cortacésped seguir el cable de guía en la pendiente.



No coloque el cable de guía en ángulos agudos o el cortacésped tendrá dificultades para seguirlo.

No coloque el cable de guía más cerca de 12 pulg. (30,5 cm) del cable delimitador.

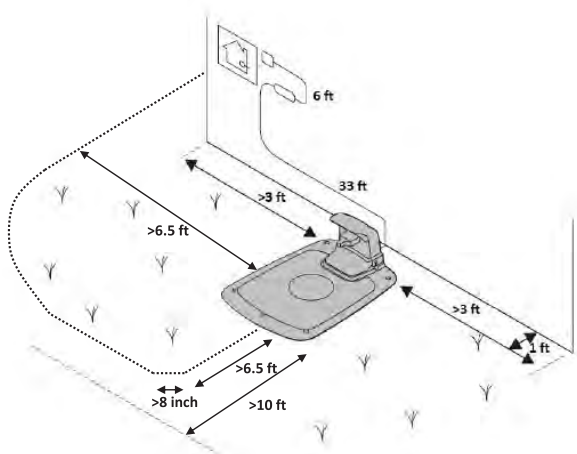
No coloque el cable de guía transversal al cable delimitador.

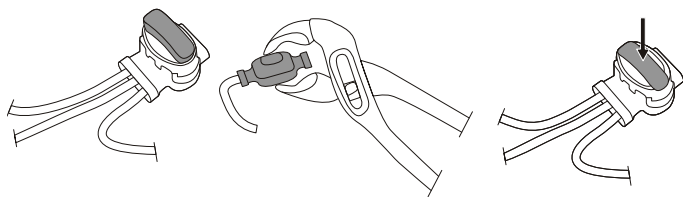
Coloque el cable de guía directamente debajo de la placa de carga en la pista prevista para ello y, posteriormente, al menos 6,5 pies (2 m) directamente fuera del extremo delantero de la placa.

Deje tanto espacio como sea posible a la izquierda del cable de guía (visto cuando está orientado hacia la estación de carga).

Pase el cable de guía hasta el bucle en el cable delimitador donde va a conectarse el cable de guía.

Corte el cable delimitador con los alicates universales.



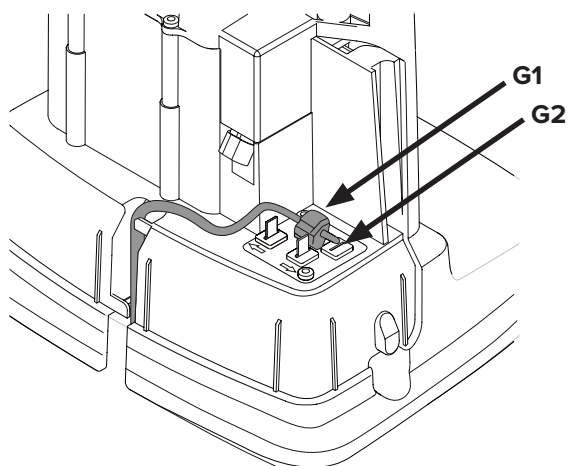


Inserte ambos extremos del cable delimitador, así como el extremo del cable de guía en el conector de empalme y de cable de guía. Compruebe que los cables estén totalmente insertados en el conector de empalme y de cable de guía de manera que los extremos sean visibles a través del conector de empalme y de cable de guía.

Apriete totalmente hacia abajo el botón de la parte superior del conector de empalme y de cable de guía con una pinza multiusos hasta que escuche un clic.

Fije el empalme y los cables delimitador y de guía utilizando estaquillas o enterrándolos.

Conecte el cable de guía a la estación de carga de la siguiente manera:

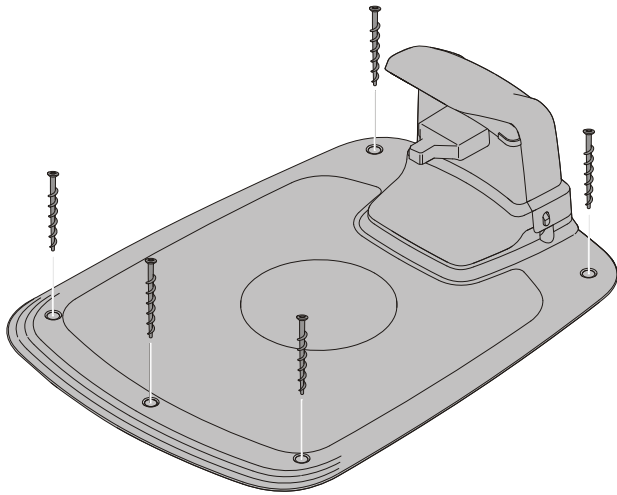


- 1 Retire la cubierta protectora de la estación de carga y pase el cable de guía detrás de las pestañas al canal que conduce a los terminales.
- 2 Conecte el cable de guía a la patilla de contacto de la estación de carga que tiene la letra **G1**.

Instalación de un segundo cable de guía Installing a second guide wire (not on all models):

- 1 Si tiene más de un paso estrecho o un jardín complicado, puede instalar un segundo cable de guía. Para ello, siga los pasos para instalar un cable de guía, excepto conectarlo a la patilla de contacto en la estación de carga marcada **G2**.

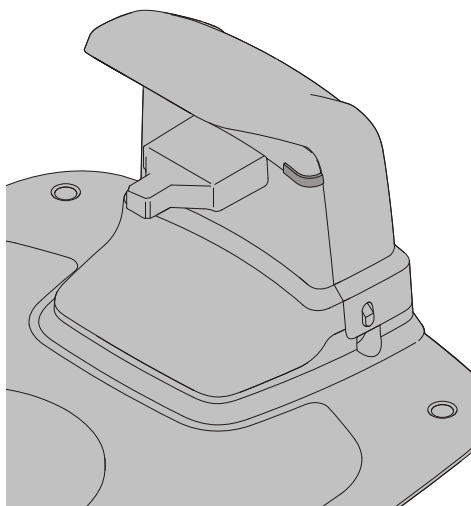
CALIBRACIÓN Y PUESTA EN MARCHA INICIAL



Fije la estación de carga al suelo con los cinco tornillos de fijación suministrados con una llave hexagonal de 6 mm.

NOTA: No haga orificios nuevos en la placa base de la estación de carga. Únicamente pueden utilizarse los orificios existentes para fijar la placa base al suelo.

NOTA: No pise ni camine sobre la placa base de la estación de carga.



Compruebe el indicador LED de la estación de carga:

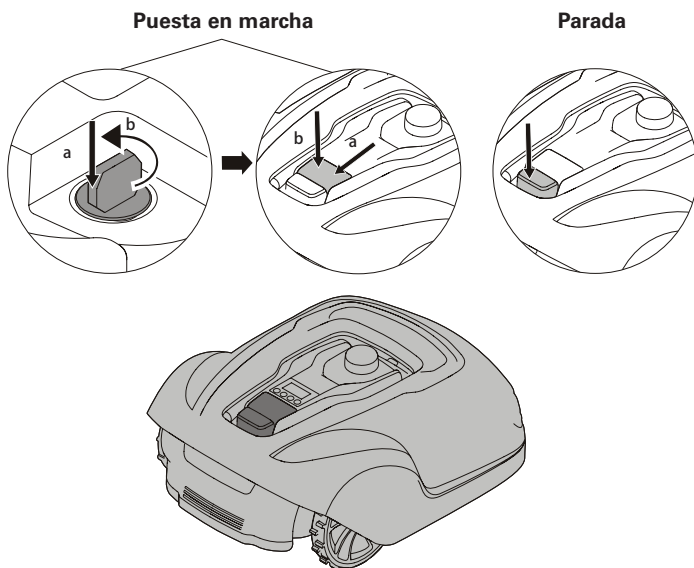
- El indicador LED se enciende continuamente en verde si la fuente de alimentación dispone de tensión de salida y el cable delimitador no se interrumpe.

El indicador LED no se enciende cuando la fuente de alimentación no dispone de tensión de salida.

Si el indicador LED no muestra una luz fija o verde, consulte **LEDs indicadores en la estación de carga** en la página 24 para solucionar problemas.

Empareje el cortacésped con la aplicación móvil como se indica en **Emparejamiento de la aplicación móvil con el cortacésped** en la página 19.

PUESTA EN MARCHA Y PARADA DEL CORTACÉSPED



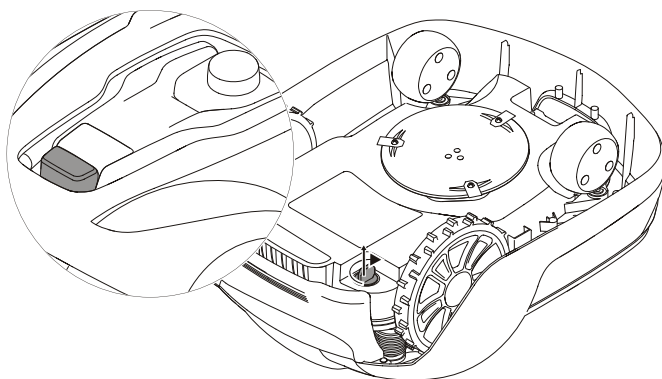
Para poner en marcha el cortacésped:

- 1 Inserte la llave de seguridad y gírela en sentido antihorario hasta la posición "1".
- 2 Deslice el cierre del botón de **PUESTA EN MARCHA** hacia atrás.
- 3 Pulse el botón de **PUESTA EN MARCHA**.

Para detener el cortacésped:

Pulse el botón de **PARADA** en el cortacésped.

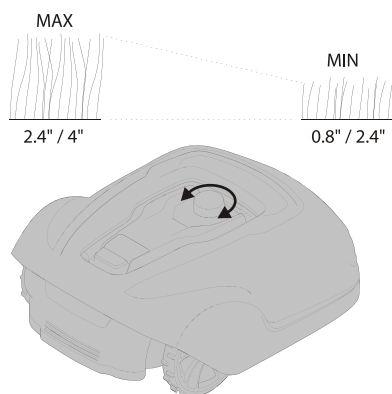
APAGADO DEL CORTACÉSPED



Pulse el botón de **PARADA** en el cortacésped y retire la llave de seguridad.

¡ADVERTENCIA! Retire siempre la llave de seguridad cuando realice tareas de mantenimiento o si debe mover el cortacésped.

AJUSTE DE LA ALTURA DE CORTE



Durante las primeras semanas de corte, ajuste la altura de corte a al menos 2,4 pulg. (6,1 cm) para evitar cortar el cable delimitador y el cable de guía. Posteriormente, baje el ajuste un paso cada semana hasta que se alcance la altura de corte deseada.

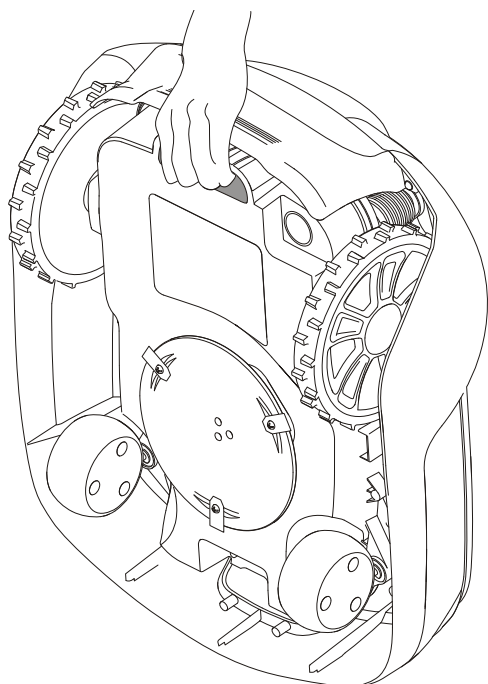
Gire el mando de ajuste de altura de corte al ajuste deseado. El ajuste seleccionado es la marca en el cuerpo que se alinea con la flecha en el mando.

Gire en sentido horario para aumentar la altura de corte.

Gire en sentido antihorario para disminuir la altura de corte.

La altura de corte para el cortacésped puede ajustarse entre 0,8 y 2,4 pulg. (2 y 6,1 cm) para el modelo 33 y 66 y entre 2,4 y 4 pulg. (6,1 y 10,2 cm) para el modelo 33H y 66H.

ELEVACIÓN Y TRANSPORTE DEL CORTACÉSPED



Pulse el botón de **PARADA** y retire la llave de seguridad antes de la elevación.

Eleve siempre el cortacésped por el asa de transporte.

EMPAREJAMIENTO DE LA APLICACIÓN MÓVIL CON EL CORTACÉSPED

Descargue Greenworks GreenGuide de App Store/Google Play y siga las instrucciones en pantalla para emparejar el cortacésped. Tenga a mano el código de emparejamiento único (que se encuentra en el manual de la guía rápida) y el cortacésped.

MODO DE AHORRO ENERGÉTICO

Si el cortacésped no se utiliza por un tiempo, se puede poner en modo de baja energía mediante el interruptor "Modo de ahorro energético" en la página de configuración del cortacésped en la aplicación "Greenworks tools".

Cuando se selecciona el "modo de ahorro de energía", el cortacésped irá hacia la estación de carga, cargue la batería y desactive la estación de carga (el LED se apagará) y el cortacésped. El cortacésped también desactivará la conexión a la aplicación cuando está en modo de ahorro de energía.

Después de iniciar la carga de la batería, el cortacésped solo puede activarse al sacarlo de la estación de carga y luego, presionándolo en la estación de carga de nuevo.

¡ADVERTENCIA! Lleve guantes protectores cuando manipule o trabaje cerca de las cuchillas afiladas.

¡ADVERTENCIA! Antes de trabajar en el cortacésped, retire la llave de seguridad.

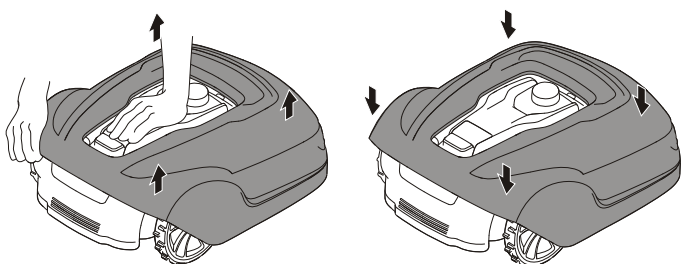
¡ADVERTENCIA! Antes de trabajar en la estación de carga o en la fuente de alimentación, retire el enchufe de la red.

- Periódicamente realice una inspección visual del cortacésped y sustituya las piezas desgastadas o dañadas para mayor seguridad.
- Inspeccione que las cuchillas giren libremente
- Mantenga todas las tuercas, los pernos y los tornillos apretados para garantizar que el cortacésped esté en condiciones seguras de funcionamiento.
- La vida útil normal de las cuchillas es de 2 a 6 semanas cuando se usan a la capacidad máxima de superficie y más larga para superficies más pequeñas.

PRECAUCIÓN: Las cuchillas desafiladas cortan mal la hierba; se necesita más energía y por consiguiente se acorta el tiempo entre cargas de batería.

- Limpie el cortacésped periódicamente para un mejor funcionamiento.

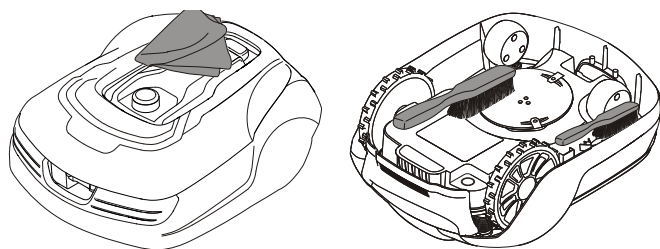
RETIRADA DEL CUERPO DEL CHASIS



Sujete el cortacésped con una mano y levántelo firmemente por una de las esquinas del cuerpo y repita para las cuatro esquinas, hasta que el cuerpo se suelte del chasis.

Vuelva a colocar el cuerpo alineando este con el chasis y presione hacia abajo firmemente hasta que escuche el clic. Compruebe que el cuerpo esté bien fijado al chasis.

LIMPIEZA

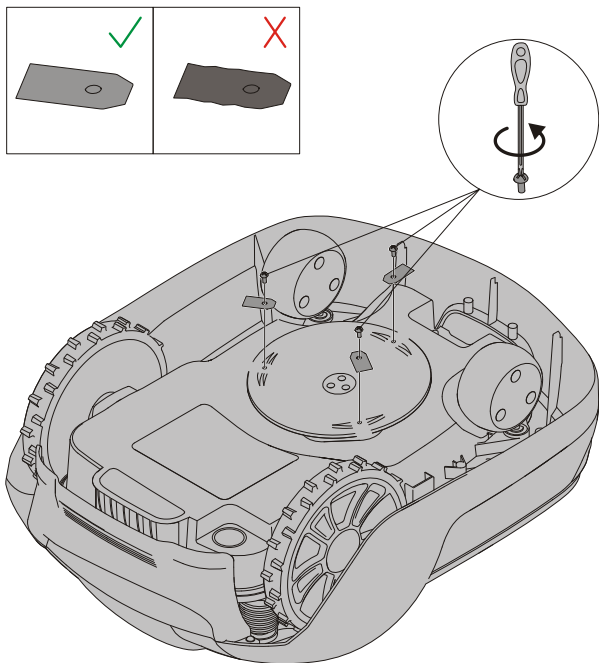


¡ADVERTENCIA! Pulse el botón de PARADA y retire la llave de seguridad antes de la limpieza.

Limpie exhaustivamente el exterior del cortacésped con un cepillo suave, un paño húmedo y una manguera de agua a baja presión, en caso necesario. Retire el cuerpo del chasis.

Gire el cortacésped sobre un lateral y limpie la zona de la cuchilla y las ruedas con un cepillo rígido o rascador para eliminar los recortes de hierba compactados.

SUSTITUCIÓN DE LAS CUCHILLAS



¡ADVERTENCIA! Pulse el botón de PARADA y retire la llave de seguridad antes de sustituir las cuchillas y lleve guantes de protección.

¡ADVERTENCIA! Utilice únicamente la cuchilla de GLOBE: 333092355

PRECAUCIÓN: Utilice únicamente piezas de repuesto originales.

Vuelva a colocar las tres cuchillas y los tornillos como un conjunto al mismo tiempo.

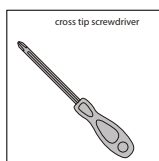
Dé la vuelta al cortacésped.

Afloje los tornillos con un destornillador de cabeza recta o de estrella.

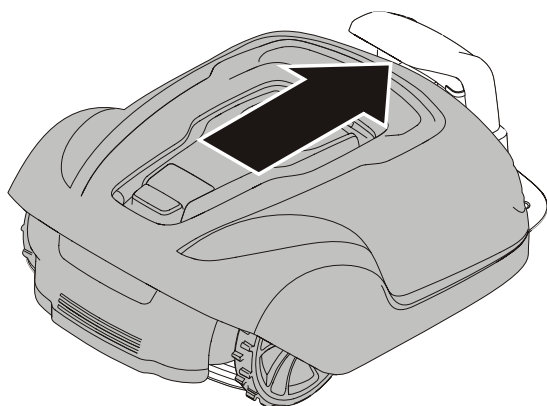
Retire las cuchillas y los tornillos.

Atornille las cuchillas nuevas con tornillos nuevos.

Compruebe que las cuchillas giren libremente



MANTENIMIENTO DE LA BATERÍA

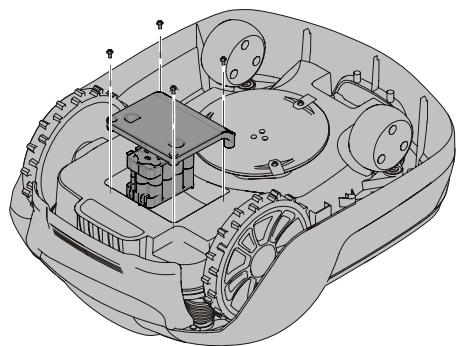
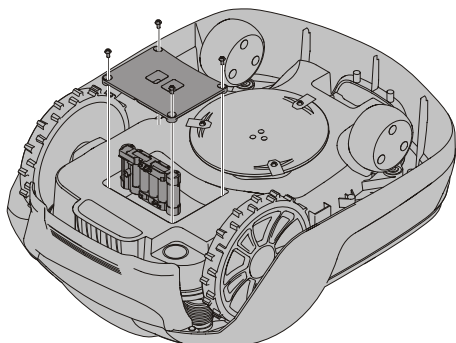


¡ADVERTENCIA! En caso de fugas de electrolito, lave con agua/ agente neutralizante y acuda al médico inmediatamente si el electrolito entra en contacto con los ojos.

Cargue la batería únicamente en la estación de carga original. El uso incorrecto puede provocar descargas eléctricas, sobrecalentamiento o fugas de líquido corrosivo de la batería.

La batería no necesita mantenimiento, pero tiene una vida útil limitada de 2 a 4 años, en función de la duración de la temporada y del número de horas al día que se utiliza el cortacésped.

SUSTITUCIÓN DE LA BATERÍA



¡ADVERTENCIA! Pulse el botón de PARADA y retire la llave de seguridad antes de sustituir las baterías y lleve guantes de protección.

PRECAUCIÓN: Utilice únicamente piezas de repuesto originales.

Dé la vuelta el cortacésped y retire los cuatro tornillos Torx T20, posteriormente retire la cubierta de la batería.

Desconecte el conector del terminal de la batería.

Levante la batería para sacarla.

Inserte la batería nueva en la ranura 1 (la ranura posterior).

Conecte el conector del terminal de la batería a la batería nueva.

Vuelva a colocar la cubierta de la batería en su posición e inserte y apriete los cuatro tornillos Torx T20.



Deseche la batería usada de acuerdo con los reglamentos locales en materia medioambiental.

ALMACENAMIENTO INVERNAL DEL CORTACÉSPED

Limpie siempre el cortacésped antes del almacenamiento invernal.

Cargue totalmente la batería antes del almacenamiento invernal. Si la batería no está totalmente cargada, puede sufrir daños y, en algunos casos, quedar inutilizada.

PRECAUCIÓN: Si la batería no está totalmente cargada, puede sufrir daños y, en algunos casos, quedar inutilizada.

Inspeccione el estado de los elementos de desgaste; que las cuchillas estén afiladas y que las cuchillas y las ruedas delanteras giren libremente. Corrija cualquier defecto.

Almacene el cortacésped en un entorno seco donde no hiele, apoyado sobre las cuatro ruedas.

ALMACENAMIENTO INVERNAL DE LA ESTACIÓN DE CARGA

Cuando sea posible, desconecte el cable delimitador y el cable de guía de la estación de carga y almacene la estación de carga y la fuente de alimentación en un lugar interior.

Deje el cable delimitador y el cable de guía en el suelo, pero proteja los extremos de los cables de la humedad conectándolos a un acoplamiento original o poniéndolos en un recipiente con grasa.

Si no es posible almacenar la estación de carga en el interior, la estación de carga debe permanecer conectada a la red, al cable delimitador y a los cables de guía.

TRAS EL ALMACENAMIENTO INVERNAL

Inspeccione las bandas de contacto y de carga del cortacésped y la estación de carga para ver si hay corrosión, quemaduras o suciedad. Si hay que limpiar las bandas de carga o de contacto, utilice un trozo de lija de grano fino.

Esta sección también presenta algunos síntomas que pueden guiarle si el cortacésped no funciona según lo esperado.

LEDS INDICADORES EN EL CORTACÉSPED



LED	ESTADO	SIGNIFICADO	ACCIÓN
1. En funcionamiento (Verde)	Intermitente	Modo de recuperación	Coloque el robot en la estación de carga hasta 5 horas y espere a que el LED verde deje de parpadear. Si el LED no deja de parpadear, reinicie el robot fuera de la estación de carga e inténtelo de nuevo.
	Encendido	Cortacésped en modo de funcionamiento (cargando, estacionado en la estación de carga, en pausa, segundo o buscando)	
	Apagado	Cortacésped parado con el botón de parada del cortacésped, llave de seguridad en la posición desactivada, cortacésped en estado de error o cortacésped esperando el código PIN.	
2. Conectividad (Azul)	Intermitente	Intentando conectar al servidor de Internet	
	Encendido	Conectado al servidor de Internet	
	Apagado	Cortacésped no en "modo de encendido"	
3. Seguridad (Amarillo)	Intermitente	Es necesaria autorización mediante código PIN	... a través de la aplicación móvil.
	Apagado	No es necesario código PIN	No es necesaria ninguna acción
4. Error (Rojo)	Intermitente	Cortacésped parado con error	Compruebe el motivo del error y posteriormente reinicie pulsando el botón de Puesta en marcha en el cortacésped.

LEDS INDICADORES EN LA ESTACIÓN DE CARGA

LED	ESTADO	SIGNIFICADO	ACCIÓN
Verde	Encendido	Cable delimitador y estación de carga OK	No es necesaria ninguna acción.
Azul	Intermitente	Cable delimitador roto o no conectado	Compruebe y repare el cable delimitador.
Rojo	Intermitente	Fallo electrónico en la estación de carga o la unidad de la fuente de alimentación	Contacte con su distribuidor
-	Apagado	La estación de carga no tiene energía o el cortacésped está en modo de ahorro de energía.	Verifique la tensión de suministro. Consulte el apartado "Modo de ahorro de energía" en la página 20.

SÍNTOMAS

Si su cortacésped no funciona como esperaba, siga la guía de solución de problemas que figura a continuación.

SÍNTOMAS	CAUSA	ACCIÓN
El cortacésped tiene dificultad para acoplarse a la estación de carga	La estación de carga está en una pendiente.	Coloque la estación de carga sobre una superficie que esté totalmente nivelada. Consulte Instalación y conexión de la estación de carga en la página 10.
	El cable delimitador no se ha colocado correctamente en relación con la estación de carga.	Compruebe que la estación de carga y el cable delimitador se hayan instalado correctamente. Consulte Instalación y conexión de la estación de carga en la página 10.
Resultados de corte irregulares	El cortacésped trabaja muy pocas horas al día.	Aumente el tiempo de funcionamiento. Consulte la función Programación en la aplicación móvil.
	La forma de la superficie de trabajo exige que se realicen ajustes manuales para que el cortacésped llegue a todas las zonas remotas.	Ajuste la cobertura del césped para dirigir el cortacésped a una o más zonas remotas. Consulte la función Ajustes en la aplicación móvil.
	La forma de la superficie de trabajo exige que se realicen ajustes manuales para que el cortacésped llegue a todas las zonas remotas.	Intente limitar la superficie de trabajo o ampliar el tiempo de funcionamiento. Consulte la función Programación en la aplicación móvil.
	Las cuchillas están desafiladas.	Sustituya todas las cuchillas y los tornillos para que las piezas giratorias estén equilibradas. Consulte Sustitución de las cuchillas en la página 22.
	La hierba se acumula en el disco de corte o alrededor del eje del motor.	Compruebe que el disco de corte gire fácilmente. En caso contrario, quite la hierba y los objetos extraños. Consulte Mantenimiento en la página 21.
El cortacésped corta durante periodos más cortos de lo habitual entre cargas.	La hierba u otro objeto extraño está bloqueando el disco de corte.	Quite la hierba y los objetos extraños. Consulte Mantenimiento en la página 21.
	La batería está gastada.	Sustituya la batería. Consulte Sustitución de la batería en la página 23.
Tiempos de corte y carga más cortos de lo habitual	La batería está gastada.	Sustituya la batería. Consulte Sustitución de la batería en la página 23.

ROTURAS EN EL CABLE DELIMITADOR Y EL CABLE DE GUÍA

Las roturas en el cable delimitador y el cable de guía (si están instalados) suelen ser el resultado de daños físicos involuntarios.

Inspeccione todo el cable delimitador desde la estación de carga y de vuelta.

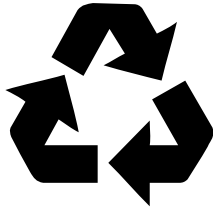
Inspeccione el cable de guía (si está instalado) desde la estación de carga hasta el empalme en el cable delimitador.

Inspeccione que todos los acoplamientos se hayan acoplado correctamente para hacer las conexiones.

	Optimow 25H	Optimow 50H	Optimow 25	Optimow 50
Dimensiones:				
Altura	12,2 pulg. (31 cm)	12,2 pulg. (31 cm)	10,3 pulg. (26 cm)	10,3 pulg. (26 cm)
Longitud	25,0 pulg. (63,5 cm)	25,0 pulg. (63,5 cm)	24,8 pulg. (63 cm)	24,8 pulg. (63 cm)
Anchura	20,0 pulg. (51 cm)	20,0 pulg. (51 cm)	19,7 pulg. (50 cm)	19,7 pulg. (50 cm)
Peso	26,4 lbs (12 kg)	26,4 lbs (12 kg)	24,2 lbs (11 kg)	24,2 lbs (11 kg)
Sistema eléctrico:				
Batería, batería especial de iones de litio	24 V / 2,0 Ah, N° de pieza 211022355	24 V / 2,0 Ah, N° de pieza 211022355	24 V / 2,0 Ah, N° de pieza 211022355	24 V / 2,0 Ah, N° de pieza 211022355
	24V/4.0Ah, N° de pieza T0100273-00	24V/4.0Ah, N° de pieza T0100273-00	24V/4.0Ah, N° de pieza T0100273-00	24V/4.0Ah, N° de pieza T0100273-00
Fuente de alimentación	100-120 V/29 V CC	100-120 V/29 V CC	100-120 V/29 V CC	100-120 V/29 V CC
Longitud del cable de baja tensión	33 pies (10 m)	33 pies (10 m)	33 pies (10 m)	33 pies (10 m)
Consumo energético medio a uso máximo	10 kWh/mes para una superficie de trabajo de 1/4 de acre (0,10 ha)	12 kWh/mes para una superficie de trabajo de 1/2 de acre (0,20 ha)	10 kWh/mes para una superficie de trabajo de 1/4 de acre (0,10 ha)	12 kWh/mes para una superficie de trabajo de 1/2 de acre (0,20 ha)
Corriente de carga	1,3 A CC	2,4 A CC	1,3 A CC	2,4 A CC
Tiempo de carga medio (utilice el batería 211022355)	140 minutos	40 minutos	140 minutos	40 minutos
Tiempo de carga medio (utilice el batería T0100273-00)	270 minutos	70 minutos	270 minutos	70 minutos
Tiempo de corte medio (utilice el batería 211022355)	70 minutos	70 minutos	70 minutos	70 minutos
Tiempo de corte medio (utilice el batería T0100273-00)	150 minutos	150 minutos	150 minutos	150 minutos
Corte de hierba:				
Sistema de corte	Tres cuchillas de corte articuladas	Tres cuchillas de corte articuladas	Tres cuchillas de corte articuladas	Tres cuchillas de corte articuladas
Consumo medio energético durante el corte	25 W ± 20%	25 W ± 20%	25 W ± 20%	25 W ± 20%
Altura de corte	2,4-4,0 pulg. (6-10 cm)	2,4-4,0 pulg. (6-10 cm)	0,8-2,4 pulg. (2-6 cm)	0,8-2,4 pulg. (2-6 cm)
Anchura de corte	8,7 pulg. (22 cm)	8,7 pulg. (22 cm)	8,7 pulg. (22 cm)	8,7 pulg. (22 cm)
Paso más estrecho posible	24 pulg. (60 cm)	24 pulg. (60 cm)	24 pulg. (60 cm)	24 pulg. (60 cm)
Ángulo máximo para zona de corte	35%	35%	35%	35%
Ángulo máximo para cable delimitador	15%	15%	15%	15%
Longitud máxima para cable delimitador	2600 pies (800 m)	2600 pies (800 m)	2600 pies (800 m)	2600 pies (800 m)
Capacidad de trabajo máxima	1/4 de acre (0,10 ha)	1/2 de acre (0,20 ha)	1/4 de acre (0,10 ha)	1/2 de acre (0,20 ha)
Capacidad de superficie recomendada	0 - 0,2 de acre (0 - 0,08 ha)	0,1 de acre - 0,4 acre (0,04 - 0,16 ha)	0 - 0,2 de acre (0 - 0,08 ha)	0,1 de acre - 0,4 acre (0,04 - 0,16 ha)
Clasificación IP:				
Cortacésped	IPX5	IPX5	IPX5	IPX5
Estación de carga	IPX2	IPX2	IPX2	IPX2
Fuente de alimentación	IP67	IP67	IP67	IP67

FICHA DE DATOS DE RADIOFRECUENCIA

	LTE Cat M1	Dispositivos de corto alcance (SRD) (Cable delimitador)
Bandas de frecuencia	Banda 2 1900 MHz Banda 4 1700 MHz	0~148,5KHz
Clase de potencia	Clase 3 (23 dBm)	NA



Los materiales tóxicos y corrosivos que figuran a continuación se encuentran en las baterías utilizadas en esta máquina: Ion de litio, un material tóxico.

¡ADVERTENCIA! Deseche todos los materiales tóxicos de una manera especificada para evitar la contaminación del medio ambiente. Antes de desechar una batería de ion de litio dañada o agotada, contacte con la agencia local de eliminación de residuos o con la agencia de protección ambiental local para obtener información e instrucciones específicas. Lleve las baterías a un centro de reciclaje o eliminación local, certificado para la eliminación de ion de litio.

¡ADVERTENCIA! Si la batería se agrieta o se rompe, con o sin fugas, no la recargue ni la utilice. Deséchela y sustitúyala por una batería nueva. ¡NO INTENTE REPARARLA! Para evitar lesiones y riesgos de incendio, explosión o descarga eléctrica, y para evitar daños al medio ambiente:

- Cubra los terminales de la batería con cinta adhesiva resistente.
- NO intente retirar o destruir ninguno de los componentes de la batería.
- NO intente abrir la batería.
- Si se produce una fuga, los electrolitos liberados son corrosivos y tóxicos. NO deje que la solución entre en contacto con los ojos o la piel, y no la ingiera.
- NO deseche estas baterías con la basura doméstica normal.
- NO incinere.
- NO lleve las baterías a lugares donde formarán parte de vertederos de residuos o flujos de residuos sólidos urbanos.
- Llévelas a un centro de reciclaje o eliminación certificado.

GLOBGRO AB, Globe Group Europe garantiza la funcionalidad de este producto durante un periodo de dos años (a partir de la fecha de compra). La garantía cubre fallos graves debidos a defectos de materiales o de fabricación. Dentro del periodo de garantía, sustituiremos o repararemos el producto sin coste alguno si se cumplen las siguientes condiciones:

- El cortacésped y la estación de carga solo pueden utilizarse de acuerdo con las instrucciones de este manual del operario.
- Los usuarios o terceros no autorizados no deben intentar reparar el producto.

Ejemplos de fallos no cubiertos por la garantía:

- Daños debidos a la caída de un rayo.
- Daños debidos a un almacenamiento o un manejo incorrecto de la batería.
- Daños debido al uso de una batería que no es una batería original.
- Daños debidos a la utilización de piezas de repuesto y accesorios no originales, como cuchillas y material de instalación.
- Daños en la bobina de cable.

Las cuchillas se consideran desechables y no están cubiertas por la garantía.

Si se produce un fallo en su cortacésped, póngase en contacto con el distribuidor para obtener más instrucciones. Tenga a mano el ticket de compra y el número de serie del producto para obtener asistencia más rápidamente.