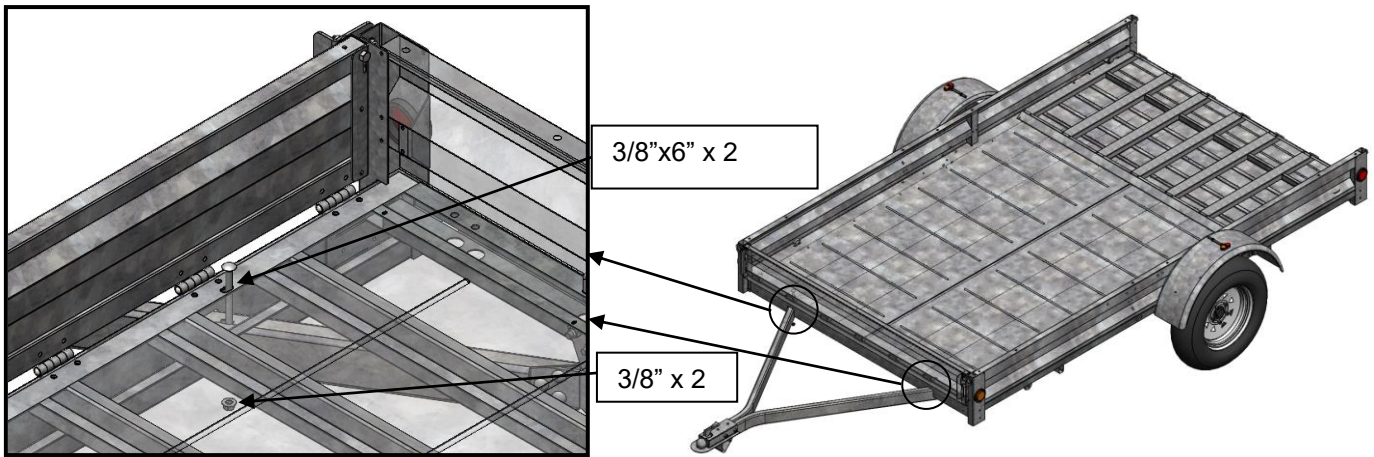
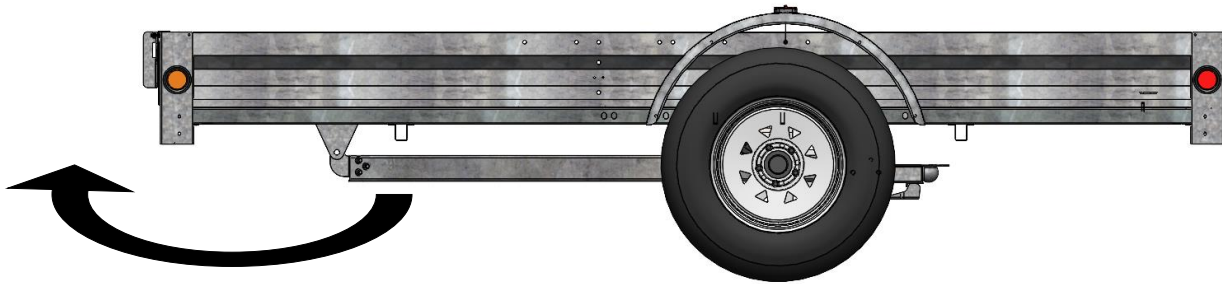


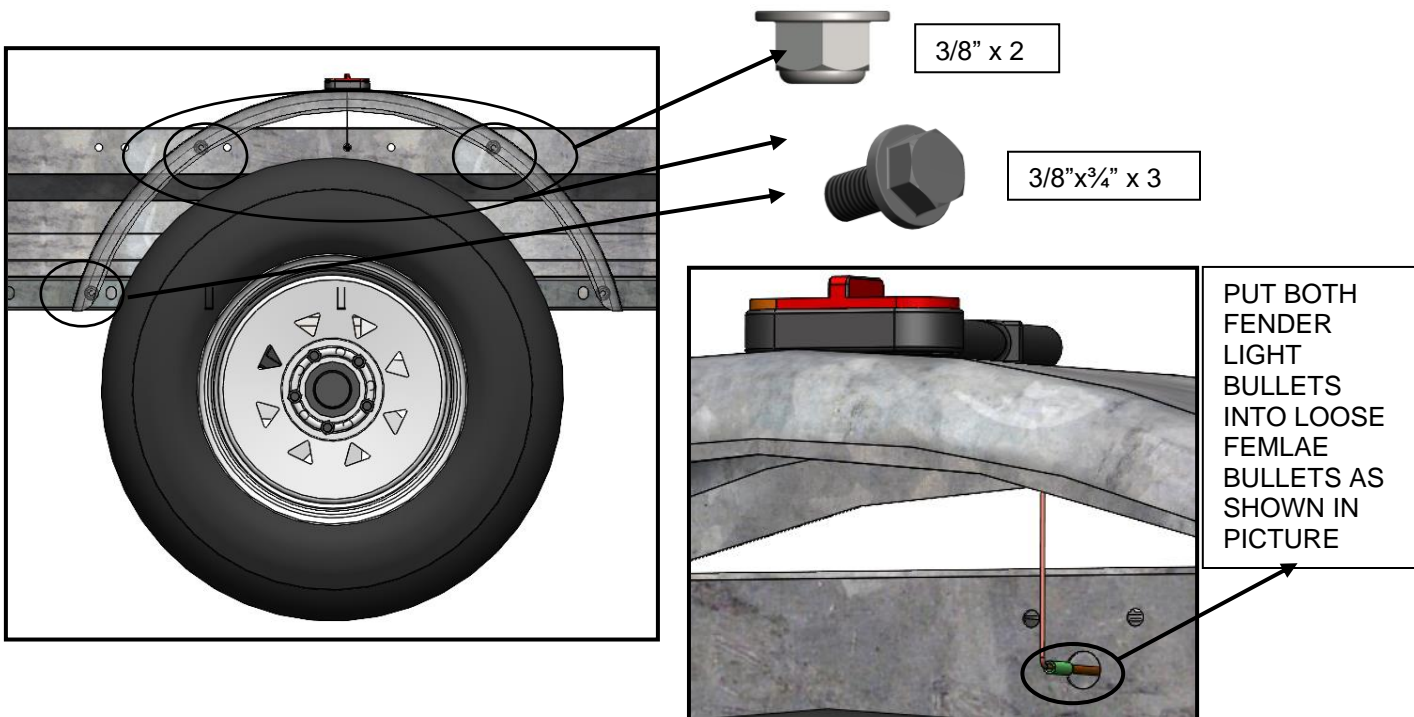
TO SETUP FOR DISPLAY & SALE



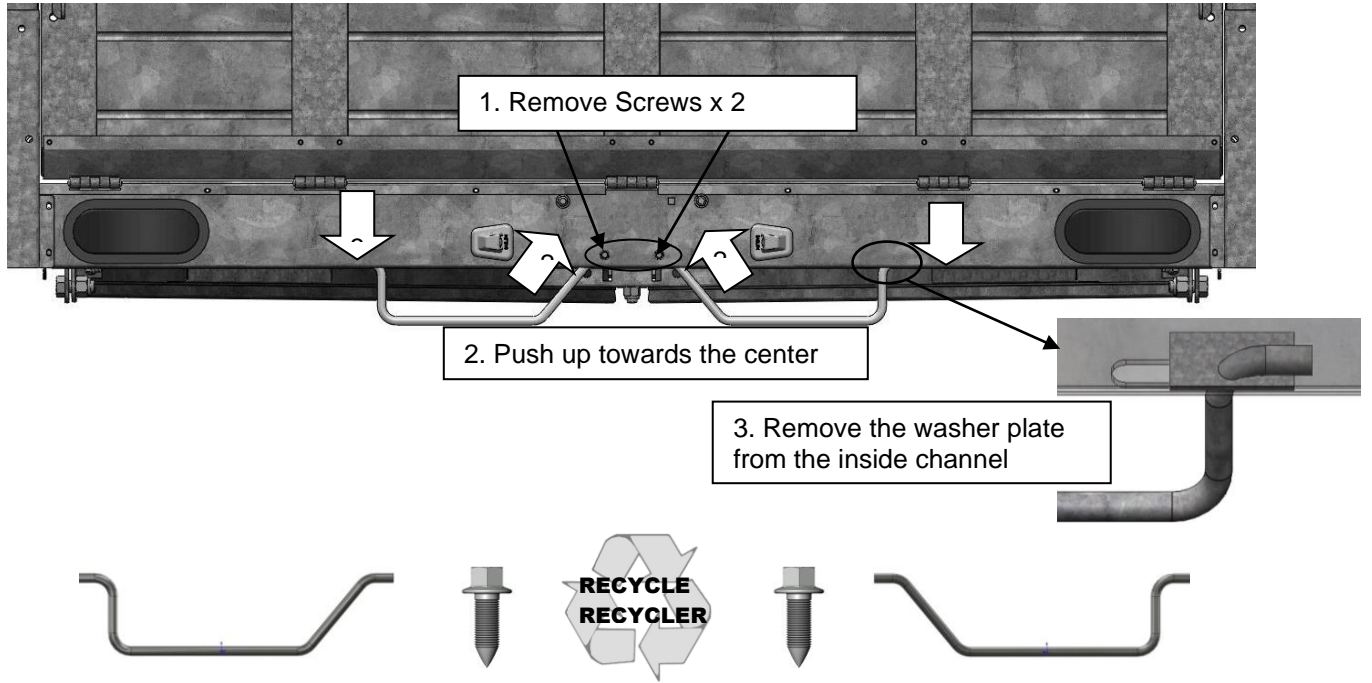
1: TONGUE INSTALLATION



2: FENDER AND FENDER LIGHT INSTALLATION



3: FORK LOOP REMOVAL



4: FRONT AND BACK GATE DISPLAY



Put latch locks to keep gates up

