

PRORUN®

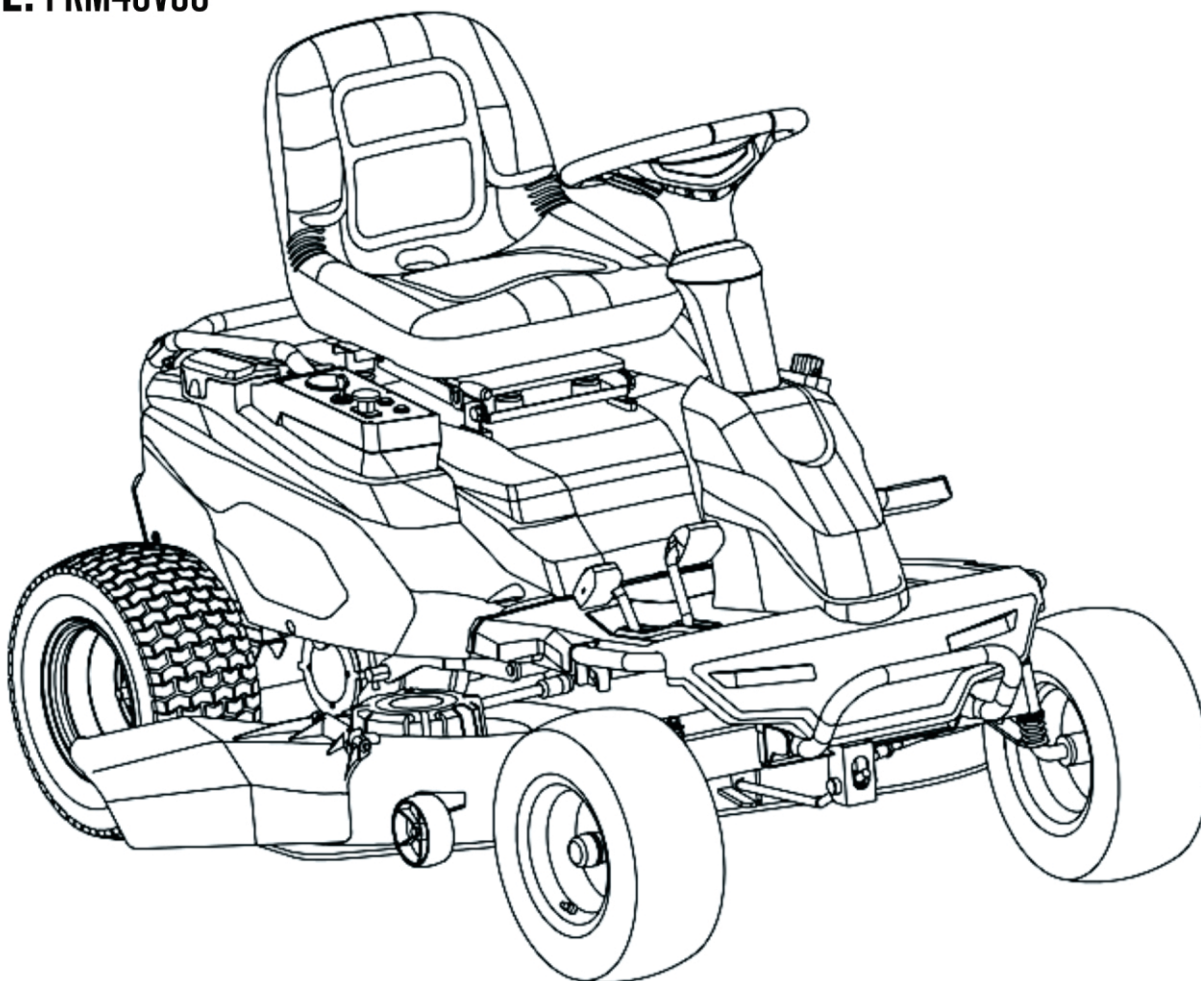
POWER and RELIABILITY™

48V

PARTS LIST

RIDING MOWER

MODEL: PRM48V38



Everything PRORUN

Please let us know what you think.
To leave a review and see our full line of products, visit:

proruntech.com ★ ★ ★ ★ ★

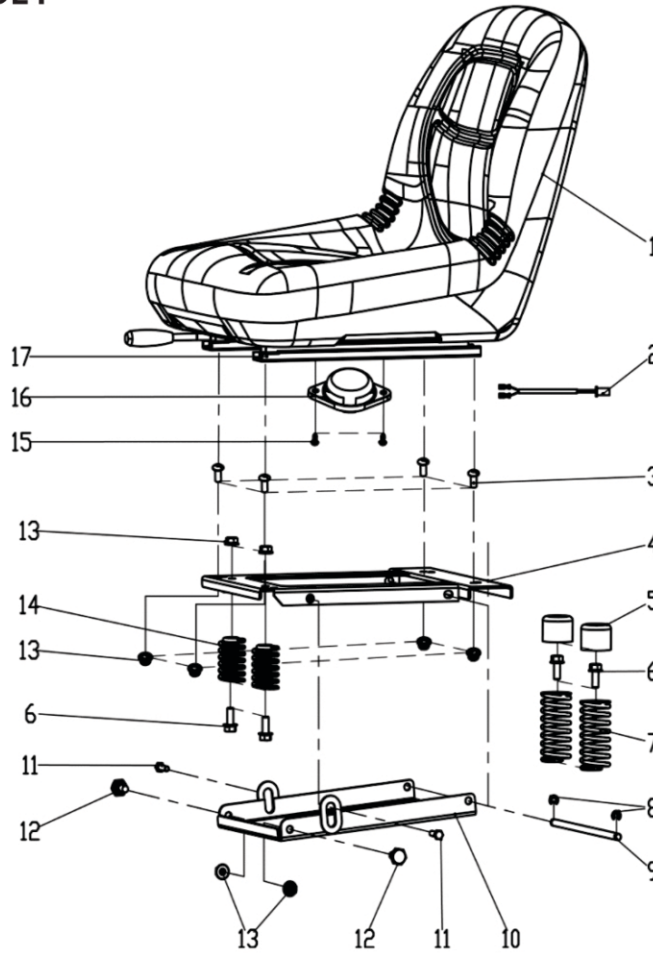
1-844-905-0882, info@proruntech.com

Version: A - Issue Date: 2024/01/01



ASSEMBLY PARTS LIST

SEAT ASSEMBLY



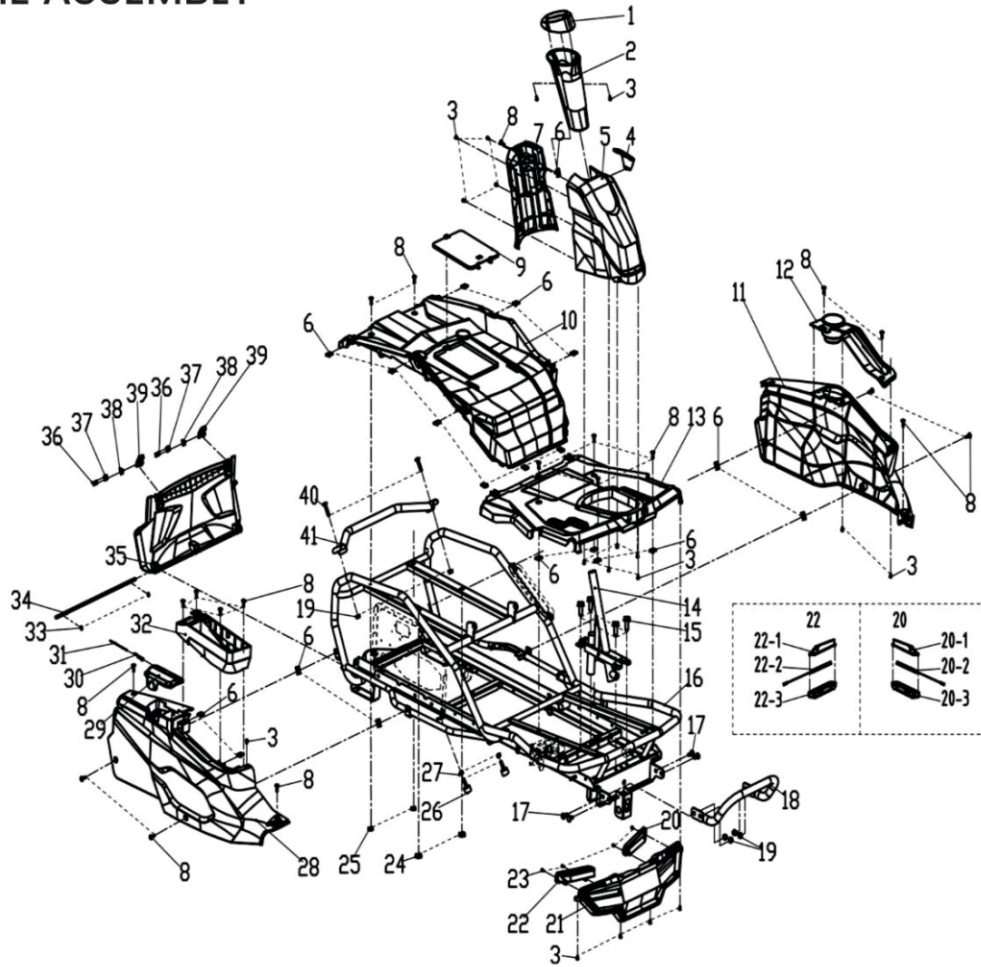
NO	PART NAME	QTY
1	SEAT ASSEMBLE	1
2	SEAT SWITCH CABLE	1
3	SCREW M8 X 16	4
4	SEAT MOUNT PLATE ASSEMBLE	1
5	SPRING CAP	4
6	HEX FLANGE BOLT M18 X 20	4
7	COMPRESS SPRING 30 X 84 X 4.5	2
8	SNAP RING 6	2
9	LONG PIN	1

NO	PART NAME	QTY
10	SEAT MOUNT BRACKET ASSEMBLE	1
11	SHOULDER SCREW	2
12	SHOULDER SCREW	2
13	HEX FLANGE LOCK NUT M8	8
14	COMPRESS SPRING 30 X 53 X 4.5	2
15	M6 X 14, GB9074.4	2
16	SEAT SWITCH ASSEMBLY	1
17	SEAT SLIDE ASSEMBLY	1



ASSEMBLY PARTS LIST

FRAME ASSEMBLY



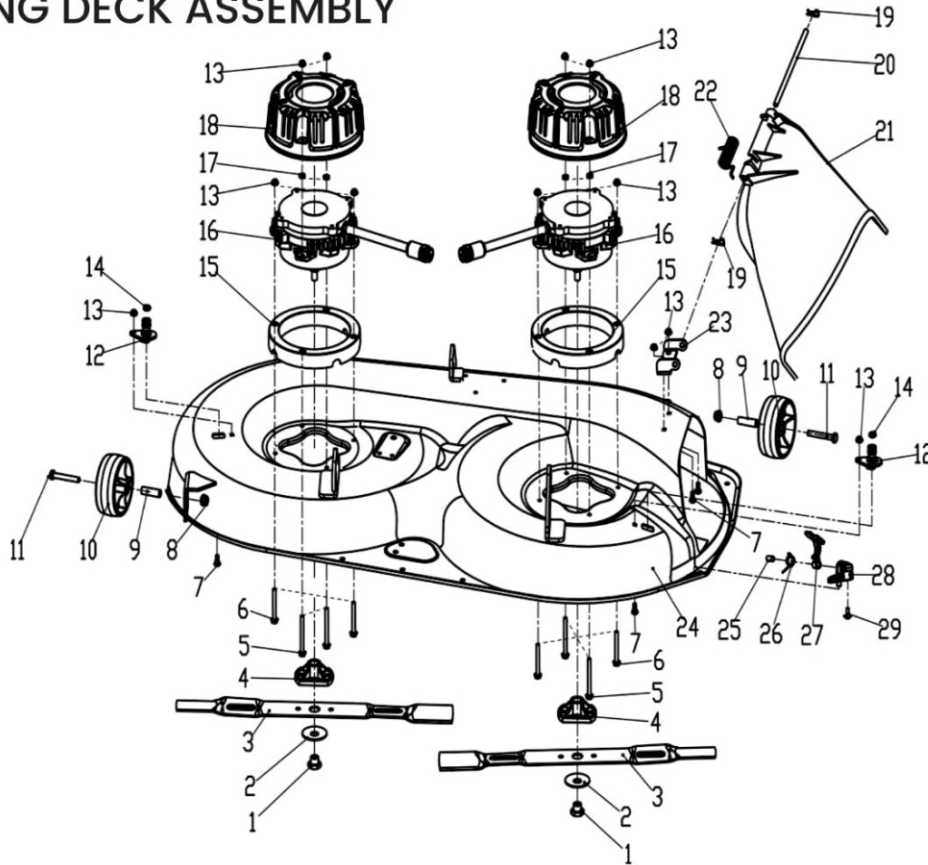
NO	PART NAME	QTY	NO	PART NAME	QTY
1	ROUNDNESS COVER	1	6	BUCKLE NUT M6	20
2	CAP	1	7	COVER AFTER STEERING SHAFT	1
3	SCREW ST4.8 X 19	18	8	HEX SOCKET SCREW M6 - 25	19
4	INLAID CAP	1	9	SQUARE OVER	1
5	FRONT COLUMN COVER	1	10	REAR BASE	1

**ASSEMBLY PARTS LIST**

NO	PART NAME	QTY	NO	PART NAME	QTY
11	LEFT COVER	1	24	NUT M8	2
12	HEIGHT INDEX BRACKET COVER	1	25	NUT M8	2
13	FOOT BOARD	1	26	CUSHIONED COLUMN XC62	2
14	STEERING BRACKET WELDS	1	27	HEX NUT M8	2
15	HEX BOLT	4	28	RIGHT COVER	1
16	FRAME ASSEMBLE	1	29	CHARGING PORT COVER	1
17	STEP BOLT M8 X 25	4	30	TORSION SPRING	1
18	BUMPER	1	31	PIN, CHARGING PORT COVER	1
19	HEX FLANGE LOCK NUT M8	6	32	SWITCH MODE MOUNT	1
20	LEFT LIGHT ASSEMBLY	1	33	OPEN RETAIN RING 6	2
20-1	LEFT LAMPSHADE	1	34	LONG PIN, REAR COVER	1
20-2	STRIP LIGHT ASSEMBLY	1	35	REAR COVER	1
20-3	LEFT LAMP HOLDER	1	36	PIN 3X23	4
21	FRONT FACE	1	37	TRANSFER BAR	2
22	RIGHT LAMP ASSEMBLY	1	38	HOOK	2
22-1	RIGHT LAMPSHADE	1	39	LOCK LEVER	2
22-2	STRIP LIGHT ASSEMBLY	1	40	STEP BOLT M8 X 40	2
22-3	RIGHT LIGHT SEAT	1	41	REAR HANDLE	1
23	SELF-TAPPING SCREW ST4.2 X 16	4			

ASSEMBLY PARTS LIST

CUTTING DECK ASSEMBLY



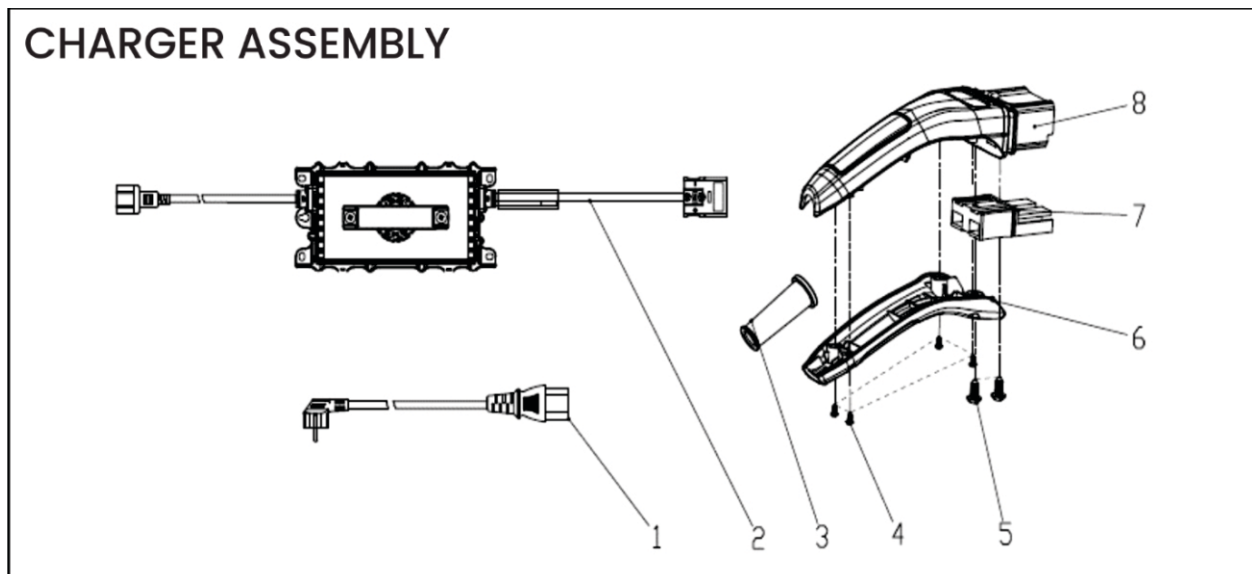
NO	PART NAME	QTY	NO	PART NAME	QTY
1	SHOULDER NUT	2	11	HEX FLANGE BOLT M8 X 60	4
2	SAUCER WASHER	2	12	DECK WASH NOZZLE	2
3	BLADE	2	13	HEX FLANGE LOCK NUT M6	12
4	BLADE ADAPTER	2	14	O SEALING RING 11.2 X 2.65	2
5	HEX FLANGE BOLT M6 X 65	4	15	MOTOR MOUNT	2
6	HEX FLANGE BOLT M6 X 50	4	16	MOTOR HM-12801BL	2
7	STEP BOLT M6 X 16	4	17	HEX NUT M6	4
8	HEX FLANGE LOCK NUT M8	2	18	MOTOR COVER	2
9	BALL WHEEL AXLE	2	19	BOW-TIE COTTER PIN 2	2
10	DECK BALL WHEEL	2	20	HINGE PIN	1



ASSEMBLY PARTS LIST

NO	PART NAME	QTY
21	DISCHARGE CHUTE	1
22	TORSION SPRING	1
23	CHUTE BRACKET	1
24	DECK ASSEMBLE 38 IN	1
25	TTTM865	1

NO	PART NAME	QTY
26	TTTM865	1
27	SELF-LOCKING SNAP-ON TTM86S	1
28	SELF-LOCKING SNAP-ON TTM86S	1
29	SELF TAPPING SCREW ST4.8 X 13	1

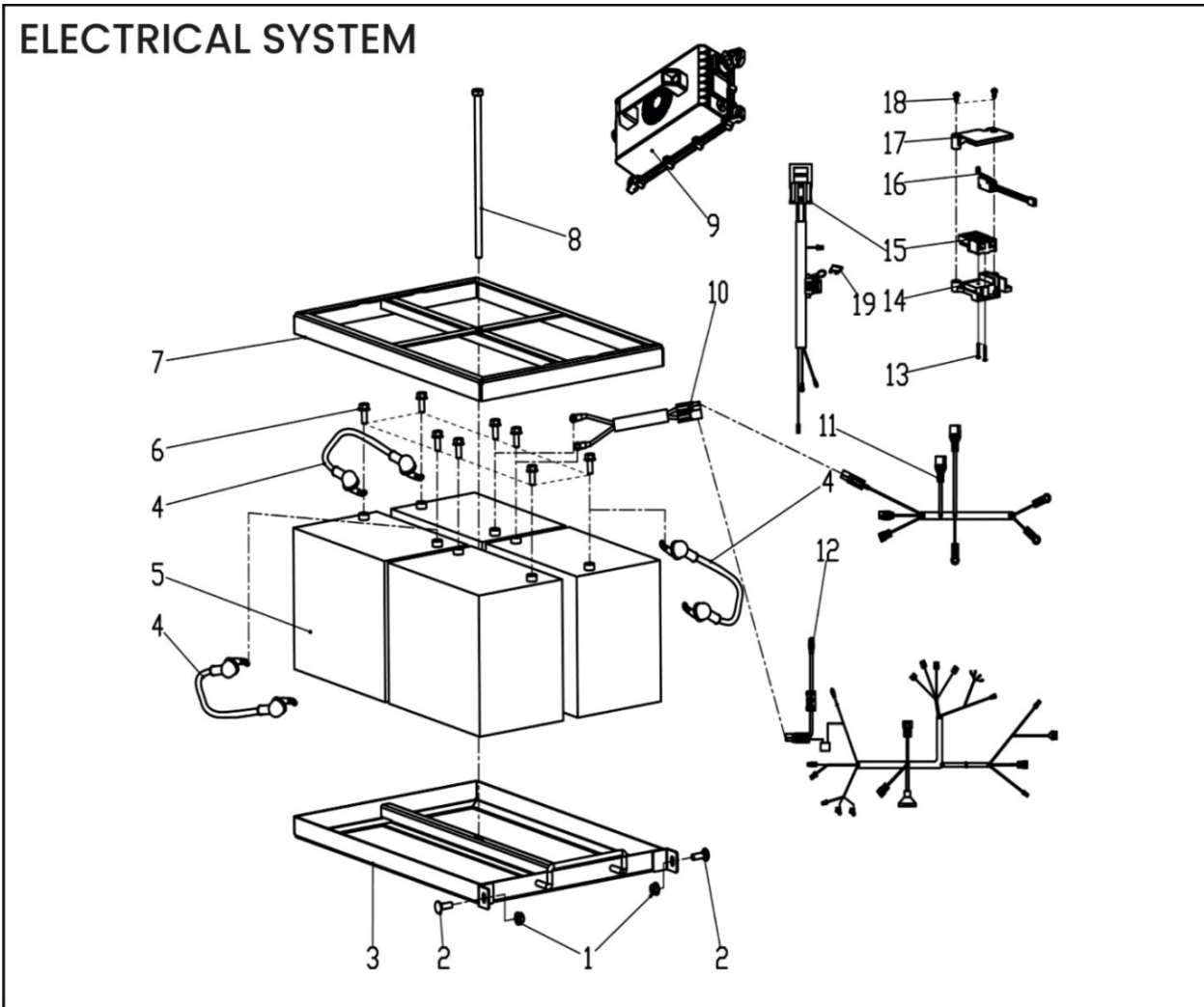


NO	PART NAME	QTY
1	POWER CORD 1.2M	1
2	CHARGER: 100-240V / 48V 8A	1
3	POWER CORD SHEATH	1
4	SCREW ST2.9 X 13	4

NO	PART NAME	QTY
5	SELF-TAPPING SCREW ST4.2 X 16	2
6	CHARGING GUN COVER	1
7	CHARGER CONNECTOR BRM148S SES	1
8	CHARGER GUN HOLDER BRM 148S	1



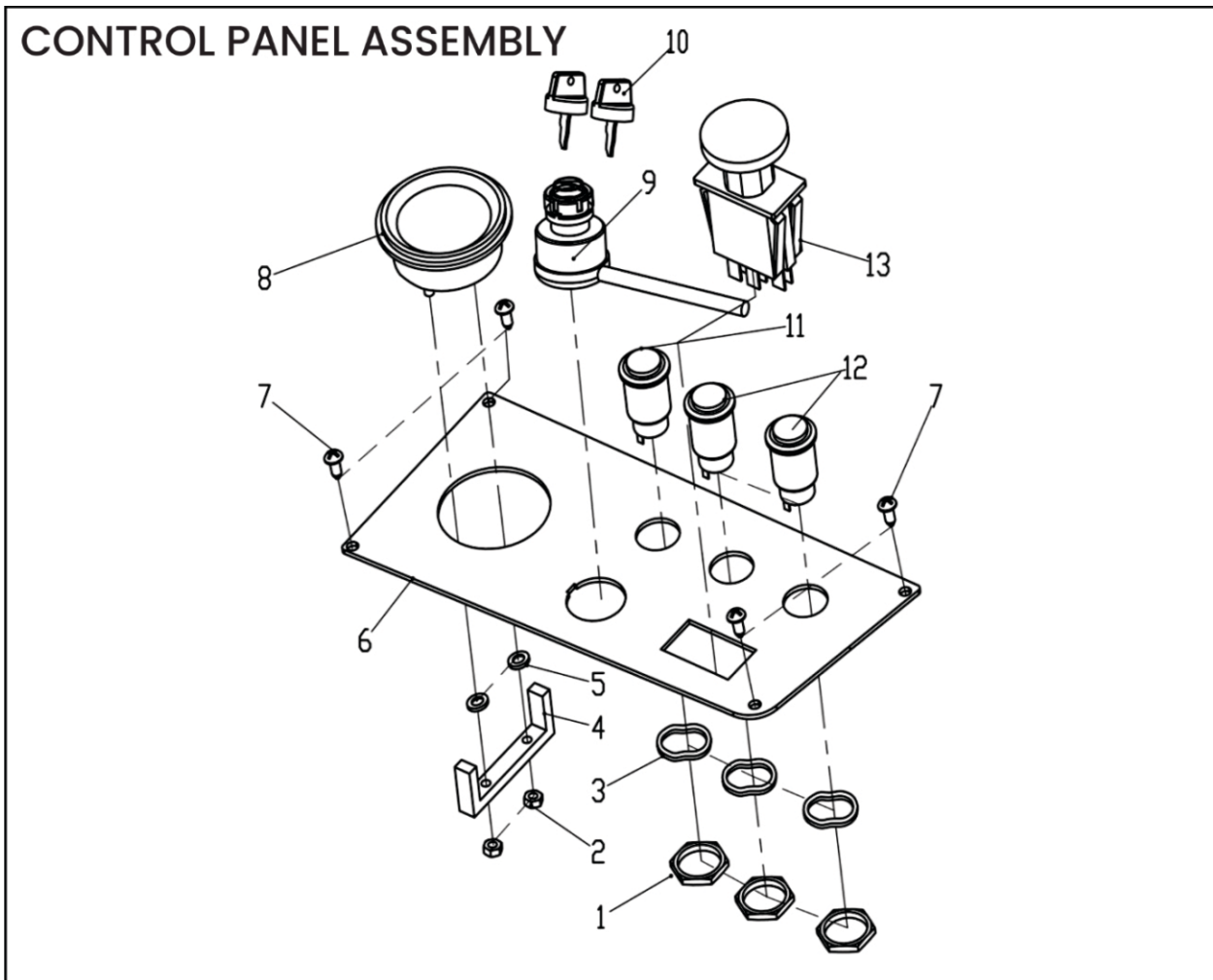
ASSEMBLY PARTS LIST



NO	PART NAME	QTY	NO	PART NAME	QTY
1	HEX FLANGE LOCK NUT M8	2	11	BATTERY CABLE 48V	1
2	STEP BOLT M8 X 25	2	12	CONTROL CABLE	1
3	BATTERY TRAY	1	13	SELF TAPPING SCREW ST4.2 X 16	2
4	BATTERY CABLE	3	14	CHARGING BAY MOUNT	1
5	LEAD ACID BATTERY 12V	4	15	CHARGER INTERFACE HARNESS	1
6	HEX FLANGE BOLT M6 X 16	8	16	ALARM SWITCH ASSEMBLY	1
7	BATTERY CLAMP	1	17	SHIELD	1
8	BATTERY HLD BOLT M10X 1.25 X 230	1	18	ST4.8 X 35	2
9	BATTERY CHARGER	1	19	FUSE 20A	1
10	BATTYRY CHARGER CABLE	1			



ASSEMBLY PARTS LIST

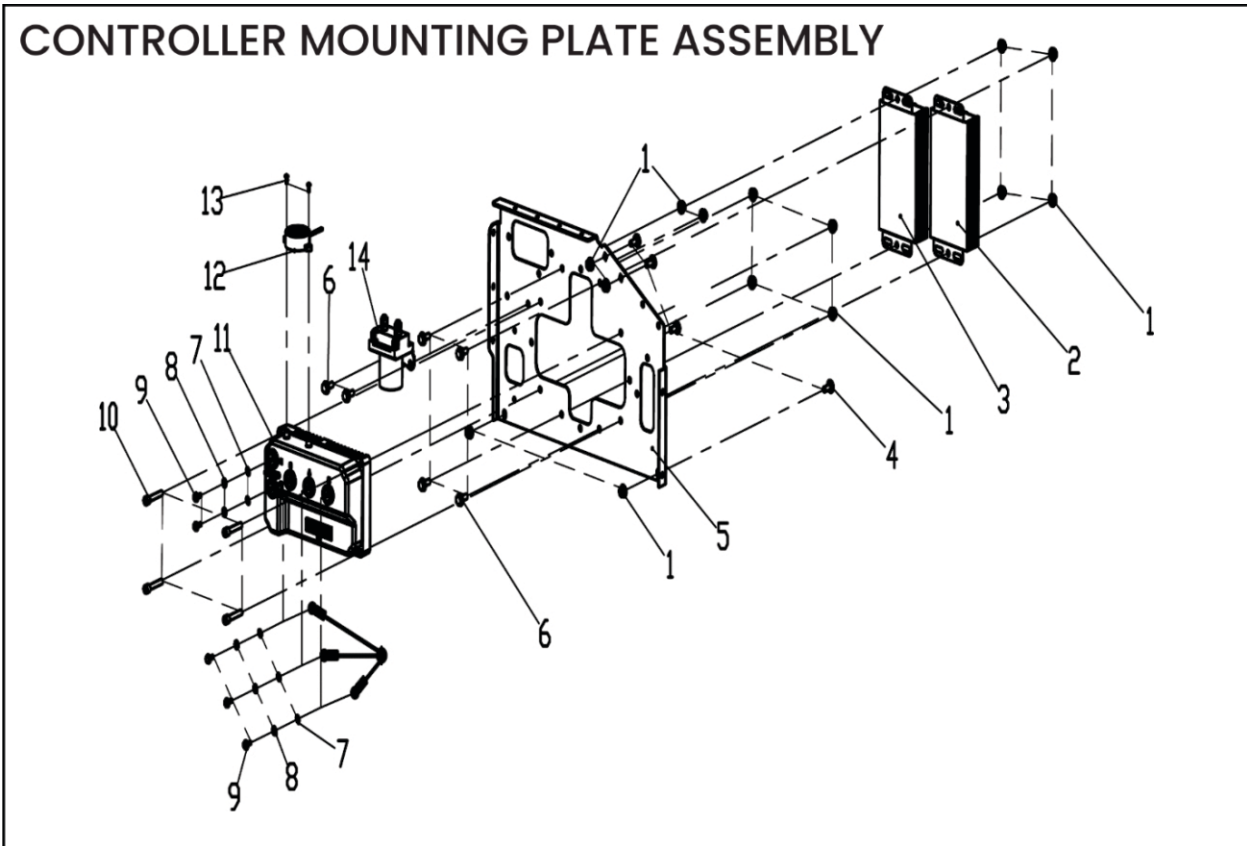


NO	PART NAME	QTY
1	HEX THIN NUT M19 X 1	3
2	HEX NUT M4	2
3	WAVE WASHER 20	3
4	VOLTMETER BRACKET	1
5	FLAT WASHER 6	2
6	PLATE	1
7	SELF TAPPING SCREW ST3.5 X 13	5

NO	PART NAME	QTY
8	VOLTMETER	1
9	KEY SWITCH	1
10	ELECTRIC DOOR LOCK KEY	2
11	BUTTON SWITCH (LED)	1
12	BUTTON SWITCH	2
13	PTO SWITCH	1



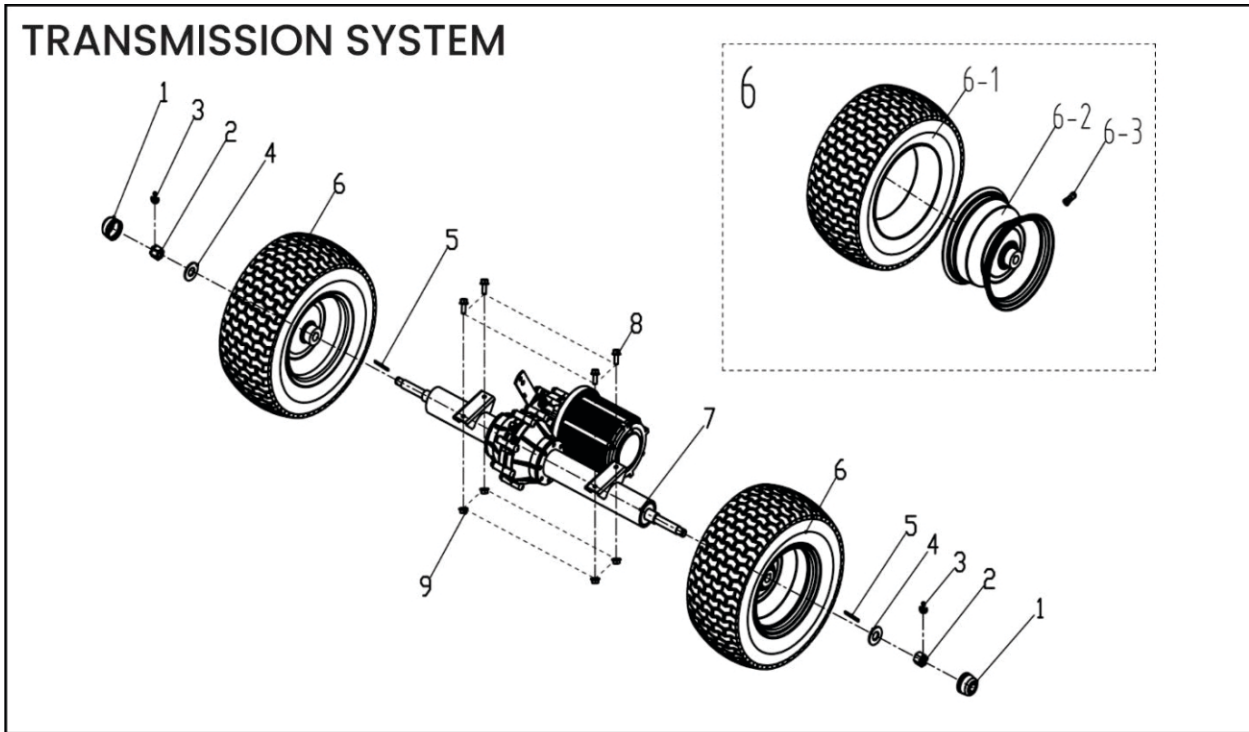
ASSEMBLY PARTS LIST



NO	PART NAME	QTY	NO	PART NAME	QTY
1	HEX FLANGE LOCK NUT M6	14	8	SPRING WASHER 5	5
2	BLADE CONTROL MODULE 08B	1	9	HEX BOLT M5 X 12	5
3	BLADE CONTROL MODULE 07B	1	10	ALLEN SCREW M6 X 35	4
4	HEX FLANGE BOLT M6 X 16	4	11	HOST CONTROLLER YPK1006	1
5	CONTROLLER MOUNTING PLATE	1	12	BUZZER BZM160S 3-24V	1
6	HEX FLANGE BOLT M6 X 16	6	13	SCREW ST2.9X8	2
7	FLAT WASHER 5	5	14	CONTACTOR 48V 150A	1



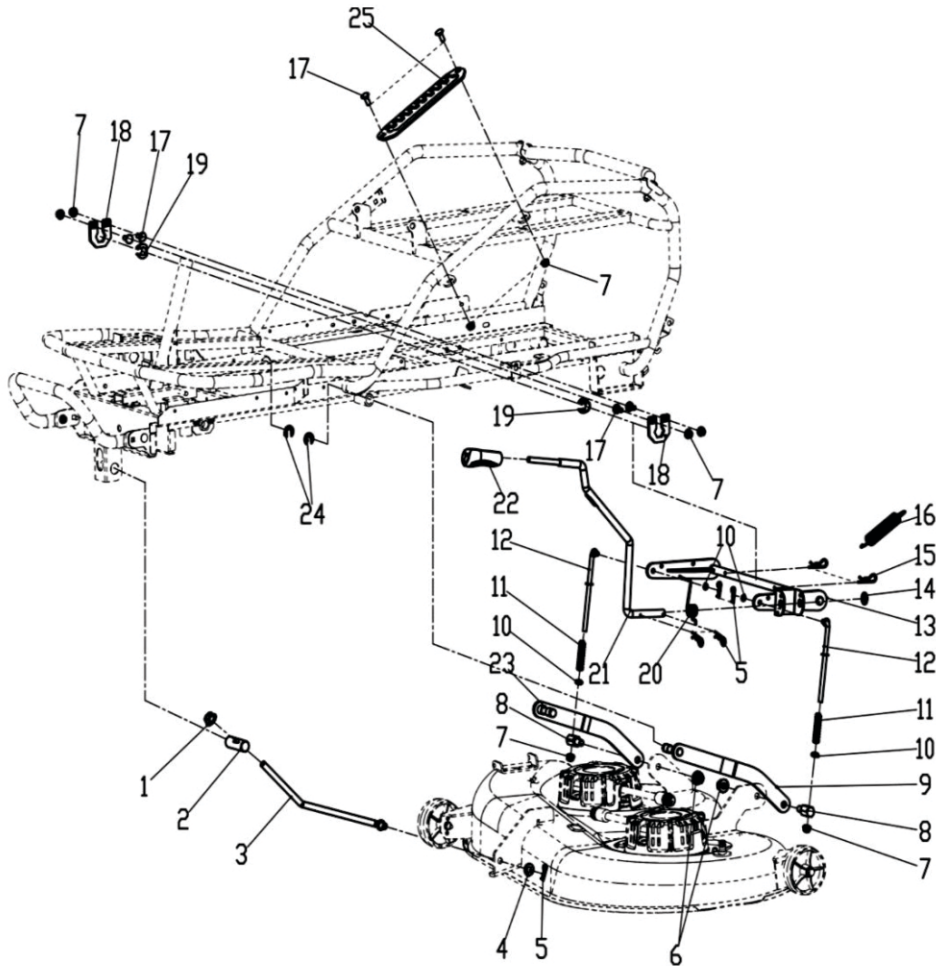
ASSEMBLY PARTS LIST



NO	PART NAME	QTY	NO	PART NAME	QTY
1	HUB COVER	2	6-1	COMPLETE WHEEL 16 X 6.5-8	2
2	HEX SLOTTED NUT M16 X 1.5	2	6-2	RIM ONLY 6.5-8	2
3	COTTER PIN 3.2 X 25	2	6-3	VALUE TUBELESS	2
4	WASHER 17 X 44 X 2	2	7	REAR AXIL ASSEMBLY	1
5	KEY 4.75 X 4.75 X 60	2	8	HEX FLANGE BOLT M8 X 20	4
6	COMPLETE WHEEL 16 X 6.5-8	2	9	HEX FLANGE NUT M8	4



DECK LIFT SYSTEM - MANUAL



NO	PART NAME	QTY	NO	PART NAME	QTY
1	HEX LOCK NUT M12 X 1.25	1	6	HEX NUT M10 X 1.25	2
2	DECK LIFT PIVOT (FRONT)	1	7	HEX FLANGE LOCK NUT M8	8
3	DECK LIFT ROD (FRONT)	1	8	DECK LIFT PIVOT (REAR)	2
4	WASHER 12	1	9	DECK LIFT ARM ASSEMBLY LH	1
5	BOW-TIE COTTER PIN 2	5	10	WASHER 8	4

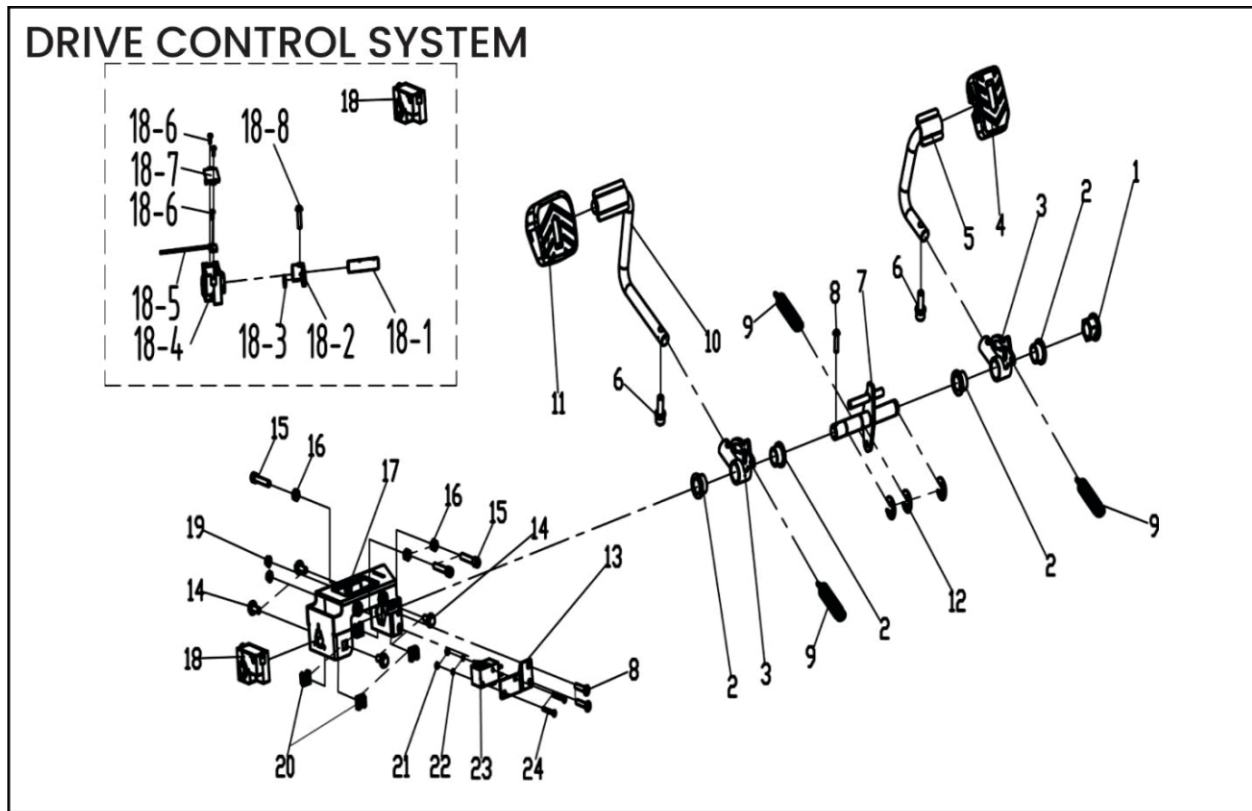


ASSEMBLY PARTS LIST

NO	PART NAME	QTY
11	COMPRESS SPRING 12 X 62 X 2	2
12	DECK LIFT ROD (REAR)	2
13	DECK LIFT SHIFT ASSEMBLE	1
14	WASHER 14	1
15	BOW-TIE COTTER PIN 3	2
16	EXTENSION SPRING	1
17	STEP BOLT M8 X 25	6
18	SUSPENSION MOUNT	2

NO	PART NAME	QTY
19	HEX SNAP BUSH	2
20	TORSION SPRING	1
21	LIFT ROD	1
22	GRIP	1
23	DECK LIFT ARM ASSEMBLE RH	1
24	SNAP RING 12	2
25	DECK HEIGHT INDEX BRACKET	1

ASSEMBLY PARTS LIST



NO	PART NAME	QTY	NO	PART NAME	QTY
1	HEX RUBBER BUSH	1	10	FORWARDS PEDAL ARM ASSEMBLE	1
2	RUBBER BUSH	4	11	FORWARDS PEDAL	1
3	MOUNT ASSEMBLE	2	12	SNAP RING 12	2
4	REVERSE PEDAL	1	13	REVERSE SWITCH SEAT	1
5	REVERSE PEDAL ARM ASSEMBLE	1	14	HEX FLANGE BOLT M6 X 16	4
6	SOCKET HEAD SCREW M8 X 20	2	15	ALLEN SCREW M6 X 35	3
7	CONTROL SPINDLE ASSEMBLY	1	16	HEX NUT M6	3
8	SCREW M5X18	3	17	ACCELERATOR BRACKET WELDMENTS	1
9	DRAG SPRING	3	18	THROTTLE SENSOR ASSEMBLE	1

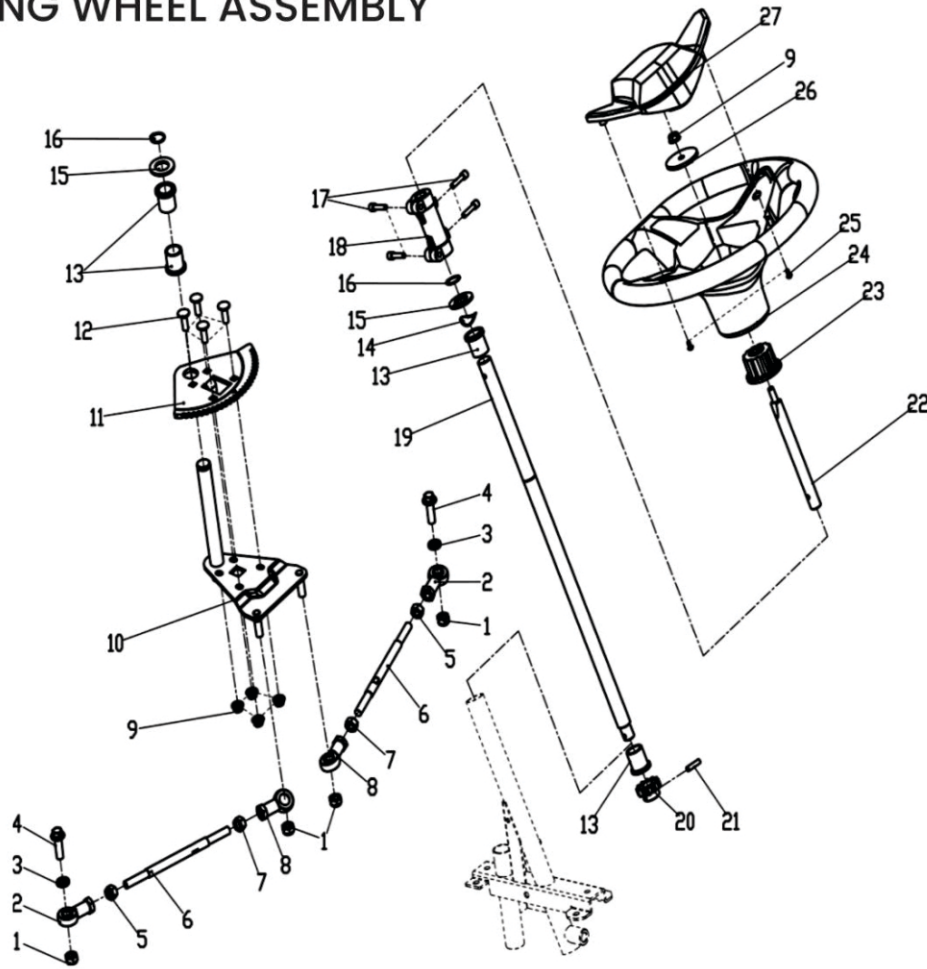


ASSEMBLY PARTS LIST

NO	PART NAME	QTY	NO	PART NAME	QTY
18-1	PIVOT	1	18-8	SCREW M5 X 18	1
18-2	MAGNET MOUNT	1	19	HEX NUT M5	2
18-3	MAGNET	1	20	HEX NUT M6	4
18-4	BODY	1	21	HEX NUT M3	2
18-5	THROTTLE SENSOR	1	22	ELASTIC RING 3	2
18-6	SCREW ST2.9 X 8	3	23	HEX NUT BRM148S-108	1
18-7	COVER	1	24	SCREW M3 X 30	2

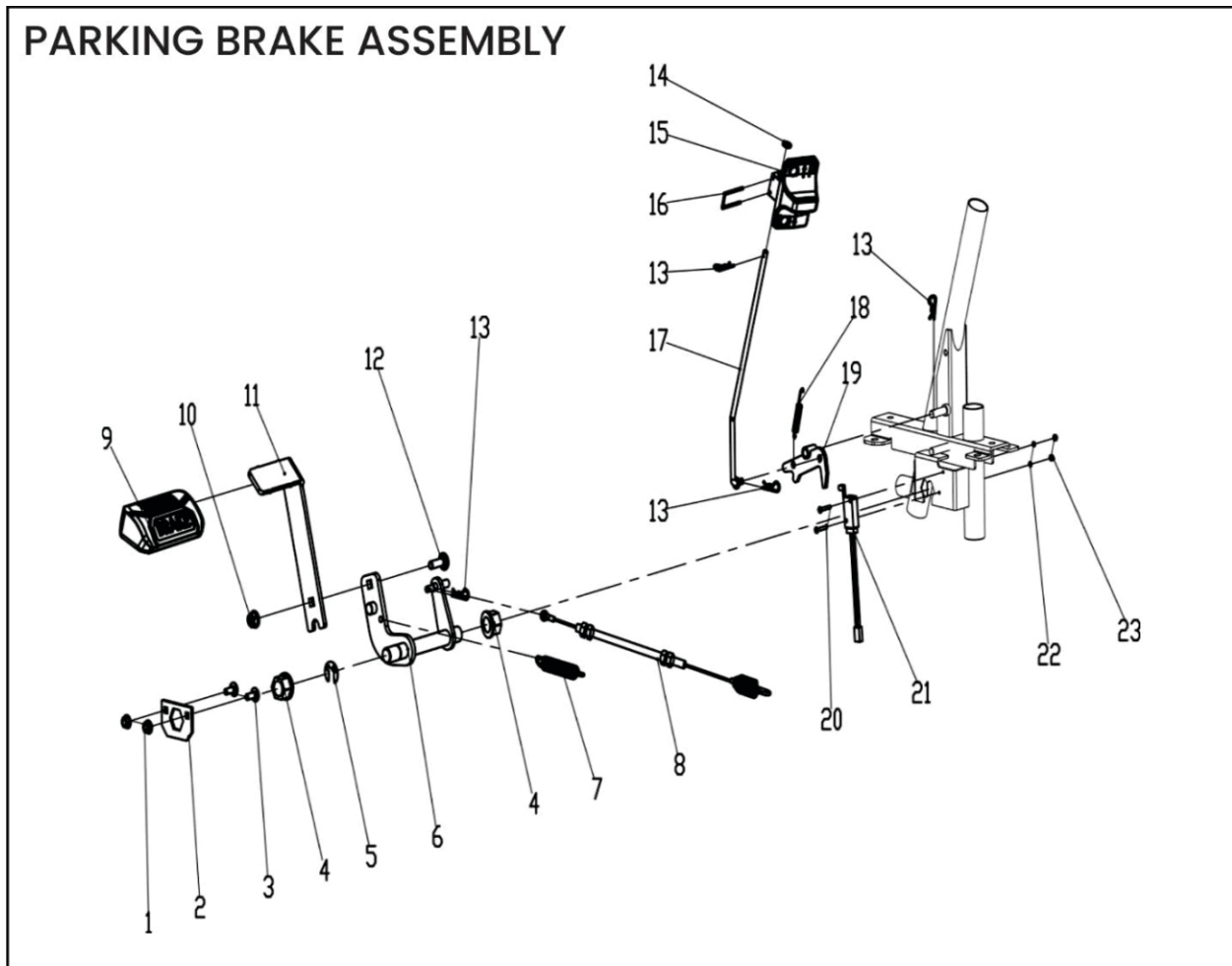


STEERING WHEEL ASSEMBLY



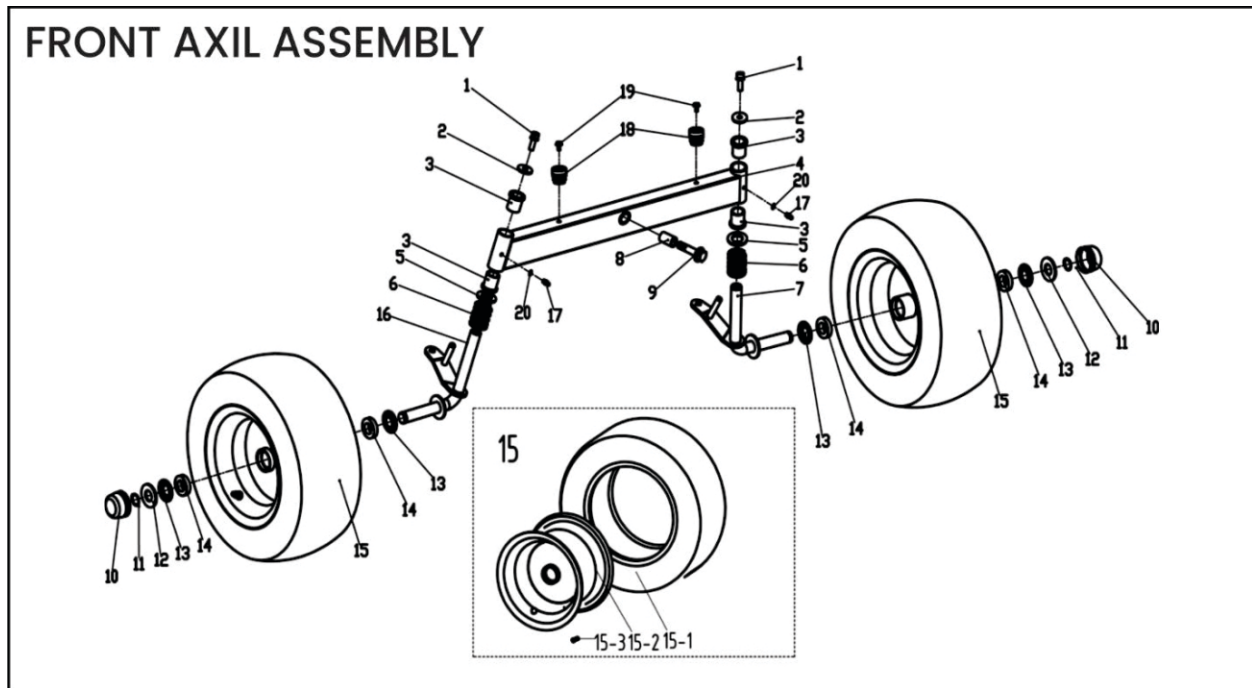
NO	PART NAME	QTY	NO	PART NAME	QTY
1	HEX LOCK NUT M10X1.25	4	6	DRAG LINK	2
2	JOIN BEARING SIJK10C LH	2	7	HEX NUT M10	2
3	WASHER φ10.1 X φ20 X 4	2	8	JOIN BEARING SIJK10C	2
4	HEX FLANGE BOLT M10X1.25X35	2	9	HEX FLANGE LOCK NUT M8	5
5	HEX NUT M10 LH	2	10	STEERING SPINDLE ASSEMBLY	1

ASSEMBLY PARTS LIST



NO	PART NAME	QTY	NO	PART NAME	QTY
1	HEX FLANGE LOCK NUT M6	2	13	BOW-TIE COTTER PIN 2	4
2	BRAKE SHAFT SEAT LEFT	1	14	WASHER 6	1
3	BOLT M6 X 16	2	15	PARKING HANDLE	1
4	HEX RUBBER BUSH	2	16	U-SHAPE LATCH	1
5	SNAP RING 12	1	17	DRAG LINK, BRAKE PARKING	1
6	BRAKE SPINDLE ASSEMBLY	1	18	DRAG SPRING, BRAKE PARKING	1
7	DRAG SPRING, CONTROL	1	19	PARKING PLATE ASSEMBLY	1
8	BRAKE CABLE ASSEMBLY	1	20	SCREW M3 X 20	2
9	BRAKE PEDAL	1	21	ALARM SWITCH ASSEMBLY	1
10	HEX FLANGE LOCK NUT M8	1	22	HEX NUT M3	2
11	BRAKE PEDAL PLATE ASSEMBLY	1	23	ELASTIC RING 3	2
12	BOLT M8 X 25	1			

ASSEMBLY PARTS LIST



NO	PART NAME	QTY	NO	PART NAME	QTY
1	HEX FLANGE BOLT M8 X 25	2	13	WASHER, BEARING	4
2	WASHER	2	14	BEARING 61904-2RZ	4
3	HEXAGON RUBBER BUSH	4	15	COMPLETE WHEEL 15 X 6-6	2
4	FRONT BEAM	1	15-1	TIRE ONLY 15 X 6-6	2
5	WASHER 20	2	15-2	RIM ONLY 6-6	2
6	COMPRESSION SPRING 30 X 43 X 4.5	2	15-3	VALUE TUBELESS	2
7	FRONT AXLE LH	1	16	FRONT AXLE RH	1
8	HUB	1	17	GREASE FITTING M6	2
9	HEX FLANGE BOLT M12 X 1.25 X 50	1	18	YD-KU01-45	2
10	HUB COVER	2	19	M5 X 12	2
11	AXIAL ELASTIC RING 19	2	20	WASHER 6	2
12	WASHER $\phi 20$ X $\phi 43$ X3	2			

PRORUN regularly improves our products, and you may find slight differences between your machine and descriptions contained within this parts list. Modifications can be made to the machine without notice and without the obligation to update the operator's manuals, provided that the essential safety and functional characteristic remain unaltered. Contact PRORUN Customer Service with any questions and current specifications.