

CRAFTSMAN®

INSTRUCTION MANUAL | GUIDE D'UTILISATION | MANUAL DE INSTRUCCIONES

Blower Vac Souffleur Aspirateur Aspiradora

CMEBL7000



IF YOU HAVE QUESTIONS OR COMMENTS, CONTACT US.
POUR TOUTE QUESTION OU TOUT COMMENTAIRE, NOUS CONTACTER.
SI TIENE DUDAS O COMENTARIOS, CONTÁCTENOS.

1-888-331-4569 WWW.CRAFTSMAN.COM

English (**original instructions**)

1

Français (*traduction de la notice d'instructions originale*)

11

Español (*traducido de las instrucciones originales*)

21

Definitions: Safety Alert Symbols and Words

This instruction manual uses the following safety alert symbols and words to alert you to hazardous situations and your risk of personal injury or property damage.

! **DANGER:** Indicates an imminently hazardous situation which, if not avoided, **will** result in **death or serious injury**.

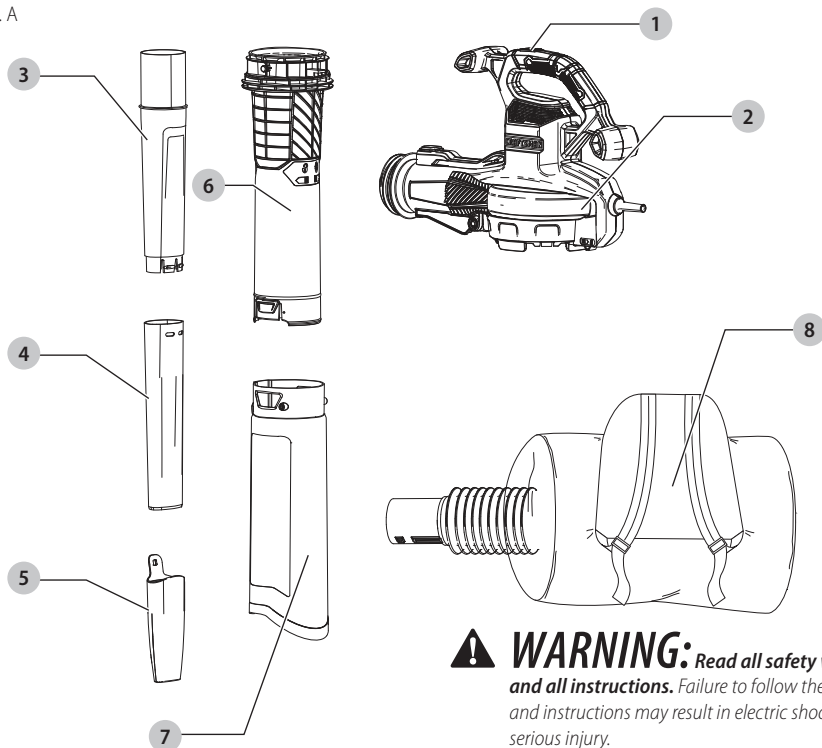
! **WARNING:** Indicates a potentially hazardous situation which, if not avoided, **could** result in **death or serious injury**.

! **CAUTION:** Indicates a potentially hazardous situation which, if not avoided, **may** result in **minor or moderate injury**.

! (Used without word) Indicates a safety related message.

NOTICE: Indicates a practice **not related to personal injury** which, if not avoided, **may** result in **property damage**.

Fig. A



! **WARNING:** Read all safety warnings and all instructions. Failure to follow the warnings and instructions may result in electric shock, fire and/or serious injury.

! **WARNING:** To reduce the risk of injury, read the instruction manual.

If you have any questions or comments about this or any product, call CRAFTSMAN toll free at: 1-888-331-4569.


- | | |
|-------------------|---------------------------|
| 1 On/Off Switch | 5 Concentrator |
| 2 Power head | 6 Upper vac tube |
| 3 Upper blow tube | 7 Lower vac tube |
| 4 Lower blow tube | 8 Backpack collection bag |

Blower Vac CMEBL7000



IMPORTANT SAFETY INSTRUCTIONS

READ ALL INSTRUCTIONS BEFORE USING THIS APPLIANCE

When using this appliance, basic safety precautions should always be followed including the following:

-  **WARNING:** To reduce the risk of fire, electric shock and injury:
 - **Do not leave the appliance when connected to power source.** Unplug from outlet when not in use and before servicing.
 - **Do not use on wet surfaces.** Do not expose to rain. Store indoors.
 - **Do not allow appliance to be used as a toy.** Close attention is necessary when used by or near children.
 - **Use this appliance ONLY as described in the manual.** Use only recommended attachments.
 - **Do not use this appliance if it is showing signs of malfunction in any way.** If the appliance is not working correctly, has been dropped, damaged, left outdoors, or dropped into water, return it to a service center.
 - **Do not pull or carry by cord, use cord as a handle, close a door on cord, or pull cord around sharp edges or corners.** Do not run appliance over cord. Keep cord away from heated surfaces.
 - **Do not unplug by pulling on cord.** To unplug, grasp the plug, not the cord.
 - Do not handle plug or the appliance with wet hands.
 - **Do not put any objects into the openings of the appliance.** Do not use the appliance with any opening blocked; keep free of dust, lint, hair and anything else that may reduce air flow.
 - Keep hair, loose clothing, fingers, and all body parts away from the openings and moving parts.
 - Turn off all controls before disconnecting from power source.
 - Use extra care when cleaning on stairs.
 - Do not use the appliance to pick up flammable or combustible liquids, such as gasoline, or use in areas where flammable or combustible liquids are present.

Additional Safety Instructions

-  **WARNING:** When using an electric appliance, basic safety precautions should always be followed to reduce risk of fire, electric shock, and personal injury, including the following.
-  **WARNING:** Read all safety warnings and all instructions. Failure to follow the warnings and instructions may result in electric shock, fire and/or serious injury.
-  **WARNING:** Never allow children, persons with reduced physical, sensory or mental capabilities or lack of experience and knowledge or people unfamiliar with these instructions to use the machine, local regulations may restrict the age of the operator.

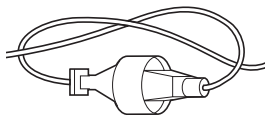
To Reduce Risk of Injury:

- **Avoid dangerous environmental conditions** – Do not use electric units in damp or wet locations. Don't use the unit in the rain.
- **Use safety equipment.** Always wear eye protection, filter mask if operation is dusty, non-skid safety shoes, or hearing protection must be used for appropriate conditions.
- **Use the right unit** – Do not use this unit for any job except that for which it is intended.
- **Inspect the area** before using the unit. Remove all debris and hard objects such as rocks, glass, wire, etc. that can ricochet, be thrown, or otherwise cause injury or damage during operation.
- **Keep children, bystanders and animals away** from the work area a minimum of 30 feet (10 meters) when starting or operating the unit.
- **Maintain unit with care.** Keep unit clean for best and safest performance. Follow instructions for proper maintenance.
- **Stay alert** - Watch what you are doing. Use common sense. Do not operate unit when you are tired.
- **Do not** place outlet of blower near eyes or ears when operating.
- **Do not** operate the machine while people, especially children, or pets are nearby.
- **Do not** touch moving hazardous parts before the machine is disconnected from the power source and the moving hazardous parts have come to a complete stop.
- If the machine starts to vibrate abnormally, disconnect it from the power source and immediately check.
- **Do not** attempt to clear clogs from unit without first disconnecting it from the power source.

SAVE THESE INSTRUCTIONS

- **Do not** immerse any part of the unit in liquid.
- **Do not use unit if switch does not turn it on or off.** A unit that cannot be controlled with the switch is dangerous and must be repaired.
- **Do not** allow debris to be ingested into blower intake.
- **Do not** point unit discharge at self or bystanders.
- **Do not** pick up anything that is burning or smoking, such as cigarettes, matches or hot ashes.
- **Do not** use to blow explosive dust, or in areas where air contains explosive dust such as coal, grain, or other combustible material.
- **Do not attempt to repair the blower.** To assure product safety and reliability, repairs, maintenance, and adjustments should be performed by authorized service centers.
- **Do not operate blower in a gaseous or explosive atmosphere.** Motors in these units normally spark, and the sparks might ignite fumes.
- **Do not overreach.** Keep proper footing and balance at all times.
- **Do not leave appliance when plugged in.** Unplug from outlet when not in use and before servicing.
- **Do not use with damaged cord or plug.** If appliance is not working as it should, has been dropped, damaged, left outdoors, or dropped into water, return it to a service center.
- **Never leave blower running unattended.** Turn power off.
- Unplug before connecting the tube.
- **Store idle units.** When not in use, the unit should be stored in a dry, high or locked-up place - out of reach of children.
- **This appliance is provided with double insulation.** Use only identical replacement parts. See instructions for **Servicing of Double-Insulated Appliances.**
- To reduce the risk of electric shock, use only with an extension cord intended for outdoor use, such as SJW or SJTW.
- To reduce the risk of disconnection of appliance cord from the extension cord during operating:
 - i) Make a knot as shown in Figure B; or
 - ii) Use one of the plug-receptacle retaining straps or connectors described in this manual.
 OR
 - iii) Secure the extension cord to the appliance plug as shown or described in **Extension Cord Retainer.**

Fig. B



- **Maintain Appliance With Care –** Inspect extension cords periodically and replace if damaged.

⚠ WARNING: To reduce the risk of personal injury due to a loose electrical connection between the appliance's plug and extension cord, firmly and fully attach the appliance plug to the extension cord. Periodically check the connection while operating to ensure it is fully attached. Do not use an extension cord that provides a loose connection. A loose connection may result in overheating, fire, and increases the risk of a burning.

SAVE THESE INSTRUCTIONS

Additional Safety Information

⚠ WARNING: Never modify the power tool or any part of it. Damage or personal injury could result.

⚠ WARNING: ALWAYS use safety glasses. Everyday eyeglasses are NOT safety glasses. Also use face or dust mask if operation is dusty. ALWAYS WEAR CERTIFIED SAFETY EQUIPMENT:

- ANSI Z87.1 eye protection (CAN/CSA Z94.3),
- ANSI S12.6 (S3.19) hearing protection,
- NIOSH/OSHA/MSHA respiratory protection.

⚠ WARNING: Some dust contains chemicals known to State of California to cause cancer, birth defects or other reproductive harm. Some examples of these chemicals are:

- compounds in fertilizers,
- compounds in insecticides, herbicides and pesticides,
- arsenic and chromium from chemically treated lumber.

To reduce your exposure to these chemicals, wear approved safety equipment such as dust masks that are specially designed to filter out microscopic particles.

⚠ WARNING: Use of this tool can generate and/or disperse dust, which may cause serious and permanent respiratory or other injury. Always use NIOSH/OSHA approved respiratory protection appropriate for the dust exposure. Direct particles away from face and body.

⚠ WARNING: Always wear proper personal hearing protection that conforms to ANSI S12.6 (S3.19) during use. Under some

conditions and duration of use, noise from this product may contribute to hearing loss.

..... read all

documentation

IPXX IP symbol

CAUTION: *When not in use, place tool on its side on a stable surface where it will not cause a tripping or falling hazard. Some tools will stand upright but may be easily knocked over.*

- **Air vents often cover moving parts and should be avoided.** Loose clothes, jewelry or long hair can be caught in moving parts.
- **An extension cord must have adequate wire size (AWG or American Wire Gauge) for safety.** The smaller the gauge number of the wire, the greater the capacity of the cable, that is, 16 gauge has more capacity than 18 gauge. An undersized cord will cause a drop in line voltage resulting in loss of power and overheating. When using more than one extension to make up the total length, be sure each individual extension contains at least the minimum wire size. The following table shows the correct size to use depending on cord length and nameplate ampere rating. If in doubt, use the next heavier gauge. The lower the gauge number, the heavier the cord.

Minimum Gauge for Cord Sets

Volts	Total Length of Cord in Feet (meters)					
	120 V	25 (7.6)	50 (15.2)	100 (30.5)	150 (45.7)	
240 V	50 (15.2)	100 (30.5)	200 (61.0)	300 (91.4)		
Ampere Rating		American Wire Gauge				
More Than	Not More Than					
0	6	18	16	16	14	
6	10	18	16	14	12	
10	12	16	16	14	12	
12	16	14	12	Not Recommended		

The label on your tool may include the following symbols. The symbols and their definitions are as follows:

- V volts
- Hz hertz
- min minutes
- or DC direct current
- Ⓜ Class I Construction (grounded)
- ... /min per minute
- BPM beats per minute
- IPM impacts per minute
- RPM revolutions per minute
- sfp surface feet per minute
- SPM strokes per minute
- OPM oscillations per minute
- A amperes
- W watts
- or AC alternating current
- or AC/DC alternating or direct current
- Class II Construction (double insulated)
- n₀ no load speed
- n rated speed
- earthing terminal
- safety alert symbol
- visible radiation
- avoid staring at light
- wear respiratory protection
- wear eye protection
- wear hearing protection

Servicing of Double Insulated Appliances

Your blower is double-insulated to give you added safety. In a double insulated appliance, two systems of insulation are provided instead of grounding. No grounding means is provided on a double insulated appliance, nor should a means for grounding be added to the appliance. Servicing a double insulated appliance requires extreme care and knowledge of the system and should be done only by qualified service personnel. Replacement parts for a double insulated appliance must be identical to the parts they replace. A double insulated appliance is marked with the words double insulated or “double insulation”. The symbol (square within a square) may also be marked on the appliance.

Safety Rules and Instructions:

Extension Cords

Double insulated tools have 2-wire cords and can be used with 2-wire or 3-wire extension cords. Only round jacketed extension cords should be used, and we recommend that they be listed by Underwriters Laboratories (U.L.) (C.S.A. in Canada). If the extension will be used outside, the cord must be suitable for outdoor use. Any cord marked as outdoor can also be used for indoor work.

Before using an extension cord, inspect it for loose or exposed wires, damaged insulation, and defective fittings. Make any needed repairs or replace the cord if necessary.

Safety Rules and Instructions:

Polarized Plug

To reduce the risk of electric shock, this equipment has a polarized plug (one blade is wider than the other). This equipment must be used with a suitable polarized 2 wire or 3 wire extension cord. Polarized connections will fit together only one way. Make sure that the receptacle end of the extension cord has large and small blade slot widths. If the plug does not fit fully into the extension cord, reverse the plug. If it still does not fit, obtain a suitable extension cord. If the extension cord does not fit fully into the outlet, contact a qualified electrician to install the proper outlet. Do not change the tool plug or extension cord in any way.

Motor

Be sure your power supply agrees with the nameplate marking. Voltage decrease of more than 10% will cause loss of power and overheating. These tools are factory tested; if this tool does not operate, check power supply.

Intended Use

This blower vac is intended for home use.

DO NOT use under wet conditions or in presence of flammable liquids or gases.

DO NOT let children come into contact with the tool. Supervision is required when inexperienced operators use this tool.

ASSEMBLY AND ADJUSTMENTS

⚠ WARNING: To reduce the risk of serious personal injury, turn unit off and disconnect it from power source before making any adjustments or removing/installing attachments or accessories. An accidental start-up can cause injury.

Blower Tube Assembly (Fig. A, C, D, E)

1. Rotate the fan cover **9** counterclockwise. Close and latch fan cover **9** as shown in the inset of Figure C. Rotate the center of the fan cover clockwise to close the interlock switch.

NOTE: Unit will not operate in blow mode without fan cover closed and the center of the fan cover must be rotated clockwise to close the interlock switch.

NOTE: Align the upper and lower tubes as shown in Fig. C.

2. Push the lower blower tube **4** firmly into the upper blower tube **3**, until the tubes click into place.

NOTE: Blow tubes must be assembled to the power head before use.

NOTE: Never operate without both lower and upper tubes assembled.
3. In the interest of safety, it is not intended for the blower tubes to be separated once assembled.
4. Push the blower tube assembly onto the power head **2** until it is in the fully locked position (Fig. D).
5. Use the air concentrator attachment **5** to target air flow to a tighter area. Add the attachment to the assembly as shown in Fig. E. Push on until hole in tab engages raised post on tube.

Fig. C

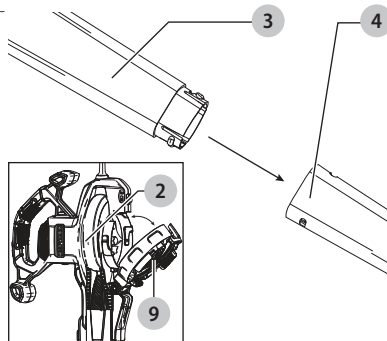


Fig. D

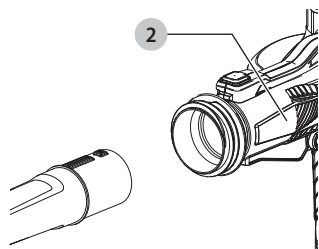
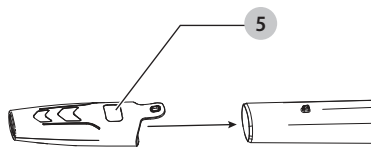


Fig. E



Vacuum Tube Assembly (Fig. F, G, H)

NOTICE: Ensure the vacuum is switched off and disconnected from the power supply before attaching or removing the vacuum tube. The vacuum tube and collection bag must be assembled to the housing before use. The vacuum tubes must be assembled together before use.

⚠ CAUTION: CUT HAZARD. Ensure the tube assembly is securely seated and latched into position.

1. Vacuum tubes must be assembled together before use.
2. Align the notches and the triangles on upper **6** and lower vac tubes **7**. (Fig. F)
3. Push the lower tube firmly into the upper tube, until the triangles click into place. (Never operate apart).

NOTE: In the interest of safety, it is not intended for the tubes to be separated once assembled.
4. Rotate the center of the fan cover **9** counterclockwise. Unlatch the latch **18** and open the fan cover **9**.
5. Attach the vacuum tube assembly to the power head (Fig. H) by locating the assembly as indicated by arrow, then align the four tube lock tabs on the tube with the four locking slots. Insert the tube into the housing and twist clockwise to lock the tube into place and close the interlock switch.

Fig. F

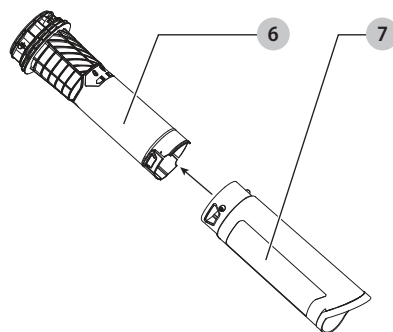


Fig. G

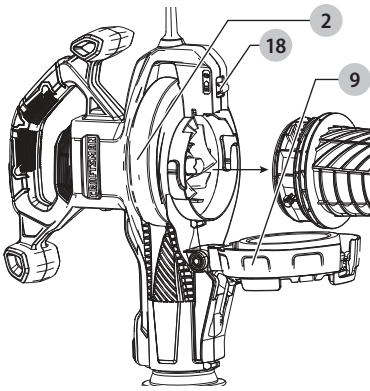
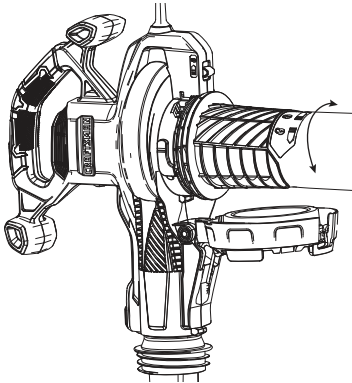


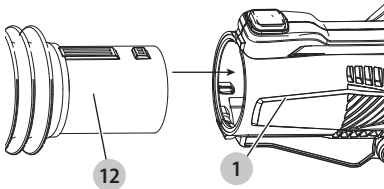
Fig. H



Attaching Flexible Tube to Power head (Fig. I)

1. Align the power head **1** and flexible collection tube **12** as shown in Fig. I.
2. Push the flexible collection tube assembly onto the power head until it is in the fully locked position and an audible click is heard. (Fig. I).
3. To seal the back pack collection bag **8**, zip up the bag zipper so the opening is closed.

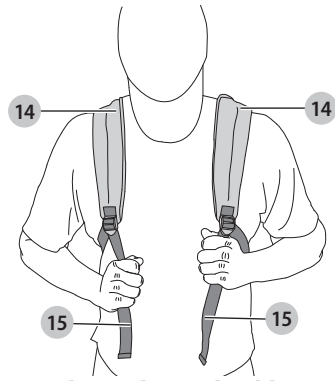
Fig. I



Adjusting Harness (Fig. J)

1. Place the shoulder straps **14** over your shoulders.
2. Pull the adjustment straps **15** down until the backplate is firm against your back as shown in Fig. J.

Fig. J



Removing Blow Tube or Flexible Collection Tube (Fig. I)

To remove the blow tube, flexible collection tube, depress the release button on the power head and pull straight off (Fig. I).

OPERATION

⚠ WARNING: To reduce the risk of serious personal injury, turn unit off and disconnect it from power source before making any adjustments or removing/installing attachments or accessories. An accidental start-up can cause injury.

⚠ WARNING: Always wear safety glasses. Wear a filter mask if the operation is dusty. Use of rubber gloves and substantial footwear is recommended when working outdoors.

⚠ WARNING: Use blower/vac only in daylight or good artificial light.

Switching On and Off (Fig. K)

⚠ WARNING: Use both hands to grip the product firmly when switching on.

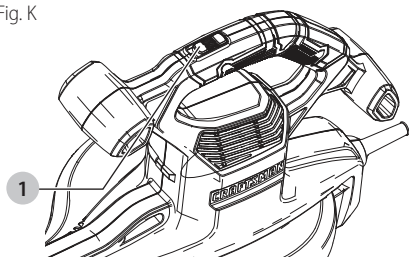
⚠ CAUTION: Do not point unit discharge at self or bystanders.

⚠ WARNING: The tool will continue to run for approximately 5 seconds after it has been switched off. Use both hands to grip the tool and let the motor come to a complete stop before setting the tool down.

Your blower vac is fitted with a ON/OFF switch **1** located on the top of the handle.

- To turn tool ON, slide the ON/OFF switch forward to the ON position "1".
- To turn tool OFF, slide the ON/OFF switch backward to the OFF position "0".

Fig. K



Blower Mode (Fig. L)

CAUTION: Always wear safety glasses. Wear a filter mask if the operation is dusty. Use of gloves, long pants and substantial footwear is recommended. Keep long hair and loose clothing away from openings and moving parts. **THIS BLOWER IS FOR HOUSEHOLD USE ONLY.**

NOTE: Ensure the blower is switched off and disconnected from the power supply before attaching or removing the blower tubes.

The blower tube must be assembled to the housing before use.

- Hold the blower with both hands as shown in Fig. L and sweep from side to side with the nozzle several inches above the surface. Slowly advance keeping the accumulated pile of debris in front of you.

Fig. L



Vacuum Mode (Fig. A, G, I, M)

WARNING: Ensure product is switched off and disconnected from the power supply.

To fit the backpack collection bag assembly to product:

1. Remove blow tube.
2. Push the flexible collection tube assembly (12) onto the power head (2) until it is in the fully locked position and an audible click is heard. (Fig. I).

WARNING: Do not operate blower without blow tube or flexible collection tube securely

in place. Never reach down into housing through tube hole.

3. Unlatch the fan cover (14) from the bottom of the power head. Refer to Figure G for further instruction.
4. Attach the vacuum tube assembly to the power head (Fig. H) by locating the assembly as indicated by arrow, then pivot about this point until the locking/release catch is fully engaged and an audible click is heard.

CAUTION: CUT HAZARD. Ensure the vacuum tube assembly is securely seated and latched into position.

5. Unzip the collection bag (8).
6. Connect the cord on the power head to the power supply.
7. Position the tube slightly above the debris/leaves. Turn the blower/vac on, then using a sweeping motion the debris/leaves will be sucked up the tube, mulched and deposited into the collection bag (Fig. M).
8. As the collection bag fills, the suction power will decrease. Turn the blower/vac off and unplug from power supply before emptying collection bag.

Fig. M

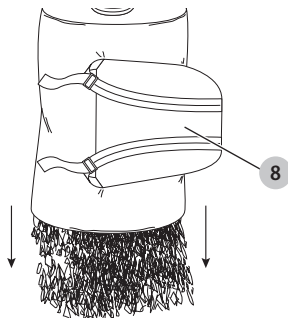


Emptying Back Pack Collection Bag (Fig. N)

CAUTION: NEVER REMOVE THE COLLECTION BAG WITHOUT FIRST TURNING OFF AND UNPLUGGING THE VACUUM.

1. Empty the back pack collection bag (8) by unzipping the bag zipper.

Fig. N



ENGLISH

NOTE: If the suction decreases and the bag is not full, the vacuum tube is probably clogged with debris. Turn OFF and unplug the blower/vac and clear the tube before continuing.

2. To re-seal the back pack collection bag **8**, zip up the bag zipper so the opening is closed.

! WARNING: Do not operate blower without blow tube or flexible collection tube securely in place. Never reach down into housing through tube hole.

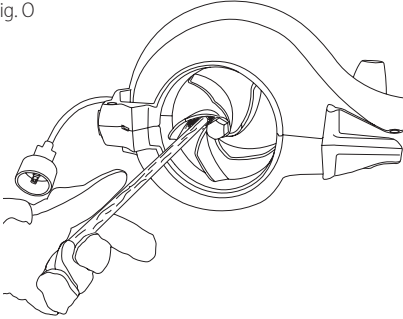
What to Do if the Unit Jams (Fig. 0)

! WARNING: To reduce the risk of serious personal injury, turn unit off and disconnect it from power source before making any adjustments or removing/installing attachments or accessories. An accidental start-up can cause injury.

If the unit motor stops, the fan has become jammed. Immediately turn the unit off and stop using the tool until the jam is cleared. If this happens, turn the unit off and disconnect from power supply. Remove the bag and vacuum tube. Remove the jamming material using a small wooden stick. Do not use a metal implement or anything, which may damage the fan or scratch the plastic. Ensure the fan will turn by hand before reassembling the unit.

If the unit stops picking up debris or the performance substantially reduces it may have become clogged. Switch the unit off and disconnect from power supply. Remove the vacuum tube and look down the tube to ensure no debris is blocking it. If necessary remove debris with a small wooden stick. Do not use a metal implement or anything, which may scratch or damage the tube. Remove the bag. If the bag is full, empty the bag. If necessary remove any debris from around the fan or unit outlet using a small wooden stick. Do not use a metal implement or anything which may damage the fan or scratch the plastic. Ensure the fan will turn by hand before reassembling the unit.

Fig. 0



MAINTENANCE

! WARNING: To reduce the risk of serious personal injury, turn unit off and disconnect it from power source before making any adjustments or removing/installing attachments or accessories. An accidental start-up can cause injury.

Versatrack™ (Fig. P)

! WARNING: To reduce the risk of serious personal injury, turn unit off and disconnect it from power source before making any adjustments or removing/installing attachments or accessories. An accidental start-up can cause injury.

! WARNING: To reduce the risk of serious personal injury, do not use a damaged Versatrack™ integral hang hook or Versatrack™ Trackwall. A damaged Versatrack™ integral hang hook or Versatrack™ Trackwall will not support the weight of the tool.

! WARNING: To reduce the risk of serious personal injury, DO NOT suspend tool overhead or suspend objects from the integral hang hook. ONLY suspend tool on the Versatrack™ Trackwall using the integral hang hook.

! WARNING: The Versatrack™ integral hang hook is intended to mount the tool onto a Versatrack™ Trackwall rail. Do not use the integral hang hook to mount the tool to any other surface.

! WARNING: The Versatrack™ integral hang hook is not a belt hook.

! WARNING: When hanging objects on a Versatrack™ Trackwall rail, adequately space the tools in order to not exceed 75 lb (35 kg) per linear foot.

! WARNING: Before using the tool make sure that the Versatrack™ integral hang hook is returned to its original position.

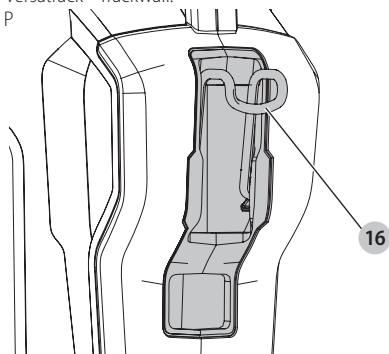
IMPORTANT: Versatrack™ accessories mount compatible tools securely to the Versatrack™ Trackwall system.

1. Turn tool off, disconnect it from power source and remove accessories.

⚠ CAUTION: Any product with exposed cutting teeth must have them covered securely if it is to be on the Versatrack™ Trackwall.

2. Flip or pull open the integral hang hook **16**. It clicks when locked into position.
3. Mount the integral hang hook to the Versatrack™ Trackwall.

Fig. P



Accessories

⚠ WARNING: Since accessories, other than those offered by CRAFTSMAN, have not been tested with this product, use of such accessories with this tool could be hazardous. To reduce the risk of injury, only CRAFTSMAN recommended accessories should be used with this product.

Recommended accessories for use with your tool are available at extra cost from your local dealer or authorized service center. If you need assistance in locating any accessory, please contact CRAFTSMAN call 1-888-331-4569.

Repairs

⚠ WARNING: To assure product SAFETY and RELIABILITY, repairs, maintenance and adjustment (including power cord repairs, and brush inspection and replacement, when applicable) should be performed by a CRAFTSMAN factory service center or a CRAFTSMAN authorized service center. Always use identical replacement parts.

Cleaning

⚠ WARNING: Blow dirt and dust out of all air vents with clean, dry air at least once a week. To minimize the risk of eye injury, always wear ANSI Z87.1 approved eye protection when performing this procedure.

⚠ WARNING: Never use solvents or other harsh chemicals for cleaning the non-metallic parts of the tool. These chemicals may weaken the plastic materials used in these parts. Use a cloth dampened only with water and mild soap. Never let any liquid get inside the tool; never immerse any part of the tool into a liquid.

Register Online

Thank you for your purchase. Register your product now for:

- **WARRANTY SERVICE:** Registering your product will help you obtain more efficient warranty service in case there is a problem with your product.
- **CONFIRMATION OF OWNERSHIP:** In case of an insurance loss, such as fire, flood or theft, your registration of ownership will serve as your proof of purchase.
- **FOR YOUR SAFETY:** Registering your product will allow us to contact you in the unlikely event a safety notification is required under the Federal Consumer Safety Act.
- Register online at www.craftsman.com/registration

Three Year Limited Warranty

CRAFTSMAN will repair or replace, without charge, any defects due to faulty materials or workmanship for three years from the date of purchase. This warranty does not cover part failure due to normal wear or tool abuse. For further detail of warranty coverage and warranty repair information, visit www.craftsman.com or call **1-888-331-4569**. This warranty does not apply to accessories or damage caused where repairs have been made or attempted by others. THIS LIMITED WARRANTY IS GIVEN IN LIEU OF ALL OTHERS, INCLUDING THE IMPLIED WARRANTY OF MERCHANTABILITY AND FITNESS FOR A PARTICULAR PURPOSE, AND EXCLUDES ALL INCIDENTAL OR CONSEQUENTIAL DAMAGES. Some states do not allow limitations on how long an implied warranty lasts or the exclusion or limitation of incidental or consequential damages, so these limitations may not apply to you. This warranty gives you specific legal rights and you may have other rights which vary in certain states or provinces.

90 DAY MONEY BACK GUARANTEE

If you are not completely satisfied with the performance of your CRAFTSMAN Power Tool or Nailer for any reason, you can return it within 90 days from the date of purchase with a receipt for a full refund – no questions asked.

LATIN AMERICA: This warranty does not apply to products sold in Latin America. For products sold in Latin America, see country specific warranty information contained in the packaging, call the local company or see website for warranty information.

FREE WARNING LABEL REPLACEMENT: If your warning labels become illegible or are missing, call **1-888-331-4569** for a free replacement.

TROUBLESHOOTING GUIDE

BE SURE TO FOLLOW SAFETY RULES AND INSTRUCTIONS

For assistance with your product, visit our website at www.craftsman.com for a list of service centers, or call CRAFTSMAN at 1-888-331-4569.

PROBLEM	CAUSE	CORRECTION
Unit will not start.	Cord not plugged in.	Plug tool into a working outlet.
	Circuit fuse is blown.	Replace circuit fuse. (If the product repeatedly causes the circuit fuse to blow, discontinue use immediately and have it serviced at an authorized service center.)
	Vacuum tube is not assembled correctly.	Refer to Vacuum Tube Assembly for proper instructions.
	Fan cover center is not turned to the run position.	Turn the fan cover center to the run position.
	Circuit breaker is tripped.	Reset circuit breaker. (If the product repeatedly causes the circuit fuse to blow, discontinue use immediately and have it serviced at an authorized service center.)
	Cord or switch is damaged.	Have cord or switch replaced at an authorized service center.

Définitions : symboles et termes d'alarmes sécurité

Ces guides d'utilisation utilisent les symboles et termes d'alarmes sécurité suivants pour vous prévenir de situations dangereuses et de risques de dommages corporels ou matériels.

! **DANGER :** indique une situation dangereuse imminente qui, si elle n'est pas évitée, **entraînera la mort ou des blessures graves.**

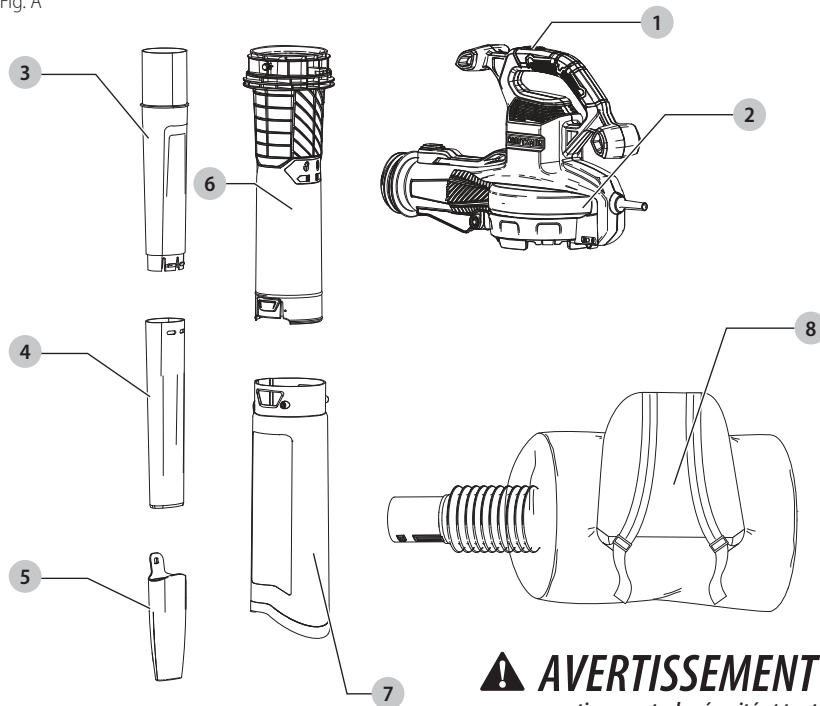
! **AVERTISSEMENT :** indique une situation potentiellement dangereuse qui, si elle n'est pas évitée, **pourrait entraîner la mort ou des blessures graves.**

! **ATTENTION :** indique une situation potentiellement dangereuse qui, si elle n'est pas évitée, **pourrait entraîner des blessures légères ou modérées.**

! (Si utilisé sans aucun terme) Indique un message propre à la sécurité.

AVIS : indique une pratique ne posant **aucun risque de dommages corporels** mais qui par contre, si rien n'est fait pour l'éviter, **pourrait poser des risques de dommages matériels.**

Fig. A



- 1 Bouton Marche/Arrêt
- 2 Tête de pompe
- 3 Tube de soufflage supérieur
- 4 Tube de soufflage inférieur
- 5 Concentrateur
- 6 Tube d'aspiration supérieur
- 7 Tube d'aspiration inférieur
- 8 Sac à dos de ramassage

! **AVERTISSEMENT :** lire tous les avertissements de sécurité et toutes les directives. Le non-respect des avertissements et des directives pourrait se solder par un choc électrique, un incendie et/ou une blessure grave.

! **AVERTISSEMENT :** afin de réduire le risque de blessures, lire le mode d'emploi de l'outil.

Pour toute question ou remarque au sujet de cet outil ou de tout autre outil CRAFTSMAN composez le numéro sans frais : 1-888-331-4569.

CONSIGNES IMPORTANTES DE SÉCURITÉ

LISEZ TOUTES LES INSTRUCTIONS AVANT D'UTILISER CET APPAREIL

Lorsque vous utilisez cet appareil, des consignes de sécurité élémentaires devraient toujours être prises, incluant les suivantes :

⚠ AVERTISSEMENT : afin de réduire le risque d'incendie, de choc électrique et de blessure :

- **Ne pas laisser l'appareil lorsqu'il est branché à une source d'alimentation.** lorsque vous ne l'utilisez pas ou d'effectuer un entretien.
- **Ne pas laisser l'appareil être utilisé comme jouet.** Une attention particulière est nécessaire lorsque l'appareil est utilisé par des enfants ou près des enfants.
- **Ne pas s'en servir sur des surfaces mouillées.** Ne pas exposer à la pluie. Ranger à l'intérieur.
- **Utilisez l'appareil SEULEMENT comme décrit dans le manuel.** Utilisez seulement les fixations recommandées.
- **Ne pas utiliser cet appareil s'il présente des signes de mauvais fonctionnement.** Si l'outil ne fonctionne pas bien, a été échappé, endommagé, laissé à l'extérieur ou échappé dans l'eau, retournez-le dans un centre de services.
- **Ne pas tirer ou transporter par le cordon, utiliser le cordon comme une poignée, ou enrouler le cordon autour de bords ou coins coupants.** Garder le cordon hors de portée des surfaces chauffées.
- **Ne pas débrancher en tirant sur le cordon.** Pour débrancher, saisissez la fiche, pas le cordon.
- Ne pas manipuler l'appareil avec les mains mouillées.
- **Ne pas mettre tout objet dans les ouvertures de l'appareil.** Ne pas utiliser l'appareil si une ouverture est bloquée; tenez à l'écart de la poussière, de la charpie ainsi que des cheveux et de tout ce qui peut réduire la circulation de l'air.
- Gardez vos cheveux, vos vêtements amples, vos doigts et toutes les parties du corps loin des ouvertures et des pièces en mouvement.
- Éteignez toutes les commandes avant de le débrancher de la source d'alimentation.
- Redoublez de prudence durant le nettoyage d'escaliers.
- Ne pas utiliser l'appareil pour ramasser des liquides combustibles ou inflammables, comme l'essence ou utiliser dans des endroits où des liquides combustibles ou inflammables sont présents.

Directives de sécurité supplémentaires

⚠ AVERTISSEMENT : lors de l'utilisation d'appareils électriques, les mesures de précaution de base devraient toujours être prises pour réduire la possibilité d'incendie, de choc électrique et de blessures, en suivant les recommandations suivantes.

⚠ AVERTISSEMENT : lisez tous les avertissements de sécurité et toutes les instructions. Ne pas suivre les avertissements et les instructions peut entraîner un choc électrique, un incendie et/ou des blessures graves.

⚠ AVERTISSEMENT : ne jamais laissez les enfants, des personnes ayant des capacités physiques, sensorielles ou mentales réduites ou un manque d'expérience et de connaissances ou qui ne connaît pas bien ces instructions utiliser la machine, la réglementation locale peut limiter l'âge de l'utilisateur.

Afin de réduire le risque de blessure :

- **Évitez les conditions environnementales dangereuses : ne pas utiliser des outils électriques dans des endroits humides ou mouillés.** Ne pas utiliser l'appareil sous la pluie.
- **Utilisez un équipement de sécurité.** Portez toujours une protection oculaire, un masque filtrant si l'utilisation est poussiéreuse, des chaussures de sécurité antidérapantes ou une protection auditive doivent être utilisées pour les conditions appropriées.
- **Utilisez le bon outil :** ne pas utiliser cet outil pour toute tâche autre que celles pour lesquelles il est conçu.
- **Inspectez la zone** avant d'utiliser l'outil. Retirez tous des débris et les objets durs comme des roches, du verre, les fils, etc. qui peuvent ricocher, être projetés ou d'une façon ou d'une autre causer une blessure ou des dommages durant l'utilisation.
- **Gardez les enfants, les passants et les animaux loin de la zone de travail** à un minimum de 10 mètres (30 pieds) lorsque vous démarrez ou utilisez l'outil.
- **Entretenez soigneusement l'outil.** Gardez l'outil pour la meilleure performance et la plus sécurité. Suivez les instructions pour un entretien approprié.
- **Demeurez vigilant :** regardez ce que vous faites. Faites preuve de bon sens. Ne pas utiliser l'appareil lorsque vous êtes fatigué.
- **Ne pas mettre la sortie du souffleur près des yeux ou des oreilles** lorsque vous l'utilisez.
- **Ne pas utiliser la machine** lorsque des gens, particulièrement les enfants, ou des animaux sont à proximité.

CONSERVEZ CES INSTRUCTIONS

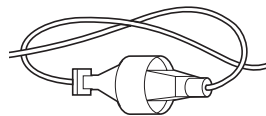
- **Ne pas** toucher les pièces dangereuses mobiles avant que la machine soit déconnectée de la source d'alimentation et que les pièces dangereuses mobiles se soient complètement arrêtées.
- Si la machine commence à vibrer anormalement, retirez le bloc-piles et vérifiez immédiatement.
- **Ne pas** tenter de dégager les obstructions de l'outil sans d'abord le déconnecter de la source d'alimentation.
- **Ne pas** immerger toute partie de l'outil dans un liquide.
- **Ne pas utiliser si le bouton Marche/Arrêt ne fonctionne pas normalement.** Un outil qui ne peut être contrôlé avec le bouton Marche/Arrêt peut être dangereux et doit être réparé.
- **Ne pas** laisser le souffleur aspirer de débris.
- **Ne pas** diriger le jet de l'outil vers vous-même ou des passants.
- **Ne pas** se servir du souffleur pour souffler des poussières explosives, ou l'utiliser dans les lieux dont l'air contient des poussières explosives le charbon, de grains ou d'autres matières combustibles.
- **Ne pas tenter de réparer le souffleur.** Pour assurer la sécurité et la fiabilité du produit, les réparations, l'entretien et les ajustements doivent être effectués par des centres de services autorisés.
- **Ne pas utiliser le souffleur dans une atmosphère gazeuse ou explosive.** Les moteurs de ces outils produisent des étincelles et ces étincelles pourraient enflammer les vapeurs.
- **Ne pas trop vous étirer.** Maintenez vos pieds bien d'aplomb sur le sol et un bon équilibre en tout temps.
- **Ne pas laisser l'outil lorsqu'il est branché.** Débranchez-le de la prise lorsqu'il n'est pas utilisé et avant l'entretien.
- **Ne pas utiliser avec un cordon ou une fiche endommagée.** Si l'appareil ne fonctionne pas comme il le devrait, a été échappé, endommagé, laissé à l'extérieur ou échappé dans l'eau, retournez-le dans un centre de service.
- **Ne jamais laisser le souffleur en marche sans surveillance.** Coupez l'alimentation.
- Débranchez avant de connecter le tube.
- **Entreposez les outils arrêtés.** Lorsque vous ne l'utilisez pas, l'outil doit être entreposé dans un endroit sec élevé ou verrouillé, hors de portée des enfants.
- **Cet appareil est muni d'une isolation double. Utilisez seulement des pièces de remplacement identiques.** Consultez les instructions pour l'entretien des appareils à isolation double.
- Pour réduire le risque de choc électrique, utilisez seulement une rallonge conçue pour un usage extérieur, comme la SJW ou SJTW.
- Afin de réduire le risque de débranchement du cordon de l'appareil de la rallonge durant le fonctionnement :
 - i) Faites un nœud comme illustré dans la Figure B; ou

ii) Utilisez une des sangles de fixation du connecteur femelle de la fiche ou les connecteurs décrits dans ce guide.

OU

- iii) Branchez bien la rallonge avec la fiche de l'appareil comme illustré ou décrit dans **Dispositif de retenue de la rallonge.**

Fig. B



- Entretenez l'appareil avec soins : inspectez régulièrement les rallonges et remplacez-les si elles sont endommagées.

⚠ AVERTISSEMENT : Afin de réduire le risque de blessure corporelle due à un mauvais branchement électrique entre la fiche de l'outil et la rallonge, fixez entièrement et fermement la fiche de l'outil à la rallonge. Vérifiez régulièrement le branchement durant l'utilisation afin de vous assurer qu'il est entièrement fixé. Ne pas utiliser une rallonge qui est mal branchée. Un mauvais branchement peut entraîner une surchauffe, un incendie et augmente le risque de brûlure.

CONSERVEZ CES INSTRUCTIONS

Consigne de sécurité supplémentaire

⚠ AVERTISSEMENT : ne jamais modifier l'outil électrique ni aucun de ses composants, car il y a des risques de dommages corporels ou matériels.

⚠ AVERTISSEMENT : porter **SYSTEMATIQUEMENT** des lunettes de protection. Les lunettes courantes NE sont PAS des lunettes de protection. Utiliser aussi un masque antipoussières si l'opération est poussiéreuse. PORTER SYSTEMATIQUEMENT UN ÉQUIPEMENT DE SÉCURITÉ HOMOLOGUÉ :

- Protection oculaire ANSI Z87.1 (CAN/CSA Z94.3) ;
- Protection auditive ANSI S12.6 (S3.19) ;
- Protection des voies respiratoires NIOSH/ OSHA/ MSHA.

⚠ AVERTISSEMENT : certaines poussières contiennent des produits chimiques reconnus dans l'État de la Californie pour causer le cancer et des anomalies congénitales ou autres effets nuisibles sur la reproduction. Certains exemples de ces produits chimiques sont :

- des composants de fertilisants,
- des composants d'insecticides, d'herbicides et de pesticides,
- l'arsenic et le chrome provenant du bois de construction traité chimiquement.

Pour réduire votre exposition à ces produits chimiques, portez un équipement de sécurité approuvé, comme un masque antipoussière spécialement conçu pour filtrer les particules microscopiques.

AVERTISSEMENT : cet outil peut

produire et/ou répandre de la poussière susceptible de causer des dommages sérieux et permanents au système respiratoire. Utiliser systématiquement un appareil de protection des voies respiratoires homologué par le NIOSH ou l'OSHA. Diriger les particules dans le sens opposé au visage et au corps..

AVERTISSEMENT : pendant

l'utilisation, porter systématiquement une protection auditive individuelle adéquate homologuée ANSI S12.6 (S3.19). Sous certaines conditions et suivant la durée d'utilisation, le bruit émanant de ce produit pourrait contribuer à une perte de l'acuité auditive.

ATTENTION : après utilisation,

ranger l'outil sur son côté, sur une surface stable, là où il ne pourra ni faire trébucher ni faire chuter quelqu'un. Certains outils peuvent tenir à la verticale, mais manquent alors de stabilité.

- **Prendre des précautions à proximité des événements, car ils cachent des pièces mobiles.** Vêtements amples, bijoux ou cheveux longs risquent de rester coincés dans ces pièces mobiles.
- **Pour la sécurité de l'utilisateur, utiliser une rallonge de calibre adéquat (AWG, American Wire Gauge [calibrage américain normalisé des fils électriques]).** Plus le calibre est petit, et plus sa capacité est grande. Un calibre 16, par exemple, a une capacité supérieure à un calibre 18. L'usage d'une rallonge de calibre insuffisant causera une chute de tension qui entraînera perte de puissance et surchauffe. Si plus d'une rallonge est utilisée pour obtenir une certaine longueur, s'assurer que chaque rallonge présente au moins le calibre de fil minimum. Le tableau ci-dessous illustre les calibres à utiliser selon la longueur de rallonge et l'intensité nominale indiquée sur la plaque signalétique. En cas de doute, utiliser le calibre suivant. Plus le calibre est petit, plus la rallonge peut supporter de courant.

Calibre minimum pour les cordons d'alimentation

Volts		Longueur totale du cordon d'alimentation en mètre (pieds)			
120 V		7,6 (25)	15,2 (50)	30,5 (100)	45,7 (150)
240 V		15,2 (50)	30,5 (100)	61,0 (200)	91,4 (300)
Ampères		AWG			
Plus que	Pas plus que				
0	6	18	16	16	14
6	10	18	16	14	12
10	12	16	16	14	12
12	16	14	12	Non recommandé	

L'étiquette apposée sur votre outil peut inclure les symboles suivants. Les symboles et leur définition sont indiqués ci-après :

- V volts
- Hz hertz
- min minutes
- — — ou DC..... courant continu
- Ⓢ fabrication classe I (mis à la terre)
- ... /min..... par minute
- BPM..... battements par minute
- IPM..... impacts par minute
- RPM..... révolutions par minute
- sfpm (plpm) pieds linéaires par minute
- SPM (FPM)..... fréquence par minute
- OPM..... oscillations por minuto
- A ampères
- IPXX symbole IP
- W watts
- ~ ou AC..... courant alternatif
- ⌚ ou AC/DC... courant alternatif ou continu
- Ⓢ fabrication classe II (double isolation)
- n₀ vitesse à vide
- n vitesse nominale
- ⊕ borne de terre
- ⚠ symbole d'avertissement
- ⚠ radiation visible
- ☞ protection respiratoire
- 👁 protection oculaire
- 👂 protection auditive
- 📖 lire toute la documentation

Entretien des appareils à isolation double

Votre souffleur est doublement isolé pour vous offrir plus de sécurité. Dans un appareil doublement isolé, deux systèmes d'isolation sont fournis au lieu de mise à la terre. Aucun moyen de mise à la terre n'est fourni sur un appareil doublement isolé ni aucun moyen de mise à la terre ne doit être ajouté à l'appareil. L'entretien d'un appareil doublement isolé nécessite une grande prudence et une connaissance approfondie du système et doit être effectué seulement par le personnel d'entretien qualifié. Les pièces de remplacement d'un appareil doublement isolé doivent être identiques aux pièces qu'elles remplacent. Un appareil doublement isolé est identifié par les mots « Isolation double » ou « Doublement isolé ». Le symbole (carré dans un carré) peut aussi être indiqué sur l'appareil.

Instructions et consignes de sécurité :

Rallonges

Les outils à isolation double ont des cordons à 2 fils et ils peuvent être utilisés avec des rallonges à 2 ou 3 fils. Seulement les rallonges à gaine arrondie doivent être

utilisées et nous recommandons qu'elles soient inscrites sur les listes d'Underwriters Laboratories (U.L.) (C.S.A. au Canada). Si la rallonge doit être utilisée à l'extérieur, le cordon doit être approprié pour l'utilisation extérieure. Tout cordon indiqué pour l'extérieur peut aussi être utilisé pour le travail intérieur.

Avant d'utiliser une rallonge, inspectez-la pour vérifier s'il y a des fils desserrés ou exposés, si l'isolation est endommagée et les raccords sont défectueux. Effectuez toute réparation nécessaire ou remplacez la rallonge au besoin.

Instructions et consignes de sécurité :

Fiche polarisée

Pour réduire le risque de choc électrique, votre équipement est muni d'une fiche polarisée (une lame est plus large que l'autre). Cet équipement doit être utilisé avec un fil électrique polarisé à 2 lames ou une rallonge de fil électrique à 3 lames. Les branchements polarisés s'inséreront ensemble d'une seule façon. Assurez-vous que l'extrémité du connecteur femelle de la rallonge a des largeurs de fentes pour lames petite et grande. Si la fiche ne s'insère pas entièrement dans la rallonge, inversez-la. Si elle ne s'insère toujours pas, procurez-vous une rallonge appropriée. Si la rallonge ne s'insère pas entièrement dans la prise, contactez un électricien qualifié pour installer une prise appropriée. Ne jamais modifier la fiche de l'outil ou la rallonge.

Moteur

S'assurer que le bloc d'alimentation est compatible avec l'inscription de la plaque signalétique. Une diminution de tension de plus de 10 % provoquera une perte de puissance et une surchauffe. Ces outils sont testés en usine ; si cet outil ne fonctionne pas, vérifiez l'alimentation électrique.

Usage Prévu

Ce souffleur aspirateur est conçu pour un usage domestique.

NE PAS les utiliser en milieu ambiant humide ou en présence de liquides ou de gaz inflammables.

NE PAS le laisser à la portée des enfants. Une supervision est nécessaire auprès de tout utilisateur non expérimenté.

ASSEMBLAGE ET AJUSTEMENTS

⚠ AVERTISSEMENT : afin de réduire le risque de blessure corporelle, éteignez l'appareil et débranchez-le la source d'alimentation avant d'effectuer tout ajustement ou de retirer/installer des pièces ou des accessoires. Un déclenchement accidentel du démarrage peut causer des blessures.

Assemblage du tube du soufflage (Fig. A, C, D, E)

1. Tournez le capot du ventilateur **17** dans le sens contraire des aiguilles d'une montre. Fermez et verrouillez le capot du ventilateur **9** comme illustré

dans la Figure C. Tournez le centre du capot du ventilateur dans le sens des aiguilles d'une montre pour fermer l'interrupteur de verrouillage.

REMARQUE : L'appareil ne fonctionnera pas en mode Soufflage sans que le capot du ventilateur soit fermé et que le centre du capot du ventilateur soit tourné dans le sens des aiguilles d'une montre pour fermer l'interrupteur de verrouillage.

REMARQUE : Alignez les tubes supérieur et inférieur comme illustré dans la Fig. C.

2. Poussez fermement le tube de soufflage inférieur **4** dans le tube de soufflage supérieur **3** jusqu'à ce que les tubes se placent dans la bonne position.

REMARQUE : Les tubes de soufflage doivent être assemblés à la tête de pompe avant l'utilisation.

REMARQUE : Ne jamais utiliser sans les deux tubes inférieur et supérieur assemblés.
3. Par mesure de sécurité, les tubes de soufflage ne sont pas conçus pour être séparés une fois assemblés.
4. Poussez le tube de soufflage dans la tête de pompe **2** jusqu'à ce qu'il se verrouille complètement en place (Fig. D).
5. Utiliser le concentrateur pour diriger le jet d'air dans une zone plus restreinte. Ajouter l'accessoire au module des tubes comme montré à la Fig. E. Enfoncer l'accessoire jusqu'à ce que le trou de l'onglet s'insère sur la saillie du tube.

Fig. C

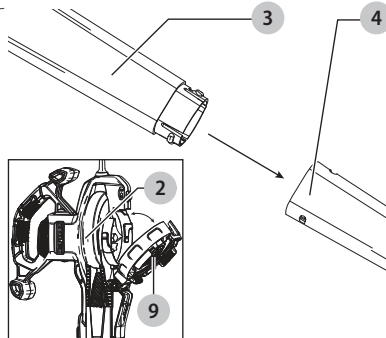


Fig. D

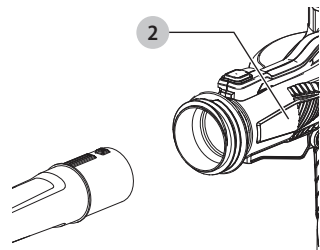
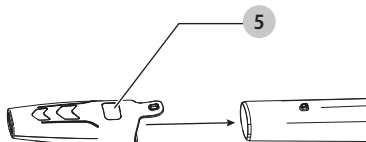


Fig. E



Module tube d'aspiration (Fig. F, G, H)

AVIS : s'assurer que le souffleur est éteint et débranché de l'alimentation. Le tube d'aspiration et le sac collecteur doivent être assemblés sur le boîtier avant d'utiliser l'appareil. Les segments du tube d'aspiration doivent être assemblés avant d'utiliser l'appareil.

ATTENTION : RISQUE DE COUPURE.
Assurez-vous que l'ensemble du tube est bien en place et solidement verrouillé.

1. Les tubes d'aspiration doivent être assemblés ensemble avant l'utilisation.
2. Alignez les encoches et les triangles des tubes supérieur **6** et inférieur **7**. (Fig. F)
3. Poussez fermement le tube inférieur dans le tube supérieur jusqu'à ce que les triangles se placent dans la bonne position. (Ne jamais utiliser séparément).
REMARQUE : Par mesure de sécurité, il n'est pas conçu pour séparer les tubes une fois assemblés.
4. Tournez le centre du capot du ventilateur **9** dans le sens contraire des aiguilles d'une montre. Déverrouillez le verrou **18** et ouvrez le capot du ventilateur **9**.
5. Fixez l'assemblage des tubes d'aspiration à la tête de pompe (Fig. H) en plaçant comme indiqué par la flèche, puis alignez les languettes de verrouillage du tube sur le tube avec les quatre fentes de verrouillage. Insérez le tube dans le boîtier et tournez dans le sens des aiguilles d'une montre pour verrouiller le tube en place.

Fig. F

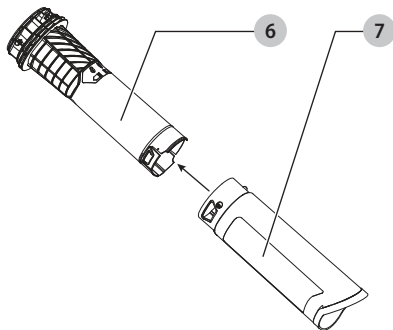


Fig. G

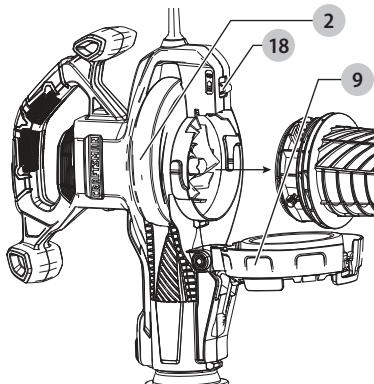
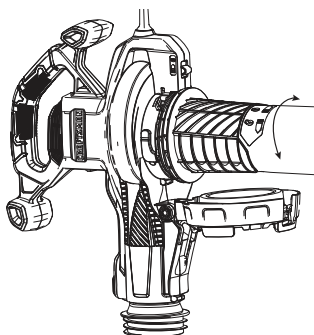
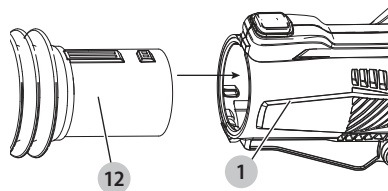


Fig. H



Fixer le tube flexible à la tête de pompe (Fig. I)

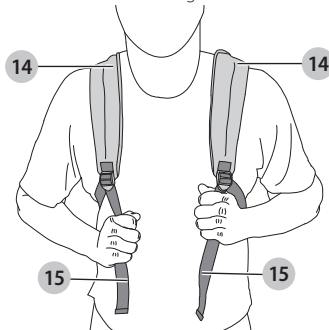
1. Alignez la tête de pompe **1** et le tube de ramassage flexible **12** comme illustré dans la Fig. I.
2. Poussez l'assemblage du tube de ramassage flexible dans la tête de pompe jusqu'à ce qu'il se verrouille complètement en place et que vous entendiez un clic. (Fig. I).
3. Pour sceller le sac à dos de ramassage **8**, fermez la fermeture éclair du sac pour que l'ouverture soit fermée. (Fig. I).



Ajuster le harnais (Fig. J)

1. Placez les courroies d'épaules **14** sur vos épaules.
2. Tirez les courroies d'ajustement **15** vers le bas jusqu'à ce que le support dorsal soit fermement opposé à votre dos comme illustré dans la Fig. J.

Fig. J



Retirer le tube de soufflage ou le tube de ramassage flexible (Fig. I)

Pour retirer le tube de soufflage ou le tube de ramassage flexible, appuyez sur le bouton déclencheur sur la tête de pompe et retirez (Fig. I).

FONCTIONNEMENT

⚠ AVERTISSEMENT : afin de réduire le risque de blessure corporelle, éteignez l'appareil et débranchez-le la source d'alimentation avant d'effectuer tout ajustement ou de retirer/installer des pièces ou des accessoires. Un déclenchement accidentel du démarrage peut causer des blessures.

⚠ AVERTISSEMENT : toujours porter des lunettes de sécurité. En présence de poussières, porter un masque filtrant de type « A ». Lors de travaux à l'extérieur, porter des gants de caoutchouc et des chaussures robustes.

⚠ AVERTISSEMENT : utiliser le souffleur uniquement sous la lumière du jour ou sous un bon éclairage artificiel.

Interrupteur (on) et d'arrêt (off) (Fig. K)

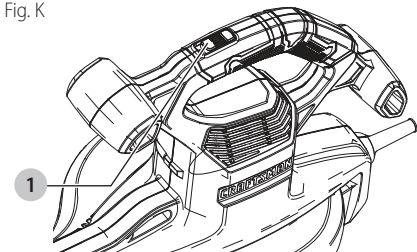
⚠ AVERTISSEMENT : se servir des deux mains pour saisir fermement le produit au moment de le mettre en marche.

⚠ ATTENTION : ne pas pointer l'embout de l'appareil vers soi ou des tiers.

⚠ AVERTISSEMENT : l'outil continuera de fonctionner environ 5 secondes après la mise hors tension. Tenir l'outil des deux mains et laisser le moteur s'arrêter complètement avant de déposer l'outil.

Votre souffleur/aspirateur est muni d'un bouton Marche/Arrêt **1** situé au-dessus de la poignée.

- Pour mettre en marche, glissez le bouton Marche/Arrêt à la position Marche « 1 ».
- Pour éteindre, glissez le bouton Marche/Arrêt à la position Arrêt « 0 ».



Fonctionnement de mode souffleur (Fig. L)

⚠ ATTENTION : toujours porter des lunettes de sécurité. En présence de poussières, porter un masque filtrant. Nous vous recommandons de porter des gants, des pantalons longs et de bonnes chaussures. Éloigner les cheveux longs et les vêtements amples des ouvertures et des pièces mobiles. CETTE BALAYEUSE EST PRÉVUE POUR UN USAGE DOMESTIQUE SEULEMENT.

REMARQUE : s'assurer que le souffleur est éteint et débranché de l'alimentation avant de fixer ou de déposer les tubes de soufflage.

Le tube de soufflage doit être monté sur le boîtier avant d'utiliser l'appareil.

- Tenir le souffleur d'une main comme le montre la Fig. L, puis balayer d'un côté à l'autre en appliquant la buse à plusieurs pouces au-dessus de la surface dure. Avancer lentement en maintenant la pile de débris devant vous.

Fig. L



Mode Aspiration (Fig. A, G, I, M)

⚠ AVERTISSEMENT : assurez-vous que le produit est éteint et débranchez de l'alimentation.

Pour ajuster l'assemblage du sac de ramassage de feuilles au produit :

1. Retirez le tube de soufflage.
2. Poussez l'assemblage du tube de ramassage flexible **12** dans la tête de pompe **2** jusqu'à ce qu'il se verrouille complètement en place et que vous entendiez un clic. (Fig. I).

⚠ AVERTISSEMENT : ne pas utiliser le souffleur sans avoir mis en place le tube de soufflage ou le tube de ramassage flexible de façon sécuritaire. Ne jamais atteindre le boîtier par le trou du tube.

3. Déverrouillez le capot du ventilateur **14** en bas de la tête de pompe. Consultez la figure G pour des instructions supplémentaires.
4. Fixez l'assemblage des tubes d'aspiration à la tête de pompe (Fig. H) en le plaçant comme indiqué par la

flèche, puis tournez environ à ce point jusqu'à ce que le cran de verrouillage/déverrouillage soit complètement inséré et que vous entendiez un clic.

ATTENTION : RÉDUISER LES RISQUES.
Assurez-vous que l'assemblage des tubes d'aspiration est installé et verrouillé en place de façon sécuritaire.

- Ouvrez la fermeture éclair du sac de ramassage 8.
- Branchez le cordon sur la tête de pompe à l'alimentation.
- Placez le tube légèrement au-dessus des débris/feuilles. Mettez le souffleur/l'aspirateur en marche, puis à l'aide d'un mouvement de balayage, les débris/feuilles seront aspirés par le tube, broyés et déposés dans le sac de ramassage (Fig. M).
- Au fur et à mesure que le sac se remplit, la puissance de succion diminue. Éteignez le souffleur/l'aspirateur et débranchez l'alimentation avant de vider le sac de ramassage.

Fig. M

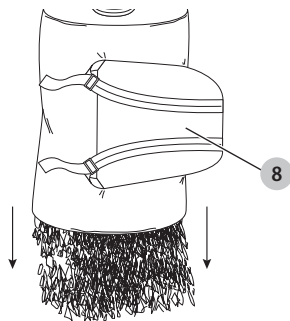


Vider le sac à dos de ramassage (Fig. N)

ATTENTION : NE JAMAIS RETIRER LE SAC DE RAMASSAGE SANS D'ABORD ÉTEINDRE ET DÉBRANCHER L'ASPIRATEUR.

- Videz le sac de ramassage à dos 8 en ouvrant la fermeture éclair du sac.

Fig. N



REMARQUE : Si la succion diminue et le sac n'est pas plein, le tube d'aspiration est probablement obstrué par des

débris. Éteignez et débranchez le souffleur/l'aspirateur et débouquez le tube avant de continuer.

- Pour sceller le sac à dos de ramassage 8, fermez la fermeture éclair du sac pour que l'ouverture soit fermée.

AVERTISSEMENT : ne pas utiliser le souffleur sans avoir mis en place le tube de soufflage ou le tube de ramassage flexible de façon sécuritaire. Ne jamais atteindre le boîtier par le trou du tube.

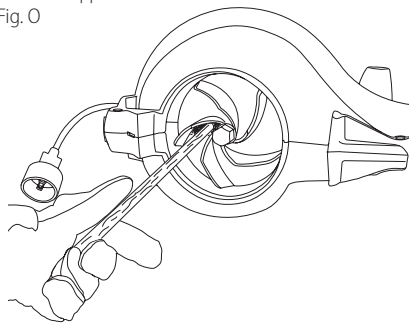
Que faire si l'appareil se coince (Fig. O)

ATTENTION : s'assurer que l'appareil est éteint et débranché de sa source d'alimentation.

Si le moteur de l'appareil s'arrête, cela signifie que le ventilateur s'est coincé. Éteignez immédiatement et cessez d'utiliser l'outil jusqu'à ce que le blocage soit retiré. Si cela se produit, éteindre l'appareil et le débrancher de la prise de courant. Déposer le sac et le tube d'aspiration. Retirer la matière coincée à l'aide d'un petit bâton de bois. Ne pas utiliser d'outil métallique ou d'objet pouvant endommager le ventilateur ou égratigner le plastique. S'assurer que le ventilateur tourne manuellement avant de réassembler l'appareil.

Si l'appareil cesse de ramasser les débris ou si le rendement baisse radicalement, il peut être bouché. Éteindre l'appareil et le débrancher de la prise de courant. Déposer le tube d'aspiration, puis l'examiner pour s'assurer qu'aucun débris ne le bloque. S'il y a lieu, retirer le débris à l'aide d'un petit bâton de bois. Ne pas utiliser d'outil métallique ou d'objet pouvant égratigner ou endommager le tube. Déposer le sac. Si le sac est plein, le vider. S'il y a lieu, retirer les débris entourant le ventilateur ou la sortie de l'appareil à l'aide d'un petit bâton de bois. Ne pas utiliser d'outil métallique ou d'objet pouvant endommager le ventilateur ou égratigner le plastique. S'assurer que le ventilateur tourne manuellement avant de réassembler l'appareil.

Fig. O



MAINTENANCE

AVERTISSEMENT : afin de réduire le risque de blessure corporelle, éteignez l'appareil et débranchez-le la source d'alimentation avant d'effectuer tout ajustement ou de retirer/installer des pièces ou des accessoires. Un déclenchement accidentel du démarrage peut causer des blessures.

Versatrack^{MC} (Fig. P)

AVERTISSEMENT : afin de réduire le risque de blessure corporelle grave, éteignez l'outil et retirez le bloc-piles avant d'effectuer tout ajustement ou de retirer/installer des pièces ou des accessoires. Un démarrage accidentel peut causer des blessures.

AVERTISSEMENT : pour réduire le risque de blessures graves, ne pas se servir d'un crochet de suspension intégré Versatrack^{MC} ou d'un rail mural Versatrack^{MC} endommagé. Un crochet de suspension intégré Versatrack^{MC} ou un rail mural Versatrack^{MC} endommagé ne supportera pas le poids de l'outil.

AVERTISSEMENT : pour réduire le risque de blessures graves, NE PAS suspendre l'outil au-dessus du niveau de la tête ou suspendre d'autres objets au crochet de suspension intégré. Suspendez SEULEMENT l'outil sur le rail mural Versatrack^{MC} à l'aide du crochet de suspension intégré.

AVERTISSEMENT : le crochet de suspension intégré Versatrack^{MC} est conçu pour installer l'outil sur le rail mural Versatrack^{MC}. Ne pas utiliser le crochet de suspension intégré pour installer l'outil sur toute autre surface.

AVERTISSEMENT : le crochet de suspension intégré Versatrack^{MC} n'est pas un crochet pour courroie.

AVERTISSEMENT : lorsque vous suspendez des objets sur un rail mural Versatrack^{MC}, distancez adéquatement les outils de sorte à ne pas excéder 35 kg (75 lb) par pied linéaire.

AVERTISSEMENT : avant d'utiliser l'outil, assurez-vous que le crochet de suspension intégré Versatrack^{MC} est revenu à sa position originale

IMPORTANT : les accessoires Versatrack^{MC} permettent

d'installer des outils compatibles de façon sécuritaire sur le système de rail mural Versatrack^{MC}.

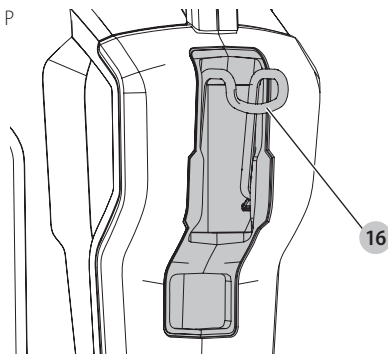
1. Éteignez l'outil, retirez le bloc-piles et les accessoires.

ATTENTION : tout produit avec dents coupantes exposées doit être couvert de façon sécuritaire s'il doit être mis sur le rail mural Versatrack^{MC}.

2. Tournez ou ouvrez le crochet de suspension intégré **16**. Il clique lorsqu'il est verrouillé en place.

3. Installez le crochet de suspension intégré sur le rail mural Versatrack^{MC}.

Fig. P



Accessoires

AVERTISSEMENT : puisque les accessoires autres que ceux offerts par CRAFTSMAN n'ont pas été testés avec ce produit, leur utilisation pourrait s'avérer dangereuse. Pour réduire le risque de blessures, utiliser exclusivement les accessoires CRAFTSMAN recommandés avec le présent produit.

Les accessoires recommandés pour cet outil sont vendus séparément au centre de service de votre région. Pour obtenir de l'aide concernant l'achat d'un accessoire, communiquer avec CRAFTSMAN, composer le 1-888-331-4569.

Réparations

AVERTISSEMENT : pour assurer la SÉCURITÉ et la FIABILITÉ du produit, les réparations, l'entretien et les réglages doivent être réalisés (cela comprend l'inspection et le remplacement du balai, le cas échéant) par un centre de réparation en usine CRAFTSMAN ou un centre de réparation agréé CRAFTSMAN. Toujours utiliser des pièces de rechange identiques.

Nettoyage

AVERTISSEMENT : *enlever les saletés et la poussière hors des événements au moyen d'air comprimé propre et sec, au moins une fois par semaine. Pour minimiser le risque de blessure aux yeux, toujours porter une protection oculaire conforme à la norme ANSI Z87.1 lors du nettoyage.*

AVERTISSEMENT : *ne jamais utiliser de solvants ni d'autres produits chimiques puissants pour nettoyer les pièces non métalliques de l'outil. Ces produits chimiques peuvent affaiblir les matériaux de plastique utilisés dans ces pièces. Utiliser un chiffon humecté uniquement d'eau et de savon doux. Ne jamais laisser de liquide pénétrer dans l'outil et n'immerger aucune partie de l'outil dans un liquide.*

Registre en ligne

Merci pour votre achat. Enregistrez dès maintenant votre produit:

- **RÉPARATIONS SOUS GARANTIE:** cette carte remplie vous permettra de vous prévaloir du service de réparations sous garantie de façon plus efficace dans le cas d'un problème avec le produit.
- **CONFIRMATION DE PROPRIÉTÉ:** en cas de perte provoquée par un incendie, une inondation ou un vol, cette preuve de propriété vous servira de preuve auprès de votre compagnie d'assurances.
- **SÉCURITÉ:** l'enregistrement de votre produit nous permettra de communiquer avec vous dans l'éventualité peu probable de l'envoi d'un avis de sécurité régi par la loi fédérale américaine de la protection des consommateurs.
- Registre en ligne à **www.craftsman.com/registration**

Garantie limitée de trois ans

CRAFTSMAN réparera ou remplacera sans frais tout appareil défectueux pour cause de défaut de matériau ou de main-d'œuvre sur une période de trois ans à partir de la date d'achat de l'outil. Cette garantie ne couvre pas les pièces en panne pour cause d'abus ou d'usure normale de l'outil. Pour plus de détails au sujet de la couverture de la garantie et l'information de réparation sous garantie, visitez **www.craftsman.com** ou composez le **1-888-331-4569**.

Cette garantie ne s'applique pas aux accessoires ou dommages causés par des réparations effectuées ou tentées par d'autres. CETTE GARANTIE REMPLACE TOUTES LES AUTRES, INCLUANT LES GARANTIES IMPLICITES DE LA QUALITÉ MARCHANDE ET L'APTITUDE POUR UN BUT PARTICULIER, ET EXCLUT TOUTS LES DOMMAGES ACCIDENTELS OU CONSÉCUTIFS. Certaines provinces ne permettent pas de limitation sur la durée de la garantie implicite ou l'exclusion ou la limitation de dommages indirects, alors ces limitations peuvent ne pas s'appliquer à vous. Cette garantie vous donne des droits légaux particuliers et vous pouvez avoir d'autres droits qui varient selon les états ou les provinces.

GARANTIE DE REMBOURSEMENT DE 90 JOURS

Si l'acheteur n'est pas entièrement satisfait, pour quelque raison que ce soit, du rendement de l'outil électrique ou de la cloueuse CRAFTSMAN, celui-ci peut le retourner, accompagné d'un reçu, dans les 90 jours à compter de la date d'achat pour obtenir un remboursement intégral, sans aucun problème.

AMÉRIQUE LATINE : cette garantie ne s'applique aux produits vendus en Amérique latine. Pour ceux-ci, veuillez consulter les informations relatives à la garantie spécifique présente dans l'emballage, appeler l'entreprise locale ou consulter le site Web pour les informations relatives à cette garantie.

REMPACEMENT GRATUIT DES ÉTIQUETTES

D'AVERTISSEMENT : si les étiquettes d'avertissement deviennent illisibles ou sont manquantes, composer le **1-888-331-4569** pour en obtenir le remplacement gratuit.

GUIDE DE DÉPANNAGE

ASSUREZ-VOUS DE SUIVRE LES DIRECTIVES ET RÈGLES DE SÉCURITÉ

Pour de l'aide avec l'outil, consulter notre site Web **www.craftsman.com** pour l'emplacement du centre de réparation le plus près ou communiquer avec l'assistance CRAFTSMAN au 1-888-331-4569.

PROBLÈME	CAUSE POSSIBLE	SOLUTION POSSIBLE
L'appareil refuse de démarrer	Cordon d'alimentation non branché.	Brancher l'outil dans une prise qui fonctionne.
	Le fusible du circuit est grillé.	Remplacer le fusible du circuit. (Si l'outil cause le déclenchement du disjoncteur d'alimentation de façon répétée, cesser son utilisation sur le champ et le faire réparer à un centre de service autorisé.)
	Le tube d'aspiration n'est pas bien assemblé.	Consultez Assemblage des tubes d'aspiration pour des instructions appropriées.
	Le centre du capot du ventilateur n'est pas tourné dans la position de marche	Tournez le centre du capot du ventilateur à la position de marche.
	Le disjoncteur est déclenché	Remettre le disjoncteur à zéro. (Si l'outil cause le déclenchement du disjoncteur d'alimentation de façon répétée, cesser son utilisation sur le champ et le faire réparer à un centre de service autorisé.)
	Le cordon d'alimentation ou la prise de courant est endommagé(e).	Toujours faire remplacer le cordon ou le commutateur à un centre de service autorisé.

Definiciones: Símbolos y Palabras de Alerta de Seguridad

Este manual de instrucciones utiliza los siguientes símbolos y palabras de alerta de seguridad para alertarle de situaciones peligrosas y del riesgo de lesiones corporales o daños materiales.

⚠ PELIGRO: Indica una situación de peligro inminente que, si no se evita, provocará **la muerte o lesiones graves**.

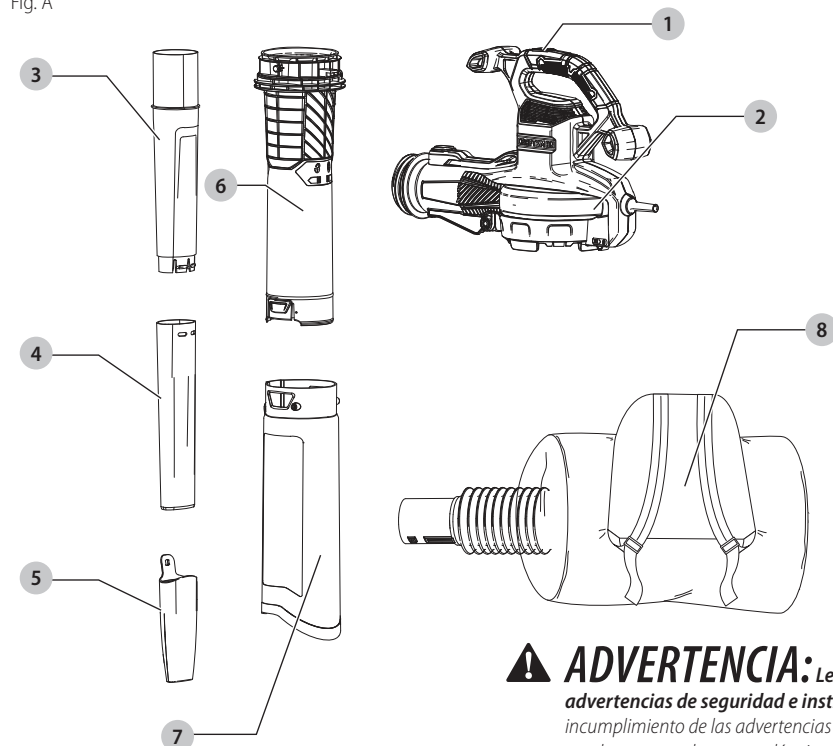
⚠ ADVERTENCIA: Indica una situación de peligro potencial que, si no se evita, **podría** provocar **la muerte o lesiones graves**.

⚠ ATENCIÓN: Indica una situación de peligro potencial que, si no se evita, **posiblemente** provocaría **lesiones leves o moderadas**.

⚠ (Utilizado sin palabras) indica un mensaje de seguridad relacionado.

AVISO: Se refiere a una práctica **no relacionada a lesiones corporales** que de no evitarse **puede** resultar en **daños a la propiedad**.

Fig. A



- 1 Interruptor On/Off
- 2 Cabeza de potencia
- 3 Tubo de soplado superior
- 4 Tubo de soplado inferior
- 5 Concentrador
- 6 Tubo de aspirado superior
- 7 Tubo de aspirado inferior
- 8 Bolsa de recolección de mochila

⚠ ADVERTENCIA: Lea todas las advertencias de seguridad e instrucciones. El incumplimiento de las advertencias e instrucciones puede provocar descargas eléctricas, incendios o lesiones graves.

⚠ ADVERTENCIA: Para reducir el riesgo de lesiones, lea el manual de instrucciones.

Si tiene alguna duda o algún comentario sobre ésta u otra herramienta CRAFTSMAN llámenos al número gratuito: 1-888-331-4569.

INSTRUCCIONES DE SEGURIDAD IMPORTANTES

LEA TODAS LAS INSTRUCCIONES ANTES DE USAR ESTE APARATO

Quando use este aparato, siempre se deben seguir las precauciones de seguridad básicas, incluyendo las siguientes:

- ⚠ ADVERTENCIA:** Para reducir el riesgo de incendios, descarga eléctrica, y lesiones:
 - **No deje el aparato cuando esté conectado a la fuente de energía.**
 - **No permita que el aparato se use como un juguete.** Se necesita poner atención cuando sea usado por o cerca de niños.
 - **No se use sobre superficies mojadas.** No se esponga a la lluvia. Guárdese bajo techo.
 - **SÓLO use este aparato como se describe en este manual.** Use sólo accesorios recomendados.
 - **No use este aparato si muestra señales de falla de cualquier manera.** Si el aparato no funciona correctamente, se ha dejado caer, se dañó, se dejó en exteriores, o se dejó caer en agua, regréselo a un centro de servicio.
 - **No jale o transporte por el cable, no use el cable como manija, o jale el cable alrededor de bordes o esquinas filosas.** Mantenga el cable lejos de superficies calientes.
 - **No desconecte jalando del cable.** Para desconectar, sujete el enchufe, no el cable.
 - No maneje el aparato con las manos húmedas.
 - **No coloque ningún objeto en las aberturas del aparato.** No use el aparato con ninguna abertura bloqueada; manténgalo libre de polvo, pelusa, cabello y cualquier cosa que pueda reducir el flujo de aire.
 - Mantenga el cabello, ropa suelta, los dedos y todas las partes del cuerpo alejados de las aberturas y partes móviles.
 - Apague todos los controles antes de desconectar de la fuente de energía.
 - Tenga cuidado adicional cuando limpie en escaleras.
 - No use el aparato para recoger líquidos inflamables o combustibles, tales como gasolina, o en áreas donde puedan estar presentes líquidos inflamables o combustible.

CONSERVE ESTAS INSTRUCCIONES

Instrucciones de Seguridad Adicionales

⚠ ADVERTENCIA: Cuando use un aparato eléctrico, siempre se deben seguir las precauciones de seguridad básica para reducir el riesgo de incendio, descarga eléctrica, y lesiones personales, incluyendo las siguientes.

⚠ ADVERTENCIA: Lea todas las advertencias de seguridad y todas las instrucciones. La falla en seguir las advertencias e instrucciones puede resultar en descarga eléctrica, incendio y/o lesiones serias.

⚠ ADVERTENCIA: Nunca permita que los niños, personas con capacidades físicas, sensoriales o mentales reducidas o falta de experiencia y conocimiento o personas que no están familiarizadas con estas instrucciones utilicen la máquina; las regulaciones locales pueden restringir la edad del operador.

Para reducir el riesgo de lesiones:

- **Evite condiciones ambientales peligrosas** – No use unidades eléctricas en ubicaciones mojadas o húmedas. No use la unidad en la lluvia.
- **Use equipo de seguridad.** Siempre se debe usar protección para los ojos, máscara de filtro para polvo, zapatos de protección anti-deslizables, casco, o protección auditiva para las condiciones apropiadas.
- **Use la unidad correcta** – No use esta unidad para ningún trabajo diferente para el que se diseñó.
- **Revise el área** antes de usar la unidad. Retire todos los desechos y objetos duros tales como piedras, vidrio, cable, etc. que puedan ser expulsados, arrojados, o de otra manera causar lesiones serias o daño durante la operación.
- **Mantenga a los niños, transeúntes y animales alejados** del área de trabajo un mínimo de 10 metros (30 pies) cuando arranque u opere la unidad.
- **Mantenga la unidad con cuidado.** Mantenga la unidad limpia para su mejor desempeño y seguridad. Siga las instrucciones para mantenimiento adecuado.
- **Permanezca alerta** - Observe lo que está haciendo. Utilice el sentido común. No opere la unidad cuando esté cansado.
- **No coloque** la salida del soplador cerca de los ojos u oídos cuando lo opere.
- **No opere** la máquina mientras haya personas cerca, especialmente niños o mascotas.
- **No toque** las partes peligrosas en movimiento antes que la máquina se desconecte de la fuente de energía y

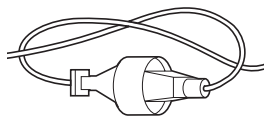
las partes peligrosas en movimiento se hayan detenido por completo.

- Si la máquina comienza a vibrar de manera anormal, retire la batería y verifique inmediatamente.
- **No intente** retirar trapos de la unidad sin primero desconectarla de la fuente de energía.
- **No sumerja** ninguna parte de la unidad en líquido.
- **No use la unidad si el interruptor no la enciende o apaga.** Una unidad que no pueda ser controlada con el interruptor es peligrosa y debe ser reparada.
- **No permita** que se introduzcan desechos en la admisión del soplador.
- **No apunte** la descarga de la unidad a usted mismo o a transeúntes.
- **No use** para soplar polvo explosivo, o en áreas donde el aire contenga polvo explosivo tal como carbón, grano, u otro material combustible.
- **No intente reparar el soplador.** Para garantizar la seguridad y confiabilidad del producto, las reparaciones, mantenimiento y ajustes deben ser realizados por un centro de servicio autorizado.
- **No opere el soplador en una atmósfera gaseosa o explosiva.** Los motores de estas unidades pueden producir chispas, y éstas pueden encender los vapores.
- **No se estire.** Mantenga una base de apoyo y equilibrio adecuados en todo momento.
- **No deje el aparato cuando esté conectado.** Desconecte del tomacorriente cuando no esté en uso y antes de dar servicio.
- **No use con el cable o enchufe dañado.** Si el aparato no funciona como debería, se ha dejado caer, se dañó, se dejó en exteriores, o se dejó caer en agua, regréselo a un centro de servicio.
- **Nunca deje el soplador en operación sin supervisión.** Apague la energía.
- **Desenchufe** antes de conectar el tubo.
- **Almacenamiento de unidades sin usar.** Cuando no esté en uso, la unidad se debe almacenar en un lugar seco, en alto y asegurado - fuera del alcance de los niños.
- **Este aparato está equipado con aislamiento doble.** Sólo use partes de reemplazo idénticas. Vea las instrucciones para **Dar servicio a aparatos con doble aislamiento.**
- Para reducir el riesgo de descarga eléctrica, sólo use con un cable de extensión diseñado para uso en exteriores, tal como SJW o SJTW.
- Para reducir el riesgo de desconexión del cable del aparato del cable de extensión durante la operación:
 - i) Realice un nudo como se muestra en la Figura B; o
 - ii) Use una de las correas o conectores de retención de enchufe-receptáculo descritos en este manual.

○

iii) Asegure el cable de extensión al enchufe del aparato como se muestra o describe en **Operación.**

Fig. B



- Mantenga el Aparato con Cuidado – Revise los cables de extensión periódicamente y reemplace si están dañados.

⚠ ADVERTENCIA: Para reducir el riesgo de lesiones personales debidas a una conexión eléctrica suelta entre el enchufe y el cable de extensión del aparato, conecte firme y completamente el enchufe del aparato al cable de extensión. Revise periódicamente la conexión mientras opera para asegurar que esté conectada completamente. No use un cable de extensión que proporcione una conexión holgada. Una conexión holgada puede resultar en sobrecalentamiento, incendio, e incrementa el riesgo de quemaduras.

CONSERVE ESTAS INSTRUCCIONES

Instrucción Adicional de Seguridad

⚠ ADVERTENCIA: Nunca modifique la herramienta eléctrica, ni tampoco ninguna de sus piezas. Podría producir lesiones corporales o daños.

⚠ ADVERTENCIA: Use **SIEMPRE** lentes de seguridad. Los anteojos de diario **NO SON** lentes de seguridad. Utilice además una cubrebocas o mascarilla antipolvo si la operación de corte genera demasiado polvo. **SIEMPRE LLEVE EQUIPO DE SEGURIDAD CERTIFICADO:**

- protección ocular ANSI Z87.1 (CAN/CSA Z94.3),
- protección auditiva ANSI S12.6 (S3.19),
- protección respiratoria NIOSH/OSHA/MSHA.

⚠ ADVERTENCIA: Algún polvo contiene químicos conocidos por el Estado de California que causan cáncer, defectos de nacimiento u otros daños reproductivos. Algunos ejemplos de estos químicos son:

- compuestos en fertilizantes,
- compuestos en insecticidas, herbicidas y pesticidas,
- arsénico y cromo a partir de madera tratada químicamente.

Para reducir su exposición a estos químicos, use equipo de seguridad aprobado, tal como máscaras de

polvo que estén diseñadas específicamente para filtrar partículas microscópicas.

⚠ ADVERTENCIA: La utilización de esta herramienta puede generar polvo o dispersarlo, lo que podría causar daños graves y permanentes al sistema respiratorio, así como otras lesiones. Siempre use protección respiratoria aprobada por NIOSH (Instituto Nacional de Seguridad y Salud en el Trabajo) u OSHA (Administración de Seguridad y Salud en el Trabajo) apropiada para la exposición al polvo. Dirija las partículas en dirección contraria a la cara y el cuerpo.

⚠ ADVERTENCIA: Siempre lleve la debida protección auditiva personal en conformidad con ANSI S12.6 (S3.19) durante el uso de esta herramienta. Bajo algunas condiciones y duraciones de uso, el ruido producido por este producto puede contribuir a la pérdida auditiva.

⚠ ATENCION: Cuando no esté en uso, guarde la herramienta apoyada en un costado sobre una superficie estable, donde no interrumpa el paso o provoque una caída. Algunas herramientas pueden colocarse paradas, pero pueden caerse fácilmente.

- **Los orificios de ventilación suelen cubrir piezas en movimiento, por lo que también se deben evitar.** Las piezas en movimiento pueden atrapar prendas de vestir sueltas, joyas o el cabello largo.
- **Los hilos del alargador deben ser de un calibre apropiado (AWG o American Wire Gauge) para su seguridad.** Mientras menor sea el calibre del hilo, mayor la capacidad del cable. Es decir, un hilo calibre 16 tiene mayor capacidad que uno de 18. Un cable de un calibre insuficiente causará una caída en la tensión de la línea dando por resultado una pérdida de energía y sobrecalentamiento. Cuando se utilice más de un alargador para completar el largo total, asegúrese que los hilos de cada alargador tengan el calibre mínimo. La tabla siguiente muestra el tamaño correcto a utilizar, dependiendo de la longitud del cable y del amperaje nominal de la placa de identificación. Si tiene dudas sobre cuál calibre usar, use un calibre mayor. Cuanto menor sea el número del calibre, más resistente será el cable.

Calibre mínimo de conjuntos de cables

Voltios		Longitud total del cable en pies (metros)			
120 V	25 (7,6)	50 (15,2)	100 (30,5)	150 (45,7)	
240 V	50 (15,2)	100 (30,5)	200 (61,0)	300 (91,4)	
Amperaje nominal		AWG			
Más de Más de					
0	6	18	16	16	14
6	10	18	16	14	12
10	12	16	16	14	12
12	16	14	12	No recomendado	

La etiqueta de su herramienta puede incluir los siguientes símbolos. A continuación se indican los símbolos y sus definiciones:

- V voltios
- Hz hertz
- min minutos
- — — or DC direct current
- Ⓢ Construcción de Clase I (tierra)
- ... /min por minuto
- BPM golpes por minuto
- IPM impactos por minuto
- RPM revoluciones por minuto
- sfpm pies de superficie por minuto
- SPM pasadas por minuto
- OPM oscilaciones por minuto
- A amperios
- W vatios
- ⚡ or AC corriente alterna
- ⚡ or AC/DC corriente alterna o directa
- Ⓢ Construcción de Clase II (doble aislamiento)
- n₀ velocidad sin carga
- IPXX símbolo IP
- n velocidad nominal
- Ⓢ terminal de conexión a tierra
- ⚠ símbolo de advertencia de seguridad
- ⚠ radiación visible
- Ⓢ protección respiratoria
- Ⓢ protección ocular
- Ⓢ protección auditiva
- 📖 lea toda la documentación

Servicio de Aparatos de Aislamiento Doble

Su Soplador tiene aislamiento doble para proporcionar seguridad adicional. En un aparato con aislamiento doble, se proporcionan dos sistemas de aislamiento en lugar de conexión a tierra. Si no se proporcionan medios de conexión a tierra en un aparato con aislamiento doble, no se deben agregar medios de conexión a tierra al aparato. Dar servicio a un aparato con aislamiento doble requiere cuidado extremo y conocimiento del sistema y sólo debe ser realizado por personal de servicio calificado. Las partes de reemplazo para un aparato con aislamiento doble deben ser idénticas a las partes que reemplacen. Un aparato con aislamiento doble está marcado con las palabras double insulated o "double insulation" (aislamiento doble). El símbolo (cuadrado dentro de un cuadrado) también puede estar marcado en el aparato.

Reglas e Instrucciones de Seguridad: Cables de Extensión

Las herramientas de doble aislamiento tienen cables de 2 alambres y se pueden usar con cables de extensión de 2 o 3 alambres. Sólo se deben usar cables de extensión con camisa redonda, y recomendamos que estén certificados por Underwriters Laboratories (U.L.) (C.S.A. en Canadá). Si la extensión se utiliza en exteriores, el cable debe ser adecuado para uso en exteriores. Cualquier cable marcado como exterior también puede usarse para trabajos en interiores.

Antes de usar un cable de extensión, revise si hay cables sueltos o expuestos, aislamiento dañado y accesorios defectuosos. Realice las reparaciones necesarias o reemplace el cable si es necesario.

Reglas e Instrucciones de Seguridad:

Enchufe Polarizado

Para reducir el riesgo de descarga eléctrica, este equipo tiene un enchufe polarizado (una clavija es más ancha que la otra). Este equipo debe utilizarse con un cable de extensión polarizado de 2 o 3 alambres. Las conexiones polarizadas se insertarán de una sola manera. Asegúrese que el extremo del receptáculo del cable de extensión tenga anchos de ranura de clavija grandes y pequeños. Si el enchufe no se conecta completamente al cable de extensión, invierta el enchufe. Si todavía no se inserta, obtenga un cable de extensión adecuado. Si el cable de extensión no se conecta completamente en el tomacorriente, póngase en contacto con un electricista calificado para instalar el tomacorriente adecuado. No cambie el enchufe de la herramienta o el cable de extensión de ninguna manera.

Motor

Asegúrese de que la fuente de energía concuerde con lo que se indica en la placa. Un descenso en el voltaje de más del 10% producirá una pérdida de potencia y sobrecalentamiento. Todas las herramientas son probadas en fábrica; si esta herramienta no funciona, verifique el suministro eléctrico.

Uso Debido

Esta aspiradora está diseñada para uso doméstico.

NO use en condiciones húmedas ni en presencia de líquidos o gases inflamables.

NO permita que los niños toquen la herramienta. Si el operador no tiene experiencia operando esta herramienta, su uso deberá ser supervisado.

MONTAJE Y AJUSTES

⚠ ADVERTENCIA: *Para reducir el riesgo de lesiones personales, apague la unidad y desconéctela de la fuente de energía antes de realizar cualquier ajuste o retirar/instalar conexiones o accesorios. Una activación de arranque accidental puede causar lesiones.*

Ensamble de Tubo de Soplador (Fig. A, C, D, E)

1. Gire la cubierta del ventilador **17** en sentido contrario a las manecillas del reloj. Cierre y asegure la cubierta del ventilador **9** como se muestra en el inserto de la Figura C. Gire el centro de la cubierta del ventilador en sentido de las manecillas del reloj para cerrar el interruptor de interbloqueo.

NOTA: La unidad no operará en modo de soplado sin la cubierta de ventilador cerrada y el centro de la cubierta del ventilador debe girarse en sentido de las manecillas del reloj para cerrar el interruptor de interbloqueo.

NOTA: Alinee los tubos superior e inferior como se muestra en la Fig. C.

2. Empuje el tubo del soplador inferior **4** firmemente en el tubo del soplador superior **3**, hasta que los tubos

hagan clic en su lugar.

NOTA: Los tubos de soplador se deben ensamblar a la cabeza de potencia antes del uso.

NOTA: Nunca opere sin los tubos inferior y superior ensamblados.

3. Por razones de seguridad, no se pretende que los tubos del soplador se separen una vez que estén ensamblados.
4. Empuje el ensamblaje de tubo de soplador sobre la cabeza de potencia **2** hasta que esté en la posición completamente bloqueada (Fig. D).
5. Utilice el accesorio concentrador **5** de aire para dirigir el flujo de aire hacia un área más estrecha. Conecte el accesorio al conjunto, como se muestra en la Figura E. Empuje hasta que el orificio de la ficha encaje en el poste más alto del tubo.

Fig. C

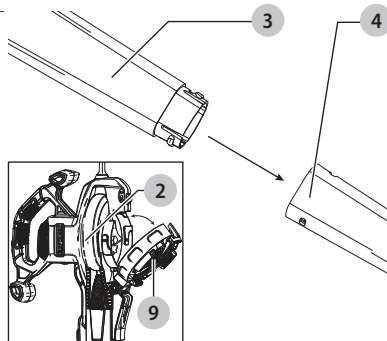


Fig. D

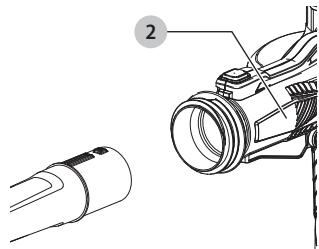
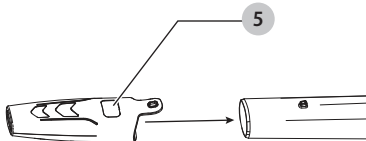


Fig. E



Ensamblaje del Tubo de Aspirado (Fig. F, G, H)

AVISO: *Asegúrese de que el aspirador esté apagado y desconectado de la fuente de alimentación*

antes de instalar o quitar los tubos aspiradores. El tubo aspirador y la bolsa de recolección deben ensamblarse en la carcasa antes del uso. Los tubos aspiradores deben ensamblarse antes del uso.

⚠ ATENCIÓN: RIESGO DE CORTE. Verifique que el ensamblaje del tubo esté correctamente asentado y afirmado en su posición.

1. Los tubos de aspiradora se deben ensamblar antes del uso.
 2. Alinee las muescas y los triángulos en los tubos superior **6** e inferior **7**. (Figura F)
 3. Empuje el tubo inferior firmemente en el tubo superior, hasta que los triángulos hagan clic en su lugar. (Nunca opere por separado).
- NOTA:** Por razones de seguridad, no se pretende que los tubos se separen una vez que estén ensamblados.
4. Gire el centro de la cubierta del ventilador **9** en sentido contrario a las manecillas del reloj. Abra el seguro **18** y abra la cubierta del ventilador **9**.
 5. Sujete el ensamble del tubo de aspiradora a la cabeza de potencia (Fig. H) ubicando el ensamble como lo indica la flecha, después alinee las cuatro ranuras de bloqueo del tubo en el tubo con las cuatro ranuras de bloqueo. Inserte el tubo en el alojamiento y gire en sentido de las manecillas del reloj para bloquear el tubo en su lugar.

Fig. F

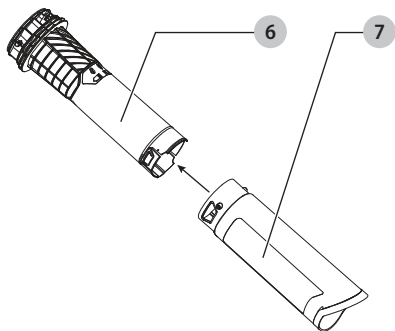


Fig. G

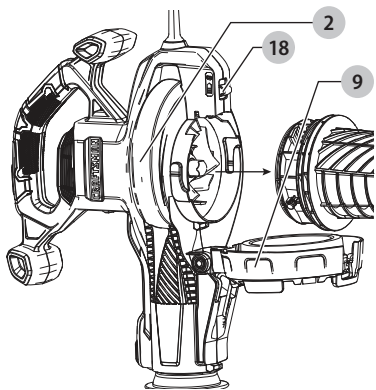
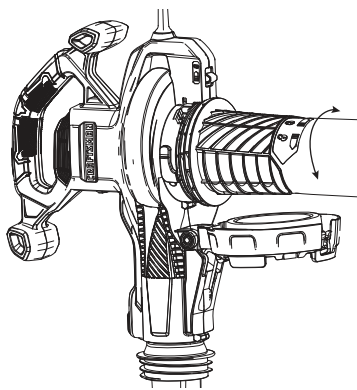


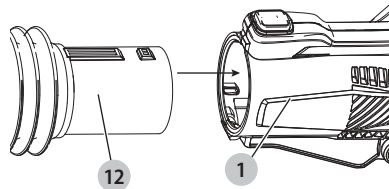
Fig. H



Conexión de tubo flexible a cabeza de potencia (Fig. I)

1. Alinee la cabeza de potencia **1** y el tubo de recolección flexible **12** como se muestra en la Fig. I.
2. Empuje el ensamble de tubo de recolección flexible sobre la cubierta de potencia hasta que esté completamente asegurado en posición y se escuche un clic audible. (Fig. I).
3. Para sellar la bolsa de recolección de mochila **8**, suba el cierre de forma que la abertura esté cerrada.

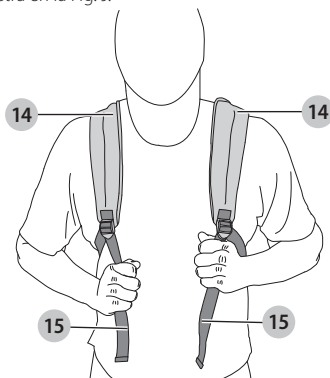
Fig. I



Ajuste de arnés (Fig. J)

1. Coloque las correas de hombro **14** sobre sus hombros.
2. Jale las correas de ajuste **15** hacia abajo hasta que la placa posterior esté firme contra su espalda como se muestra en la Fig. J.

Fig. J



Desinstalación de Tubo de Soplado o Tubo de Recolección Flexible (Fig. I)

Para retirar el tubo de soplado o la bolsa de recolección flexible, presione el botón de liberación en la cabeza de potencia y jale hacia afuera (Fig. I).

OPERACIÓN

⚠ ADVERTENCIA: Para reducir el riesgo de lesiones personales, apague la unidad y desconéctela de la fuente de energía antes de realizar cualquier ajuste o retirar/instalar conexiones o accesorios. Una activación de arranque accidental puede causar lesiones.

⚠ ADVERTENCIA: Utilice siempre anteojos de seguridad. Utilice una máscara. Utilice siempre anteojos de seguridad. Utilice una máscara con filtro si la operación produce polvillo. Se recomienda utilizar guantes de goma y calzado cerrado de material resistente al trabajar al aire libre.

⚠ ADVERTENCIA: Utilice la barredora/aspiradora/triturador solamente con la luz del día o con una buena luz artificial.

Interruptor Encendido y Apagado (Fig. K)

⚠ ADVERTENCIA: Utilice ambas manos para sostener firmemente el producto al encenderlo.

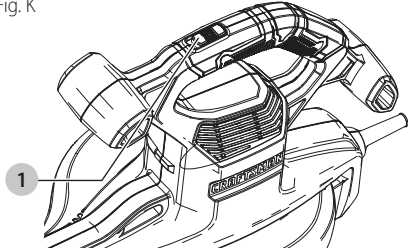
⚠ ATENCIÓN: No apunte la descarga de la unidad a usted mismo o a transeúntes.

⚠ ADVERTENCIA: La herramienta continuará funcionando durante aproximadamente 5 segundos después de haberla apagado. Utilice ambas manos para sostener la herramienta y espere a que el motor se detenga por completo antes de ponerla sobre una superficie.

Su soplador aspiradora está equipado con un interruptor ON/OFF 1 ubicado en la parte superior de la manija.

- Para encender la herramienta, deslice el interruptor on/off hacia el frente a la posición ON (encendido) "1".
- Para apagar la herramienta, deslice el interruptor on/off hacia atrás a la posición OFF (apagado) "0".

Fig. K



Uncionamiento como Sopladora (Fig. L)

⚠ ATENCIÓN: Siempre use anteojos de seguridad. Use una máscara con filtro si el funcionamiento es polvoriento. Se recomienda el uso de guantes, pantalones largos y calzado resistente. Mantenga el cabello largo y la ropa holgada lejos de las aberturas y las piezas en movimiento. Esta barredora es únicamente para uso doméstico.

NOTA: Asegúrese de que el soplador esté apagado y desconectado de la fuente de alimentación antes de instalar o quitar los tubos sopladores.

El tubo soplador debe ensamblarse en la carcasa antes del uso.

- Sostenga el soplador con una mano como se muestra en la Figura L y barra de un lado a otro con la boquilla a cierta distancia por encima de la superficie. Avance lentamente manteniendo la pila acumulada de residuos frente a usted.

Fig. L



Modo de Aspiradora (Fig. A, G, I, M)

⚠ ADVERTENCIA: Asegúrese que el producto esté apagado y desconectado del suministro de energía.

Para instalar el ensamble de la bolsa de recolección al producto:

1. Retire el tubo de soplado.
2. Empuje el ensamble de tubo de recolección flexible 12 sobre la cabeza de potencia 2 hasta que esté completamente asegurado en posición y se escuche un clic audible. (Fig. I).

⚠ ADVERTENCIA: No opere el soplador sin el tubo de soplado o tubo de recolección flexible firmemente en su lugar. Nunca inserte la mano al alojamiento a través del orificio del tubo.

3. Desasegure la cubierta del ventilador 14 desde la parte inferior de la cabeza de potencia. Consulte la Figura G para instrucciones adicionales.
4. Sujete el ensamble del tubo de aspiradora a la cabeza de potencia (Fig. H) ubicando el ensamble como lo indica

la flecha, después haga pivote en este punto hasta que el seguro de bloqueo/liberación esté completamente conectado y se escuche un clic audible.

⚠ ATENCIÓN: *RIESGO DE CORTE. Asegure que el ensamble de tubo de aspiradora esté asentado y asegurado firmemente en posición.*

5. Abra el cierre de la bolsa de recolección **8**.
6. Conecte el cable en la cabeza de potencia al suministro de energía.
7. Coloque el tubo ligeramente arriba de los desechos/hojas. Encienda el soplador/aspiradora, después con un movimiento de barrido los desechos/hojas se succionarán hacia arriba del tubo, se triturarán y depositarán en la bolsa de recolección (Fig. M).
8. Conforme la bolsa de recolección se llene, la potencia de succión disminuirá. Apague el soplador/aspiradora y desconecte del suministro de energía antes de vaciar la bolsa de recolección.

Fig. M

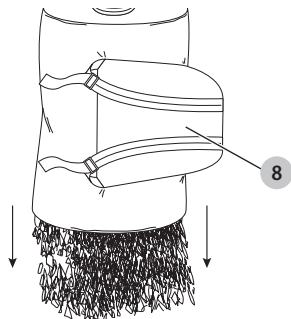


Vaciado de Bolsa de Recolección de Mochila (Fig. N)

⚠ ATENCIÓN: *NUNCA RETIRE LA BOLSA DE RECOLECCIÓN SIN PRIMERO APAGAR Y DESCONECTAR LA ASPIRADORA.*

1. Vacíe la bolsa de recolección de mochila **8** abriendo el cierre de la bolsa.

Fig. N



NOTA: Si la succión disminuye y la bolsa no está llena, el tubo de aspiradora probablemente está obstruido con desechos. Apague y desconecte el soplador/aspiradora y desbloquee el tubo antes de continuar.

2. Para volver a sellar la bolsa de recolección de mochila **8**, suba el cierre de forma que la abertura esté cerrada.

⚠ ADVERTENCIA: *No opere el soplador sin el tubo de soplado o tubo de recolección flexible firmemente en su lugar. Nunca inserte la mano al alojamiento a través del orificio del tubo.*

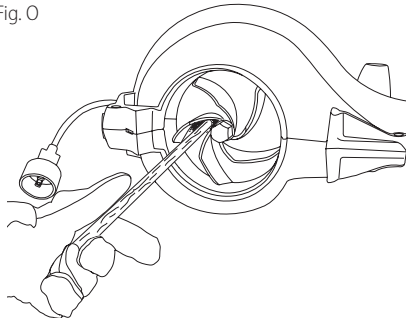
Qué Debe Hacerse si la Unidad se Obstruye (Fig. O)

⚠ ATENCIÓN: *APAGUE EL PRODUCTO Y DESENCHÚFELO DE LA FUENTE DE ALIMENTACIÓN.*

Si el motor de la unidad se detiene, significa que el ventilador se ha obstruido. Apague inmediatamente la unidad y deje de usar la herramienta hasta que se elimine el atascamiento. Si esto ocurre, apague la unidad y desconéctela de la fuente de alimentación. Quite la bolsa y el tubo aspirador. Elimine el material obstructor con una pequeña varilla de madera. No utilice un implemento metálico ni nada que pueda dañar el ventilador o rayar el plástico. Asegúrese de que pueda girar el ventilador manualmente antes de volver a ensamblar la unidad.

Si la unidad deja de recoger residuos o si el rendimiento se reduce sustancialmente, es posible que se haya obstruido. Apague la unidad y desconéctela de la fuente de alimentación. Quite el tubo aspirador y mire a través de éste para asegurarse de que no haya residuos bloqueándolo. Si es necesario, elimine los residuos con una pequeña varilla de madera. No utilice un implemento metálico ni nada que pueda rayar o dañar el tubo. Quite la bolsa. Si la bolsa está llena, vacíela. Si es necesario, elimine todo residuo alrededor del ventilador o la salida de la unidad con una pequeña varilla de madera. No utilice un implemento metálico ni nada que pueda dañar el ventilador o rayar el plástico. Asegúrese de que pueda girar el ventilador manualmente antes de volver a ensamblar la unidad.

Fig. O



MANTENIMIENTO

! ADVERTENCIA: Para reducir el riesgo de lesiones personales, apague la unidad y desconéctela de la fuente de energía antes de realizar cualquier ajuste o retirar/instalar conexiones o accesorios. Una activación de arranque accidental puede causar lesiones.

Versatrack™ (Fig. P)

! ADVERTENCIA: Para reducir el riesgo de lesiones personales, apague la unidad y retire el paquete de batería antes de realizar cualquier ajuste o retirar/instalar conexiones o accesorios. Un arranque accidental puede causar lesiones.

! ADVERTENCIA: Para reducir el riesgo de lesiones personales graves, no use un gancho para colgar integral Versatrack™ o Trackwall de Versatrack™ dañados. Un gancho para colgar integral Versatrack™ o Trackwall de Versatrack™ dañados no soportarán el peso de la herramienta.

! ADVERTENCIA: Para reducir el riesgo de lesiones personales graves, NO suspenda la herramienta por encima ni cuelgue objetos del gancho integral. SÓLO suspenda la herramienta en el Trackwall de Versatrack™ con el gancho para colgar integral.

! ADVERTENCIA: El gancho integral para colgar Versatrack™ está diseñado para montar la herramienta en un riel Trackwall de Versatrack™. No use el gancho de colgar integral para montar la herramienta en ninguna otra superficie.

! ADVERTENCIA: El gancho de colgar integral Versatrack™ no es un gancho de cinturón.

! ADVERTENCIA: Cuando cuelgue objetos en el riel Trackwall de Versatrack™, espacie adecuadamente las herramientas para no exceder 35 kg (75 lbs) por pie lineal.

! ADVERTENCIA: Antes de usar la herramienta, asegúrese que el gancho de colgar integral Versatrack™ vuelva a su posición original

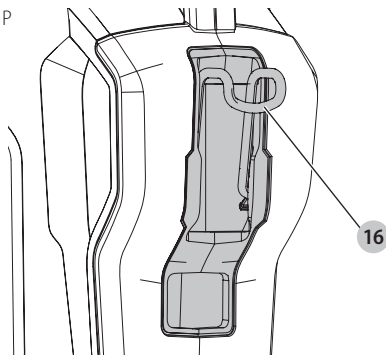
IMPORTANTE: Los accesorios Versatrack™ se instalan en herramientas compatibles de forma segura en el sistema Trackwall de Versatrack™.

1. Apague la herramienta, retire la batería y retire los accesorios.

! ATENCIÓN: Cualquier producto con dientes de corte expuestos debe tenerlos cubiertos de forma segura si va a estar en el Trackwall de Versatrack™.

2. Voltee o abra el gancho de colgar integral **16**. Hace clic cuando está bloqueado en su posición.
3. Monte el gancho de colgar integral len el Trackwall de Versatrack™.

Fig. P



Accesorios

! ADVERTENCIA: Debido a que no se han probado con este producto otros accesorios que no sean los que ofrece CRAFTSMAN, el uso de dichos accesorios con esta herramienta podría ser peligroso. Para reducir el riesgo de lesiones, con este producto deben usarse sólo los accesorios recomendados por CRAFTSMAN.

Los accesorios que se recomiendan para utilizar con la herramienta están disponibles a un costo adicional en su distribuidor local o en un centro de mantenimiento autorizado. Si necesita ayuda para localizar algún accesorio, póngase en contacto con CRAFTSMAN, llame al 1-888-331-4569.

Limpieza

! ADVERTENCIA: Sople la suciedad y el polvo de todos los conductos de ventilación con aire seco, al menos una vez por semana. Para reducir el riesgo de lesiones, utilice siempre protección para los ojos aprobada ANSI Z87.1 al realizar esta tarea.

! ADVERTENCIA: Nunca utilice solventes ni otros químicos abrasivos para limpiar las piezas no metálicas de la herramienta. Estos productos químicos pueden debilitar los materiales plásticos utilizados en estas piezas. Utilice un paño humedecido sólo con agua y jabón neutro. Nunca permita que penetre líquido dentro de la herramienta ni sumerja ninguna de las piezas en un líquido.

Reparaciones

⚠ ADVERTENCIA: *Para asegurar la SEGURIDAD y la CONFIABILIDAD del producto, las reparaciones, el mantenimiento y los ajustes (inclusive la inspección y el cambio de las escobillas, cuando proceda) deben ser realizados en un centro de mantenimiento en la fábrica CRAFTSMAN u en un centro de mantenimiento autorizado CRAFTSMAN. Utilice siempre piezas de repuesto idénticas.*

Para reparación y servicio de sus herramientas eléctricas, favor de dirigirse al Centro de Servicio más cercano

CULIACAN, SIN

Bld. Emiliano Zapata 5400-1 Poniente Col. (667) 717 89 99
San Rafael

GUADALAJARA, JAL

Av. La Paz #1779 - Col. Americana Sector (33) 3825 6978
Juárez

MEXICO, D.F.

Eje Central Lázaro Cárdenas No. 18 - Local (55) 5588 9377
D, Col. Obrera

MERIDA, YUC

Calle 63 #459-A - Col. Centro (999) 928 5038

MONTERREY, N.L.

Av. Francisco I. Madero 831 Poniente - Col. (818) 375 23 13
Centro

PUEBLA, PUE

17 Norte #205 - Col. Centro (222) 246 3714

QUERETARO, QRO

Av. San Roque 274 - Col. San Gregorio (442) 2 17 63 14

SAN LUIS POTOSI, SLP

Av. Universidad 1525 - Col. San Luis (444) 814 2383

TORREON, COAH

Bld. Independencia, 96 Pte. - Col. Centro (871) 716 5265

VERACRUZ, VER

Prolongación Díaz Mirón #4280 - Col. (229) 921 7016
Remes

VILLAHERMOSA, TAB

Constitución 516-A - Col. Centro (993) 312 5111

PARA OTRAS LOCALIDADES:

Si se encuentra en México, por favor llame al (55) 5326 7100

Si se encuentra en U.S., por favor llame al 1-888-331-4569

Póliza de Garantía

IDENTIFICACIÓN DEL PRODUCTO:

Sello o firma del Distribuidor.

Nombre del producto: _____

Mod./Cat.: _____

Marca: _____

Núm. de serie: _____

(Datos para ser llenados por el distribuidor)

Fecha de compra y/o entrega del producto: _____

Nombre y domicilio del distribuidor donde se adquirió el producto: _____

Este producto está garantizado por un año a partir de la fecha de entrega, contra cualquier defecto en su funcionamiento, así como en materiales y mano de obra empleados para su fabricación. Nuestra garantía incluye la reparación o reposición del producto y/o componentes sin cargo alguno para el cliente, incluyendo mano de obra, así como los gastos de transportación razonablemente erogados derivados del cumplimiento de este certificado.

Para hacer efectiva esta garantía deberá presentar su herramienta y esta póliza sellada por el establecimiento comercial donde se adquirió el producto, de no contar con ésta, bastará la factura de compra.

Excepciones

Esta garantía no será válida en los siguientes casos:

- Cuando el producto se hubiese utilizado en condiciones distintas a las normales;
- Cuando el producto no hubiese sido operado de acuerdo con el instructivo de uso que se acompaña;
- Cuando el producto hubiese sido alterado o reparado por personas distintas a las enlistadas al final de este certificado.

Anexo encontrará una relación de sucursales de servicio de fábrica, centros de servicio autorizados y franquiciados en la República Mexicana, donde podrá hacer efectiva su garantía y adquirir partes, refacciones y accesorios originales.

Solamente para propósito de México:

Importado por: Craftsman. Tool Co. S.A. de C.V.
Avenida Antonio Dovali Jaime, # 70 Torre B Piso 9
Colonia La Fe, Santa Fé
Código Postal : 01210
Delegación Alvaro Obregón
México D.F.
Tel. (52) 555-326-7100
R.F.C.: BDE810626-1W7

Registro en Línea

Gracias por su compra. Registre su producto ahora para:

- **SERVICIO EN GARANTÍA:** Si completa esta tarjeta, podrá obtener un servicio en garantía más eficiente, en caso de que exista un problema con su producto.
- **CONFIRMACIÓN DE PROPIEDAD:** En caso de una pérdida que cubra el seguro, como un incendio, una inundación o un robo, el registro de propiedad servirá como comprobante de compra.

- **PARA SU SEGURIDAD:** Si registra el producto, podremos comunicarnos con usted en el caso improbable que se deba enviar una notificación de seguridad conforme a la Federal Consumer Safety Act (Ley Federal de Seguridad de Productos para el Consumidor).
- Registro en línea en www.craftsman.com/registration.

Garantía Limitada por Tres Años

CRAFTSMAN reparará o reemplazará, sin cargo, cualquier defecto debido a materiales o mano de obra defectuosos por tres años desde la fecha de compra. Esta garantía no cubre falla de partes debido al desgaste normal o abuso de la herramienta. Para detalles adicionales de la cobertura de la garantía e información de reparación de garantía, visite www.craftsman.com o llame al **1-888-331-4569**.

Esta garantía no se aplica a accesorios o daño causado cuando otros hayan realizado o intentado reparaciones. ESTA GARANTÍA LIMITADA SE OTORGA EN LUGAR DE TODAS LAS DEMÁS, INCLUIDA LA GARANTÍA IMPLÍCITA DE COMERCIABILIDAD E IDONEIDAD PARA UN PROPÓSITO EN PARTICULAR, Y EXCLUYE TODOS LOS DAÑOS INCIDENTALES O EN CONSECUENCIA. Algunos estados no permiten limitaciones sobre la duración de una garantía implícita o la exclusión o limitación de daños incidentales o en consecuencia, por lo que estas limitaciones pueden no aplicarse en su caso. Esta garantía le da derechos legales específicos y puede tener otros derechos que varían en ciertos estados o provincias

GARANTÍA DE REEMBOLSO DE SU DINERO POR 90 DÍAS

Si no está completamente satisfecho con el desempeño de su máquina herramienta o clavadora CRAFTSMAN, cualquiera sea el motivo, podrá devolverlo hasta 90 días de la fecha de compra con su recibo y obtener el reembolso completo de su dinero – sin necesidad de responder a ninguna pregunta.

AMÉRICA LATINA: Esta garantía no se aplica a los productos que se venden en América Latina. Para los productos que se venden en América Latina, debe consultar la información de la garantía específica del país que viene en el empaque, llamar a la compañía local o visitar el sitio Web a fin de obtener esa información.

REEMPLAZO GRATUITO DE LAS ETIQUETAS DE

ADVERTENCIAS: Si sus etiquetas de advertencia se vuelven ilegibles o faltan, llame al **1-888-331-4569** para que se le reemplacen gratuitamente.

GUÍA DE SOLUCIÓN DE PROBLEMAS

ASEGÚRESE DE SEGUIR LAS REGLAS E INSTRUCCIONES DE SEGURIDAD

Para conocer la ubicación del centro de mantenimiento más cercano a fin de recibir ayuda con su producto, visite nuestro sitio Web www.craftsman.com o llame a la línea de ayuda CRAFTSMAN al 1-888-331-4569.

PROBLEMA	CAUSA POSIBLE	SOLUCIÓN POSIBLE
La unidad no enciende.	Cable desenchufado.	Enchufe el cargador en un tomacorriente que funcione.
	Fusible quemado.	Reemplace el fusible quemado. (Si el producto causa repetidamente que se funda el fusible de circuito, descontinúe el uso de inmediato, y pida que le den servicio en un centro de servicio autorizado.)
El tubo de aspiradora no está ensamblado correctamente.		Consulte Ensamble de tubo de aspiradora respecto a instrucciones adecuadas.
El centro de la cubierta del ventilador no está girado a la posición de operación		Gire el centro de la cubierta del ventilador a la posición de operación.
El interruptor automático está activado.		Reinicie el interruptor automático. (Si el producto causa repetidamente que se funda el fusible de circuito, descontinúe el uso de inmediato, y pida que le den servicio en un centro de servicio autorizado.)
Interruptor o cable dañado.		Pida que un centro de servicio autorizado reemplace el cable o interruptor.

