



Owner's Manual
Guide d'utilisation
Manual del propietario



Model/ Modelo/ Modèle: PM4910-00 / SM4910-00

40V 20" Brushless Lawn Mower

Tondeuse à gazon sans balais 40 V, 50,8 cm (20 po)

Cortadora de césped sin escobillas de 40 V de 20 pulgadas

▲ WARNING: To reduce the risk of injury, the user must read and understand the Owner's Manual before using this product. Save these instructions for future reference.

▲ AVERTISSEMENT : Afin de réduire les risques de blessure, l'utilisateur doit lire et comprendre le guide d'utilisation avant d'utiliser cet article. Conservez le présent guide afin de pouvoir le consulter ultérieurement.

▲ ADVERTENCIA : Para reducir el riesgo de lesiones, el usuario debe leer y comprender el Manual del operador antes de utilizar este producto. Guarde estas instrucciones para consultarlas en caso sea necesario.



For Customer Service
Pour le service à la clientèle
Servicio al cliente

1-877-SKIL-999 OR www.skil.com

TABLE OF CONTENTS

Safety Rules for Cordless Lawn Mower	3-6
Symbols	7-10
Get to Know Your Lawn Mower	11
Specifications	12
Accessory	12-13
Assembly	14-17
Operating Instructions	18-23
Maintenance	24-31
Troubleshooting	32-33
Limited Warranty of SKIL Consumer Tool	34

WARNING

- Some dust created by power sanding, sawing, grinding, drilling and other construction activities contains chemicals known to the State of California to cause cancer, birth defects or other reproductive harm. Some examples of these chemicals are:
 - Lead from lead-based paints.
 - Crystalline silica from bricks, cement, and other masonry products.
 - Arsenic and chromium from chemically-treated lumber.
- Your risk from these exposures varies, depending upon how often you do this type of work. To reduce your exposure to these chemicals:
 - Work in a well-ventilated area.
 - Work with approved safety equipment, such as dust masks that are specially designed to filter out microscopic particles.
 - Avoid prolonged contact with dust from power sanding, sawing, grinding, drilling, and other construction activities. Wear protective clothing and wash exposed areas with soap and water. Allowing dust to get into your mouth or eyes or to lie on the skin may promote absorption of harmful chemicals.

SAFETY RULES FOR CORDLESS LAWN MOWER

⚠ DANGER This machine was built to be operated according to the rules for safe operation included in this manual. As with any type of power equipment, carelessness or error on the part of the operator can result in serious injury. This machine is capable of amputating hands and feet and throwing objects. Failure to observe all safety instructions could result in serious injury or death.

⚠ WARNING When using electric lawn mowers, basic safety precautions should always be followed to reduce the risk of fire, electric shock, and personal injury. These basic precautions include the following:

Children

Tragic accidents can occur if the operator is not alert to the presence of children.

Children are often attracted to the mower and mowing activity. They do not understand the dangers. Never assume that children will remain where you last saw them.

- Keep children out of the mowing area and under the watchful care of a responsible adult other than the operator.
- Be alert and turn the mower off if a child enters the area.
- Use extreme care when approaching blind corners, doorways, shrubs, trees, or other objects that may obscure your vision of a child who may run into the mower.
- Never allow children under 14 years old to operate a power mower. Children 14 years old and over should read and understand the operation instructions and safety rules in this manual and should be trained and supervised by a parent. Only responsible individuals who are familiar with these rules of safe operation should be allowed to use this machine.

Operation

General Operation:

- Read this operator's manual carefully in its entirety before attempting to assemble this machine. Read, understand, and follow all instructions on the machine and in the manuals before operation. Be completely familiar with the controls and proper use of this machine before operating it. Keep this manual in a safe place for future and regular reference.
- Use the right appliance – Do not use the lawn mower for any job except that for which it is intended. Your lawn mower has been designed to perform only one job: to mow grass.
- Don't overreach – Keep proper footing and balance at all times.
- Objects struck by the lawn mower blade can cause severe injuries to persons. The lawn should always be carefully examined and cleared of all objects prior to each mowing.
- Keep the area of operation clear of all persons, particularly small children, and pets.
- Before and while moving backwards with the mower, look behind and down for small children and other people.
- Keep clear of the discharge opening at all times.
- This machine is a precise piece of power equipment, not a plaything. Therefore, exercise extreme caution at all times. Your unit has been designed to perform one job: to mow grass. Do not use it for any other purpose.
- Don't force the lawn mower – it will do the job better and more safely at the rate for which it was designed.
- Thoroughly inspect the area where the equipment is to be used. Remove all stones, sticks, wire, toys and other foreign objects that could be tripped over or picked up and thrown by the blade. Thrown objects can cause serious personal injury.
- Plan your mowing pattern to avoid discharge of material toward roads, sidewalks, bystanders and the like. Also, avoid discharging material against walls or obstructions, which may cause

discharged material to ricochet back toward the operator.

- To help avoid blade contact or an injury from thrown objects, stay in the operator zone behind the handles and keep children, bystanders, helpers and pets at least 100 feet (30m) from the mower while it is in operation. Stop the machine if anyone enters the area.
- Always wear safety glasses or safety goggles during operation and while performing an adjustment or repair to protect your eyes. Thrown objects that ricochet can cause serious injury to the eyes. Always use a face or dust mask if the operation is dusty.
- Dress properly – Do not wear loose clothing or jewelry. They can be caught in moving parts. Use of rubber gloves and footwear is recommended when working outdoors. Wear sturdy, rough-soled work shoes and close-fitting slacks and shirts. Shirts and pants that cover the arms and legs and steel-toed shoes are recommended. Never operate this machine in bare feet, sandals, slippery or lightweight (e.g., canvas) shoes.
- Do not put hands or feet near rotating parts or under the cutting deck. Contact with the blade can amputate hands and feet.
- A missing or damaged discharge cover can cause blade contact or injuries from thrown objects.
- Many injuries occur as a result of the mower being pulled over the foot during a fall caused by slipping or tripping. Do not hold onto the mower if you are falling; immediately release the handle.
- Never pull the mower back toward you while you are walking. If you must back the mower away from a wall or obstruction, first look down and behind you to avoid tripping, and then follow these steps:
 - Step back from mower to fully extend your arms.
 - Be sure you are well balanced with sure footing.
 - Pull the mower back slowly, no more than half way toward you.
 - Repeat these steps as needed.
- Do not operate the mower while under the influence of alcohol or drugs.
- Stay alert – watch what you are doing. Use common sense. Do not operate the lawn mower when you are tired.
- The motor/blade control handle is a safety device. Never attempt to bypass its operation. Doing so makes the safety device inoperative and may result in personal injury through contact with the rotating blade. The motor/blade control handle must operate easily in both directions and automatically return to the disengaged position when released.
- Avoid dangerous environments – Don't use lawn mowers in damp or wet locations so as to avoid slipping and falling during operation.
- Always be sure of your footing. A slip and fall can cause serious personal injury. If you feel you are losing your footing, release the motor/blade control handle immediately and the blade will stop rotating within three seconds.
- Mow only in daylight or good artificial light. Walk, never run while operating.
- Stop the blade when crossing gravel drives, walks or roads.
- If the equipment should start to vibrate abnormally, immediately stop the motor, remove the battery and check for the cause. Vibration is generally a warning of trouble.
- Never operate the mower without the proper trailing shield, discharge cover, grass bag, mulching insert, side discharge chute, motor/blade control handle or other safety protective devices in place and working. Never operate the mower with damaged safety devices. Failure to do so can result in personal injury.
- Always stop the motor before making adjustments to a wheel or a cutting-height adjustment.
- If situations occur that are not covered in this manual, use care and good judgment. Contact SKIL Customer Service for assistance.

- Use only the charger supplied by the manufacturer to recharge.
- Do not charge the battery pack outdoors.
- Do not charge the battery pack in rain or in wet locations.
- Use the lawn mower only with specifically designated battery pack. Use of any other batteries may create a risk of fire.
- Use only with battery packs and chargers listed below.

Battery	Charger
BY8705-00 BY8708-00	SC5364-00 SC5376C-00

Operation On A Slope:

Slopes are a major factor related to slip-and-fall accidents, which can result in severe injury. Operation on slopes requires extra caution. If you feel uneasy on a slope, do not mow it. For your safety, use the slope gauge in this manual to measure slopes before operating this unit on a sloped or hilly area. If the slope is greater than 15 degrees, do not mow it.

Do:

- Mow across the face of slopes; never mow up and down. Exercise extreme caution when changing direction on slopes.
- Watch for holes, ruts, rocks, hidden objects, or bumps which can cause you to slip or trip. Tall grass can hide obstacles.

Do not:

- Do not mow near drop-offs, ditches or embankments; you could lose your footing or balance.
- Do not mow slopes greater than 15 degrees, as shown on the slope gauge.
- Do not mow on wet grass. Unstable footing could cause slipping.

Service

⚠ WARNING Grass bag components, the discharge cover, side discharge chute, mulching insert and trailing shield are subject to wear and damage, which could expose moving parts or allow objects to be thrown and could increase the risk of injury. For safety protection, frequently check all components and replace damaged components immediately with identical replacement parts. Contact SKIL Customer Service for assistance.

- Remove or disconnect the battery pack before servicing, cleaning, or removing material from the lawn mower.
- Do not wash the mower with a hose; avoid getting water in the motor and electrical connections.
- Before cleaning the machine, turn the motor off and wait until the blade comes to a complete stop, then remove the battery pack. The cutting blade continues to rotate for a few seconds after the motor is shut off. Never place any part of the body in the blade area until you are sure the blade has stopped rotating. Then unclog the chute or remove or replace the grass bag, or mulching insert.
- Follow instructions for lubricating and changing accessories.
- Keep handles dry, clean and free from oil and grease.
- To reduce a fire hazard, keep the motor cover free of grass, leaves and debris build-up.
- Check the blade and motor mounting bolts at frequent intervals for proper tightness. Also, visually inspect the blade for damage (e.g., bending, cracking and wear.). Replace the blade only with the identical replacement blade.

- Maintain your mower with care – keep the mower blade sharp and clean for the best and safest performance. Mower blades are sharp and can cut. Wrap the blade or wear gloves and use extra caution when servicing it.
- Keep all nuts, bolts, and screws tight to be sure the equipment is in safe working condition.
- Never remove or tamper with safety devices. Regularly check their proper operation. Never do anything to interfere with the intended function of a safety device or to reduce the protection provided by a safety device.
- After striking a foreign object, stop the motor, remove the battery pack, allow the blade to stop rotating, and thoroughly inspect the mower for any damage. Repair the damage before operating the mower.
- Remove the battery and store the idle lawn mower in a covered area when not in use. Allow the motor to cool before storing it in any enclosure. The lawn mower should be stored in a dry, high, or locked-up enclosure, out of reach of children.
- Maintain or replace safety and instruction labels, as necessary.
- Do not incinerate the appliance even if it is severely damaged. The batteries can explode in a fire.
- Do not expose a battery pack or tool to fire or excessive temperature. Exposure to fire or temperature above 212 °F (100°C) may cause explosion.
- When servicing, use only identical replacement parts. Use of parts that do not meet the original equipment specifications may lead to improper performance and compromised safety.
- **SAVE THESE INSTRUCTIONS.** Refer to them frequently and use them to instruct others who may use this tool. If you lend this tool to someone else, also lend these instructions to them to prevent misuse of the product and possibly injury.





SAVE THESE INSTRUCTIONS!

SYMBOLS

Safety Symbols

The purpose of safety symbols is to attract your attention to possible dangers. The safety symbols and the explanations with them deserve your careful attention and understanding. The symbol warnings do not, by themselves, eliminate any danger. The instructions and warnings they give are no substitutes for proper accident prevention measures.

⚠ WARNING Be sure to read and understand all safety instructions in this Owner's Manual, including all safety alert symbols such as "**DANGER**," "**WARNING**," and "**CAUTION**" before using this tool. Failure to following all instructions listed below may result in electric shock, fire, and/or serious personal injury.

The definitions below describe the level of severity for each signal word. Please read the manual and pay attention to these symbols.	
	This is the safety alert symbol. It is used to alert you to potential personal injury hazards. Obey all safety messages that follow this symbol to avoid possible injury or death.
	DANGER indicates a hazardous situation which, if not avoided, will result in death or serious injury.
	WARNING indicates a hazardous situation which, if not avoided, could result in death or serious injury.
	CAUTION, used with the safety alert symbol, indicates a hazardous situation which, if not avoided, will result in minor or moderate injury.

Damage Prevention and Information Messages

These inform the user of important information and/or instructions that could lead to equipment or other property damage if they are not followed. Each message is preceded by the word "NOTICE", as in the example below:







NOTICE: Equipment and/or property damage may result if these instructions are not followed.









⚠ WARNING The operation of any power tools can result in foreign objects being thrown into your eyes, which can result in severe eye damage. Before beginning power tool operation, always wear safety goggles or safety glasses with side shields and a full face shield when needed. We recommend a Wide Vision Safety Mask for use over eyeglasses or standard safety glasses with side shields. Always use eye protection which is marked to comply with ANSI Z87.1.

SYMBOLS (CONTINUED)








IMPORTANT: Some of the following symbols may be used on your tool. Please study them and learn their meaning. Proper interpretation of these symbols will allow you to operate the tool better and more safely.

Symbol	Name	Designation/Explanation
V	Volts	Voltage (potential)
A	Amperes	Current
Hz	Hertz	Frequency (cycles per second)
W	Watt	Power
kg	Kilograms	Weight
min	Minutes	Time
s	Seconds	Time
Wh	Watt-hours	Battery capacity
Ah	Ampere-Hours	Battery capacity
Ø	Diameter	Size of drill bits, grinding wheels, etc.
n_0	No load speed	Rotational speed, at no load
n	Rated speed	Maximum attainable speed
.../min	Revolutions or reciprocation per minute	Revolutions, strokes, surface speed, orbits, etc. per minute
IPX4	Ingress Protection Degree	Protection from splashing water
	Arrow	Action in the direction of arrow
	Alternating current	Type or a characteristic of current
	Direct current	Type or a characteristic of current
	Maintain Safety Devices	Do not open or remove safety shields while the tool is running.
	Look Behind While Backing	Look down and behind first to avoid tripping when pulling back.
	DANGER - Keep Bystanders Away	Do not mow when children or others are nearby.

Symbol	Name	Designation/Explanation
	DANGER - Keep Hands and Feet Away	To reduce the risk of injury, keep hands and feet away from rotating parts. Do not operate unless discharge cover or grass bag is in its proper place. If damaged, replace immediately.
	DANGER – Thrown Debris	Remove objects that can be thrown by the blade in any direction. Wear safety glasses.
	DANGER - Steep Slope Hazard	Use extra caution on slopes. Do not mow slopes greater than 15 degrees.
	Li-ion RBRC seal	Designates Li-ion battery recycling program
	Read manual symbol	Alerts user to read manual
	Wear eye protection symbol	Always wear safety goggles or safety glasses with side shields and a full face shield when operating this product.

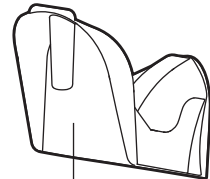
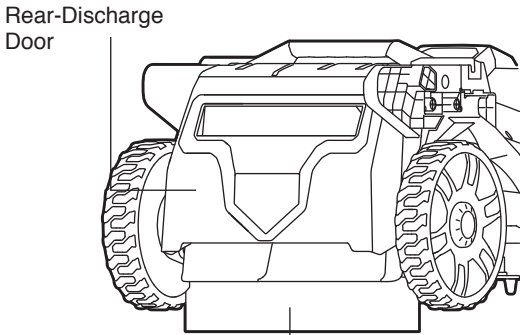
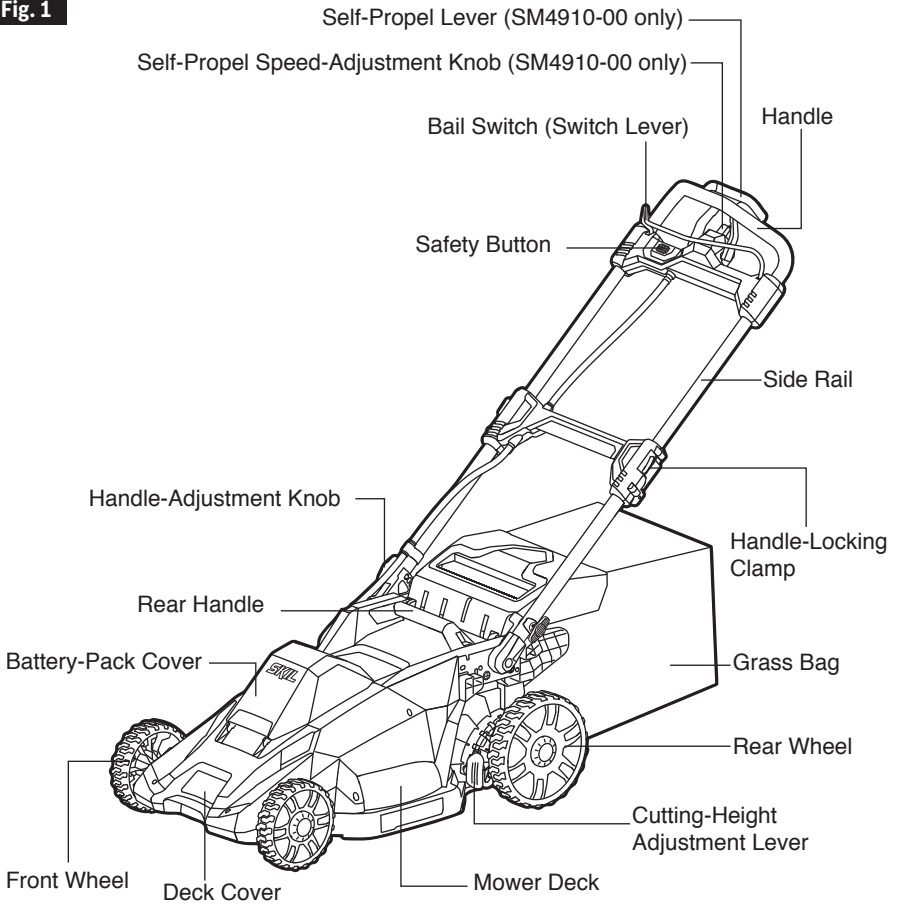
SYMBOLS (CERTIFICATION INFORMATION)

IMPORTANT: Some of the following symbols for certification information may be used on your tool. Please study them and learn their meaning. Proper interpretation of these symbols will allow you to operate the tool better and more safely.

Symbol	Designation/Explanation
	<p>This symbol designates that this tool is listed by Underwriters Laboratories.</p>
	<p>This symbol designates that this component is recognized by Underwriters Laboratories.</p>
	<p>This symbol designates that this tool is listed by Underwriters Laboratories, to United States and Canadian Standards.</p>
	<p>This symbol designates that this tool is listed by the Canadian Standards Association.</p>
	<p>This symbol designates that this tool is listed by the Canadian Standards Association, to United States and Canadian Standards.</p>
	<p>This symbol designates that this tool is listed by the Intertek Testing Services, to United States and Canadian Standards.</p>
	<p>This symbol designates that this tool complies to NOM Mexican Standards.</p>

GET TO KNOW YOUR LAWN MOWER

Fig. 1



Trailing Shield

Mulching Insert

SPECIFICATIONS

Model No.	PM4910-00	SM4910-00
Self-Propel System	No	Yes
Rated voltage	40V d.c.	
No-load Speed	2600 RPM	
Cutting Height	1-1/2" ~ 4"	
Cutting-Height Positions	7 Settings	
Deck Size	20" (510mm)	
Grass-Bag Volume	1.7 Bushel (60L)	
Recommended working temperature	32~104°F (0~40°C)	
Recommended storage temperature	32~104°F (0~40°C)	

ACCESSORY

⚠ WARNING The following part is subjected to be worn out from normal use. Use only identical replacement parts listed below. Use of parts that do not meet the original equipment specifications may lead to improper performance and compromised safety.

Part Name	Model Number
20" Lawn Mower Blade	SMB2000

Safety Button

The safety button must be pressed down before the motor can be started.

Bail Switch

The bail switch is located on the upper handle of the mower. The switch engages and disengages the motor/ blade.

⚠ WARNING The bail switch and the safety button are safety devices. Never attempt to bypass their operations.

Self-Propel Lever (model SM4910-00 only)

Turns the self-propel function ON and OFF.

Self-Propel Speed-Adjustment Knob (model SM4910-00 only)

Increases or decreases the self-propel speed by turning the adjustment knob.

Handle-Locking Clamp

Locks/unlocks the side rails in the extended or the recessed position.

Side Rails

Can be extended and locked for operation or recessed for storage.

Handle-Adjustment Knob

Locks/unlocks the handle position when adjusting the angle of the mower handle:

1. Locked Storage Position
2. Upper Operating Position
3. Middle Operating Position
4. Lower Operating Position

Trailing Shield & Rear Discharge Door

The trailing shield is designed to minimize stones or other objects being thrown backward by the mower blade. The shield and the rear discharge door minimize the possibility of accidental foot contact with the blade. DO NOT operate the mower without the trailing shield and rear discharge door in place.

Spring-Loaded Cutting-Height Adjustment Lever

One-handed cutting-height adjustment.

ASSEMBLY

⚠ WARNING To prevent accidental starting that could cause serious personal injury, always remove the battery pack from the tool when assembling parts, making adjustments, cleaning, or when not in use.

⚠ WARNING Do not attempt to modify this tool or create accessories not recommended for use with this tool. Any such alteration or modification is misuse and could result in a hazardous condition leading to possibly serious injury.

⚠ WARNING Do not use any attachments or accessories not recommended by the manufacturer of this product. The use of attachments or accessories not recommended can result in serious personal injury.

Unpacking

- First remove all the accessories from the carton, then grasp both the front part of the deck cover and the rear handle at the same time to carefully lift the mower up and out of the carton.
- Inspect the product carefully to make sure that no breakage or damage occurred during shipping.
- Do not discard the packing material until you have carefully inspected and satisfactorily operated the mower.
- If any parts are damaged or missing, please return the mower to the place of purchase.

Assemble the Grass Bag

1. Check the grass bag before assembling, to make sure that there is no damage.
2. Remove the rubber protection tubing for the grass bag hooks (Fig. 2).
3. Slide the grass bag onto the frame (Fig. 2).
4. Assemble the top clips to the frame (Fig. 3), then assemble the two side clips. Assemble the bottom clip last.
5. The completely assembled grass bag is shown in Fig. 4.

Fig. 2

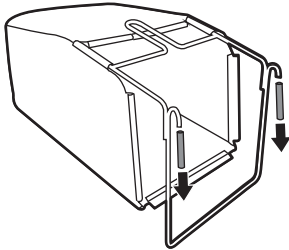


Fig. 3

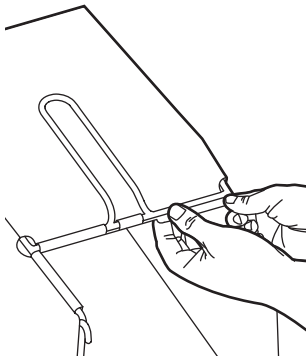
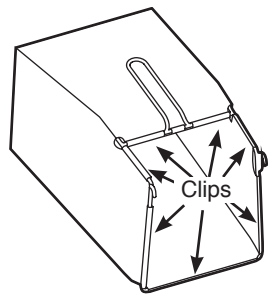


Fig. 4

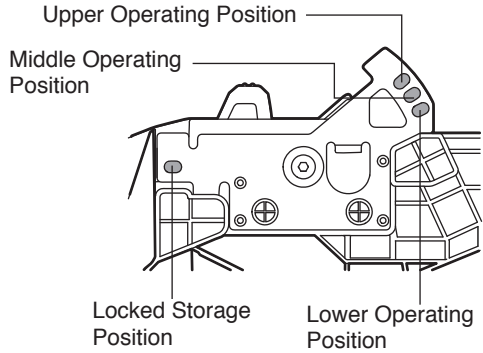
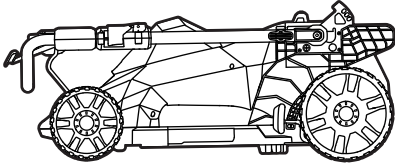


Adjust the Foldable Handle

⚠ WARNING Do not attempt to start the mower until the handle has been locked at one of the three preset operating positions.

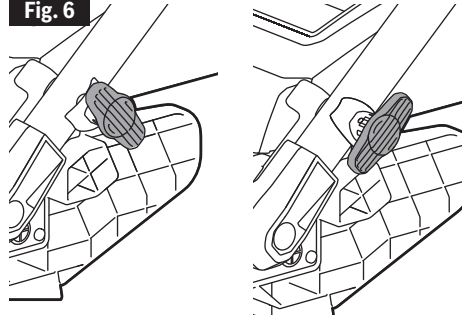
1. **Locked Storage Position:** Your mower is shipped with the handle in the compact, locked position (Fig. 5).

Fig. 5



2. **Upper Operating Position:** Turn the two handle-adjustment knobs to the unlock position (Fig. 6). Lift the handle with one hand, then gently pivot the handle backward to the upper operating position. Turn the two handle-adjustment knobs back to the locked position (Fig. 6) and make sure that the lock pin has engaged in the upper operating position. Open the two handle-locking clamps and fully extend the side rails (Fig. 7). Securely close the two handle-locking clamps (Fig. 8). Taller users may prefer this position.

Fig. 6



Unlock Position

Locked Position

Fig. 7

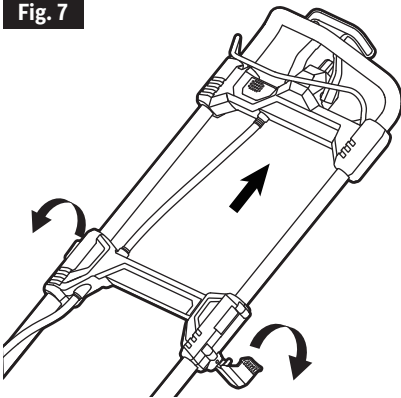
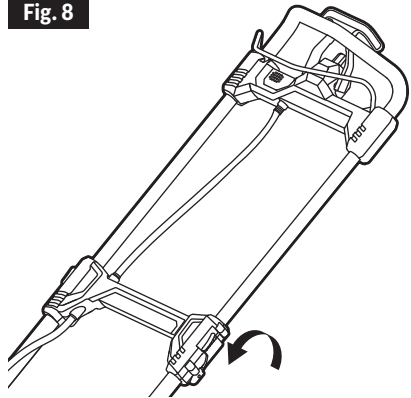


Fig. 8



3. **Middle Operating Position:** Turn the two handle adjustment knobs to the unlock position. Gently pivot the handle downward to the middle operating position. Turn the two handle-adjustment knobs back to the locked position and make sure that the lock pin has engaged in the middle operating position. Open the two handle-locking clamps and fully extend the side rails. Securely close the two handle-locking clamps.
4. **Lower Operating Position:** Turn the two handle-adjustment knobs to the unlock position. Gently pivot the handle downward to the lower operating position. Turn the two handle-adjustment knobs back to the locked position and make sure that the lock pin has engaged in the lower operating position. Open the two handle-locking clamps and fully extend the side rails. Securely close the two handle-locking clamps.

NOTE: The motor cannot be started unless:

- a) The side rails are fully extended.
- b) Both handle-locking clamps are securely closed.
- c) The handle is locked into one of the three operating positions.

Attach/Remove the Grass Bag

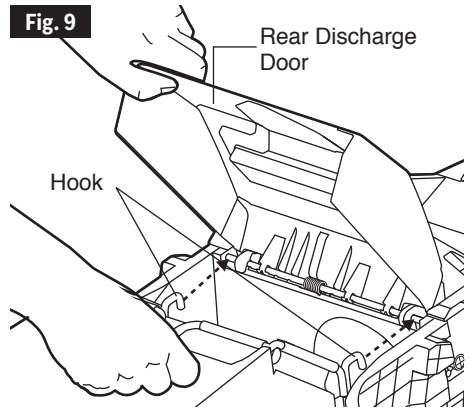
⚠ WARNING Do not at any time make any adjustment to the lawn mower without first stopping the motor, removing the battery pack, and waiting for the blade to stop rotating.

NOTICE: Remove the mulching insert before attaching the grass bag to the mower.

1. Remove the battery pack.
2. Adjust the handle to the locked storage position.
3. Lift the rear-discharge door.
4. Hook the grass bag assembly on the pivot rod (Fig. 9). Release the discharge door so that it rests on the grass bag.
5. To remove the grass bag, lift the rear-discharge door on the mower. Lift the grass bag up, off of the pivot rod.
6. Release the discharge door.

⚠ WARNING When using the grass bag, never operate the mower unless the hooks on the grass bag are firmly seated on the pivot rod and the rear-discharge door rests firmly against the top of the grass bag.

⚠ WARNING Under normal usage, bag material is subject to wear. To reduce the risk of injury, frequently inspect the bag assembly and replace if there are any signs of wear or deterioration. Use only grass bags manufactured for this mower.

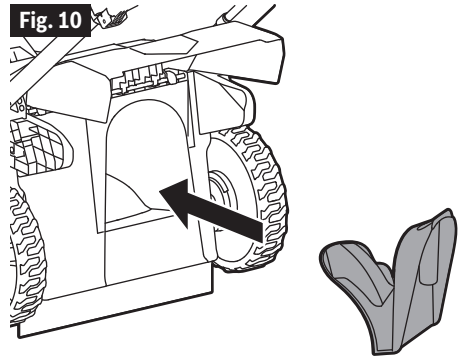


Attach/Remove the Mulching Insert

⚠ WARNING Do not at any time make any adjustment to the lawn mower without first stopping the motor, removing the battery pack, and waiting for the blade to stop rotating.

1. Remove the battery.
2. Lift the rear-discharge door.
3. Grasp the handle of the mulching insert and fully insert it into the mower, so that it is securely seated (Fig. 10).
4. To remove the mulching insert, lift the rear-discharge door, grasp the handle of the mulching insert, and pull it out.
5. Release the discharge door and make sure it rests firmly against the mulching insert.

NOTICE: The mulching insert must be removed in order to install and use the grass bag.



OPERATING INSTRUCTIONS

⚠ WARNING To reduce the risk of fire, personal injury, and product damage due to a short circuit, never immerse your tool, battery pack, or charger in fluid or allow a fluid to flow inside them. Corrosive or conductive fluids, such as seawater, certain industrial chemicals, and bleach or bleach-containing products, etc. can cause a short circuit.

⚠ WARNING If any parts are damaged or missing, do not operate this product until the parts are replaced. Use of this product with damaged or missing parts could result in serious personal injury.

⚠ WARNING Always wear eye protection with side shields marked to comply with ANSI Z87.1. Failure to do so could result in objects being thrown into your eyes and other possible serious injuries.

⚠ WARNING Do not allow familiarity with this product to make you careless. Remember that a careless fraction of a second is sufficient to inflict serious injury.

Before each use, inspect the entire product for damaged, missing, or loose parts, such as screws, nuts, bolts, caps, etc. Tighten securely all fasteners and caps and do not operate this product until all missing or damaged parts are replaced.

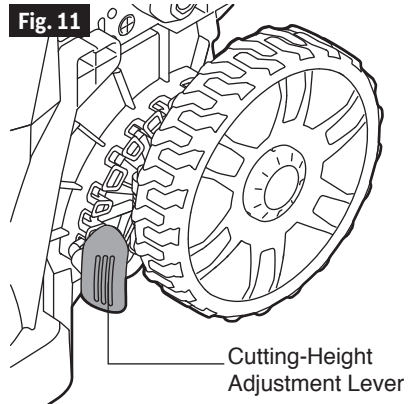
Adjust the Cutting Height (Fig. 11)

⚠ WARNING Do not at any time make any adjustment to the lawn mower without first stopping the motor, removing the battery pack, and waiting for the blade to stop rotating.

⚠ WARNING Keep your feet away from the deck when adjusting its height.

The mower can be set to any of 7 cutting heights between 1-1/2" and 4". Choose the proper cutting height according to the type and condition of the grass.

1. Use one hand to hold the nearby handle tube for stability and use the other hand to move the cutting-height adjustment lever outwards from the slots in the cutting-height indication plate.
2. Move the cutting-height adjustment lever toward the back of the mower for a higher cutting height; move it toward the front of the mower for a lower cutting height.
3. Once arriving at the desired cutting-height position, engage the cutting-height adjustment lever back into the slot.



Attach/Detach Battery Pack (Fig. 12)

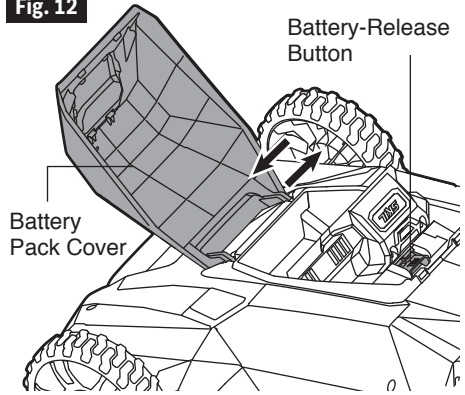
⚠ WARNING Battery tools are always in operating condition.

Therefore, remove the battery when assembling parts, making adjustments, cleaning, when the tool is not in use, or when carrying it at your side. Removing the battery pack will prevent accidental starting that could cause serious personal injury.

1. The battery-pack cover is hinged. Raise the battery-pack cover by lifting the front of the cover.
2. Align the grooves in the battery pack with the raised ribs in the mower's battery compartment. Then insert the battery pack into the compartment.
3. Push the battery pack until you hear a "click". The battery-release button will spring up when the battery pack is securely attached.
4. To detach the battery pack, depress the battery-release button to release the battery pack, and then lift it out of the compartment.
5. Close the battery pack cover.

NOTICE: Make sure that the latch on the mower snaps into place and that the battery pack is secured to the mower before starting operation.

Fig. 12



Start/Stop the Mower

⚠ WARNING The operation of any lawn mower can result in foreign objects being thrown into your or others' eyes, which can damage eyes severely. Always wear safety glasses while operating the mower or while performing any adjustments or repairs on the mower.

⚠ WARNING Ensure that other people and pets remain at least 100' (30m) away from the mower when it is in use.

⚠ WARNING The blade will continue to rotate for a few seconds after the mower is turned off. Allow the motor/blade to stop rotating before starting it again.

Do not rapidly turn the mower off and on.

⚠ CAUTION Do not attempt to override the operation of the safety button and bail switch.

NOTICE: The motor cannot be started unless:

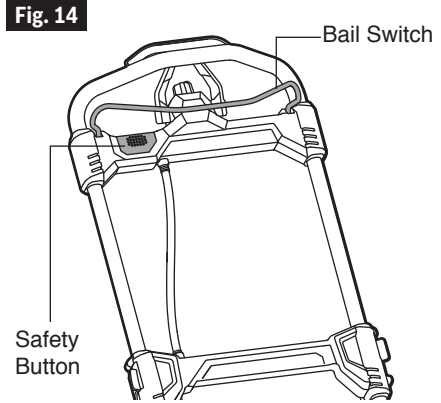
- The side rails are fully extended.
- Both handle-locking clamps are securely closed.
- The handle is locked into one of the three operating positions.

To start the mower (Fig. 13)

1. Attach the battery pack to the mower and close the battery-pack cover.
2. Depress the safety button.
3. With the safety button depressed, pull the bail switch upward to meet the handle. The mower will start.
4. Release the safety button.

To stop the mower (Fig. 14)

1. Fully release the bail switch.
2. The electric brake will stop the blade rotation within 3 seconds of the bail switch release.



Self-Propel System (model SM4910-00 only)

The SM4910-00 mower is equipped with self-propel function. This system is independent of the blade On-Off switch and it is not dependent on blade rotation. For example, when you have completed cutting your lawn, you can use the self-propel to propel the mower back to your storage location without blade rotation. You may also choose to operate the mower as a non-self-propelled mower to maximize battery running time.

To operate the self-propel system without blade rotation, pull the self-propel lever to the handle.

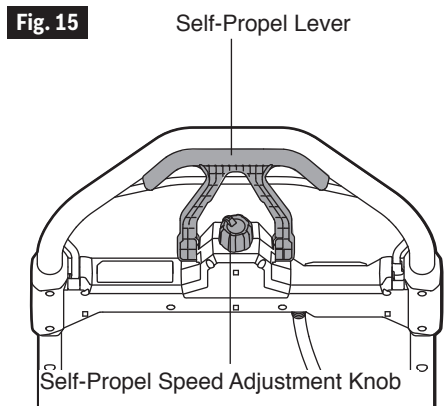
To turn the self-propel off, release the self-propel trigger (Fig. 15).

The system has a speed-adjustment knob.

Rotate the knob to adjust the mower self-propel speed according to your need.

To operate with the blade rotating for cutting:

1. Depress the safety button.
2. With the safety button depressed, pull the bail switch upward to the handle and release the safety button.



3. Hold the bail switch against the handle with one hand. Pull the self-propel lever to the handle with the other hand.
4. With one hand, hold both the bail switch and the self-propel lever against the handle and use the other hand to adjust the self-propel speed adjustment knob to choose the desired speed.

NOTICE: When you turn off the self-propel, for example, at the end of a row, it may become temporarily locked if you pull backwards on the mower. Simply push ahead slightly and then move the mower as required.

NOTICE: During cutting, at times it may be easier to mow around an object, with the self-propel turned off.

⚠ WARNING To reduce the risk of injury, never attempt to override the operation of the switch or self-propel system. Use the self-propel for its intended purpose only.

Mowing Tips

NOTICE: A sharp blade will greatly enhance the performance of the mower, especially when cutting tall grass. Make sure to check the sharpness of the blade before mowing.

- Verify that the lawn is free of stones, sticks, wires, and other objects which could damage the lawn mower or motor. Such objects could be accidentally thrown by the mower in any direction and could cause serious personal injury to the operator and to others.

⚠ WARNING If you strike a foreign object, stop the motor and remove the battery. Thoroughly inspect the mower for any damage, and repair the damage before restarting and operating the mower. Excessive vibration of the mower during operation is an indication of damage. The unit should be promptly inspected and repaired.

- For best results, do not mow in circles. Travel back and forth across the lawn.
- When cutting thick grass, reduce your walking speed in order to allow for a more effective cut and a proper discharge of the clippings.
- To maintain a healthy lawn, cut off only one-third or less of the total length of the grass. The average lawn should be approximately 1-1/2 to 2 inches long during cool months, and between 2 to 3-1/4 inches long during hot months.

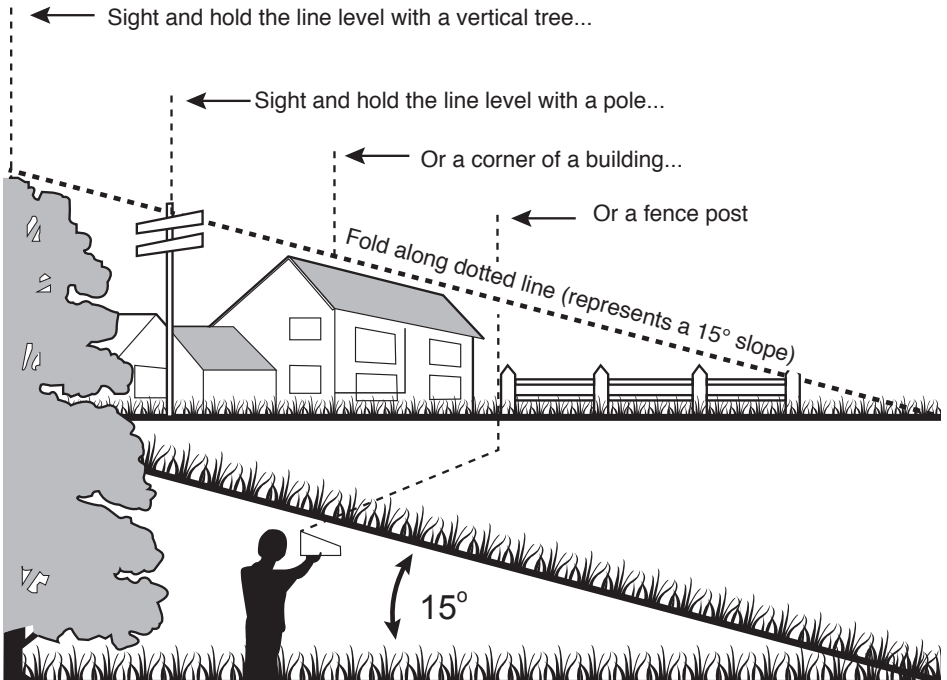
⚠ WARNING Always remove the battery pack from the mower after finishing work.

Slope Gauge (Fig. 16)

⚠ WARNING Do not mow a slope that has an angle of greater than 15° (a rise of approximately 2-1/2' (0.75m) every 10' (3m)). Mow across the face of a slope and never up and down.

Use Fig. 16 as a guide in order to identify slopes that cannot be mowed safely.

Fig. 16



Mulching Tips

⚠ WARNING Inspect the area where the mower is to be used and remove all stones, sticks, wire and other debris that might be thrown by the rotating blade.

- Release the switch to turn off the mower blade rotation when crossing any graveled areas; stones can be thrown by a rotating blade.
- Set the mower to the highest cutting height when mowing on uneven ground or in tall growth.
- For effective mulching, do not cut wet grass; it tends to stick to the underside of the deck, preventing the proper mulching of grass clippings. The best time to mow grass is in the late afternoon, when the grass is dry and the newly cut area will not be exposed to direct sunlight.

- For the best mulching performance, set the cutting height to remove approximately one third of the grass-blade length, ideally no more than 1-1/2" at one time. If the grass is overgrown, it may be necessary to increase the cut height to make it easier to mow and to prevent overloading the motor. Slow your cutting pace in tall or thick grass conditions. For mulching extremely thick or tall grass, it is advisable to first cut at a high cutting-height setting, and then re-cut to the final cut height. Otherwise, make narrower cuts and mow slowly. ALWAYS MAKE SURE THAT THE BLADE IS SHARP.

 **WARNING** Always remove the battery pack from the mower after finishing work.

MAINTENANCE

⚠ WARNING To avoid serious personal injury, always remove the battery pack from the tool before cleaning or performing any maintenance.

⚠ WARNING When servicing, use only identical replacement parts. Use of any other parts could create a hazard or cause product damage.

Periodically inspect the entire product for damaged, missing, or loose parts such as screws, nuts, bolts, caps, etc. Tighten securely all fasteners and caps and do not operate this product until all missing or damaged parts are replaced. Please contact customer service or an authorized service center for assistance.

Contact a **SKIL Factory Service Center or Authorized SKIL Service Station for help.**

Cleaning the mower

⚠ WARNING Always remove the battery pack from the tool when cleaning or performing any maintenance.

The underside of mower deck should be cleaned after each use, as grass clippings, leaves, dirt and other debris will accumulate. This accumulation is undesirable, as it will promote rust and corrosion.

Remove any build-up of grass and leaves on or around the rear wheel drive shaft (self-propel mower only) and motor fan (do not use water). Wipe the mower clean with a damp cloth.

⚠ WARNING Do not at any time let brake fluids, gasoline, petroleum-based products, penetrating oils, etc. come in contact with plastic parts. Chemicals can damage, weaken or destroy plastic which may result in serious personal injury.

Removing the Blade

⚠ WARNING Always protect your hands by wearing heavy gloves or wrapping the cutting edges with rags or other materials when performing any maintenance on the mower blade. Always remove the battery pack when servicing or transporting the mower.

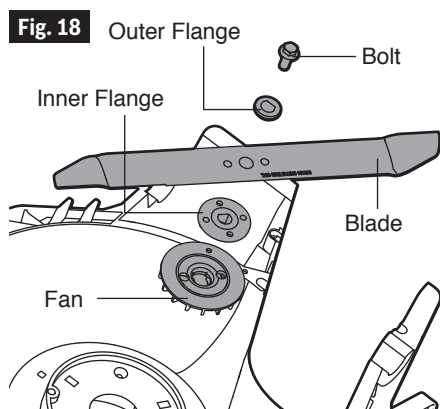
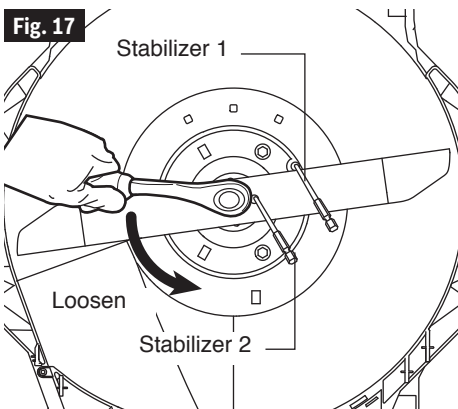
NOTICE: The following tools (not included with the mower) are required for replacing the blade:

- 9/16" (14mm) wrench
- Torque wrench
- Manual screwdriver or metal rod with a diameter of 5/16" (8mm)
- Manual screwdriver or metal rod with a diameter of 1/4" (6.35mm) or less.

1. Stop the motor; remove the battery pack from the mower.
2. Turn the mower on its side.
3. While wearing protective gloves, place a metal rod (e.g., a 3.5" length screw bit) with diameter of 5/16" (8mm) into the fixing hole to act as a stabilizer.

NOTICE: If the bolt rotates with the motor shaft when loosening the bolt, turn the fan by hand to align the through holes in the fan with the holes in the blade, and place another metal rod (e.g., a 3.5" length screw bit) with diameter less than 1/4" (6.35mm) into the aligned holes to act as another stabilizer (Fig. 17).

4. Use a 9/16" (14mm) wrench to turn the blade bolt counterclockwise to loosen it.
5. While wearing protective gloves, remove the bolt, outer flange and the blade (Fig. 18).

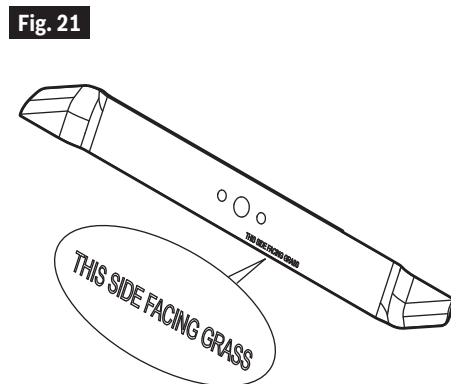
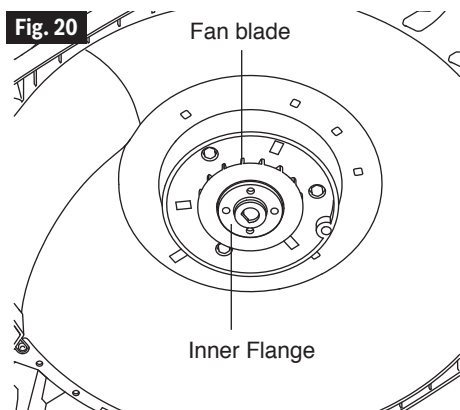
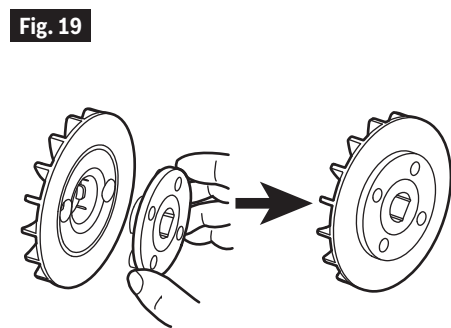


Installing the Blade

⚠ WARNING Always protect your hands by wearing heavy gloves or wrapping the cutting edges with rags or other materials when performing any maintenance on the mower blade. Always remove the battery pack when servicing or transporting the mower.

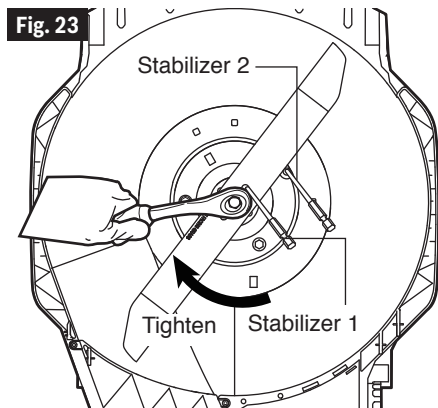
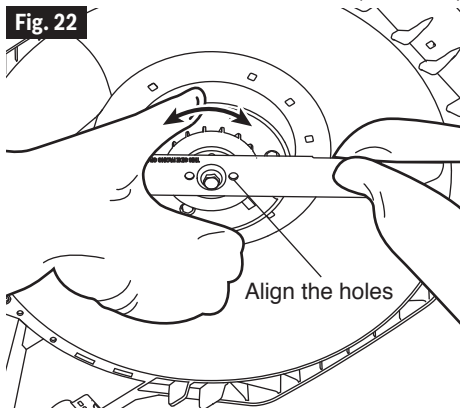
NOTICE: To re-install or replace the blade, be sure to replace the parts exactly in the order in which they were removed (Fig. 18).

1. Mount the inner flange to the fan (Fig. 19).
2. Mount the fan and the inner flange onto the motor shaft with the fan blade towards the deck (Fig. 20).
3. While wearing protective gloves, position the blade on the inner flange with the surface marked "THIS SIDE FACING GRASS" facing toward the outside (Fig. 21).



4. Align the outer flange with the shaft and assemble it in place.
5. Mount the bolt into the shaft and turn it clockwise by hand to pre-tighten it.

6. While still wearing protective gloves, hold the blade with one hand and turn the fan with the other hand to align the holes in the blade with the through holes in the inner flange (Fig. 22).
7. Place a metal rod (e.g., a 3.5" length screw bit) with diameter less than 1/4" (6.35mm) into the aligned holes to act as a stabilizer. Place another metal rod (e.g., a 3.5" length screw bit) with diameter of 5/16" (8mm) into the fixing hole to act as another stabilizer (Fig. 23).
8. Use a 9/16" (14mm) torque wrench to tighten the bolt clockwise. The recommended torque for the blade bolt is 36~43 ft-lb (49-59Nm).



Sharpening the Blade

⚠ WARNING Always protect your hands by wearing heavy gloves or wrapping the cutting edges with rags or other materials when performing any maintenance on the mower blade. Always remove the battery pack when servicing or transporting the mower.

⚠ WARNING Use proper eye protection while removing, sharpening, and installing the blade.

⚠ WARNING A worn, cracked, or damaged blade can break and pieces of the damaged blade can become dangerous projectiles. Thrown objects can cause serious injury. Inspect the blade regularly and do not operate the mower with a worn or damaged blade.

NOTICE: Keep the blade sharp for best mower performance. A dull blade does not cut grass cleanly or mulch properly.

A dull blade can be sharpened, but a blade that is excessively worn, bent, cracked, or otherwise damaged must be replaced. A worn or damaged blade can break, causing blade pieces to be thrown from the mower.

If the blades are found to be bent, take the lawn mower to an authorized SKIL service center for inspection.

Sharpening Frequency

Sharpening the blade twice during a mowing season is usually sufficient under normal circumstances. Sand causes the blade to dull quickly; if your lawn has sandy soil, more frequent sharpening may be required.

When Sharpening the Blade:

- Make sure that the blade remains balanced.
- Sharpen the blade at the original cutting angle.

- Sharpen the cutting edges on both ends of the blade, removing an equal amount of material from each end.

To Sharpen Blade in a Vise:

1. Remove the blade from the mower.
2. Secure the blade in a vise (Fig. 24).
3. Wear proper eye protection and gloves and be careful not to cut yourself.
4. Carefully file the cutting edges of the blade with a fine tooth file or sharpening stone, maintaining the original cutting edge angle.
5. To check the blade balance: clamp a nail or a screwdriver with a round shank in the horizontal position. Position the blade so that the nail or round shank of the screwdriver supports the blade through its center hole. Balance the blade horizontally. If either end of the blade rotates downward, remove some metal from the heavy or lower end until the blade is balanced. It is balanced when neither end drops (Fig. 25).

Fig. 24

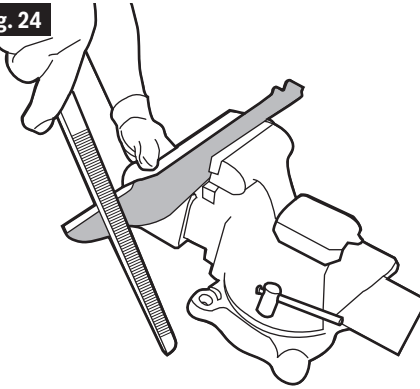
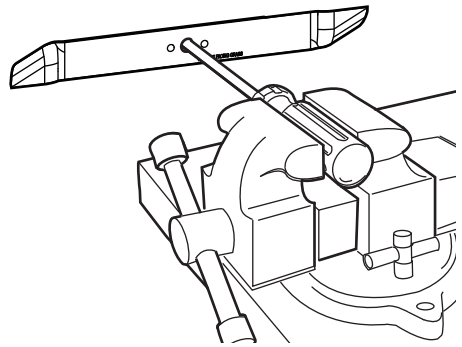


Fig. 25



6. Replace the blade on the mower and tighten it securely.

WARNING

An unbalanced blade will cause excessive vibration when rotating at high speed. It may cause damage to the mower and could break, causing personal injury.

Replacing the Wheels

⚠ WARNING Always remove the battery pack when servicing or transporting the mower.

1. Turn the mower on its side with the upper surface against a wall.
2. Use a flat blade screwdriver to pry the dust cover away from the wheel.
3. Use an adjustable or 1/2 inch (13mm) wrench to turn the bolt counterclockwise to loosen it.

For the front wheel (Fig. 26), and the rear wheel of the non-self-propel lawn mower (Fig. 27):

4. Remove the bolt, the worn wheel from the wheel axle.
5. Mount the new wheel on the wheel axle. Note that the round recess must face outward.
6. Lock the wheel with the bolt by tightening the bolt clockwise.
7. Mount the dust cover onto the wheel and press it in place.

Fig. 26

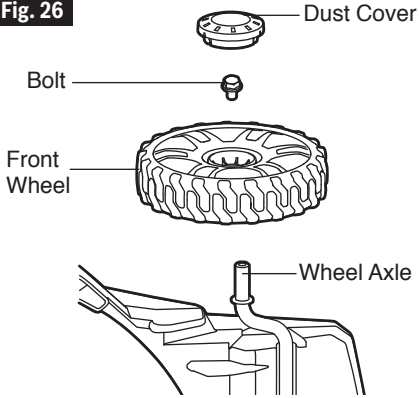
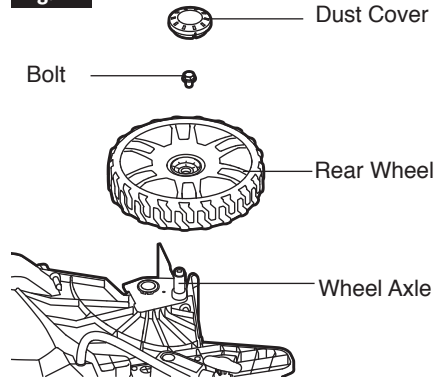
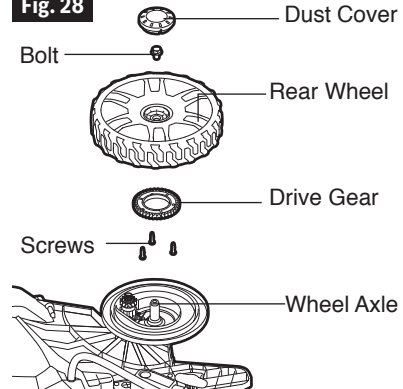


Fig. 27



For the rear wheel of the self-propel lawn mower (Fig. 28), remove the drive gear from the worn wheel and assemble it to the new wheel with the 3 screws.

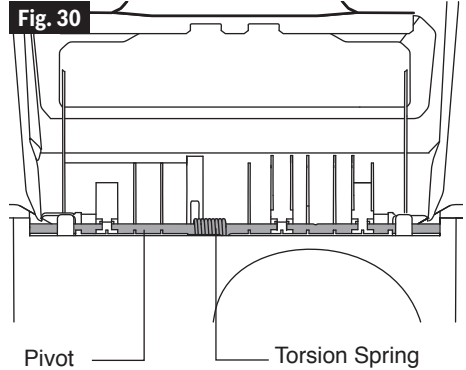
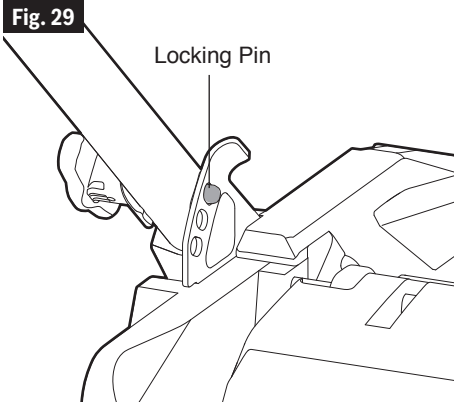
Fig. 28



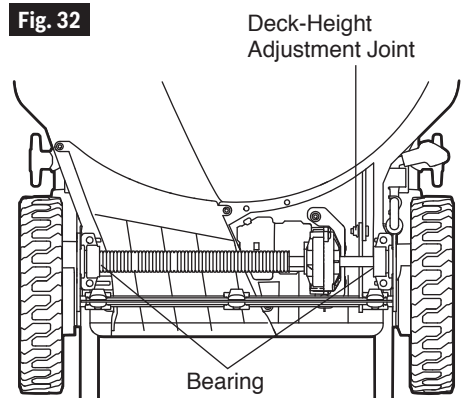
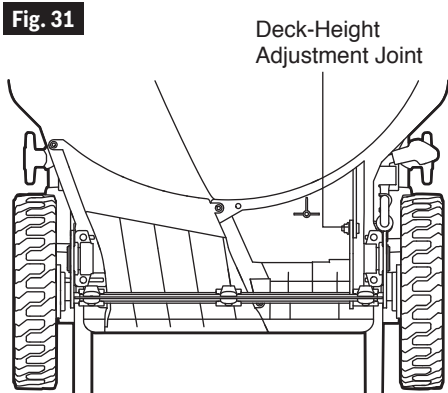
Lubrication

Lubricate with light oil as directed below at least once each season.

- Periodically lubricate the locking pin in the handle adjustment knob (Fig. 29), the torsion spring and pivot of the rear-discharge door (Fig. 30) with light oil to prevent rust.



- Lubricate the wheel center hole (or the wheel axle) with light oil when the wheel seems impeded during operation.
- Place the mower into the locked storage position and remove the battery:
 1. Move the cutting-height adjustment lever toward the front and engage it in the lowest setting.
 2. Open the handle-locking clamps and fully recess the side rails to the compact position.
 3. Turn the handle adjustment knob to release the handle.
 4. Gently pivot the handle toward the front of the mower; turn the handle adjustment knob to lock the handle in the locked storage position. Make sure that the lock pin has engaged in the locked storage position.
- Place the folded mower upright on the ground (Fig. 31 & 32).
 1. Lubricate the deck-height adjustment joint.
 2. For self-propel mower, lubricate the bearings on the drive shaft near the rear wheels (Fig. 32).



Replacing the Trailing Shield

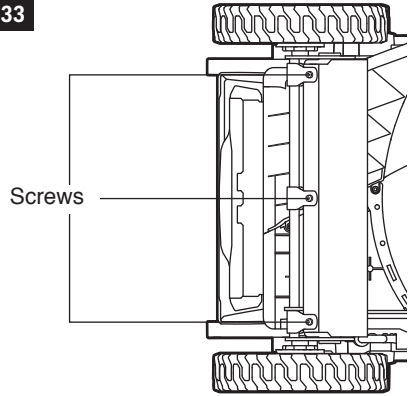
Fig. 33

⚠ WARNING Always remove the battery pack when servicing or transporting the mower.

⚠ WARNING Never operate the mower unless the trailing shield is in place and working. Never operate the mower with damaged safety devices. Failure to do so can result in personal injury.

The trailing shield is subject to wear and damage, which could expose moving parts or allow objects to be thrown. For safety protection, frequently check the trailing shield and replace it immediately with only the identical replacement part. Contact SKIL service center for support.

1. Remove the battery.
2. Turn the mower on its side with the upper surface against a wall.
3. Remove the three screws with a screwdriver, then remove the trailing shield (Fig. 33).
4. Replace with a new trailing shield.



Storing the Mower

The following steps should be taken in order to prepare the lawn mower for storage.

1. Remove the battery pack from the mower and store the battery pack at room temperature in a dry location.
2. Clean the mower as described earlier in the maintenance section.
3. Inspect the blade and replace it or sharpen it if required.
4. Lubricate the mower.
5. Store the mower in a dry, clean location. Do not store it next to corrosive materials, such as fertilizer or rock salt.
6. Store the mower in a covered, enclosed space, that is cool and dry and out of the reach of children.
7. Do not cover the lawn mower with a solid plastic sheet. Plastic coverings trap moisture around the mower, which causes rust and corrosion.

The handle assembly can be folded away completely for storage:

1. Remove the grass bag.
2. Move the cutting-height adjustment lever toward the front and engage it in the lowest setting.
3. Open the handle-locking clamps and fully recess the side rails to the compact position.
4. Gently pivot the handle toward the front of the mower; turn the handle adjustment knob to lock the handle in the locked storage position. Make sure that the lock pin has engaged in the locked storage position.

5. Store the mower upright or flat (Fig. 34a & 34b).

Fig. 34a

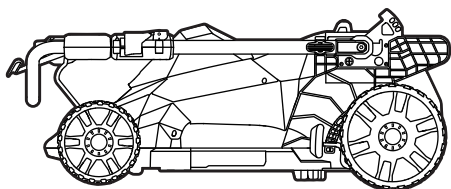
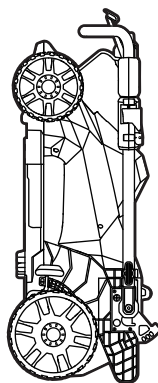


Fig. 34b



⚠ WARNING If the mower tips over from the upright position, mower damage or personal injury may result. Always keep the mower stable and out of the reach of children when it is in the upright position. If possible, lay it flat for storage.

TROUBLESHOOTING

Problem	Cause	Remedy
<p>The mower fails to start.</p>	<ol style="list-style-type: none"> 1. The battery pack is depleted. 2. The battery pack is not mounted in place in the battery compartment. 3. The battery or mower is too hot. 4. The side rails are not extended to their maximum length and the clamps are not locked in position. 5. The handle is not set at one of the three operating positions. 6. The mower deck is clogged with grass and debris. 	<ol style="list-style-type: none"> 1. Charge the battery pack. 2. Attach the battery pack to the mower; press it until you hear a click. 3. Turn off the mower and remove the battery pack from the mower. Allow the battery and the mower to cool down. 4. Fully extend the handle and lock both clamps. 5. Adjust the handle to one of the three operating positions. 6. Turn off the mower and remove the battery pack from the mower. Clean the mower deck and make certain that the blade has freedom of movement.
<p>The mower cuts unevenly.</p>	<ol style="list-style-type: none"> 1. The blade is dull. 2. The cutting height is not set properly. 3. The blade is assembled incorrectly. 	<ol style="list-style-type: none"> 1. Sharpen or replace the blade. 2. Move the deck height to a higher setting. 3. Reassemble the blade, following the section "INSTALLING THE BLADE" in this manual.

Problem	Cause	Remedy
The mower stops while mowing.	<ol style="list-style-type: none"> 1. The battery pack is depleted. 2. Mower is in overload condition. 3. Mower deck is clogged with grass and debris. 4. The battery or mower is too hot. 5. The side rail is retracted a little by the pushing force applying on the handle. 	<ol style="list-style-type: none"> 1. Charge the battery pack. 2. Raise the cutting height or slow down the mowing. 3. Turn off the mower and remove the battery pack from the mower. Unclog the mower deck. Raise the cutting height, or cut a narrow swath. 4. Turn off the mower and remove the battery pack from the mower. Allow the battery and the mower to cool down. 5. Unlock the clamps. Fully extend the side rails and lock the clamps again.
The mower does not mulch properly.	<ol style="list-style-type: none"> 1. Wet grass clippings are sticking to the underside of the deck. 2. The mower is set to cut too much grass at once. 	<ol style="list-style-type: none"> 1. Clear accumulated grass and wait until the grass dries before mowing. 2. Raise the deck to a higher cutting height setting.
There is excessive vibration.	<ol style="list-style-type: none"> 1. The cutting blade is loose. 2. The cutting blade is unbalanced. 3. The cutting blade is bent. 	<ol style="list-style-type: none"> 1. Tighten the blade bolt. 2. Balance the blade following the instructions. 3. Replace the blade.
The handle-locking clamps cannot be closed in position.	<ol style="list-style-type: none"> 1. The side rails are not fully extended. 	<ol style="list-style-type: none"> 1. Fully extend the side rails, then lock the clamps.
Mower is difficult to pull back when the self-propel is turned off.	<ol style="list-style-type: none"> 1. The wheels are temporarily locked. 	<ol style="list-style-type: none"> 1. Simply push ahead slightly and then move the mower as desired.
The motor works but the blade doesn't cut the grass.	<ol style="list-style-type: none"> 1. The blade is not tightened to the required torque. 	<ol style="list-style-type: none"> 1. Re-tighten the blade. The recommended torque for the blade bolt is 36-43 ft-lb (49-59Nm).
Short running time of the mower with included battery.	<ol style="list-style-type: none"> 1. Grass conditions and cutting height setting will greatly affect the battery run time. 	<ol style="list-style-type: none"> 1. Raise the blade height and slow your pace to reduce the cutting load.

LIMITED WARRANTY OF SKIL CONSUMER TOOLS

5 YEAR LIMITED WARRANTY- LEGAL

Chervon North America, Inc. ("Seller") warrants to the original purchaser only, that all SKIL consumer TOOLS will be free from defects in material or workmanship for a period of five years from date of purchase, if original purchaser registers the product within 30 days from purchase. BATTERIES AND CHARGERS are warranted for 2 years. Product registration can be completed online at www.Registermyskil.com. Original purchasers should also retain their receipt as proof of purchase. THE FIVE-YEAR WARRANTY PERIOD FOR TOOLS IS CONDITIONED ON REGISTRATION OF THE PRODUCT WITHIN 30 DAYS OF PURCHASE. If original purchasers do not register their product within 30 days of purchase, the foregoing limited warranty will apply for a duration of three years for tools. All batteries and chargers will remain under the two-year limited warranty.

Notwithstanding the foregoing, if a SKIL consumer tool is used for industrial, professional, or commercial purposes, the foregoing warranty will apply for a duration of ninety days, regardless of registration.

SELLER'S SOLE OBLIGATION AND YOUR EXCLUSIVE REMEDY under this Limited Warranty and, to the extent permitted by law, any warranty or condition implied by law, shall be the repair or replacement of parts, without charge, which are defective in material or workmanship and which have not been misused, carelessly handled, or repaired by persons other than Seller or Authorized Service Station. To make a claim under this Limited Warranty, you must return the complete product, transportation prepaid, to any SKIL Factory Service Center or Authorized Service Station. For Authorized SKIL Power Tool Service Stations, please visit www.Registermyskil.com or call 1-877-SKIL-999 (1-877-754-5999).

THIS WARRANTY DOES NOT COVER ROUTINE MAINTENANCE PARTS AND CONSUMABLES THAT CAN WEAR OUT FROM NORMAL USE WITHIN THE WARRANTY PERIOD, INCLUDING BLADES, TRIMMER HEADS, CHAIN BARS, SAW CHAINS, BELTS, SCRAPER BARS, AND BLOWER NOZZLES.

ANY IMPLIED WARRANTIES APPLICABLE TO A PRODUCT SHALL BE LIMITED IN DURATION EQUAL TO THE DURATION OF THE EXPRESS WARRANTIES APPLICABLE TO SUCH PRODUCT, AS SET FORTH IN THE FIRST PARAGRAPH ABOVE. SOME STATES IN THE U.S., SOME CANADIAN PROVINCES DO NOT ALLOW LIMITATIONS ON HOW LONG AN IMPLIED WARRANTY LASTS, SO THE ABOVE LIMITATION MAY NOT APPLY TO YOU.

THIS WARRANTY DOES NOT COVER THE DAMAGE RESULTING FROM MODIFICATION, ALTERATION, OR UNAUTHORIZED REPAIR.

IN NO EVENT SHALL SELLER BE LIABLE FOR ANY INCIDENTAL OR CONSEQUENTIAL DAMAGES (INCLUDING BUT NOT LIMITED TO LIABILITY FOR LOSS OF PROFITS) ARISING FROM THE SALE OR USE OF THIS PRODUCT. SOME STATES IN THE U.S. AND SOME CANADIAN PROVINCES DO NOT ALLOW THE EXCLUSION OR LIMITATION OF INCIDENTAL OR CONSEQUENTIAL DAMAGES, SO THE ABOVE LIMITATION OR EXCLUSION MAY NOT APPLY TO YOU.

THIS LIMITED WARRANTY GIVES YOU SPECIFIC LEGAL RIGHTS, AND YOU MAY ALSO HAVE OTHER RIGHTS WHICH VARY FROM STATE TO STATE IN THE U.S., PROVINCE TO PROVINCE IN CANADA AND FROM COUNTRY TO COUNTRY.

THIS LIMITED WARRANTY APPLIES ONLY TO PRODUCTS SOLD WITHIN THE UNITED STATES OF AMERICA, CANADA AND THE COMMONWEALTH OF PUERTO RICO. FOR WARRANTY COVERAGE WITHIN OTHER COUNTRIES, CONTACT YOUR LOCAL SKIL DEALER OR IMPORTER.

TABLE DES MATIÈRES

Consignes de sécurité pour la tondeuse à gazon sans fil	36-40
Symboles	41-44
Familiarisez-vous avec votre tondeuse à gazon	45
Caractéristiques techniques	46
Accessoire	46-47
Assemblage	48-51
Instructions d'utilisation	52-57
Entretien	58-65
Dépannage	66-68
Garantie limitée de l'outil SKIL	69

⚠ AVERTISSEMENT

- La poussière créée pendant le ponçage, le sciage, le polissage, le perçage et d'autres activités liées à la construction peut contenir des produits chimiques reconnus par l'État de la Californie comme étant la cause de cancer, d'anomalies congénitales et d'autres problèmes liés aux fonctions reproductrices. Voici des exemples de ces produits chimiques :
 - Du plomb provenant de peintures à base de plomb;
 - De la silice cristalline provenant de la brique, du ciment ou d'autres matériaux de maçonneries;
 - De l'arsenic et du chrome provenant du bois d'œuvre traité avec un produit chimique.
- Les risques liés à l'exposition à ces produits varient selon le nombre de fois où vous pratiquez ces activités. Pour réduire votre exposition à ces produits chimiques :
 - Travaillez dans un endroit bien ventilé;
 - Munissez-vous de l'équipement de sécurité approuvé tel que des masques antipoussières conçus spécialement pour filtrer les particules microscopiques;
 - Évitez l'exposition prolongée à la poussière causée par le ponçage mécanique, le sciage, le polissage, le perçage et d'autres activités liées à la construction; Portez un équipement de protection et lavez à l'eau et au savon toutes les parties exposées. Les poussières pénétrant dans votre bouche ou dans vos yeux et les poussières se déposant sur votre peau peuvent causer l'absorption de produits chimiques dangereux.

CONSIGNES DE SÉCURITÉ POUR LA TONDEUSE À GAZON SANS FIL

⚠ DANGER Cette machine a été conçue pour être utilisée conformément aux consignes de sécurité contenues dans ce manuel. Comme pour tout type d'équipement motorisé, toute négligence ou erreur de la part de l'opérateur peut entraîner des blessures graves. Cette machine est capable d'amputer les mains et les pieds et de projeter des objets. Le non-respect des consignes de sécurité peut causer des blessures graves voire la mort.

⚠ AVERTISSEMENT Lors de l'utilisation d'une tondeuse à gazon électrique, des précautions de sécurité de base doivent toujours être prises pour réduire les risques d'incendie, de choc électrique et de blessures. Ces précautions de base sont notamment les suivantes :

Enfants

Des accidents tragiques peuvent se produire si l'opérateur ne prête pas attention à la présence d'enfants.

Les enfants sont souvent attirés par la tondeuse et l'activité de tonte. Ils ne comprennent pas les dangers. Ne présumez jamais que les enfants resteront là où vous les avez vus pour la dernière fois.

- Tenez les enfants hors de la zone de tonte et sous la surveillance d'un adulte responsable autre que l'opérateur.
- Faites preuve de vigilance et arrêtez la tondeuse si un enfant entre dans la zone.
- Redoublez de vigilance lorsque vous vous approchez d'un coin sans visibilité, d'une porte, d'un arbuste, d'un arbre ou de tout autre objet susceptible de vous empêcher de voir un enfant pouvant heurter la tondeuse.
- Ne permettez jamais à des enfants de moins de 14 ans d'utiliser une tondeuse électrique. Les enfants de 14 ans et plus doivent lire et comprendre les instructions d'utilisation et les règles de sécurité contenues dans ce manuel et doivent être formés et supervisés par un parent. Seules les personnes responsables et familiarisées avec ces règles de sécurité doivent être autorisées à utiliser cette machine.

UTILISATION

Généralités concernant l'utilisation :

- Lisez attentivement ce manuel d'utilisation dans son intégralité avant d'essayer d'assembler cette machine. Lisez, comprenez et suivez toutes les instructions présentes sur la machine et dans les manuels avant de l'utiliser. Familiarisez-vous complètement avec les commandes et l'usage correct de cette machine avant de l'utiliser. Conservez ce manuel dans un endroit sûr pour pouvoir le consulter ultérieurement et régulièrement.
- Utilisez l'appareil approprié – N'utilisez pas la tondeuse à gazon pour d'autres travaux que ceux auxquels elle est destinée. Votre tondeuse à gazon a été conçue pour n'effectuer qu'une seule tâche : tondre l'herbe.
- Ne vous penchez pas de manière excessive – Veillez à garder un bon équilibre et un appui stable, à tout moment.
- Les objets heurtés par la lame de la tondeuse à gazon peuvent provoquer des blessures graves. La pelouse doit toujours être soigneusement examinée et débarrassée de tout objet avant chaque tonte.
- Tenez toute personne à l'écart de la zone à tondre, en particulier les enfants en bas âge et les animaux de compagnie.
- Avant de reculer avec la tondeuse, et pendant que vous reculez, regardez derrière vous et vers le bas et assurez-vous qu'aucun enfant en bas âge ni aucune personne ne s'y trouve.
- Restez toujours à l'écart de l'ouverture d'évacuation.

- Cette machine est un équipement électrique d'une grande précision, et non un jouet. Par conséquent, faites preuve d'une grande prudence, à tout moment. Votre tondeuse à gazon a été conçue pour n'effectuer qu'une seule tâche : tondre l'herbe. Ne l'utilisez pas à d'autres fins.
- Ne faites pas forcer la tondeuse à gazon – Elle sera plus efficace et plus sûre si vous la faites fonctionner à la vitesse pour laquelle elle a été conçue.
- Inspectez soigneusement la zone où l'équipement doit être utilisé. Enlevez tous les cailloux, bâtons, fils, jouets et autres corps étrangers qui pourraient vous faire trébucher ou être ramassés et projetés par la lame. Les objets projetés peuvent causer des blessures graves.
- Planifiez votre trajet de tonte de manière à éviter toute projection de débris sur les routes, trottoirs, chemins empruntés par des passants, etc. De plus, évitez de projeter les débris de tonte contre des murs ou des obstructions, ce qui pourrait faire ricocher l'herbe projetée en direction de l'opérateur.
- Pour éviter tout contact avec la lame ou toute blessure par projection d'objets, restez dans la zone prévue pour l'opérateur derrière les poignées et tenez les enfants, les passants, les personnes vous prêtant assistance et les animaux domestiques à minimum 30 m (100 pi) de la tondeuse lorsqu'elle est en marche. Arrêtez la machine si quelqu'un entre dans la zone.
- Portez toujours des lunettes de sécurité ou des lunettes de protection pendant l'utilisation et lors d'un réglage ou d'une réparation pour protéger vos yeux. Les objets projetés qui ricochent peuvent causer de graves blessures aux yeux. Portez toujours un masque facial ou un masque anti-poussière si l'opération soulève de la poussière.
- Habillez-vous de manière appropriée – Ne portez pas de bijoux ou de vêtements amples. Ils risqueraient d'être happés par des pièces mobiles. Il est recommandé de porter des gants et des chaussures en caoutchouc pour travailler à l'extérieur. Portez des chaussures de travail solides à semelle épaisse ainsi qu'un pantalon et une chemise proches du corps. Il est recommandé de porter une chemise et un pantalon couvrant entièrement les bras et les jambes ainsi que des chaussures à embouts d'acier. N'utilisez jamais cette machine pieds nus ou en portant des sandales, des chaussures glissantes ou légères (par ex. en toile).
- Ne placez pas les mains ou les pieds près des pièces en rotation ou sous le plateau de coupe. Le contact avec la lame peut amputer les mains et les pieds.
- Une trappe d'évacuation manquante ou endommagée peut provoquer un contact avec la lame ou des blessures par projection d'objets.
- De nombreuses blessures surviennent lorsque la tondeuse est tirée par-dessus le pied lors d'une chute causée en glissant ou en trébuchant. Ne vous tenez pas à la tondeuse si vous chutez ; relâchez immédiatement la poignée.
- Ne tirez jamais la tondeuse vers vous lorsque vous marchez. Si vous devez reculer la tondeuse pour vous écarter d'un mur ou d'un obstacle, regardez d'abord vers le bas et derrière vous pour éviter de trébucher, puis suivez ces étapes :
 - Reculez par rapport à la tondeuse de sorte à étendre complètement vos bras.
 - Assurez-vous que vous avez un bon équilibre et une position stable.
 - Tirez la tondeuse lentement vers l'arrière, au maximum à mi-chemin vers vous.
 - Répétez ces étapes au besoin.
- N'utilisez pas la tondeuse sous l'influence de l'alcool ou de drogues.
- Restez sur vos gardes – faites attention à ce que vous faites. Faites preuve de bon sens. N'utilisez pas la tondeuse dans un état de fatigue.
- La poignée de commande du moteur/de la lame est un dispositif de sécurité. N'essayez jamais de contourner son fonctionnement. Cela rendrait le dispositif de sécurité inopérant et pourrait entraîner des blessures corporelles en cas de contact avec la lame en rotation. La poignée de commande du moteur/de la lame doit pouvoir fonctionner aisément dans les deux sens et revenir automatiquement en position désengagée lorsqu'elle est relâchée.

- Évitez les environnements dangereux – N'utilisez pas votre tondeuse à gazon dans des endroits humides ou mouillés afin d'éviter de glisser et de chuter pendant l'utilisation.
- Prenez toujours garde à maintenir une position stable. Vous pourriez vous blesser gravement en glissant et en chutant. Si vous sentez que vous perdez pied, relâchez immédiatement la poignée de commande du moteur/de la lame et la lame s'arrêtera de tourner dans les trois secondes.
- Ne tondez qu'à la lumière du jour ou sous une bonne lumière artificielle. Marchez, ne courez jamais pendant l'utilisation.
- Arrêtez la lame lorsque vous traversez des allées recouvertes de gravier, des chemins ou des routes.
- Si l'équipement se met à vibrer anormalement, arrêtez immédiatement le moteur, retirez la pile et recherchez la cause du problème. Les vibrations indiquent généralement un problème.
- N'utilisez jamais la tondeuse sans la protection arrière, le trappe d'évacuation, le sac collecteur, l'accessoire de déchiquetage, le conduit d'éjection latéral, la poignée de commande du moteur/de la lame ou tout autre dispositif de sécurité approprié en place et en état de fonctionner. N'utilisez jamais la tondeuse si des dispositifs de sécurité sont endommagés. Le non-respect de cette consigne peut causer des blessures.
- Arrêtez toujours le moteur avant d'effectuer des réglages sur une roue ou un réglage de la hauteur de coupe.
- Faites preuve de prudence et de bon sens lors de toute situation qui n'est pas abordée dans ce manuel. Communiquez avec le service à la clientèle de SKIL pour obtenir de l'aide.
- Utilisez uniquement le chargeur fourni par le fabricant pour recharger la pile.
- Ne chargez pas le bloc-piles à l'extérieur.
- Ne chargez pas le bloc-piles sous la pluie ou dans des environnements humides.
- Utilisez la tondeuse à gazon seulement avec le bloc-piles conçu spécifiquement pour celle-ci. L'emploi de toute autre pile peut entraîner un risque d'incendie.
- N'utilisez l'appareil qu'avec les blocs-piles et les chargeurs indiqués ci-dessous :

Pile	Chargeur
BY8705-00 BY8708-00	SC5364-00 SC5376C-00

Utilisation en pente :

Les pentes sont un facteur majeur d'accidents de glissade et de chute pouvant causer des blessures graves. L'utilisation en pente exige de redoubler de prudence. Si vous vous sentez mal à l'aise sur une pente, ne la tondez pas. Pour votre sécurité, utilisez le guide d'inclinaison présent dans ce manuel pour mesurer les pentes avant d'utiliser cet appareil sur une pente ou une zone vallonnée. Si la pente est supérieure à 15 degrés, ne la tondez pas.

Faites ce qui suit :

- Tondez sur le flanc des pentes, jamais vers le haut ou le bas. Faites preuve d'une grande prudence lorsque vous changez de direction sur les pentes.
- Prenez garde aux trous, ornières, pierres, objets cachés ou bosses qui peuvent vous faire glisser ou trébucher. L'herbe haute peut cacher des obstacles.

Ne faites pas ce qui suit :

- Ne tondez pas près des dénivelés à pic, des fossés ou des talus, car vous risqueriez de perdre pied ou de perdre l'équilibre.
- Ne tondez pas les pentes de plus de 15 degrés, comme indiqué sur le guide d'inclinaison.
- Ne tondez pas de l'herbe humide. Vous risqueriez de glisser.

Entretien

⚠ AVERTISSEMENT

Les composants du sac collecteur, la trappe d'évacuation, le conduit d'éjection latéral, l'accessoire de déchiquetage et la protection arrière sont sujets à l'usure et aux dommages, ce qui pourrait exposer les pièces mobiles ou permettre la projection d'objets et présenter un risque de blessure accru. Pour des raisons de sécurité, vérifiez fréquemment tous les composants et remplacez immédiatement les composants endommagés par des pièces de rechange identiques. Communiquez avec le service à la clientèle de SKIL pour obtenir de l'aide.

- Retirez ou déconnectez le bloc-piles avant d'entretenir, de nettoyer ou de retirer des végétaux de la tondeuse.
- Ne lavez pas la tondeuse avec un tuyau d'arrosage ; évitez de faire entrer de l'eau dans le moteur et les connexions électriques.
- Avant de nettoyer la machine, arrêtez le moteur et attendez l'arrêt complet de la lame, puis retirez le bloc-piles. La lame de coupe continue à tourner pendant quelques secondes après l'arrêt du moteur. Ne placez jamais aucune partie du corps dans la zone de la lame sans avoir contrôlé avec certitude que la lame s'est arrêtée de tourner. Débouchez ensuite le conduit d'éjection ou enlevez ou remplacez le sac collecteur ou l'accessoire de déchiquetage.
- Suivez les instructions lors de la lubrification et du changement d'accessoires.
- Gardez les poignées sèches, propres et exemptes d'huile et de graisse.
- Pour réduire les risques d'incendie, ne laissez pas l'herbe, les feuilles et les débris s'accumuler sur le capot du moteur.
- Contrôlez régulièrement le serrage des boulons de fixation de la lame et du moteur. De plus, inspectez visuellement la lame pour vous assurer qu'elle n'est pas endommagée (par ex., tordue, fissurée et usée). Remplacez la lame uniquement par une lame de rechange identique.
- Entretenez votre tondeuse avec soin – veillez à ce que la lame de la tondeuse soit propre et affûtée pour des performances optimales et une plus grande sécurité. La lame de la tondeuse est tranchante et peut blesser. Enveloppez la lame ou portez des gants et redoublez de vigilance en l'entretenant.
- Vérifiez que tous les écrous, boulons et vis restent serrés pour vous assurer que l'équipement est sûr et en bon état de fonctionnement.
- Ne retirez jamais ou n'altérez jamais les dispositifs de sécurité. Contrôlez régulièrement leur bon fonctionnement. Ne faites jamais quoi que ce soit qui interfère avec le fonctionnement prévu d'un dispositif de sécurité ou qui réduise la protection fournie par un dispositif de sécurité.
- Après avoir heurté un corps étranger, arrêtez le moteur, retirez le bloc-piles, attendez que la lame ait cessé de tourner et inspectez soigneusement la tondeuse pour détecter tout dommage. Réparez les dommages avant d'utiliser la tondeuse
- Retirez la pile et rangez la tondeuse à gazon hors tension dans un endroit couvert lorsqu'elle n'est pas utilisée. Laissez refroidir le moteur avant de ranger l'appareil dans un espace confiné. La tondeuse à gazon doit être entreposée dans un endroit sec, en hauteur ou verrouillé, hors de portée des enfants.
- Entretenez ou remplacez les étiquettes de sécurité et d'instructions, si nécessaire.
- N'incinerez pas l'appareil même s'il est gravement endommagé. Les piles peuvent exploser lorsqu'elles sont exposées aux flammes.
- N'exposez pas un bloc-piles ou l'outil au feu ou à une température excessive. L'exposition au feu ou une température supérieure à 100 °C (212 °F) peut provoquer une explosion.

- Lors de toute réparation, n'utilisez que des pièces de rechange identiques. L'utilisation de pièces qui ne répondent pas aux spécifications de l'équipement d'origine peut affecter les performances et compromettre la sécurité.
- **CONSERVEZ CES INSTRUCTIONS.** Consultez-les fréquemment et utilisez-les pour donner les instructions nécessaires à d'autres personnes qui peuvent utiliser cet outil. Si vous prêtez cet outil à quelqu'un d'autre, prêtez-lui aussi ces instructions afin de prévenir un emploi non conforme du produit et tout risque de blessures.





CONSERVEZ CES INSTRUCTIONS!

SYMBOLES

Symboles de sécurité

L'objectif des symboles de sécurité est d'attirer votre attention sur les dangers potentiels. Vous devez examiner attentivement et bien comprendre les symboles de sécurité et les explications qui les accompagnent. Les symboles d'avertissement en tant que tels n'éliminent pas le danger. Les consignes et les avertissements qui y sont associés ne remplacent en aucun cas les mesures préventives adéquates.

⚠ AVERTISSEMENT Assurez-vous de lire et de comprendre toutes les consignes de sécurité présentées dans le présent guide d'utilisation, notamment toutes les consignes de sécurité indiquées par « **DANGER** », « **AVERTISSEMENT** » et « **ATTENTION** » avant d'utiliser cet outil. Le fait de ne pas respecter toutes les consignes de sécurité ci-dessous peut causer un choc électrique, un incendie ou des blessures graves.

Les définitions ci-dessous décrivent le degré de gravité pour chaque mot-indicateur. Veuillez lire ce guide et prêter attention à ces symboles.	
	Voici le pictogramme d'alerte de sécurité. Il sert à vous indiquer les risques potentiels de blessures. Respectez toutes les consignes de sécurité associées à ce pictogramme pour éviter les risques de blessures ou de mort.
	DANGER indique un danger imminent qui, s'il n'est pas évité, causera des blessures graves ou la mort.
	AVERTISSEMENT indique un risque pouvant entraîner des blessures graves ou la mort s'il n'est pas prévenu.
	ATTENTION, utilisée avec le symbole d'alerte de sécurité, indique un risque potentiel qui, s'il n'est pas éliminé, provoquera des blessures mineures ou moyennement graves.

Messages d'information et de prévention des dommages

Ces messages contiennent des renseignements importants à l'intention de l'utilisateur ainsi que des consignes à respecter. Le non-respect de celles-ci peut occasionner des dommages à l'équipement ou d'autres dommages matériels. Chaque message est précédé du mot « AVIS », comme dans l'exemple ci-dessous :




AVIS : Ne pas suivre ces consignes pourrait occasionner des dommages à l'équipement ou d'autres dommages matériels.









⚠ AVERTISSEMENT L'utilisation de tout outil électrique peut entraîner la projection de corps étrangers dans les yeux et ainsi causer des lésions oculaires graves. Lorsque vous utilisez un outil électrique, portez toujours des lunettes de sécurité pourvues d'écrans latéraux et d'un écran facial panoramique, au besoin. Nous recommandons le port d'un masque de sécurité panoramique par-dessus les lunettes ou de lunettes de sécurité standard avec écrans latéraux. Portez toujours des protecteurs oculaires conformes à la norme ANSI Z87.1.

SYMBOLES (SUITE)








IMPORTANT : Les symboles suivants peuvent figurer sur votre outil. Familiarisez-vous avec eux et apprenez leur signification. En comprenant ces symboles, vous serez en mesure de faire fonctionner cet outil de façon adéquate et sécuritaire.

Symbole	Nom	Forme au long et explication
V	Volts	Tension (possible)
A	Ampère	Courant
Hz	Hertz	Fréquence (cycles par seconde)
W	Watt	Puissance
kg	Kilogrammes	Poids
min	Minutes	Durée
s	Secondes	Durée
Wh	Watheures	Capacité de la pile
Ah	Ampères-heures	Capacité de la pile
∅	Diamètre	Taille des forets, des meules, etc.
n_0	Vitesse à vide	Vitesse de rotation à vide
n	Vitesse nominale	Vitesse maximale atteignable
.../min	Tours ou va-et-vient par minute	Tours, coups, vitesse périphérique, orbites, etc., par minute
IPX4	Degré de protection contre l'intrusion	Protection contre les projections d'eau
➔	Flèche	L'activation se fait dans le sens de la flèche
~	Courant alternatif	Type de courant ou caractéristique de courant
— — —	Courant continu	Type de courant ou caractéristique de courant
	Maintenez les dispositifs de sécurité en place	N'ouvrez pas et ne retirez pas les protections de sécurité lorsque l'outil est en marche.
	Regardez derrière vous en reculant	Regardez d'abord vers le bas et vers l'arrière pour éviter de trébucher lorsque vous reculez.
	DANGER - Tenez les personnes présentes à l'écart	Ne tondez pas lorsque des enfants ou d'autres personnes se trouvent à proximité.

Symbole	Nom	Forme au long et explication
	<p>DANGER - Tenez les mains et les pieds à l'écart</p>	<p>Pour réduire les risques de blessures, tenez les mains et les pieds à l'écart des pièces en rotation. Ne faites pas fonctionner l'appareil si la trappe d'évacuation ou le sac collecteur n'est pas correctement en place. Si un élément est endommagé, remplacez-le immédiatement.</p>
	<p>DANGER – Débris projetés</p>	<p>Retirez les objets qui peuvent être projetés par la lame dans n'importe quelle direction. Portez des lunettes de sécurité.</p>
	<p>DANGER – Risque sur pente raide</p>	<p>Faites preuve d'une grande prudence sur les pentes. Ne tondez pas les pentes de plus de 15 degrés.</p>
	<p>Sceau du programme de recyclage des piles au lithium-ion</p>	<p>Désigne le programme de recyclage des piles au lithium-ion</p>
	<p>Symbole de lecture du manuel</p>	<p>Invite l'utilisateur à lire le manuel</p>
	<p>Symbole du port de lunettes de sécurité</p>	<p>Portez toujours des lunettes de protection ou des lunettes de sécurité avec écrans latéraux et un écran facial intégral lors de l'utilisation de ce produit.</p>

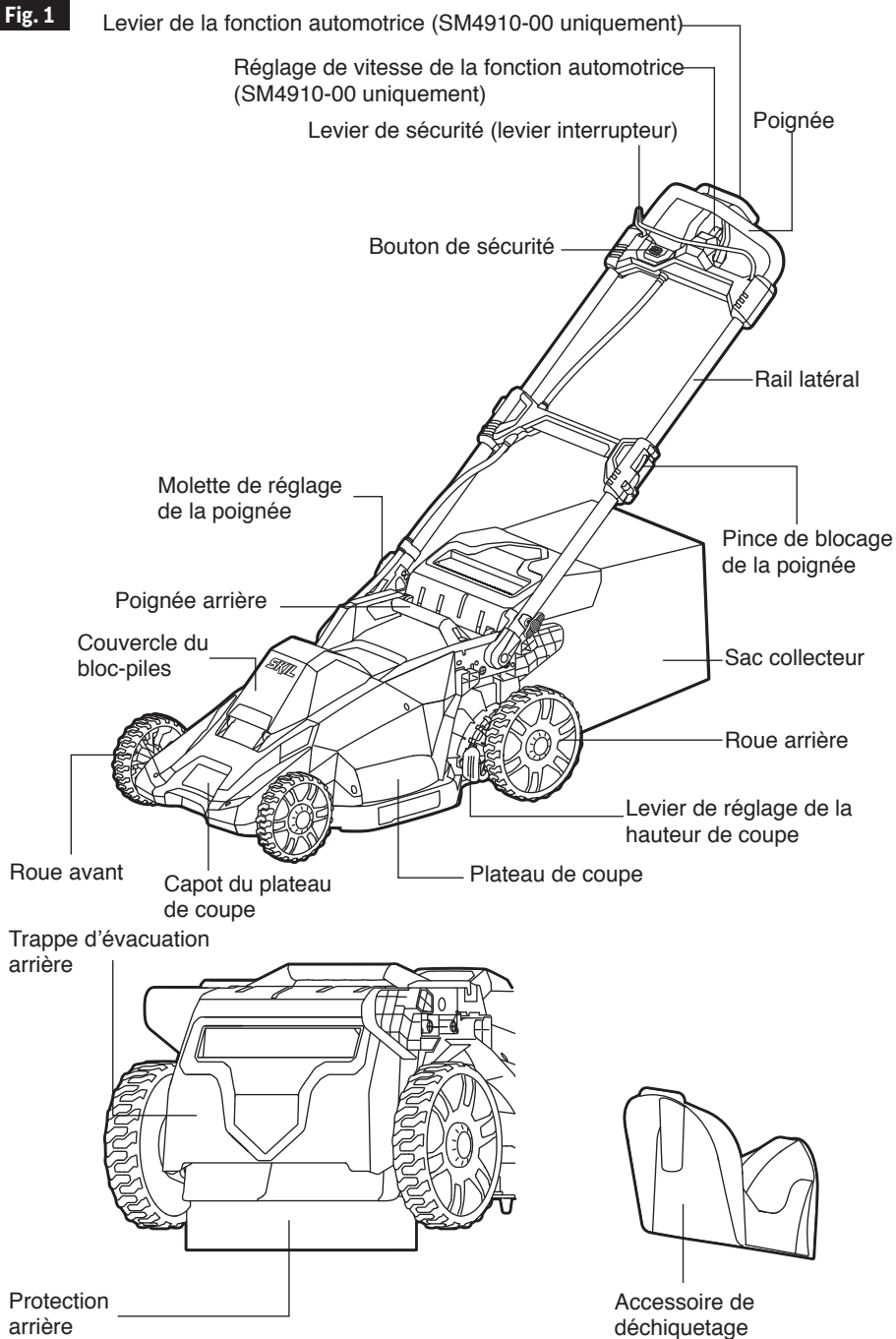
SYMBOLES (RENSEIGNEMENTS EN MATIÈRE D'HOMOLOGATION)

IMPORTANT: Certains des symboles suivants, qui fournissent des renseignements en matière d'homologation, peuvent figurer sur l'outil. Familiarisez-vous avec eux et apprenez leur signification. En comprenant ces symboles, vous serez en mesure de faire fonctionner cet outil de façon adéquate et sécuritaire.

Symbole	Forme au long et explication
	Ce symbole indique que cet outil est répertorié par Underwriters Laboratories.
	Ce symbole indique que cet composant est reconnu par Underwriters Laboratories.
	Ce symbole indique que cet outil est répertorié par Underwriters Laboratories, selon les normes américaines et canadiennes.
	Ce symbole indique que cet outil est répertorié par l'Association canadienne de normalisation.
	Ce symbole indique que cet outil est répertorié par l'Association canadienne de normalisation et qu'il est conforme aux normes américaines et canadiennes.
	Ce symbole indique que cet outil est répertorié par Intertek Testing et qu'il est conforme aux normes américaines et canadiennes.
	Ce symbole indique que cet outil est conforme aux normes mexicaines officielles (NOM).

FAMILIARISEZ-VOUS AVEC VOTRE TONDEUSE À GAZON

Fig. 1



CARACTÉRISTIQUES TECHNIQUES

Modèle N°	PM4910-00	SM4910-00
Système automoteur	Non	Oui
Tension nominale	40 V C.C.	
Vitesse à vide	2600 tr/min	
Hauteur de coupe	1-1/2 po ~ 4 po	
Positions de hauteur de coupe	7 réglages	
Taille du plateau	510 mm (20 po)	
Volume du sac collecteur	1,7 boisseau (60 L)	
Température de fonctionnement recommandée	0~40 °C (32~104 °F)	
Température d'entreposage recommandée	0~40 °C (32~104 °F)	

ACCESSOIRE

⚠ AVERTISSEMENT La pièce suivante est soumise à une usure due à une utilisation normale. N'utilisez que les pièces de rechange identiques énumérées ci-dessous. L'utilisation de pièces qui ne répondent pas aux spécifications de l'équipement d'origine peut affecter les performances et compromettre la sécurité.

Désignation de la pièce	Numéro de modèle
Lame de tondeuse à gazon de 50,8 cm (20 po)	SMB2000

Bouton de sécurité

Le bouton de sécurité doit être enfoncé avant de pouvoir démarrer le moteur.

Levier de sécurité

Le levier de sécurité se trouve sur le guidon supérieur de la tondeuse. Le levier engage et désengage le moteur/la lame.

⚠ AVERTISSEMENT Le levier de sécurité et le bouton de sécurité sont des dispositifs de sécurité. N'essayez jamais de contourner leur fonctionnement.

Levier de la fonction automotrice (modèle SM4910-00 seulement)

Active et désactive la fonction automotrice.

Réglage de vitesse de la fonction automotrice (modèle SM4910-00 uniquement)

Augmente ou diminue la vitesse de la fonction automotrice en tournant la molette de réglage.

Pince de blocage de la poignée

Verrouille/déverrouille les rails latéraux en position déployée ou rétractée.

Rails latéraux

Peuvent être déployés et verrouillés pour le fonctionnement ou rétractés pour l'entreposage.

Molette de réglage de la poignée

Verrouille/déverrouille la position de la poignée lors du réglage de l'angle de la poignée de la tondeuse :

1. Position d'entreposage verrouillée
2. Position d'utilisation supérieure
3. Position d'utilisation intermédiaire
4. Position d'utilisation inférieure

Protection arrière et trappe d'évacuation arrière

La protection arrière est conçue pour réduire le risque de projection vers l'arrière des pierres ou autres objets par la lame de la tondeuse. La protection arrière et la trappe d'évacuation arrière réduisent autant que possible le risque de contact accidentel du pied avec la lame. N'utilisez PAS la tondeuse si la protection arrière et la trappe d'évacuation arrière ne sont pas en place.

Levier de réglage de la hauteur de coupe à ressort

Réglage de la hauteur de coupe d'une seule main.

ASSEMBLAGE

⚠ AVERTISSEMENT Pour éviter tout démarrage accidentel pouvant entraîner des blessures graves, détachez toujours le bloc-piles de l'outil lors de l'assemblage des pièces, de la réalisation de réglages, des opérations de nettoyage ou lorsque l'outil n'est pas utilisé.

⚠ AVERTISSEMENT N'essayez pas de modifier cet outil ou de créer des accessoires non recommandés pour cet outil. Toute modification ou transformation de ce type constitue un usage abusif et pourrait provoquer une situation dangereuse susceptible d'entraîner des blessures graves.

⚠ AVERTISSEMENT N'utilisez pas d'accessoire non recommandé par le fabricant de ce produit. L'utilisation d'accessoires non recommandés peut entraîner des blessures graves.

Déballage

- Retirez d'abord tous les accessoires de l'emballage, puis saisissez simultanément la partie avant du capot du plateau de coupe et la poignée arrière et soulevez prudemment la tondeuse pour la sortir de l'emballage.
- Inspectez soigneusement le produit pour vous assurer qu'il n'a pas été cassé ou endommagé pendant le transport.
- Ne jetez pas l'emballage tant que vous n'avez pas soigneusement inspecté et utilisé la tondeuse de manière satisfaisante.
- Si des pièces sont endommagées ou manquantes, veuillez retourner la tondeuse au lieu d'achat.

Assemblage du sac collecteur

1. Avant l'assemblage, contrôlez le sac collecteur pour vous assurer qu'il n'est pas endommagé.
2. Retirez le tube de protection en caoutchouc pour les crochets du sac à herbe (Fig. 2).
3. Faites glisser le sac collecteur sur le cadre (Fig. 2).
4. Assemblez les clips supérieurs sur le cadre (Fig. 3), puis assemblez les deux clips latéraux. Assemblez le clip inférieur en dernier.
5. La Fig. 4 montre le sac collecteur complètement assemblé.

Fig. 2

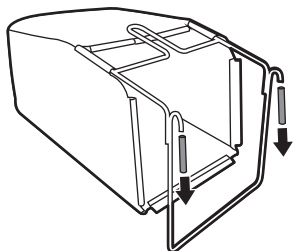


Fig. 3

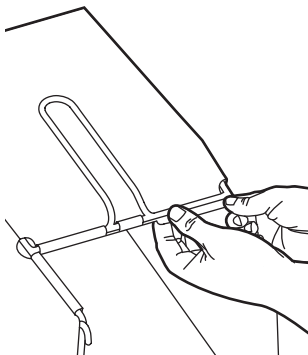
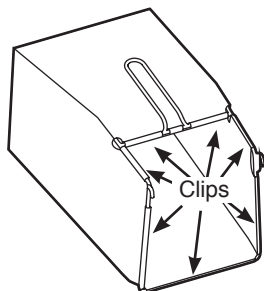


Fig. 4

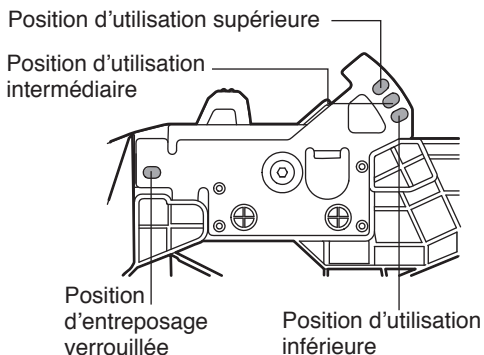
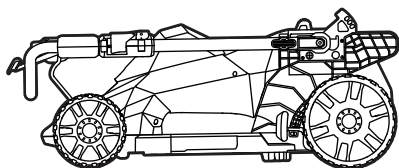


Réglage de la poignée pliable

AVERTISSEMENT Ne tentez pas de démarrer la tondeuse tant que la poignée n'a pas été verrouillée dans l'une des trois positions de fonctionnement préréglées.

1. **Position d'entreposage verrouillée** : Votre tondeuse est livrée avec la poignée en position compacte et verrouillée (Fig. 5).

Fig. 5



2. **Position d'utilisation supérieure** : Tournez les deux molettes de réglage de la poignée en position déverrouillée (Fig. 6). Soulevez la poignée d'une main, puis faites pivoter doucement la poignée vers l'arrière jusqu'à la position d'utilisation supérieure. Tournez les deux molettes de réglage de la poignée en position verrouillée (Fig. 6) et vérifiez que la goupille de verrouillage est engagée en position d'utilisation supérieure. Ouvrez les deux pinces de verrouillage de la poignée et déployez complètement les rails latéraux (Fig. 7). Fermez correctement les deux pinces de verrouillage de la poignée (Fig. 8). Les utilisateurs de grande taille peuvent préférer cette position.

Fig. 6

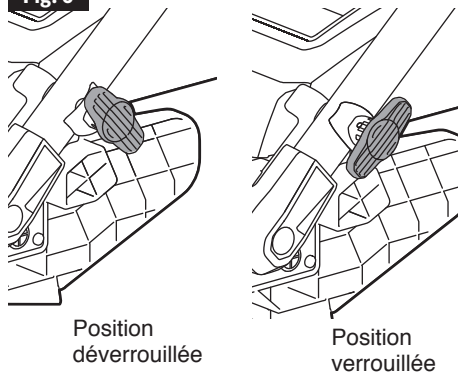


Fig. 7

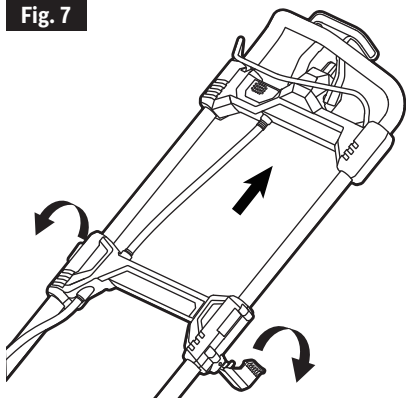
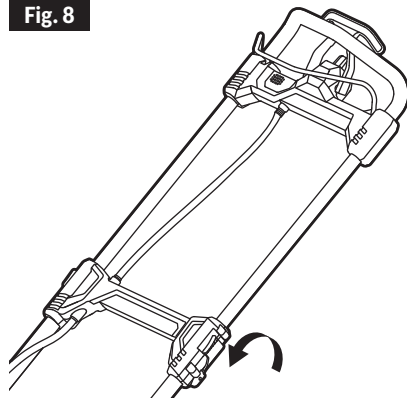


Fig. 8



3. **Position d'utilisation intermédiaire** : Tournez les deux molettes de réglage de la poignée en position déverrouillée. Faites pivoter doucement la poignée vers le bas jusqu'à la position d'utilisation intermédiaire. Tournez les deux molettes de réglage de la poignée en position verrouillée et vérifiez que la goupille de verrouillage est engagée en position d'utilisation intermédiaire. Ouvrez les deux pinces de verrouillage de la poignée et déployez complètement les rails latéraux. Fermez correctement les deux pinces de verrouillage de la poignée.
4. **Position d'utilisation inférieure** : Tournez les deux molettes de réglage de la poignée en position déverrouillée. Faites pivoter doucement la poignée vers le bas jusqu'à la position d'utilisation inférieure. Tournez les deux molettes de réglage de la poignée en position verrouillée et vérifiez que la goupille de verrouillage est engagée en position d'utilisation inférieure. Ouvrez les deux pinces de verrouillage de la poignée et déployez complètement les rails latéraux. Fermez correctement les deux pinces de verrouillage de la poignée.

REMARQUE : Le moteur ne peut être démarré que si :

- a) Les rails latéraux sont complètement déployés.
- b) Les deux pinces de verrouillage de la poignée sont bien fermées.
- c) La poignée est verrouillée dans l'une des trois positions de fonctionnement.

Attacher/retirer le sac collecteur

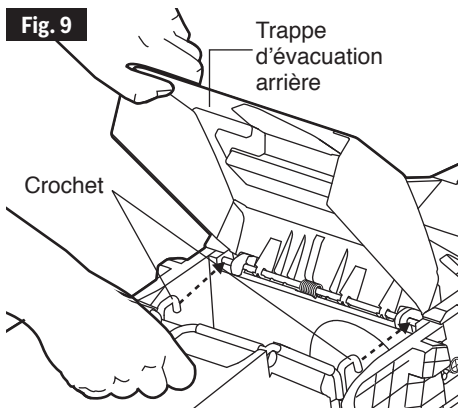
⚠ AVERTISSEMENT Ne procédez à aucun réglage de la tondeuse à gazon avant d'avoir arrêté le moteur, retiré le bloc-piles et attendu que la lame cesse de tourner.

REMARQUE : Retirez l'accessoire de déchetage avant d'attacher le sac collecteur à la tondeuse.

1. Retirez le bloc-piles.
2. Réglez la poignée en position d'entreposage verrouillée.
3. Soulevez la trappe d'évacuation arrière.
4. Accrochez l'ensemble de sac collecteur sur la tige pivot (Fig. 9). Déverrouillez la trappe d'évacuation de manière à ce qu'elle repose sur le sac collecteur.
5. Pour retirer le sac collecteur, soulevez la trappe d'évacuation arrière de la tondeuse. Soulevez le sac collecteur pour le dégager de la tige pivot.
6. Relâchez la trappe d'évacuation.

⚠ AVERTISSEMENT Lorsque vous utilisez le sac collecteur, ne faites jamais fonctionner la tondeuse si les crochets du sac collecteur ne sont pas fermement accrochés sur la tige pivot et si la trappe d'évacuation arrière ne repose pas fermement sur le dessus du sac collecteur.

⚠ AVERTISSEMENT Dans des conditions normales d'utilisation, le matériau du sac est sujet à l'usure. Pour réduire le risque de blessure, inspectez fréquemment l'ensemble de sac et remplacez-le s'il présente des signes d'usure ou de détérioration. Utilisez exclusivement des sacs collecteurs fabriqués pour cette tondeuse.

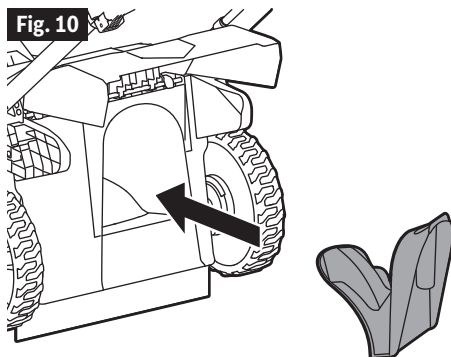


Attacher/retirer l'accessoire de déchiquetage

⚠ AVERTISSEMENT Ne procédez à aucun réglage de la tondeuse à gazon avant d'avoir arrêté le moteur, retiré le bloc-piles et attendu que la lame cesse de tourner.

1. Retirez la pile.
2. Soulevez la trappe d'évacuation arrière.
3. Saisissez l'accessoire de déchiquetage par sa poignée et insérez-le complètement dans la tondeuse pour qu'il soit bien en place (Fig. 10).
4. Pour retirer l'accessoire de déchiquetage, soulevez la trappe d'évacuation arrière, saisissez la poignée de l'accessoire de déchiquetage et tirez-le vers l'extérieur.
5. Relâchez la trappe d'évacuation et assurez-vous qu'elle repose fermement contre l'accessoire de déchiquetage.

REMARQUE : L'accessoire de déchiquetage doit être retiré pour pouvoir installer et utiliser le sac collecteur.



INSTRUCTIONS D'UTILISATION

⚠ AVERTISSEMENT Pour réduire les risques d'incendie, de blessures et de dommages causés par un court-circuit, ne plongez jamais l'outil, le bloc-piles ou le chargeur dans un liquide et ne laissez jamais un liquide s'écouler à l'intérieur. Les liquides corrosifs ou conducteurs, tels que l'eau de mer, certains produits chimiques industriels, l'eau de Javel ou les produits contenant de l'eau de Javel, etc. peuvent provoquer un court-circuit.

⚠ AVERTISSEMENT Si des pièces sont endommagées ou manquantes, n'utilisez pas cet appareil tant qu'elles n'ont pas été remplacées.

L'utilisation de ce produit avec des pièces endommagées ou manquantes peut entraîner des blessures graves.

⚠ AVERTISSEMENT Portez toujours des lunettes de sécurité avec écrans latéraux certifiées conformes à la norme ANSI Z87.1. Le non-respect de cette consigne peut entraîner la projection d'objets dans les yeux et d'autres blessures graves.

⚠ AVERTISSEMENT Ne laissez pas l'habitude (découlant de l'usage de ce produit) endormir votre vigilance. N'oubliez jamais qu'une fraction de seconde d'inattention suffit pour entraîner de graves blessures.

Avant chaque utilisation, inspectez le produit dans son intégralité pour vous assurer qu'il ne contient pas de pièces endommagées, manquantes ou desserrées, comme des vis, des écrous, des boulons, des capuchons, etc. Serrez fermement toutes les fixations et tous les capuchons et n'utilisez pas ce produit tant que toutes les pièces manquantes ou endommagées n'ont pas été remplacées.

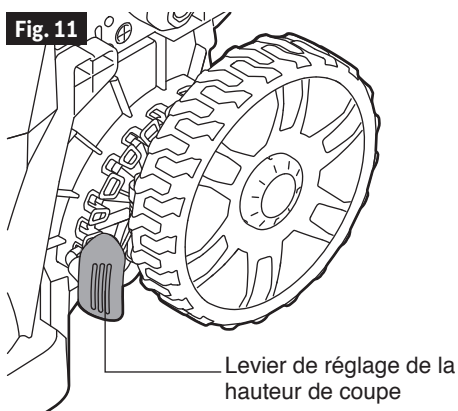
Réglage de la hauteur de coupe (Fig. 11)

⚠ AVERTISSEMENT Ne procédez à aucun réglage de la tondeuse à gazon avant d'avoir arrêté le moteur, retiré le bloc-piles et attendu que la lame cesse de tourner.

⚠ AVERTISSEMENT Tenez vos pieds à l'écart du plateau de coupe lorsque vous réglez sa hauteur.

La tondeuse peut être réglée sur 7 hauteurs de coupe entre 1-1/2 po et 4 po. Choisissez la hauteur de coupe appropriée en fonction du type et de l'état de la pelouse.

1. D'une main, tenez le tube de poignée le plus proche pour la stabilité et utilisez l'autre main pour tirer le levier de réglage de la hauteur de coupe en l'écartant des fentes de la plaque d'indication de la hauteur de coupe.
2. Déplacez le levier de réglage de la hauteur de coupe vers l'arrière de la tondeuse pour une hauteur de coupe plus élevée ; déplacez-le vers l'avant de la tondeuse pour une hauteur de coupe plus basse.
3. Une fois que vous avez obtenu la hauteur de coupe souhaitée, repoussez le levier de réglage de la hauteur de coupe dans la fente.

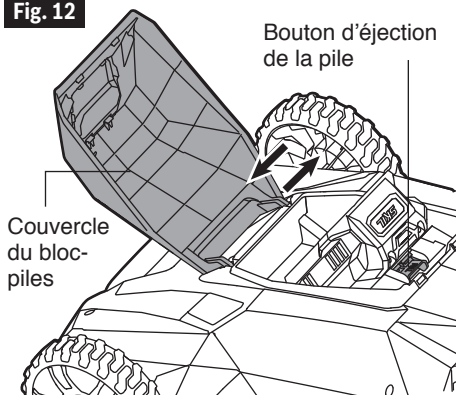


Attacher/détacher le bloc-piles (Fig. 12)

Fig. 12

⚠ AVERTISSEMENT Les outils à pile sont toujours en état de fonctionnement. Par conséquent, retirez la pile lorsque vous assemblez des pièces, effectuez des réglages, nettoyez, lorsque l'outil n'est pas utilisé, ou lorsque vous le transportez à vos côtés. En retirant le bloc-piles, vous éviterez un démarrage accidentel qui pourrait entraîner des blessures graves.

1. Le couvercle du bloc-piles est articulé sur charnières. Soulevez le couvercle du bloc-piles par l'avant.
2. Alignez les fentes du bloc-piles avec les nervures en relief du logement de pile de la tondeuse. Insérez ensuite le bloc-piles dans le compartiment.
3. Poussez le bloc-piles jusqu'à ce que vous entendiez un déclic. Le bouton de déverrouillage de la pile se relève lorsque le bloc-piles est correctement en place.
4. Pour détacher le bloc-piles, appuyez sur le bouton de déverrouillage de la pile pour libérer cette dernière, puis soulevez-la hors du compartiment.
5. Fermez le couvercle du bloc-piles.



REMARQUE : Assurez-vous que le verrou de la tondeuse s'enclenche et que le bloc-piles est bien fixé à la tondeuse avant de commencer à travailler.

Démarrage/arrêt de la tondeuse

⚠ AVERTISSEMENT L'utilisation d'une tondeuse à gazon peut entraîner la projection de corps étrangers dans vos yeux ou dans ceux d'autres personnes, causant potentiellement de graves lésions oculaires. Portez toujours des lunettes de sécurité lorsque vous utilisez la tondeuse ou lorsque vous effectuez des réglages ou des réparations sur la tondeuse.

⚠ AVERTISSEMENT Veillez à ce que les personnes de votre entourage et les animaux domestiques se tiennent à 30 m (100 pi) au moins de la tondeuse lorsqu'elle est utilisée.

⚠ AVERTISSEMENT La lame continue à tourner pendant quelques secondes après l'arrêt de la tondeuse. Laissez le moteur/la lame s'arrêter de tourner avant de relancer la tondeuse. Ne soumettez pas votre tondeuse à des cycles marche/arrêt rapides.

⚠ MISE EN GARDE Ne tentez pas de contourner le fonctionnement du bouton de sécurité et du levier de sécurité.

REMARQUE : Le moteur ne peut être démarré que si :

- Les rails latéraux sont complètement déployés.
- Les deux pinces de verrouillage de la poignée sont bien fermées.
- La poignée est verrouillée dans l'une des trois positions de fonctionnement.

Pour démarrer la tondeuse (Fig. 13)

1. Attachez le bloc-piles à la tondeuse et fermez le couvercle du bloc-piles.
2. Appuyez sur le bouton de sécurité.

3. Lorsque le bouton de sécurité est enfoncé, tirez le levier de sécurité vers le haut pour qu'il rencontre la poignée. La tondeuse démarre.
4. Relâchez sur le bouton de sécurité.

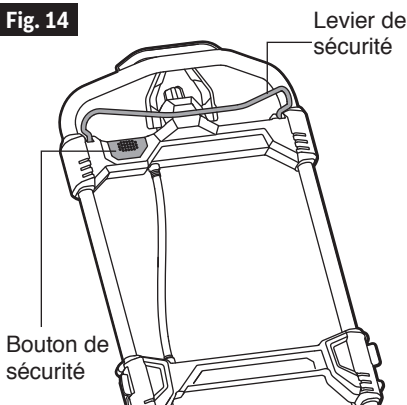
Pour arrêter la tondeuse (Fig. 14)

1. Relâchez complètement le levier de sécurité.
2. Le frein électrique arrêtera la rotation de la lame dans les 3 secondes qui suivent le relâchement du levier de sécurité

Fig. 13



Fig. 14



Système automoteur (modèle SM4910-00 seulement)

La tondeuse SM4910-00 est équipée d'une fonction automotrice. Ce système est indépendant de l'interrupteur marche-arrêt de la lame et ne dépend pas de la rotation de la lame. Par exemple, lorsque vous avez terminé de tondre votre pelouse, vous pouvez utiliser la fonction automotrice pour ramener la tondeuse jusqu'au lieu d'entreposage sans que les lames ne tournent. Vous pouvez également choisir de l'utiliser comme une tondeuse non automotrice pour maximiser l'autonomie de la pile.

Pour faire fonctionner le système automoteur sans rotation de la lame, tirez le levier de la fonction automotrice vers la poignée.

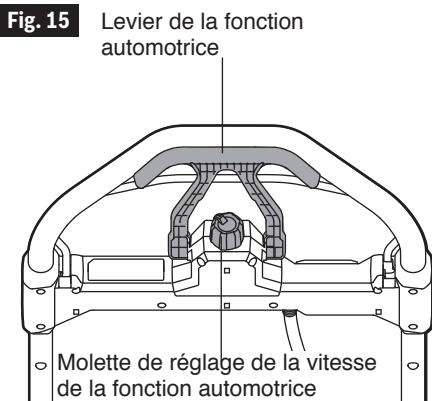
Pour couper la fonction automotrice, relâchez la gâchette de la fonction automotrice (Fig. 15). Le système est équipé d'une molette de réglage de la vitesse.

Tournez la molette pour régler la vitesse de la fonction automotrice de la tondeuse selon vos besoins.

Pour mettre la lame en rotation pour la coupe :

1. Appuyez sur le bouton de sécurité.
2. Lorsque le bouton de sécurité est enfoncé, tirez le levier de sécurité vers la poignée et relâchez le bouton de sécurité.

Fig. 15



3. Maintenez d'une main le levier de sécurité contre la poignée. Tirez le levier de la fonction automotrice vers la poignée avec l'autre main.
4. D'une main, maintenez le levier de sécurité et le levier de la fonction automotrice contre la poignée et utilisez l'autre main pour tourner la molette de réglage de la vitesse de la fonction automotrice afin de choisir la vitesse désirée.

REMARQUE : Lorsque vous coupez la fonction automotrice, par exemple au bout d'une bande, celle-ci peut se bloquer temporairement si vous tirez la tondeuse vers l'arrière. Il suffit de pousser légèrement vers l'avant, puis de déplacer la tondeuse selon les besoins.

REMARQUE : Il est parfois plus facile de tondre autour d'un objet sans utiliser la fonction automotrice.

⚠ AVERTISSEMENT Pour réduire le risque de blessure, n'essayez jamais de neutraliser le fonctionnement du bouton ou du système automoteur. Utilisez la fonction automotrice uniquement pour l'usage auquel elle est destinée.

Conseils de tonte

REMARQUE : Une lame affûtée améliorera considérablement les performances de la tondeuse, en particulier lors de la coupe d'herbe haute. Pensez à contrôler le tranchant de la lame avant de tondre.

- Vérifiez que la pelouse est exempte de pierres, de bâtons, de fils et d'autres objets qui pourraient endommager la tondeuse ou le moteur. De tels objets pourraient être projetés accidentellement par la tondeuse dans n'importe quelle direction et causer des blessures graves à l'opérateur et aux autres personnes présentes.

⚠ AVERTISSEMENT Si vous heurtez un corps étranger, arrêtez le moteur et retirez la pile. Inspectez soigneusement la tondeuse pour vérifier qu'elle n'est pas endommagée et réparez tout élément endommagé avant de la redémarrer et de la faire fonctionner. Des vibrations excessives de la tondeuse en cours de fonctionnement indiquent la présence de dommages. L'appareil doit être inspecté et réparé rapidement.

- Pour de meilleurs résultats, ne tondez pas en rond. Faites des allers-retours sur la pelouse.
- Lorsque vous coupez de l'herbe épaisse, réduisez votre allure afin de permettre une coupe plus efficace et une bonne évacuation des débris de tonte.
- Pour maintenir une pelouse saine, coupez seulement un tiers ou moins de la longueur totale de l'herbe. La longueur moyenne des brins d'une pelouse devrait être d'environ 3,80 cm à 5 cm (1-1/2 à 2 po) pendant les mois frais et de 5 cm à 8,25 cm (2 à 3-1/4 po) pendant les mois chauds.

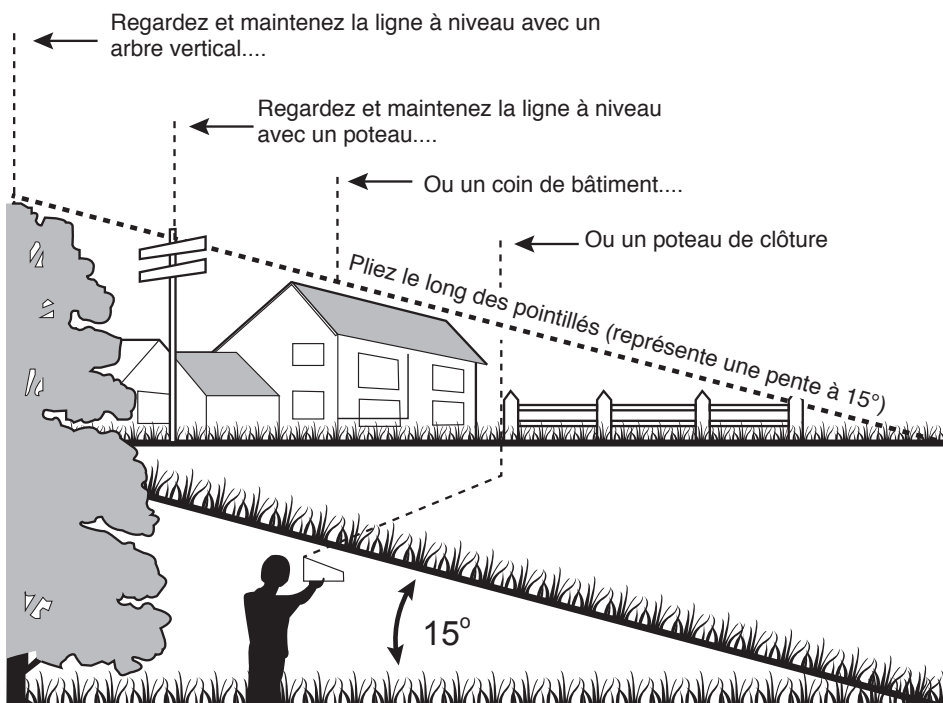
⚠ AVERTISSEMENT Retirez toujours le bloc-piles de la tondeuse après la fin des travaux.

Guide d'inclinaison (Fig. 16)

⚠ AVERTISSEMENT Ne tondez pas une pente dont l'angle est supérieur à 15° (une montée d'environ 0,75 m (2-1/2 pi) tous les 3 m (10 pi)). Tondez sur le flanc des pentes, jamais vers le haut ou le bas.

Utilisez le guide de la Fig. 16 pour identifier les pentes qui ne peuvent pas être tondues en toute sécurité.

Fig. 16



Astuces de déchiquetage

⚠ AVERTISSEMENT Inspectez la zone où la tondeuse doit être utilisée et retirez tous les cailloux, bâtons, fils et autres débris qui pourraient être projetés par la lame rotative.

- Relâchez le levier de sécurité pour arrêter la rotation de la lame de la tondeuse lorsque vous traversez une zone couverte de gravier ; les pierres peuvent être projetées par la lame en rotation.
- Réglez la tondeuse à la hauteur de coupe la plus élevée lorsque vous tondez sur un sol inégal ou de l'herbe haute.

- Pour un déchiquetage efficace, ne tondez pas l'herbe mouillée ; elle a tendance à adhérer à la face inférieure du plateau de coupe, ce qui empêche le déchiquetage approprié des débris de tonte d'herbe. Le meilleur moment pour tondre la pelouse est en fin d'après-midi, lorsque l'herbe est sèche et que la zone fraîchement tondue ne sera pas exposée à la lumière directe du soleil.
- Pour obtenir les meilleures performances de déchiquetage, réglez la hauteur de coupe de façon à enlever environ un tiers de la longueur des brins d'herbe, idéalement pas plus de 3,80 cm (1-1/2 po) à la fois. Si l'herbe est haute, il peut être nécessaire d'augmenter la hauteur de coupe pour faciliter la tonte et éviter de surcharger le moteur. Ralentissez votre allure lorsque l'herbe est haute ou épaisse. Pour le broyage d'herbe extrêmement épaisse ou haute, il est conseillé de tondre d'abord à une hauteur de coupe élevée, puis de retondre à la hauteur de coupe finale. Sinon, tondez en bandes plus étroites et avancez lentement. ASSUREZ-VOUS TOUJOURS QUE LA LAME EST AFFÛTÉE.

⚠ AVERTISSEMENT

Retirez toujours le bloc-piles de la tondeuse après la fin des travaux.

ENTRETIEN

⚠ AVERTISSEMENT

Pour éviter des blessures graves, retirez toujours le bloc-piles de l'outil avant toute opération de nettoyage ou d'entretien.

⚠ AVERTISSEMENT

Lors de toute réparation, n'utilisez que des pièces de rechange identiques. L'utilisation de toute autre pièce peut être dangereuse ou endommager le produit.

Inspectez périodiquement le produit dans son intégralité pour vous assurer qu'il ne présente pas de pièces endommagées, manquantes ou desserrées, comme des vis, des écrous, des boulons, des capuchons, etc. Serrez fermement toutes les fixations et tous les capuchons et n'utilisez pas ce produit tant que toutes les pièces manquantes ou endommagées n'ont pas été remplacées. Veuillez communiquer avec le service à la clientèle ou un centre de service après vente agréé pour obtenir de l'aide.

Communiquez avec un centre de service après-vente d'usine SKIL ou un centre de service SKIL agréé pour obtenir de l'aide.

Nettoyage de la tondeuse

⚠ AVERTISSEMENT

Retirez toujours le bloc-piles de l'outil lors du nettoyage ou de l'entretien.

La face inférieure du plateau de coupe doit être nettoyée après chaque utilisation pour retirer toute accumulation de déchets de tonte, de feuilles, de terre et d'autres débris. Cette accumulation n'est pas souhaitable, car elle favorise la formation de rouille et la corrosion.

Retirez toute accumulation d'herbe et de feuilles sur ou autour de l'arbre d'entraînement des roues arrière (tondeuse automotrice uniquement) et sur ou autour du ventilateur du moteur (n'utilisez pas d'eau). Essayez la tondeuse avec un chiffon humide.

⚠ AVERTISSEMENT

Ne laissez jamais les liquides de freins, l'essence, les produits à base de pétrole, les huiles pénétrantes, etc. entrer en contact avec les pièces en plastique. Les produits chimiques peuvent endommager, affaiblir ou détruire le plastique, ce qui peut entraîner des blessures graves.

Retrait de la lame

⚠ AVERTISSEMENT

Protégez toujours vos mains en portant des gants épais ou enveloppant les bords coupants dans des chiffons ou d'autres matériaux lors de toute opération d'entretien sur la lame de la tondeuse. Retirez toujours le bloc-piles lors de l'entretien ou du transport de la tondeuse.

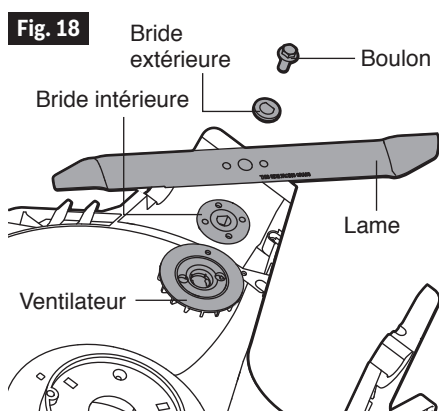
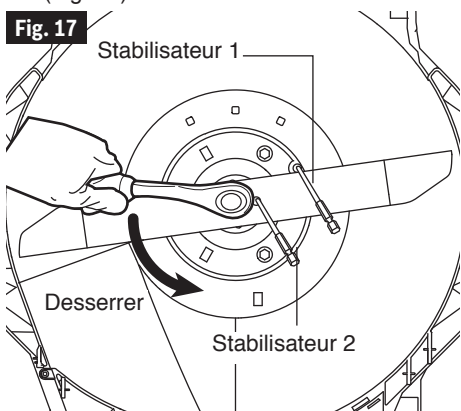
REMARQUE : Les outils suivants (non fournis avec la tondeuse) sont nécessaires pour remplacer la lame :

- Clé de 14 mm (9/16 po)
- Clé dynamométrique
- Tournevis manuel ou tige métallique d'un diamètre de 8 mm (5/16 po)
- Tournevis manuel ou tige métallique d'un diamètre de 6,35 mm (1/4 po) ou moins.

1. Arrêtez le moteur ; retirez la pile de la tondeuse.
2. Placez la tondeuse sur le côté.
3. Tout en portant des gants de protection, placez une tige métallique (par ex. un embout de vissage de 8,89 cm (3,5 po) de longueur) d'un diamètre à 8 mm (5/16 po) dans l'orifice de fixation pour faire office de stabilisateur.

REMARQUE : Si le boulon tourne avec l'arbre du moteur lorsque vous le desserrez, tournez le ventilateur à la main pour aligner les orifices traversants du ventilateur avec les orifices de la pale, et placez une autre tige métallique (par ex., un embout de vissage de 8,89 cm (3,5 po) de longueur) d'un diamètre inférieur à 6,35 mm (1/4 po) dans les orifices alignés pour faire également office de stabilisateur (fig. 17).

- Utilisez une clé de 14 mm (9/16 po) pour tourner le boulon de la lame dans le sens inverse des aiguilles d'une montre pour le desserrer.
- Tout en portant des gants de protection, retirez le boulon, la bride extérieure et la lame (Fig. 18).

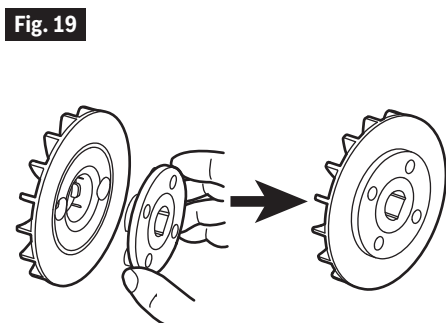


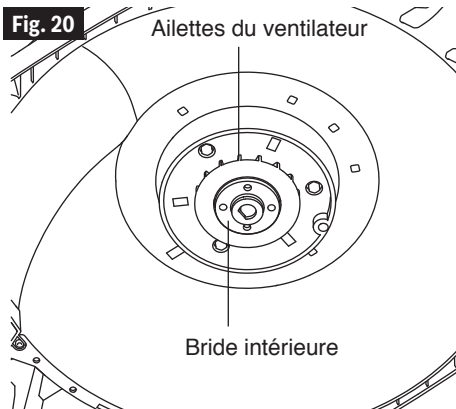
Installation de la lame

⚠ AVERTISSEMENT Protégez toujours vos mains en portant des gants épais ou en enveloppant les bords coupants dans des chiffons ou d'autres matériaux lors de toute opération d'entretien sur la lame de la tondeuse. Retirez toujours le bloc-piles lors de l'entretien ou du transport de la tondeuse.

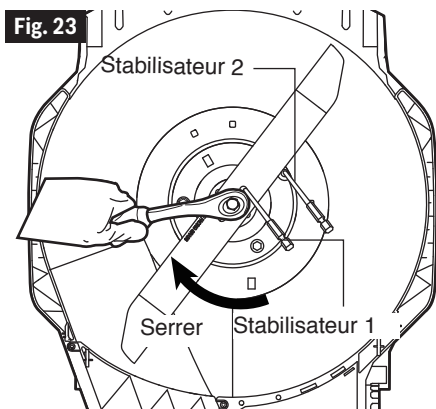
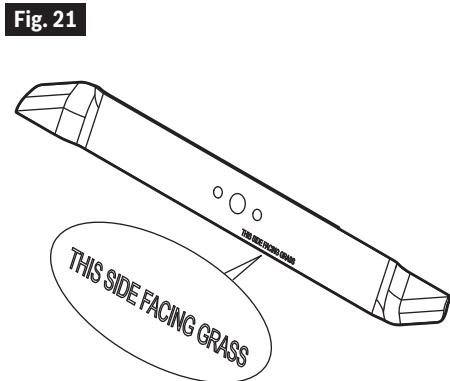
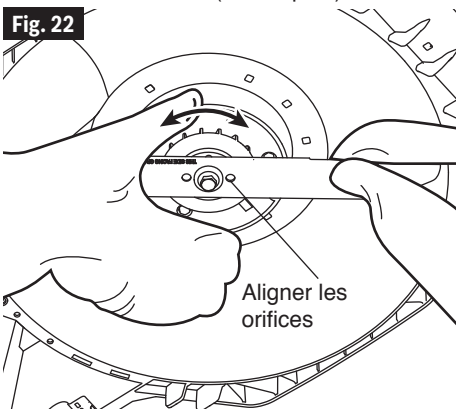
REMARQUE : Pour réinstaller ou remplacer la lame, veillez à reposer les pièces en tenant compte de l'ordre dans lequel elles ont été déposées (Fig. 18).

- Montez la bride intérieure sur le ventilateur (Fig. 19).
- Montez le ventilateur et la bride intérieure sur l'arbre du moteur, les ailettes du ventilateur étant orientées vers le plateau de coupe (Fig. 20).
- Tout en portant des gants de protection, positionnez la lame sur la bride intérieure en orientant la face marquée « THIS SIDE FACING GRASS » (CÔTÉ FACE À L'HERBE) vers l'extérieur (Fig. 21).





4. Alignez la bride extérieure avec l'arbre et mettez-la en place.
5. Vissez le boulon dans l'arbre et tournez-le dans le sens des aiguilles d'une montre à la main pour approcher le serrage.
6. Tout en portant des gants de protection, tenez la lame d'une main et faites tourner le ventilateur de l'autre pour aligner les orifices de la lame avec les orifices traversants de la bride intérieure (Fig. 22).
7. Placez une tige métallique (par ex. un embout de vissage de 8,89 cm (3,5 po) de longueur) d'un diamètre inférieur à 6,35 mm (1/4 po) dans les orifices alignés pour faire office de stabilisateur. Placez une autre tige métallique (par ex. un embout de vissage de 8,89 cm (3,5 po) de longueur) d'un diamètre à 8 mm (5/16 po) dans l'orifice de fixation pour faire également office de stabilisateur (Fig. 23).
8. Utilisez une clé dynamométrique de 14 mm (9/16 po) pour serrer le boulon dans le sens des aiguilles d'une montre. Le couple de serrage recommandé pour le boulon de la lame est de 49-59 Nm (36~43 pi-lb).



Affûtage de la lame

⚠ AVERTISSEMENT Protégez toujours vos mains en portant des gants épais ou en enveloppant les bords coupants dans des chiffons ou d'autres matériaux lors de toute opération d'entretien sur la lame de la tondeuse. Retirez toujours le bloc-piles lors de l'entretien ou du transport de la tondeuse.

⚠ AVERTISSEMENT Portez une protection appropriée des yeux lors du retrait, de l'affûtage et de l'installation de la lame.

⚠ AVERTISSEMENT Une lame usée, fissurée ou endommagée peut se briser et les morceaux de la lame endommagée peuvent devenir des projectiles dangereux. Les objets projetés peuvent causer des blessures graves. Inspectez la lame régulièrement et n'utilisez pas la tondeuse avec une lame usée ou endommagée.

REMARQUE : Maintenez la lame aiguisée pour une meilleure performance de la tondeuse. Une lame émoussée ne coupe pas l'herbe proprement ou ne déchiquette pas correctement.

Une lame émoussée peut être affûtée, mais une lame trop usée, tordue, fissurée ou endommagée doit être remplacée. Une lame usée ou endommagée peut se briser, ce qui peut entraîner la projection de morceaux de lame hors de la tondeuse.

Si les lames sont tordues, apportez la tondeuse à gazon à un centre de service après vente SKIL agréé pour inspection.

Fréquence d'affûtage

Au cours d'une saison de tonte, deux affûtages de la lame suffisent généralement dans des circonstances normales. Le sable émousse rapidement la lame ; si votre pelouse pousse sur un sol sablonneux, un affûtage plus fréquent peut s'avérer nécessaire.

Quand affûter la lame :

- Assurez-vous que la lame reste parfaitement équilibrée.
- Affûtez la lame à l'angle de coupe d'origine.
- Affûtez les bords coupants des côtés gauche et droit de la lame en enlevant une quantité égale de matériau de chaque extrémité.

Pour affûter la lame dans un étau :

1. Retirez la lame de la tondeuse.
2. Serrez la lame dans un étau (Fig. 24).
3. Portez une protection des yeux et des gants appropriés et prenez garde à ne pas vous couper.
4. Limez soigneusement les bords coupants de la lame à l'aide d'une lime à stries douces ou d'une pierre à aiguiser, en conservant l'angle de coupe d'origine.
5. Pour contrôler l'équilibre de la lame, serrez un clou ou un tournevis à tige ronde en position horizontale. Positionnez la lame de façon à ce que le clou ou la tige ronde du tournevis soutienne la lame par son orifice central. Équilibrez la lame horizontalement. Si l'une ou l'autre extrémité de la lame pivote vers le bas, retirez un peu de métal de l'extrémité lourde ou orientée vers le bas jusqu'à ce que la lame soit correctement équilibrée. L'équilibre parfait est obtenu lorsqu'aucune des deux extrémités ne pointe vers le bas (Fig. 25).

Fig. 24

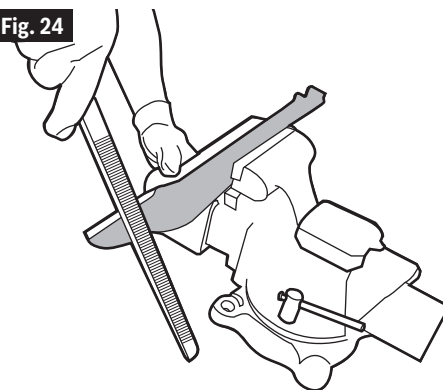
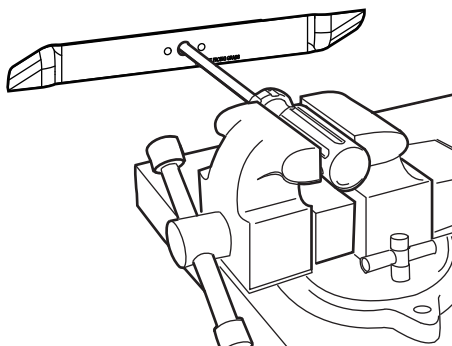


Fig. 25



6. Reposez la lame sur la tondeuse et serrez-la fermement.

⚠ AVERTISSEMENT Une lame déséquilibrée provoquera des vibrations excessives en tournant à grande vitesse. Cela pourrait endommager la tondeuse et entraîner des blessures.

Remplacement des roues

⚠ AVERTISSEMENT Retirez toujours le bloc-piles lors de l'entretien ou du transport de la tondeuse.

1. Placez la tondeuse de sorte à orienter sa surface supérieure contre un mur.
2. Utilisez un tournevis à tête plate pour faire levier sur le cache-poussière de la roue.
3. Utilisez une clé à molette ou une clé de 13 mm (1/2 po) pour tourner le boulon dans le sens inverse des aiguilles d'une montre afin de le desserrer.

Pour les roues avant (tous modèles) (Fig. 26) et les roues arrière (version non automotrice) (Fig. 27) :

4. Retirez le boulon et la roue usée de l'axe de roue.
5. Montez la roue neuve sur l'axe de roue. Notez que l'évidement arrondi doit être tourné vers l'extérieur.
6. Fixez la roue avec le boulon en le serrant dans le sens des aiguilles d'une montre.
7. Posez le cache-poussière sur la roue et pressez-le en place.

Fig. 26

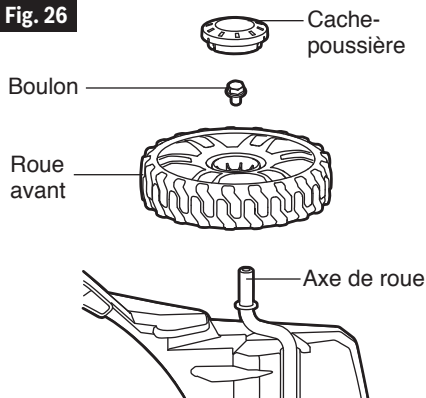
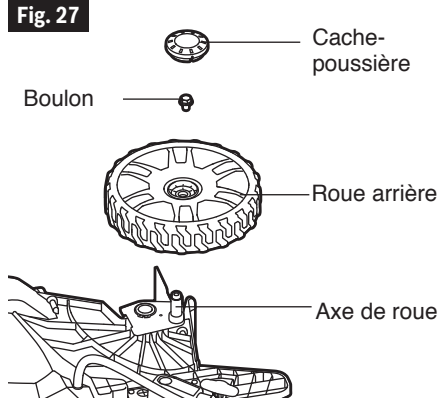


Fig. 27

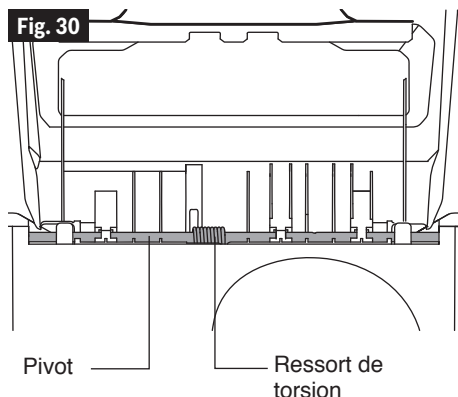
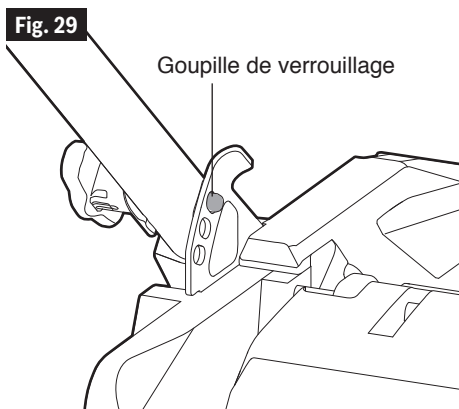
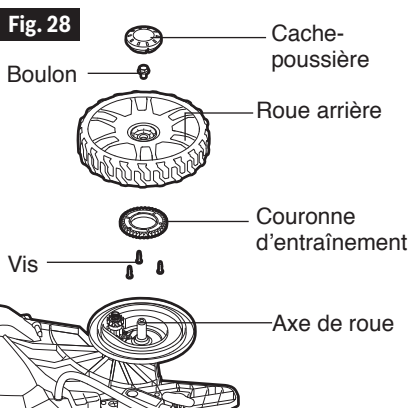


Pour les roues arrière de la tondeuse (version automotrice) (Fig. 28), retirez la couronne d'entraînement de la roue usée et assemblez-la à la nouvelle roue avec les 3 vis.

Lubrification

Lubrifiez l'appareil avec de l'huile légère comme indiqué ci-dessous au moins une fois par saison.

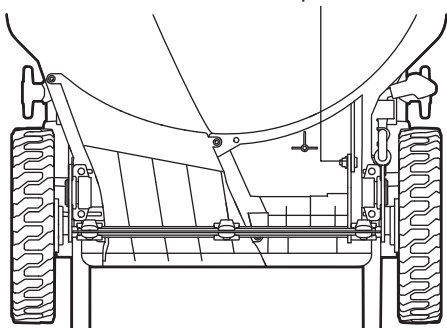
- Lubrifiez périodiquement la goupille de verrouillage de la molette de réglage de la poignée (Fig. 29), le ressort de torsion et le pivot de la trappe d'évacuation arrière (Fig. 30) avec de l'huile légère pour éviter la formation de rouille.



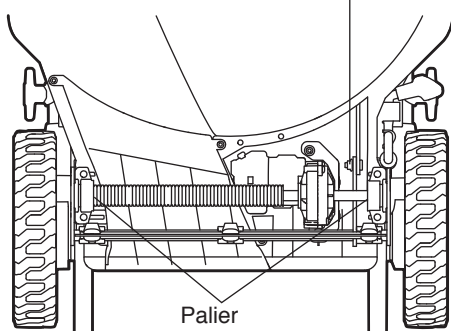
- Lubrifiez l'orifice central de la roue (ou l'axe de roue) avec de l'huile légère lorsque la rotation de la roue semble difficile pendant l'utilisation.
- Placez la tondeuse en position d'entreposage verrouillée et retirez la pile :
 1. Déplacez le levier de réglage de la hauteur de coupe vers l'avant et enclenchez-le dans la position la plus basse.
 2. Ouvrez les pinces de verrouillage de la poignée et rétractez complètement les rails latéraux en position compacte.
 3. Tournez la molette de réglage de la poignée pour libérer la poignée.
 4. Faites pivoter doucement la poignée vers l'avant de la tondeuse ; tournez la molette de réglage de la poignée pour verrouiller la poignée en position d'entreposage verrouillée. Assurez-vous que la goupille de verrouillage est bien engagée en position d'entreposage verrouillée.
- Placez la tondeuse repliée à la verticale sur le sol (Fig. 31 et 32).
 1. Lubrifiez l'articulation de réglage de la hauteur du plateau de coupe.
 2. Sur les tondeuses automotrices, lubrifiez les paliers de l'arbre d'entraînement près des roues arrière (Fig. 32).

Fig. 31

Articulation de réglage de la hauteur du plateau

**Fig. 32**

Articulation de réglage de la hauteur du plateau



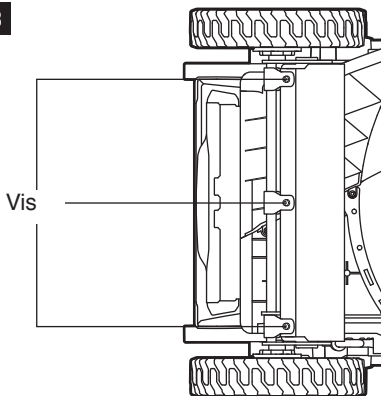
Remplacement de la protection arrière

⚠ AVERTISSEMENT Retirez toujours le bloc-piles lors de l'entretien ou du transport de la tondeuse.

⚠ AVERTISSEMENT N'utilisez jamais la tondeuse si la protection arrière n'est pas en place et opérationnelle. N'utilisez jamais la tondeuse si des dispositifs de sécurité sont endommagés. Le non-respect de cette consigne peut causer des blessures.

La protection arrière est sujette à l'usure et aux dommages, ce qui pourrait exposer les pièces mobiles ou permettre la projection d'objets. Pour des raisons de sécurité, contrôlez fréquemment la protection arrière et remplacez-la immédiatement par une pièce de rechange strictement identique. Communiquez avec le centre de service après-vente SKIL pour obtenir de l'aide.

1. Retirez la pile.
2. Placez la tondeuse de sorte à orienter sa surface supérieure contre un mur.
3. Dévissez les trois vis à l'aide d'un tournevis, puis retirez la protection arrière (Fig. 33).
4. Remplacez-la par une protection arrière neuve.

Fig. 33

Entreposage de la tondeuse

Pour préparer la tondeuse à gazon à l'entreposage, procédez comme suit.

1. Retirez le bloc-piles de la tondeuse et rangez-le à température ambiante dans un endroit sec.
2. Nettoyez la tondeuse comme décrit précédemment dans la section Entretien.
3. Inspectez la lame et remplacez-la ou affûtez-la si nécessaire.
4. Lubrifiez la tondeuse.
5. Rangez la tondeuse dans un endroit sec et propre. Ne l'entrez pas à proximité de substances corrosives, telles que des engrais ou du sel gemme.

6. Rangez la tondeuse dans un endroit couvert et fermé, frais et sec, hors de portée des enfants.
7. Ne recouvrez pas la tondeuse d'une bâche en plastique étanche. Les bâches en plastique retiennent l'humidité autour de la tondeuse, ce qui cause la formation de rouille et la corrosion.

L'ensemble de poignée peut être complètement rabattu pour l'entreposage :

1. Retirez le sac collecteur
2. Déplacez le levier de réglage de la hauteur de coupe vers l'avant et enclenchez-le dans la position la plus basse.
3. Ouvrez les pinces de verrouillage de la poignée et rétractez complètement les rails latéraux en position compacte.
4. Faites pivoter doucement la poignée vers l'avant de la tondeuse ; tournez la molette de réglage de la poignée pour verrouiller la poignée en position d'entreposage verrouillée. Assurez-vous que la goupille de verrouillage est bien engagée en position d'entreposage verrouillée.
5. Rangez la tondeuse verticalement ou à plat (Fig. 34a et 34b).

Fig. 34a

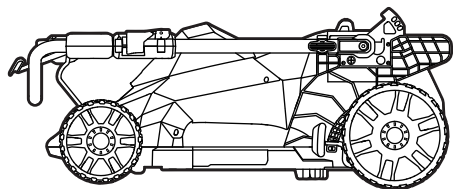
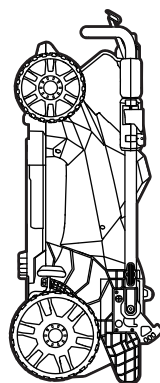


Fig. 34b



⚠ AVERTISSEMENT Si la tondeuse se renverse après avoir été mise en position verticale, elle risque d'être endommagée ou de causer des blessures. Faites toujours en sorte que la tondeuse reste stable et hors de portée des enfants lorsqu'elle est en position verticale. Si possible, posez-la à plat pour l'entreposage.

DÉPANNAGE

Problème	Cause	Remède
La tondeuse ne démarre pas.	<ol style="list-style-type: none">1. Le bloc-piles est déchargé.2. Le bloc-piles n'est pas correctement en place dans le compartiment de la pile.3. La température de la pile ou de la tondeuse est trop élevée.4. Les rails latéraux ne sont pas déployés à leur longueur maximale et les pinces ne sont pas verrouillées en position.5. La poignée n'est pas réglée sur l'une des trois positions de fonctionnement.6. Le plateau de coupe de la tondeuse est obstrué par de l'herbe et des débris.	<ol style="list-style-type: none">1. Chargez le bloc-piles.2. Attachez le bloc-piles à la tondeuse ; appuyez dessus jusqu'à ce que vous entendiez un déclic.3. Arrêtez la tondeuse et retirez le bloc-piles de la tondeuse. Laissez la pile et la tondeuse refroidir.4. Déployez complètement la poignée et verrouillez les deux pinces.5. Réglez la poignée dans l'une des trois positions de fonctionnement.6. Arrêtez la tondeuse et retirez le bloc-piles de la tondeuse. Nettoyez le plateau de coupe de la tondeuse et assurez-vous que la lame peut tourner librement.
La tondeuse ne coupe pas uniformément.	<ol style="list-style-type: none">1. La lame est émoussée.2. La hauteur de coupe n'est pas réglée correctement.3. La lame est mal montée.	<ol style="list-style-type: none">1. Affûtez la lame ou remplacez-la.2. Réglez la hauteur du plateau de coupe à un niveau plus élevé.3. Réassemblez la lame en suivant les instructions de la section « INSTALLATION DE LA LAME » de ce manuel.

Problème	Cause	Remède
La tondeuse s'arrête pendant la tonte.	<ol style="list-style-type: none"> 1. Le bloc-piles est déchargé. 2. La tondeuse est en surcharge. 3. Le plateau de coupe de la tondeuse est obstrué par de l'herbe et des débris. 4. La température de la pile ou de la tondeuse est trop élevée. 5. Le rail latéral est légèrement rétracté par la force de poussée exercée sur la poignée. 	<ol style="list-style-type: none"> 1. Chargez le bloc-piles. 2. Relevez la hauteur de coupe ou réduisez l'allure de tonte. 3. Arrêtez la tondeuse et retirez le bloc-piles de la tondeuse. Retirez toute accumulation de débris dans le plateau de coupe. Relevez la hauteur de coupe ou coupez une bande étroite. 4. Arrêtez la tondeuse et retirez le bloc-piles de la tondeuse. Laissez la pile et la tondeuse refroidir. 5. Déverrouillez les pinces. Déployez complètement les rails latéraux et serrez à nouveau les pinces.
La tondeuse ne déchiquette pas correctement.	<ol style="list-style-type: none"> 1. L'herbe coupée humide adhère à la face inférieure du plateau de coupe. 2. La tondeuse est réglée pour couper trop d'herbe à la fois. 	<ol style="list-style-type: none"> 1. Enlevez l'herbe accumulée et attendez qu'elle sèche avant de tondre. 2. Relevez le plateau de coupe à une hauteur de coupe plus élevée.
La tondeuse vibre de manière excessive.	<ol style="list-style-type: none"> 1. La lame de coupe est desserrée. 2. La lame de coupe est déséquilibrée. 3. La lame de coupe est tordue. 	<ol style="list-style-type: none"> 1. Serrez le boulon de la lame. 2. Équilibrez la lame conformément aux instructions. 3. Remplacez la lame.
Les pinces de verrouillage des poignées ne peuvent pas être serrées en position.	<ol style="list-style-type: none"> 1. Les rails latéraux ne sont pas complètement déployés. 	<ol style="list-style-type: none"> 1. Déployez complètement les rails latéraux puis serrez les pinces.
Il est difficile de tirer la tondeuse vers l'arrière lorsque la fonction automotrice est coupée.	<ol style="list-style-type: none"> 1. Les roues sont temporairement bloquées. 	<ol style="list-style-type: none"> 1. Il suffit de pousser légèrement vers l'avant, puis de déplacer la tondeuse selon les besoins.

Problème	Cause	Remède
Le moteur fonctionne mais la lame ne coupe pas l'herbe.	1. La lame n'est pas serrée au couple requis.	1. Resserrez la lame. Le couple de serrage recommandé pour le boulon de la lame est de 49-59 Nm (36-43 pi-lb).
Courte autonomie de la tondeuse avec la pile incluse.	1. L'état de la pelouse et le réglage de la hauteur de coupe affecteront grandement l'autonomie de la pile.	1. Augmentez la hauteur de coupe et ralentissez votre allure pour réduire la charge imposée à la tondeuse.

GARANTIE LIMITÉE DE L'OUTIL SKIL

GARANTIE LIMITÉE DE 5 ANS

Chervon North America, Inc. (le « vendeur ») garantit à l'acheteur initial seulement que tous les OUTILS SKIL destinés à un usage résidentiel seront exempts de défauts de matériaux ou de fabrication pour une période de cinq ans à compter de la date d'achat si l'acheteur initial enregistre l'article dans les 30 jours suivant la date d'achat. LES PILES ET LES CHARGEURS sont garantis pour une période de 2 ans. L'enregistrement de l'article peut être effectué en ligne au www.Registermyskil.com. De plus, nous recommandons aux acheteurs initiaux de conserver leur reçu comme preuve d'achat. LA PÉRIODE DE GARANTIE DE CINQ ANS SUR LES OUTILS EST CONDITIONNELLE À L'ENREGISTREMENT DE L'ARTICLE DANS LES 30 JOURS SUIVANT LA DATE D'ACHAT. Si les acheteurs initiaux n'enregistrent pas leur article dans le délai prévu, la garantie limitée sur les outils électriques susmentionnée ne s'appliquera que pour une période de trois ans. Toutes les piles et tous les chargeurs demeureront couverts par la garantie limitée de deux ans.

Nonobstant les dispositions précédentes, si un outil SKIL destiné à un usage résidentiel est utilisé à des fins industrielles, professionnelles ou commerciales, la garantie susmentionnée ne s'appliquera que pour une période de quatre-vingt-dix (90) jours, que l'article ait été enregistré ou non.

LA SEULE OBLIGATION DU VENDEUR ET VOTRE RECOURS EXCLUSIF au titre de cette garantie limitée et, dans les limites permises par la loi, de toute garantie ou condition prévue par la loi, est la réparation ou le remplacement, sans frais, des pièces qui présentent un défaut matériel ou de fabrication, qui n'ont pas fait l'objet d'un usage abusif ou inapproprié et qui n'ont pas été réparées par des personnes autres que le vendeur ou un technicien d'un centre de service autorisé. Pour effectuer une réclamation au titre de la présente garantie limitée, vous devez retourner, port payé, l'article en entier à un centre de service de l'usine de SKIL ou à un centre de service autorisé. Pour communiquer avec un centre de service autorisé de SKIL Power Tools, veuillez visiter le www.Registermyskil.com ou composer le 1 877 SKIL-999 (1 877 754-5999).

LA PRÉSENTE GARANTIE NE COUVRE PAS LES PIÈCES D'ENTRETIEN COURANT ET LES CONSOMMABLES QUI PEUVENT S'USER À LA SUITE D'UNE UTILISATION NORMALE PENDANT LA PÉRIODE DE GARANTIE, Y COMPRIS LES LAMES, LES TÊTES DE COUPE, LES GUIDE-CHAÎNE, LES CHAÎNES DE COUPE, LES COURROIES, LES RACLEURS ET LES BUSES DE SOUFFLAGE.

TOUTE GARANTIE IMPLICITE APPLICABLE À UN ARTICLE EST LIMITÉE À UNE DURÉE ÉGALE À LA DURÉE DES GARANTIES EXPRESSES APPLICABLES À UN TEL ARTICLE, COMME IL EST INDIQUÉ AU PREMIER PARAGRAPHE DE CETTE GARANTIE. CERTAINS ÉTATS DES ÉTATS-UNIS ET CERTAINES PROVINCES DU CANADA NE PERMETTENT PAS DE LIMITATIONS QUANT À LA DURÉE DES GARANTIES IMPLICITES, DE SORTE QUE LES LIMITATIONS INDIQUÉES CI-DESSUS PEUVENT NE PAS S'APPLIQUER À VOUS.

LA PRÉSENTE GARANTIE NE COUVRE PAS LES DOMMAGES RÉSULTANT D'UNE MODIFICATION, D'UNE TRANSFORMATION OU D'UNE RÉPARATION NON AUTORISÉE.

LE VENDEUR NE SERA EN AUCUN CAS TENU RESPONSABLE DES DOMMAGES ACCESSOIRES OU CONSÉCUTIFS (Y COMPRIS, SANS TOUTEFOIS S'Y LIMITER, DES PERTES DE PROFIT) RÉSULTANT DE LA VENTE OU DE L'USAGE DE CET ARTICLE. CERTAINS ÉTATS DES ÉTATS-UNIS ET CERTAINES PROVINCES DU CANADA NE PERMETTENT PAS L'EXCLUSION OU LA LIMITATION DES DOMMAGES ACCESSOIRES OU CONSÉCUTIFS, DE SORTE QUE LA LIMITATION OU L'EXCLUSION SUSMENTIONNÉE POURRAIT NE PAS S'APPLIQUER À VOUS.

CETTE GARANTIE LIMITÉE VOUS CONFÈRE DES DROITS PRÉCIS. IL EST POSSIBLE QUE VOUS DISPOSIEZ ÉGALEMENT D'AUTRES DROITS, QUI VARIENT D'UN ÉTAT, D'UNE PROVINCE OU D'UN PAYS À L'AUTRE.

CETTE GARANTIE LIMITÉE S'APPLIQUE UNIQUEMENT AUX ARTICLES VENDUS AUX ÉTATS-UNIS D'AMÉRIQUE, AU CANADA ET À L'ÉTAT LIBRE DE PORTO RICO. POUR CONNAÎTRE LA COUVERTURE DE LA GARANTIE DANS D'AUTRES PAYS, VEUILLEZ COMMUNIQUER AVEC VOTRE DÉTAILLANT OU IMPORTATEUR SKIL LOCAL.

© Chervon North America, 1203 E. Warrentville Rd, Naperville, IL 60563.

ÍNDICE

Normas de seguridad para la cortadora de césped inalámbrica	71-75
Símbolos	76-79
Familiarícese con su cortadora de césped	80
Especificaciones	81
Accesorio	81-82
Ensamblaje	83-86
Instrucciones de utilización	87-92
Mantenimiento	93-100
Resolución de problemas	101-103
Garantía limitada de SKIL Consumer Tool	104

⚠ ADVERTENCIA

- Parte del polvo causado por el lijado eléctrico, el serruchado, la trituración, el taladro y otras actividades de construcción contiene sustancias químicas que, según el estado de California, causan cáncer, defectos congénitos u otros daños reproductivos. Algunos ejemplos de estos productos químicos son:
 - Plomo de pinturas a base de plomo.
 - Sílice cristalina de ladrillos, cemento y otros productos de mampostería.
 - Arsénico y cromo de madera tratada con químicos.
- El riesgo que corre debido a la exposición a estos químicos varía según la frecuencia con que realiza este tipo de trabajo. Para reducir la exposición a estas sustancias químicas:
 - Trabaje en un área bien ventilada.
 - Trabaje con equipo de seguridad aprobado, como las mascarillas antipolvo especialmente diseñadas para filtrar partículas microscópicas.
 - Evite estar en contacto prolongado con el polvo provocado por el lijado, el aserrado, la trituración y el taladrado, y otras actividades de construcción. Use ropa protectora y lave todas las áreas expuestas del cuerpo con agua y jabón. Si permite que el polvo llegue a su boca o a sus ojos, o que caiga sobre la piel, podría fomentar la absorción de productos químicos dañinos.

NORMAS DE SEGURIDAD PARA LA CORTADORA DE CÉSPED INALÁMBRICA

⚠ PELIGRO Esta máquina fue construida para utilizarse de acuerdo con las normas de utilización segura incluidas en este manual. Al igual que con cualquier equipo eléctrico, un descuido o un error por parte del operador puede causar lesiones graves. Esta máquina es capaz de amputar las manos y los pies y lanzar objetos al aire. Si no se observan todas las instrucciones de seguridad, el resultado podría ser lesiones graves o la muerte.

⚠ ADVERTENCIA Cuando utilice cortadoras de césped eléctricas, se deberán seguir siempre precauciones de seguridad básicas para reducir el riesgo de incendio, descargas eléctricas y lesiones corporales. Estas precauciones básicas incluyen las siguientes:

Niños

Pueden ocurrir accidentes trágicos si el operador no está alerta a la presencia de niños.

Los niños son atraídos a menudo a la cortadora y la actividad de la cortadora. No entienden los peligros. No suponga nunca que los niños permanecerán donde los vio por última vez.

- Mantenga a los niños fuera del área de corte y bajo el cuidado vigilante de un adulto responsable que no sea el operador.
- Esté alerta y apague la cortadora si un niño entra en el área.
- Tenga sumo cuidado cuando se acerque a esquinas ciegas, puertas, arbustos, árboles u otros objetos que puedan oscurecerle la visión de un niño que pueda correr hacia la cortadora.
- No deje nunca que niños menores de 14 años utilicen una cortadora de césped eléctrica. Los niños de 14 años y mayores de esa edad deberán leer y entender las instrucciones de utilización y las normas de seguridad contenidas en este manual, y deberán recibir capacitación y supervisión por un padre o una madre. Solo se deberá permitir que las personas responsables que estén familiarizadas con estas normas de utilización segura empleen esta máquina.

Utilización

Utilización general:

- Lea detenidamente por completo este manual del operador antes de intentar ensamblar esta máquina. Lea, entienda y siga todas las instrucciones que se encuentran en la máquina y en los manuales antes de utilizarla. Familiarícese completamente con los controles y el uso correcto de esta máquina antes de utilizarla. Mantenga este manual en un lugar seguro para referencia futura y periódica.
- Utilice el electrodoméstico adecuado: No utilice la cortadora de césped para cualquier trabajo, excepto para aquél para el cual esté diseñada. La cortadora de césped ha sido diseñada para realizar solo un trabajo: cortar pasto.
- No intente alcanzar demasiado lejos: Mantenga un apoyo de los pies y un equilibrio adecuados en todo momento.
- Los objetos golpeados por la cuchilla de la cortadora de césped pueden causar lesiones graves a las personas. El césped se deberá examinar siempre cuidadosamente y se deberán retirar de él todos los objetos antes de cada corte.
- Mantenga el área de utilización despejada de todas las personas, especialmente los niños pequeños y los animales domésticos.
- Antes de moverse hacia atrás con la cortadora y mientras lo hace, mire hacia atrás y hacia abajo para ver si hay niños pequeños y otras personas.
- Manténgase alejado de la abertura de descarga en todo momento.

- Esta máquina es un equipo eléctrico preciso, no una cosa para jugar. Por lo tanto, deberá ejercer suma precaución en todo momento. Su unidad ha sido diseñada para realizar un trabajo: cortar pasto. No la utilice para ningún otro propósito.
- No fuerce la cortadora de césped: Hará el trabajo mejor y de manera más segura a la velocidad para la cual fue diseñada.
- Inspeccione minuciosamente el área donde se va a utilizar el equipo. Retire todas las piedras, palos, alambres, juguetes y otros objetos extraños en los que se podría tropezar o que podrían ser recogidos y lanzados al aire por la cuchilla. Los objetos lanzados al aire pueden causar lesiones corporales graves.
- Planifique su patrón de corte para evitar descargar el material hacia caminos, banquetas de la calle, personas presentes y cosas similares. Además, evite descargar material contra paredes u obstrucciones, lo cual podría hacer que el material descargado rebote hacia atrás, hacia el operador.
- Para ayudara a evitar el contacto con la cuchilla o una lesión causada por objetos lanzados al aire, permanezca en la zona del operador detrás de las agarraderas, y mantenga a los niños, las personas presentes, los ayudantes y los animales domésticos al menos a 100 pies (30 m) de la cortadora mientras esté en funcionamiento. Pare la máquina si alguien entra en el área.
- Use siempre gafas de seguridad o anteojos de seguridad durante la utilización y mientras esté realizando un ajuste o una reparación, para protegerse los ojos. Los objetos lanzados al aire pueden causar lesiones graves en los ojos. Utilice siempre una careta o una máscara antipolvo si la operación genera polvo.
- Vista adecuadamente. No use ropa holgada ni joyas. Pueden quedar atrapadas en las piezas móviles. Se recomienda usar guantes y calzado de caucho cuando se trabaje a la intemperie. Use zapatos de trabajo robustos con suela resistente y pantalones largos y camisas que queden bien ajustados. Se recomiendan camisas y pantalones que cubran los brazos y los pies, así como zapatos con punta de acero. No utilice nunca esta máquina con los pies descalzos, sandalias o zapatos resbalosos o ligeros (p. ej., de lona).
- No ponga las manos ni los pies cerca de piezas que roten o que estén bajo la plataforma de corte. Un contacto con la cuchilla puede amputar las manos y los pies.
- Una cubierta de descarga que falte o esté dañada puede causar contacto con la cuchilla o lesiones por objetos lanzados al aire.
- Muchas lesiones ocurren como resultado de que la cortadora sea jalada sobre el pie durante una caída causada por un resbalón o un tropiezo. No se agarre a la cortadora si usted se está cayendo; suelte inmediatamente la agarradera.
- No jale nunca la cortadora hacia atrás, hacia usted, mientras esté caminando. Si debe hacer retroceder la cortadora para alejarla de una pared o una obstrucción, mire primero hacia abajo y detrás de usted para evitar tropezar, y luego siga estos pasos:
 - Dé un paso hacia atrás respecto a la cortadora para extender completamente los brazos.
 - Asegúrese de estar bien equilibrado con un apoyo seguro de los pies
 - Jale la cortadora lentamente hacia atrás, no más de la mitad del recorrido hacia usted.
 - Repita estos pasos según sea necesario.
- No utilice la cortadora mientras esté bajo la influencia de alcohol o drogas.
- Manténgase alerta: Fijese en lo que está haciendo. Use el sentido común. No utilice la cortadora de césped cuando esté cansado.
- La agarradera de control del motor/la cuchilla es un dispositivo de seguridad. No intente nunca anular su funcionamiento. Al hacer esto se hace que el dispositivo de seguridad se vuelva inoperativo y es posible que cause lesiones corporales a través del contacto con la cuchilla que rota. La agarradera de control del motor/la cuchilla debe funcionar fácilmente en ambos sentidos y regresar automáticamente a la posición desacoplada al soltarla.

- Evite los entornos peligrosos: No use cortadoras de césped en lugares húmedos o mojados, para evitar resbalar y caer durante su utilización.
- Esté siempre seguro del apoyo de los pies. Un resbalón y una caída pueden causar lesiones corporales graves. Si le siente que está perdiendo el apoyo de los pies, suelte de inmediato la agarradera de control del motor/la cuchilla y la cuchilla dejará de rotar en tres segundos o menos.
- Corte césped solo en luz diurna o buena luz artificial. Camine, no corra nunca, mientras esté utilizando la cortadora.
- Pare la cuchilla cuando cruce entradas de garaje, caminos o carreteras de grava.
- Si el equipo empezara a vibrar anómalamente, pare inmediatamente el motor, retire el paquete de batería y busque la causa. La vibración es generalmente una advertencia de problemas.
- No utilice nunca la cortadora sin el escudo trasero, la cubierta de descarga, la bolsa de pasto, el inserto de trituración, el conducto lateral de descarga, la agarradera de control del motor/la cuchilla u otros dispositivos protectores de seguridad adecuados colocados en la posición correcta y funcionando. No utilice nunca la cortadora con dispositivos de seguridad dañados. Si no se hace así el resultado puede ser lesiones corporales.
- Pare siempre el motor antes de hacer ajustes a una rueda o un ajuste de la altura de corte.
- Si ocurren situaciones que no estén cubiertas en este manual, tenga cuidado y aplique un criterio sensato. Póngase en contacto con Servicio al Cliente de SKIL para obtener asistencia.
- Utilice solo el cargador suministrado por el fabricante para recargar.
- No cargue el paquete de batería a la intemperie.
- No cargue el paquete de batería en la lluvia ni en lugares mojados.
- Utilice la cortadora de césped solo con un paquete de batería designado específicamente. Es posible que el uso de cualquier otra batería cree un riesgo de incendio.
- Utilice la unidad solo con los paquetes de batería y los cargadores que se indican a continuación.

Batería	Cargador
BY8705-00 BY8708-00	SC5364-00 SC5376C-00

Utilización en una pendiente:

Las pendientes son un factor importante relacionado con los accidentes por resbalones y caídas, los cuales pueden causar lesiones graves. La utilización en pendientes requiere precaución adicional. Si se siente intranquilo en una pendiente, no corte el césped en ella. Por su seguridad, utilice el calibre de pendientes de este manual para medir las pendientes antes de utilizar esta unidad en un área con pendiente o colinas. Si la pendiente es de más de 15 grados, no corte el césped en ella.

Haga lo siguiente:

- Corte el césped transversalmente a la cara de las pendientes; no lo corte nunca hacia arriba y hacia abajo. Tenga suma precaución cuando cambie de sentido en pendientes.
- Esté atento a la presencia de agujeros, surcos, rocas, objetos ocultos o baches que pueden hacer que usted resbale o tropiece. El pasto alto puede ocultar obstáculos.

No haga lo siguiente:

- No corte el césped cerca de desniveles, zanjas o terraplenes; podría perder el apoyo de los pies o el equilibrio.

- No corte el césped en pendientes de más de 15 grados, tal y como se muestra en el calibre de pendientes.
- No corte el césped si el pasto está mojado. Un apoyo inestable de los pies podría causar un resbalón.

Servicio de ajustes y reparaciones

⚠ ADVERTENCIA Los componentes de la bolsa de pasto, la cubierta de descarga, el conducto lateral de descarga, el inserto de trituración y el escudo trasero están sujetos a desgaste y daños, lo cual podría dejar al descubierto las piezas móviles o permitir que se lancen objetos al aire, con lo cual se podría aumentar el riesgo de lesiones. Por protección de seguridad, compruebe frecuentemente todos los componentes y reemplace inmediatamente los componentes dañados por piezas de repuesto idénticas. Póngase en contacto con Servicio al Cliente de SKIL para obtener asistencia.

- Retire o desconecte el paquete de batería antes de hacer servicio de ajustes y reparaciones, realizar limpieza o retirar material de la cortadora de césped.
- No lave la cortadora con una manguera; evite que entre agua en el motor y en las conexiones eléctricas.
- Antes de limpiar la máquina apague el motor, espere hasta que la cuchilla se detenga por completo y luego retire el paquete de batería. La cuchilla de corte continúa rotando durante unos segundos después de apagar el motor. No ponga nunca ninguna parte del cuerpo en el área de la cuchilla hasta que esté seguro de que la cuchilla haya dejado de rotar. Luego, elimine las obstrucciones del conducto o retire o reemplace la bolsa de pasto o el inserto de trituración.
- Siga las instrucciones de lubricación y cambio de accesorios.
- Mantenga las agarraderas, secas, limpias y libres de aceite y grasa.
- Para reducir un peligro de incendio, mantenga la cubierta del motor libre de pasto, hojas y acumulación de residuos.
- Compruebe los pernos de montaje de la cuchilla y del motor a intervalos frecuentes para determinar si están correctamente apretados. Además, inspeccione visualmente la cuchilla para determinar si está dañada (p. ej., doblada, agrietada y desgastada.). Reemplace la cuchilla solo por la cuchilla de repuesto idéntica.
- Mantenga la cortadora con cuidado: Mantenga la cuchilla de la cortadora afilada y limpia para obtener el mejor y más seguro rendimiento. Las cuchillas de la cortadora están afiladas y pueden cortar. Envuelva la cuchilla o use guantes y tenga precaución adicional cuando le haga servicio de ajustes y reparaciones.
- Mantenga todas las tuercas, pernos y tornillos apretados para asegurarse de que el equipo esté en condiciones de funcionamiento seguro.
- No retire ni manipule indebidamente nunca los dispositivos de seguridad. Compruebe regularmente si funcionan correctamente. No haga nunca nada para interferir con la función prevista de un dispositivo de seguridad ni para reducir la protección ofrecida por un dispositivo de seguridad.
- Después de golpear un objeto extraño, pare el motor, retire el paquete de batería, espere a que la cuchilla deje de rotar e inspeccione minuciosamente la cortadora para determinar si tiene algún daño. Repare el daño antes de utilizar la cortadora.
- Retire la batería y almacene la cortadora de césped inactiva en un área cubierta cuando no se esté utilizando. Deje que el motor se enfríe antes de almacenarlo en cualquier lugar cerrado. La cortadora de césped se deberá almacenar en un lugar cerrado, seco, elevado o cerrado con llave, fuera del alcance de los niños.
- Mantenga o reemplace las etiquetas de seguridad e instrucciones según sea necesario.
- No incinere el electrodoméstico incluso si está severamente dañado. Las baterías pueden explotar en un fuego.

- No exponga un paquete de batería o una herramienta a un fuego o a una temperatura excesiva. Es posible que la exposición a un fuego o a una temperatura superior a 212 °F (100 °C) cause una explosión.
- Cuando realice servicio de ajustes y reparaciones, utilice únicamente piezas de repuesto idénticas. Es posible que el uso de piezas que no cumplan con las especificaciones del equipo original cause un rendimiento incorrecto y ponga en peligro la seguridad.
- **GUARDE ESTAS INSTRUCCIONES.** Consúltelas frecuentemente y úselas para instruir a otras personas que puedan utilizar esta herramienta. Si le presta esta herramienta a otra persona, préstele también estas instrucciones para evitar un uso incorrecto del producto y posibles lesiones.





¡GUARDE ESTAS INSTRUCCIONES!

SÍMBOLOS

Símbolos de seguridad

El objetivo de los símbolos de seguridad es captar su atención ante posibles peligros. Los símbolos de seguridad y las explicaciones que se dan merecen su atención y comprensión cuidadosa. Las advertencias del símbolo no eliminan por sí mismas ningún peligro. Las instrucciones y las advertencias que se dan no son sustitutos de las medidas adecuadas de prevención de accidentes.

⚠️ ADVERTENCIA Asegúrese de leer y de comprender todas las instrucciones de seguridad en este manual del propietario, incluidos todos los símbolos de alerta de seguridad como **“PELIGRO”**, **“ADVERTENCIA”** y **“PRECAUCIÓN”** antes de usar esta herramienta. El incumplimiento de las siguientes instrucciones puede provocar descargas eléctricas, incendios y/o lesiones personales graves.

Las definiciones que se ofrecen a continuación describen el nivel de gravedad de cada símbolo. Lea el manual y preste atención a dichos símbolos.	
	Este es el símbolo de advertencia de seguridad. Se utiliza para advertirlo de los peligros de posibles lesiones personales. Cumpla con todos los mensajes de seguridad a continuación de este símbolo para evitar posibles lesiones o consecuencias fatales.
	PELIGRO indica una situación de peligro que, de no evitarse, ocasionará la muerte o lesiones graves.
	ADVERTENCIA indica una situación potencialmente peligrosa que, de no evitarse, puede ocasionar la muerte o lesiones graves.
	PRECAUCIÓN, se usa con el símbolo de advertencia de seguridad e indica una situación peligrosa que, de no evitarse, puede causar lesiones menores o moderadas.

Mensajes de prevención de daños e información

Estos mensajes informan al usuario sobre informaciones y/o instrucciones importantes que, de no seguirse, pueden causar daños al equipo o la propiedad. Antes de cada mensaje, aparece la palabra “AVISO”, como en el ejemplo a continuación:




AVISO: Si no se siguen estas instrucciones se pueden producir daños al equipo o la propiedad.









⚠️ ADVERTENCIA Durante el funcionamiento de cualquier herramienta eléctrica, pueden entrar objetos extraños a los ojos y causar graves daños oculares. Use siempre lentes o gafas de seguridad con protecciones laterales y, cuando sea necesario, un protector facial que cubra todo el rostro antes de comenzar a operar una herramienta eléctrica. Recomendamos usar una máscara de seguridad de visión amplia sobre los lentes o las gafas de seguridad estándar con protección lateral. Siempre use lentes de protección que cumplan con la norma ANSI Z87.1.

SÍMBOLOS (CONTINUACIÓN)

IMPORTANTE: Algunos de los siguientes símbolos pueden aparecer en sus herramientas. Obsérvelos y conozca su significado. La interpretación correcta de estos símbolos le permitirá utilizar la herramienta de manera eficaz y segura.

Símbolo	Nombre	Designación/Explicación
V	Voltios	Voltaje (potencial)
A	Amperios	Corriente
Hz	Hertz	Frecuencia (ciclos por segundo)
W	Vatios	Potencia
kg	Kilogramos	Peso
min	Minutos	Tiempo
s	Segundos	Tiempo
Wh	Vatio por horas	Capacidad de la batería
Ah	Amperios por hora	Capacidad de la batería
∅	Diámetro	Tamaño de las brocas para taladro, piedras de amolar, etc.
n_0	Velocidad sin carga	Velocidad de rotación sin carga
n	Rango de velocidad	Velocidad máxima alcanzable
.../min	Revoluciones o pasadas por minuto	Revoluciones, pasadas, velocidad de superficie, órbitas, etc. por minuto
IPX4	Grado de protección contra la penetración	Protección contra las salpicaduras de agua
➔	Flecha	Acción en la dirección de la flecha
~	Corriente alterna	Tipo o característica de corriente
— — —	Corriente directa	Tipo o característica de corriente
	Mantenga los dispositivos de seguridad	No abra ni retire los escudos de seguridad mientras la herramienta esté en funcionamiento.
	Mire hacia atrás cuando retroceda	Mire primero hacia abajo y hacia atrás para evitar tropezar al retroceder.
	PELIGRO: Mantenga alejadas a las personas que estén presentes	No corte césped cuando haya cerca niños u otras personas.

Símbolo	Nombre	Designación/Explicación
	<p>PELIGRO: Mantenga alejadas las manos y los pies</p>	<p>Para reducir el riesgo de lesiones, mantenga las manos y los pies alejados de las piezas que rotan. No utilice la cortadora a menos que la cubierta de descarga o la bolsa de pasto estén en la posición correcta. En caso de daños, se deben reemplazar de inmediato.</p>
	<p>PELIGRO: Residuos lanzados al aire</p>	<p>Retire los objetos que puedan ser lanzados al aire por la cuchilla en cualquier sentido. Use anteojos de seguridad.</p>
	<p>PELIGRO: Riesgo de pendiente pronunciada</p>	<p>Tenga precaución adicional en las pendientes. No corte el césped en pendientes de más de 15 grados.</p>
	<p>Sello de iones de litio de RBRC</p>	<p>Designa el programa de reciclaje de baterías de iones de litio</p>
	<p>Símbolo de lectura del manual</p>	<p>Indica al usuario que lea el manual</p>
	<p>Símbolo de use de lentes de protección</p>	<p>Use siempre anteojos de seguridad y gafas de seguridad con escudos laterales y una careta completa cuando utilice este producto.</p>

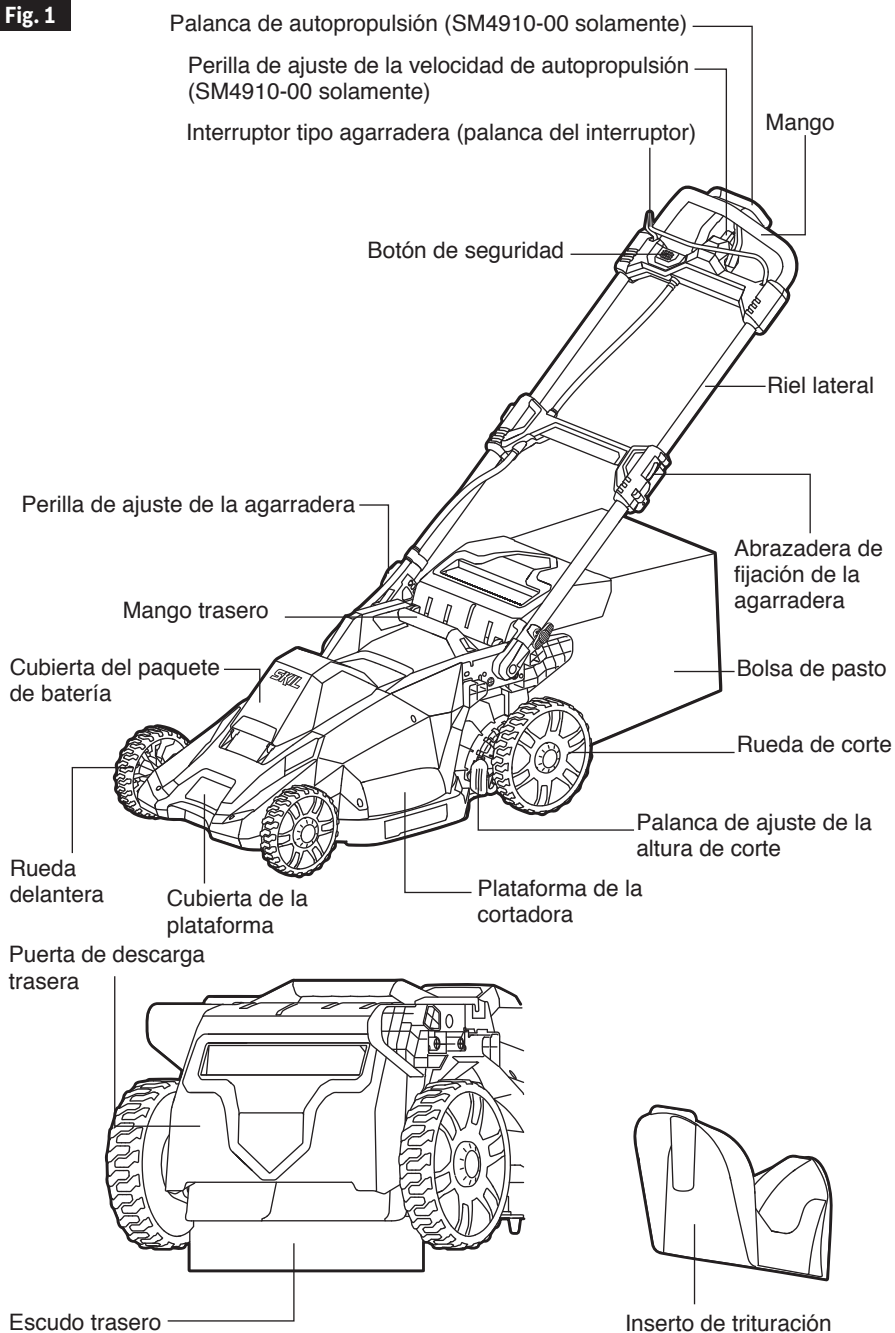
SÍMBOLOS (INFORMACIÓN DE CERTIFICACIÓN)

IMPORTANTE: Puede que algunos de los siguientes símbolos aparezcan en sus herramientas. Obsérvelos y aprenda su significado. La interpretación correcta de estos símbolos le permitirá utilizar la herramienta de manera eficaz y más segura.

Símbolo	Designación/Explicación
	Este símbolo designa que esta herramienta está incluida en la lista de Underwriters Laboratories.
	Este símbolo designa que esta componente es reconocida por Underwriters Laboratories.
	Este símbolo designa que esta herramienta está incluida en la lista de Underwriters Laboratories, conforme a las normas de Estados Unidos y Canadá.
	Este símbolo designa que esta herramienta está incluida en la lista de Canadian Standards Association.
	Este símbolo designa que esta herramienta está incluida en la lista de Canadian Standards Association, conforme a las normas de Estados Unidos y Canadá.
	Este símbolo designa que esta herramienta está incluida en la lista de Intertek Testing Services, conforme a las normas de Estados Unidos y Canadá.
	Este símbolo designa que esta herramienta cumple con las normas NOM de México.

FAMILIARÍCESE CON SU CORTADORA DE CÉSPED

Fig. 1



ESPECIFICACIONES

Núm. de modelo	PM4910-00	SM4910-00
Sistema de autopropulsión	No	Sí
Tensión nominal	40 V C.C.	
Velocidad sin carga	2600 RPM	
Altura de corte	1-1/2 ~ 4 pulgadas	
Posiciones de la altura de corte	7 posiciones	
Tamaño de la plataforma	20 pulgadas (510 mm)	
Volumen de la bolsa de pasto	1,7 fanegas (60 l)	
Temperatura de funcionamiento recomendada	32~104 °F (0~40 °C)	
Temperatura de almacenamiento recomendada	32~104 °F (0~40 °C)	

ACCESORIO

⚠ ADVERTENCIA La siguiente pieza está sujeta a desgastarse por causa del uso normal. Utilice únicamente las piezas de repuesto idénticas que se indican a continuación. Es posible que el uso de piezas que no cumplan con las especificaciones del equipo original cause un rendimiento inadecuado y ponga en peligro la seguridad.

Número de pieza	Número de modelo
Cuchilla de cortadora de césped de 20 pulgadas	SMB2000

Botón de seguridad

Se debe presionar el botón de seguridad antes de que se pueda arrancar el motor.

Interruptor tipo agarradera

El interruptor tipo agarradera está ubicado en la agarradera superior de la cortadora. El interruptor acopla y desacopla el motor/la cuchilla.

⚠ ADVERTENCIA El interruptor tipo agarradera y el botón de seguridad son dispositivos de seguridad. No intente nunca anular sus operaciones.

Palanca de autopropulsión (modelo SM4910-00 solamente)

ENCIENDE y APAGA la función de autopropulsión.

Perilla de ajuste de la velocidad de autopropulsión (modelo SM4910-00 solamente)

Aumenta o reduce la velocidad de autopropulsión girando la perilla de ajuste.

Abrazadera de fijación de la agarradera

Bloquea/desbloquea los rieles laterales en la posición extendida o retraída.

Rieles laterales

Se pueden extender y bloquear para la utilización o retraer para el almacenamiento.

Perilla de ajuste de la agarradera

Bloquea/desbloquea la posición de la agarradera cuando se ajusta el ángulo de la agarradera de la cortadora:

1. Posición de almacenamiento bloqueada
2. Posición de funcionamiento superior
3. Posición de funcionamiento central
4. Posición de funcionamiento inferior

Escudo trasero y puerta de descarga trasera

El escudo trasero está diseñado para minimizar que la cuchilla de la cortadora lance hacia atrás al aire piedras y otros objetos. El escudo y la puerta de descarga trasera minimizan la posibilidad de contacto accidental de los pies con la cuchilla. NO utilice la cortadora sin tener colocados el escudo trasero y la puerta de descarga trasera.

Palanca de ajuste de la altura de corte accionada por resorte

Ajuste de la altura de corte con una mano.

ENSAMBLAJE

⚠ ADVERTENCIA Para prevenir un arranque accidental que podría causar lesiones corporales graves, retire siempre el paquete de batería de la herramienta cuando ensamble piezas, haga ajustes, realice limpieza o cuando no se esté utilizando.

⚠ ADVERTENCIA No intente modificar esta herramienta ni crear accesorios no recomendados para utilizarse con esta herramienta. Cualquiera de dichas alteraciones o modificaciones constituye un uso incorrecto y podría provocar una situación peligrosa que cause posibles lesiones graves.

⚠ ADVERTENCIA No utilice aditamentos ni accesorios no recomendados por el fabricante de este producto. El uso de aditamentos o accesorios no recomendados puede causar lesiones corporales graves.

Desempaquetado

- Saque primero todos los accesorios de la caja de cartón, luego agarre tanto la parte delantera de la cubierta de la plataforma como la agarradera trasera al mismo tiempo para levantar cuidadosamente la cortadora hasta sacarla de la caja de cartón.
- Inspeccione detenidamente el producto para asegurarse de que no hayan ocurrido roturas ni daños durante el transporte.
- No deseche el material de embalaje hasta que haya inspeccionado detenidamente y utilizado satisfactoriamente la cortadora.
- Si alguna pieza está dañada o falta, sírvase devolver la cortadora al lugar de compra.

Ensamblaje de la bolsa de pasto

1. Compruebe la bolsa de pasto antes de ensamblarla, para asegurarse de que no tenga daños.
2. Retire los tubos de protección de caucho para los ganchos de la bolsa de pasto (Fig. 2).
3. Deslice la bolsa de pasto sobre el armazón (Fig. 2).
4. Ensamble los clips superiores en el armazón (Fig. 3) y luego ensamble los dos clips laterales. Ensamble el clip inferior en último lugar.
5. La bolsa de polvo completamente ensamblada se muestra en la Fig. 4.

Fig. 2

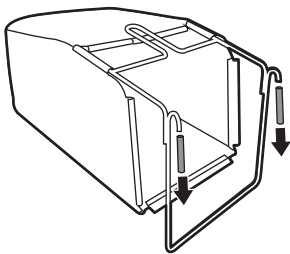


Fig. 3

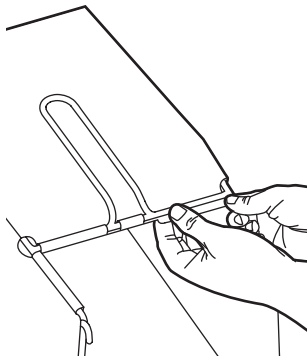
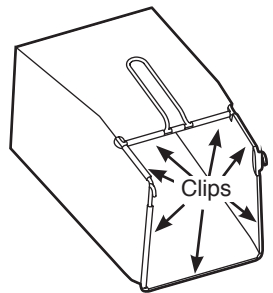


Fig. 4



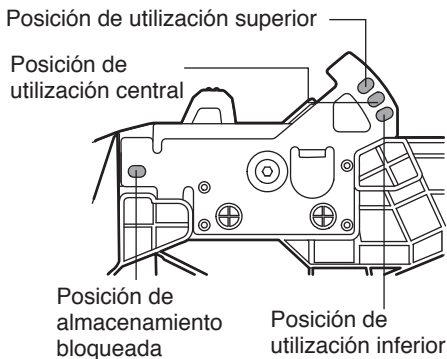
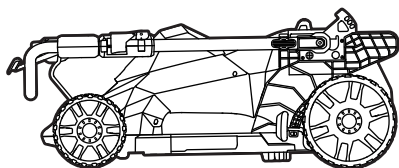
Ajuste la agarradera plegable

ADVERTENCIA

No intente arrancar la cortadora hasta que la agarradera se haya bloqueado en una de las tres posiciones de utilización preestablecidas.

1. **Posición de almacenamiento bloqueada:** La cortadora se envía con la agarradera en la posición compacta bloqueada (Fig. 5).

Fig. 5



2. **Posición de utilización superior:** Gire las dos perillas de ajuste de la agarradera hasta la posición de desbloqueo (Fig. 6). Levante la agarradera con una mano y luego pivote suavemente la agarradera hacia atrás hasta la posición de utilización superior. Gire las dos perillas de ajuste de la agarradera de vuelta hasta la posición bloqueada (Fig. 6) y asegúrese de que el pasador de fijación se haya acoplado en la posición de utilización superior. Abra las dos abrazaderas de fijación de la agarradera y extienda completamente los rieles laterales (Fig. 7). Cierre firmemente las dos abrazaderas de fijación de la agarradera (Fig. 8). Es posible que los usuarios más altos prefieran esta posición.

Fig. 6

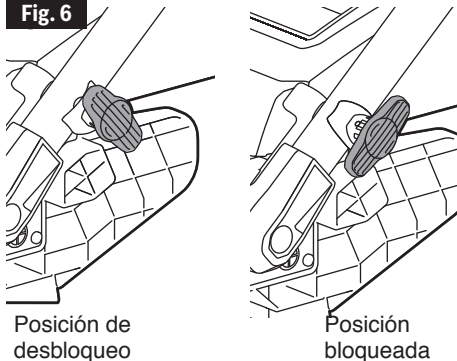


Fig. 7

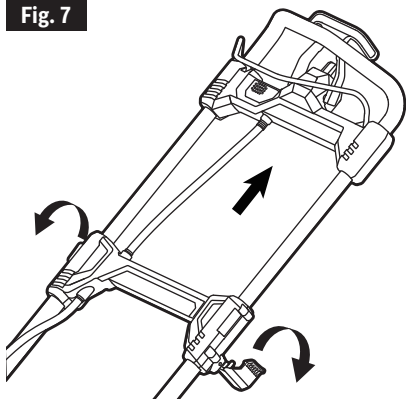
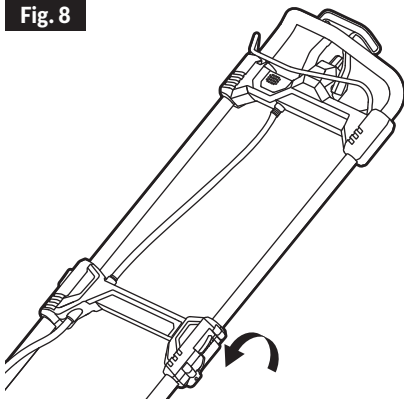


Fig. 8



3. **Posición de utilización central:** Gire las dos perillas de ajuste de la agarradera hasta la posición de desbloqueo. Pivote suavemente la agarradera hacia abajo hasta la posición de utilización central. Gire las dos perillas de ajuste de la agarradera de vuelta hasta la posición bloqueada y asegúrese de que el pasador de fijación se haya acoplado en la posición de utilización central. Abra las dos abrazaderas de fijación de la agarradera y extienda completamente los rieles laterales. Cierre firmemente las dos abrazaderas de fijación de la agarradera.
4. **Posición de utilización inferior:** Gire las dos perillas de ajuste de la agarradera hasta la posición de desbloqueo. Pivote suavemente la agarradera hacia abajo hasta la posición de utilización inferior. Gire las dos perillas de ajuste de la agarradera de vuelta hasta la posición bloqueada y asegúrese de que el pasador de fijación se haya acoplado en la posición de utilización inferior. Abra las dos abrazaderas de fijación de la agarradera y extienda completamente los rieles laterales. Cierre firmemente las dos abrazaderas de fijación de la agarradera.

NOTA: El motor no se puede arrancar a menos que:

- a) Los rieles laterales estén completamente extendidos.
- b) Ambas abrazaderas de fijación de la agarradera estén firmemente cerradas.
- c) La agarradera esté fija en una de las tres posiciones de utilización.

Instale/retire la bolsa de pasto

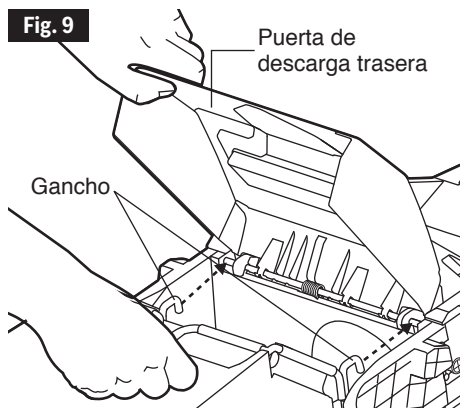
⚠ ADVERTENCIA No intente en ningún momento hacer ningún ajuste a la cortadora de césped sin primero parar el motor, retirar el paquete de batería y esperar a que la cuchilla deje de rotar.

AVISO: Retire el inserto de trituración antes de instalar la bolsa de pasto en la cortadora.

1. Retire el paquete de batería.
2. Ajuste la agarradera en la posición de almacenamiento bloqueada.
3. Levante la puerta de descarga trasera.
4. Enganche el ensamblaje de la bolsa de pasto en la varilla pivote (Fig. 9). Suelte la puerta de descarga de manera que descance sobre la bolsa de pasto.
5. Para retirar la bolsa de pasto, levante la puerta de descarga trasera de la cortadora. Levante la bolsa de paso hasta separarla de la varilla pivote.
6. Suelte la puerta de descarga.

⚠ ADVERTENCIA Cuando use la bolsa de pasto, no utilice nunca la cortadora, a menos que los ganchos de la bolsa de pasto estén firmemente asentados sobre la varilla pivote y la puerta de descarga trasera descance firmemente contra la parte superior de la bolsa de pasto.

⚠ ADVERTENCIA Bajo uso normal, el material de la bolsa está sujeto a desgaste. Para reducir el riesgo de lesiones, inspeccione frecuentemente el ensamblaje de la bolsa y reemplácelo si hay cualquier señal de desgaste o deterioro. Use solo bolsas de pasto fabricadas para esta cortadora.

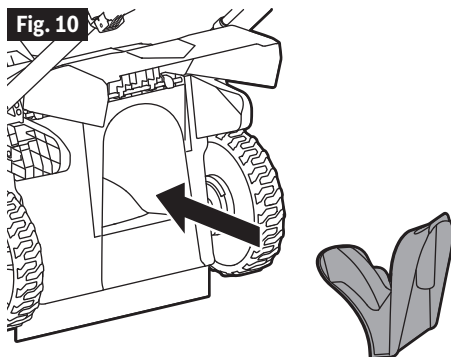


Instale/retire el inserto de trituración

⚠ ADVERTENCIA No intente hacer ningún ajuste a la cortadora de césped sin primero parar el motor, retirar el paquete de batería y esperar a que la cuchilla deje de rotar.

1. Retire la batería.
2. Levante la puerta de descarga trasera.
3. Agarre la agarradera del inserto de trituración e insértela completamente en la cortadora, de manera que quede firmemente asentada (Fig. 10).
4. Para retirar el accesorio de trituración, levante la puerta de descarga trasera, agarre la agarradera del accesorio de trituración y jálala hacia fuera.
5. Suelte la puerta de descarga y asegúrese de que descansa firmemente contra el accesorio de trituración.

AVISO: El accesorio de trituración se debe retirar para instalar y utilizar la bolsa de pasto.



INSTRUCCIONES DE UTILIZACIÓN

⚠ ADVERTENCIA Para reducir el riesgo de incendio, lesiones corporales y daños al producto debido a un cortocircuito, no sumerja nunca la herramienta, el paquete de batería o el cargador en un líquido ni deje que un líquido fluya dentro de ellos. Los líquidos corrosivos, tales como agua del mar, ciertas sustancias químicas industriales y el blanqueador o los productos que contienen blanqueador, etc., pueden causar un cortocircuito.

⚠ ADVERTENCIA Si alguna pieza está dañada o falta, no utilice este producto hasta que las piezas sean reemplazadas. El uso de este producto con piezas dañadas o si le faltan piezas podría causar lesiones corporales graves.

⚠ ADVERTENCIA Use siempre protección de los ojos con escudos laterales marcados para cumplir con la norma ANSI Z87.1. Si no se hace así, el resultado podría ser que se lancen objetos hacia los ojos del operador y otras posibles lesiones graves.

⚠ ADVERTENCIA No deje que la familiaridad con este producto le haga descuidarse. Recuerde que una fracción de segundo de descuido es suficiente para causar lesiones graves.

Antes de cada uso, inspeccione todo el producto para determinar si hay piezas dañadas, faltantes o flojas, tales como tornillos, tuercas, pernos, tapas, etc. Apriete firmemente todos los sujetadores y todas las tapas, y no utilice este producto hasta que todas las piezas que falten o estén dañadas hayan sido reemplazadas.

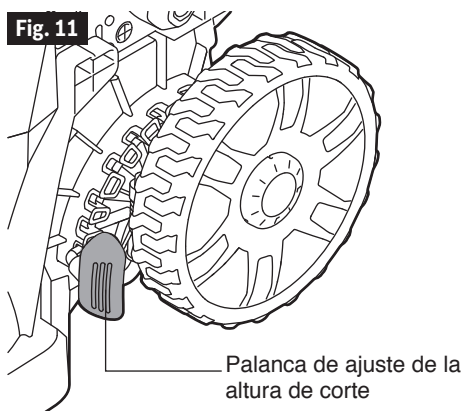
Ajuste de la altura de corte (Fig. 11)

⚠ ADVERTENCIA No intente en ningún momento hacer ningún ajuste a la cortadora de césped sin primero parar el motor, retirar el paquete de batería y esperar a que la cuchilla deje de rotar.

⚠ ADVERTENCIA Mantenga los pies alejados de la plataforma cuando ajuste su altura.

La cortadora se puede ajustar a cualquiera de 7 alturas de corte entre 1-1/2 pulgadas y 4 pulgadas. Escoja la altura de corte adecuada según el tipo de pasto y su estado.

1. Use una mano para agarrar el tubo de la agarradera cercano con el fin de obtener estabilidad y use la otra mano para mover la palanca de ajuste de la altura de corte hacia fuera de las ranuras ubicadas en la placa de indicación de la altura de corte.
2. Mueva la palanca de ajuste de la altura de corte hacia la parte trasera de la cortadora para obtener una altura de corte más elevada; muévela hacia la parte delantera de la cortadora para obtener una altura de corte más baja.
3. Una vez que llegue a la posición de altura de corte deseada, acople la palanca de ajuste de la altura de corte de vuelta en la ranura.



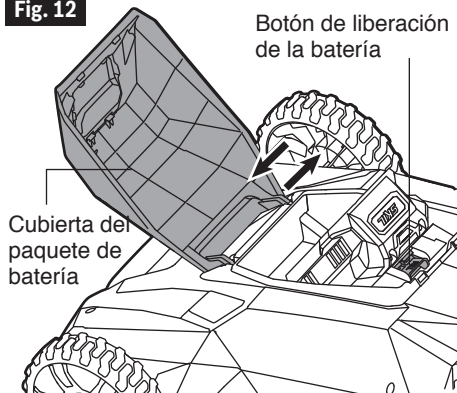
Instalar/desinstalar el paquete de batería (Fig. 12)

Fig. 12

⚠ ADVERTENCIA Las herramientas a batería están siempre en condiciones de funcionamiento. Por lo tanto, retire la batería cuando ensamble piezas, haga ajustes, realice limpieza, cuando la herramienta no se esté utilizando o cuando la transporte a su lado. Al retirar el paquete de batería se evitará un arranque accidental que podría causar lesiones corporales graves.

1. La cubierta del paquete de batería está embisagrada. Suba la cubierta del paquete de batería levantando la parte delantera de dicha cubierta.
2. Alinee las ranuras del paquete de batería con las costillas en relieve del compartimiento de la batería de la cortadora. Luego, inserte el paquete de batería en el compartimiento.
3. Empuje el paquete de batería hasta que oiga un “clic”. El botón de liberación de la batería saltará por resorte hacia arriba cuando el paquete de batería esté firmemente instalado.
4. Para desinstalar el paquete de batería, presione el botón de liberación de la batería y luego levante el paquete hasta sacarlo del compartimiento.
5. Cierre la cubierta del paquete de batería.

AVISO: Asegúrese de que el pestillo ubicado en la cortadora se acople a presión en la posición correcta y que el paquete de batería esté fijo en la cortadora antes de comenzar a utilizarla.



Arranque/pare la cortadora

⚠ ADVERTENCIA La utilización de cualquier cortadora de césped puede hacer que se lancen objetos extraños hacia los ojos del operador o de otras personas, lo cual puede dañar gravemente los ojos. Use siempre anteojos de seguridad mientras esté utilizando la cortadora o cuando realice cualquier ajuste o reparación a la misma.

⚠ ADVERTENCIA Asegúrese de que otras personas y los animales domésticos permanezcan a una distancia de al menos a 100 pies (30 m) de la cortadora cuando se esté utilizando.

⚠ ADVERTENCIA La cuchilla continuará rotando durante unos segundos después de apagar la cortadora. Deje que el motor/la cuchilla se detenga antes de arrancar de nuevo la cortadora. No la apague y encienda rápidamente.

⚠ PRECAUCIÓN No intente anular el funcionamiento del botón de seguridad ni del interruptor tipo agarradera.

AVISO: El motor no se puede arrancar a menos que:

- Los rieles laterales estén completamente extendidos.
- Ambas abrazaderas de fijación de la agarradera estén firmemente cerradas.
- La agarradera esté bloqueada en una de las tres posiciones de utilización.

Para arrancar la cortadora (Fig. 13)

1. Instale el paquete de batería en la cortadora y cierre la cubierta del paquete de batería.
2. Presione el botón de seguridad.
3. Con el botón de seguridad presionado, jale hacia arriba el interruptor tipo agarradera para que se encuentre con la agarradera. La cortadora arrancará.
4. Suelte el botón de seguridad.

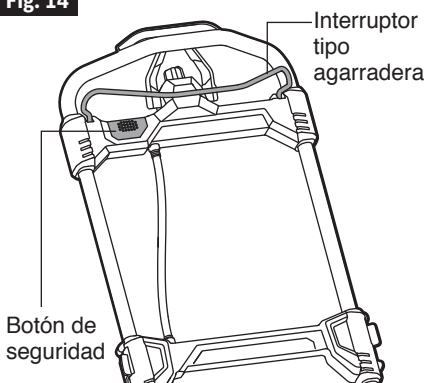
Para detener la cortadora (Fig. 14)

1. Suelte completamente el interruptor tipo agarradera.
2. El freno eléctrico detendrá la rotación de la cuchilla en 3 segundos o menos después de soltar el interruptor tipo agarradera.

Fig. 13



Fig. 14



Sistema de autopropulsión (modelo SM4910-00 solamente)

La cortadora SM4910-00 está equipada con una función de autopropulsión. Este sistema es independiente del interruptor de encendido y apagado de la cuchilla y no depende de la rotación de la cuchilla. Por ejemplo, cuando haya terminado de cortar el césped, puede usar la autopropulsión para propulsar la cortadora de vuelta a su ubicación de almacenamiento sin que la cuchilla rote. También puede escoger utilizar la cortadora como máquina no autopropulsada para maximizar el tiempo de funcionamiento de la batería.

Para utilizar el sistema de autopropulsión

sin rotación de la cuchilla, jale la palanca de autopropulsión hasta la agarradera.

Para apagar la autopropulsión, suelte el gatillo de autopropulsión (Fig. 15).

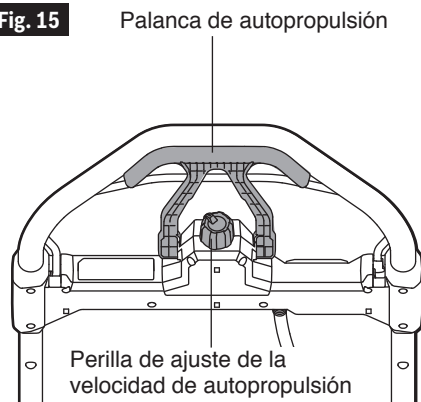
El sistema tiene una perilla de ajuste de la velocidad.

Rote la perilla para ajustar la velocidad de autopropulsión de la cortadora según sus necesidades.

Palanca de autopropulsión

Perilla de ajuste de la velocidad de autopropulsión

Fig. 15



Para utilizar la cortadora con la cuchilla rotando para cortar:

1. Presione el botón de seguridad.
2. Con el botón de seguridad presionado, hale hacia arriba el interruptor tipo agarradera hasta la agarradera y suelte el botón de seguridad.
3. Mantenga el interruptor tipo agarradera contra la agarradera con una mano. Jale la palanca de autopropulsión hasta la agarradera con la otra mano.
4. Con una mano, mantenga tanto el interruptor tipo agarradera como la palanca de autopropulsión contra la agarradera y use la otra mano para ajustar la perilla de ajuste de la velocidad de autopropulsión para escoger la velocidad deseada.

AVISO: Cuando apague la autopropulsión, por ejemplo al final de una fila, es posible que se bloquee temporalmente si usted jala la cortadora hacia atrás. Simplemente empujela ligeramente hacia delante y luego muévala según se requiera.

AVISO: Durante el corte, es posible que a veces sea más fácil cortar alrededor de un objeto, con la autopropulsión apagada.

⚠ ADVERTENCIA Para reducir el riesgo de lesiones, no intente nunca anular el funcionamiento del interruptor ni del sistema de autopropulsión. Utilice la autopropulsión solo para su finalidad prevista.

Consejos para cortar césped

AVISO: Una cuchilla afilada aumentará enormemente el rendimiento de la cortadora, especialmente al cortar pasto alto. Asegúrese de comprobar si la cuchilla está afilada antes de cortar.

- Verifique que el césped esté libre de piedras, palos, alambres y otros objetos que podrían dañar la cortadora de césped o el motor. Dichos objetos podrían ser lanzados accidentalmente al aire por la cortadora en cualquier dirección y podrían causar lesiones corporales graves al operador y a otras personas.

⚠ ADVERTENCIA Si golpea un objeto extraño, pare el motor y retire la batería. Inspeccione minuciosamente la cortadora para determinar si tiene algún daño y repare el daño antes de rearmar y utilizar la cortadora. Una vibración excesiva de la cortadora durante su utilización es una indicación de daños. La unidad deberá ser inspeccionada y reparada de inmediato.

- Para obtener los mejores resultados, no corte el césped en círculos. Desplácese hacia atrás y hacia delante transversalmente al césped.
- Cuando corte pasto grueso, reduzca la velocidad a la que camina para permitir un corte más eficaz y una descarga adecuada del pasto cortado.
- Para mantener un césped saludable, corte solo un tercio o menos de la longitud total del pasto. El césped medio deberá tener una longitud de aproximadamente 1-1/2 a 2 pulgadas durante los meses fríos y entre 2 y 3-1/4 pulgadas durante los meses calientes.

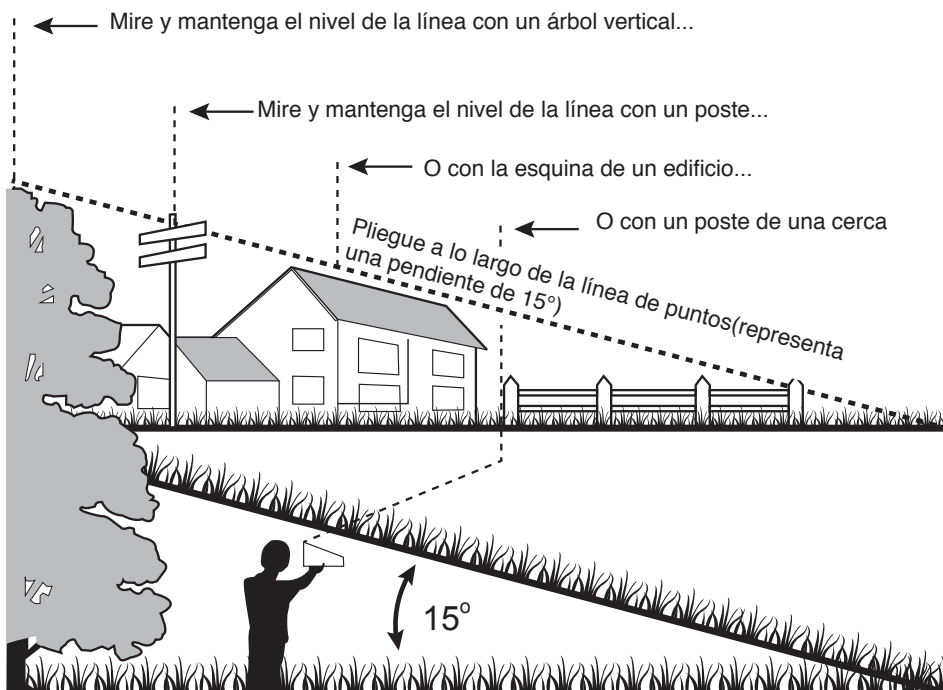
⚠ ADVERTENCIA Retire siempre el paquete de batería de la cortadora después de acabar el trabajo.

Calibre de pendientes (Fig. 16)

⚠ ADVERTENCIA No corte el césped en una pendiente que tenga un ángulo mayor de 15° (una elevación de aproximadamente 2-1/2 pulgadas (0,75 m) cada 10 pies (3 m)). Corte el césped transversalmente a la cara de una pendiente y nunca hacia arriba y hacia abajo.

Utilice la Fig. 16 como guía para identificar las pendientes en las que no se puede cortar el césped de manera segura.

Fig. 16



Consejos para triturar

⚠ ADVERTENCIA Inspeccione el área en la que se va a utilizar la cortadora y retire todas las piedras, palos, alambres y otros residuos que podrían ser lanzados al aire por la cuchilla mientras esté rotando.

- Suelte el interruptor para detener la rotación de la cuchilla de la cortadora cuando cruce áreas con grava; una cuchilla que esté rotando puede lanzar piedras al aire.
- Ajuste la cortadora a la altura de corte más alta cuando corte césped en terreno desigual o pasto alto.
- Para realizar una tritutación eficaz, no corte pasto mojado; este tiende a adherirse a la parte inferior de la plataforma, con lo cual impide una tritutación adecuada del pasto cortado. El mejor momento para cortar el pasto es a última hora de la tarde, cuando el pasto está seco y el área recién cortada no estará expuesta a la luz solar directa.
- Para obtener el mejor rendimiento de tritutación, ajuste la altura de corte para retirar aproximadamente un tercio de la longitud de una brizna de pasto, idealmente no más de 1-1/2 pulgadas a la vez. Si el pasto está demasiado alto, es posible que sea necesario

aumentar la altura de corte para facilitar la operación de corte y para evitar sobrecargar el motor. Reduzca el ritmo de corte en condiciones de pasto alto o grueso. Para triturar pasto sumamente grueso o alto, es aconsejable cortar primero a un ajuste elevado de la altura de corte y luego cortar de nuevo con la altura de corte final. De lo contrario, haga cortes más estrechos y corte el césped lentamente. ASEGÚRESE SIEMPRE DE QUE LA CUCHILLA ESTÉ AFILADA.

⚠ ADVERTENCIA

Retire siempre el paquete de batería de la cortadora después de acabar el trabajo.

MANTENIMIENTO

⚠ ADVERTENCIA Para evitar lesiones corporales graves, retire siempre el paquete de batería de la herramienta antes de hacer limpieza o realizar cualquier mantenimiento.

⚠ ADVERTENCIA Cuando haga servicio de ajustes y reparaciones, utilice únicamente piezas de repuesto idénticas. El uso de cualquier otra pieza podría crear un peligro o causar daños al producto.

Inspeccione periódicamente todo el producto para determinar si hay piezas dañadas, si faltan piezas o si hay piezas flojas, tales como tornillos, tuercas, pernos, tapas, etc. Apriete firmemente todos los sujetadores y todas las tapas y no utilice este producto hasta que todas las piezas que falten o estén dañadas se hayan reemplazado. Sírvase contactar a servicio al cliente o un centro de servicio autorizado para obtener asistencia.

Contacte a un Centro de Servicio de Fábrica SKIL o una Estación de Servicio SKIL Autorizada para obtener ayuda.

Limpieza de la cortadora

⚠ ADVERTENCIA Retire siempre el paquete de batería de la herramienta cuando haga limpieza o realice cualquier mantenimiento.

El lado inferior de la plataforma de la cortadora se deberá limpiar después de cada uso, ya que se acumulará pasto cortado, cuchillas, suciedad y otros residuos. Esta acumulación es indeseable, ya que promoverá la formación de óxido y la corrosión.

Retire toda acumulación de pasto y hojas en o alrededor del eje de transmisión de la rueda trasera (solamente en la cortadora autopropulsada) y el ventilador del motor (no use agua). Limpie la cortadora con un paño húmedo.

⚠ ADVERTENCIA No deje en ningún momento que líquidos de frenos, gasolina, productos a base de petróleo, aceites penetrantes, etc., entren en contacto con piezas de plástico. Las sustancias químicas pueden dañar, debilitar o destruir el plástico, lo cual puede causar lesiones corporales graves.

Remoción de la cuchilla

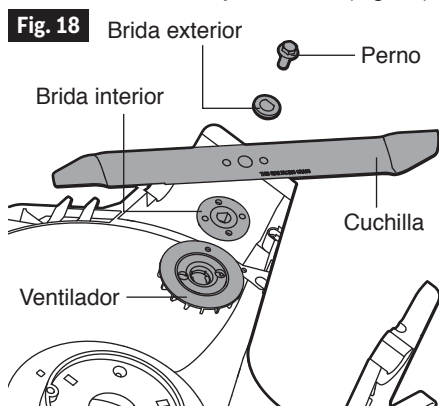
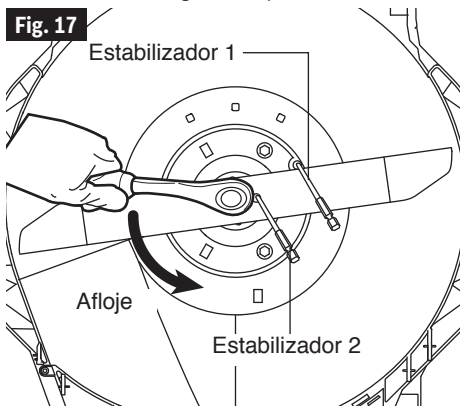
⚠ ADVERTENCIA Protéjase siempre las manos usando guantes gruesos o envolviendo los bordes de corte con trapos u otros materiales cuando realice cualquier mantenimiento en la cuchilla de la cortadora. Retire siempre el paquete de batería cuando realice servicio de ajustes y reparaciones o transporte la cortadora.

AVISO: Las siguientes herramientas (no incluidas con la cortadora) se requieren para reemplazar la cuchilla:

- Llave de tuerca de 9/16 de pulgada (14 mm)
 - Llave de torsión
 - Destornillador manual o varilla metálica con un diámetro de 5/16 de pulgada (8 mm)
 - Destornillador manual o varilla metálica con un diámetro de 1/4 de pulgada (6,35 mm) o menos.
1. Pare el motor; retire el paquete de batería de la cortadora.
 2. Voltee la cortadora sobre uno de sus lados.
 3. Mientras usa guantes protectores, coloque una varilla metálica (p. ej., una broca atornilladora de 3,5 pulgadas de longitud) con un diámetro de 5/16 de pulgada (8 mm) en el agujero de fijación arreglo para que actúe como estabilizador.

AVISO: Si el perno rota con el eje del motor al aflojar el perno, gire a mano el ventilador para alinear los agujeros pasantes ubicados en el ventilador con los agujeros ubicados en la cuchilla y coloque otra varilla metálica (p. ej., una broca atornilladora de 3,5 pulgadas de longitud) con un diámetro de menos de 1/4 de pulgada (6,35 mm) en los agujeros alineados para que actúe como otro estabilizador (Fig. 17).

4. Use una llave de tuerca de 9/16 de pulgada (14 mm) para girar el perno de la cuchilla en sentido contrario al de las agujas del reloj con el fin de aflojarlo.
5. Mientras usa guantes protectores, retire el perno, la brida exterior y la cuchilla (Fig. 18).

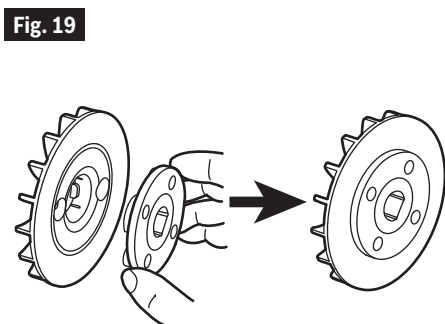


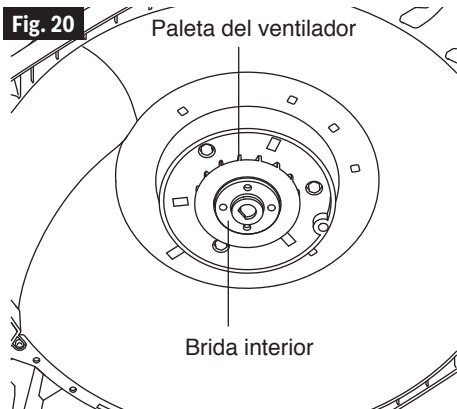
Instalación de la cuchilla

⚠ ADVERTENCIA Protéjase siempre las manos usando guantes gruesos o envolviendo los bordes de corte con trapos u otros materiales cuando realice cualquier mantenimiento en la cuchilla de la cortadora. Retire siempre el paquete de batería cuando realice servicio de ajustes y reparaciones o transporte la cortadora.

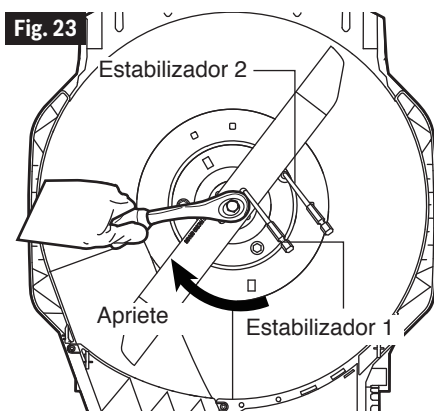
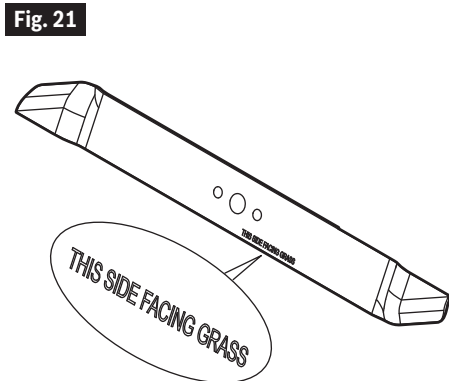
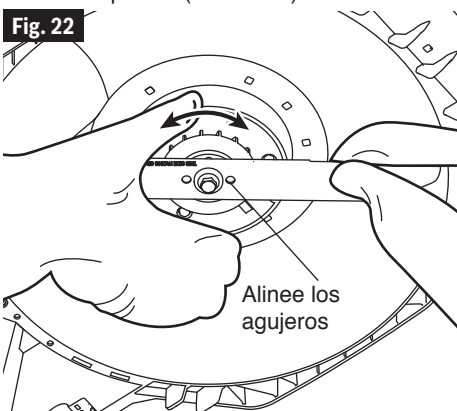
AVISO: Para reinstalar o reemplazar la cuchilla, asegúrese de reemplazar las piezas exactamente en el orden en que se retiraron (Fig. 18).

1. Monte la brida interior en el ventilador (Fig. 19).
2. Monte el ventilador y la brida interior en el eje del motor con la paleta del ventilador orientada hacia la plataforma (Fig. 20).
3. Mientras usa guantes protectores, posicione la cuchilla sobre la brida interior con la superficie marcada con las palabras "THIS SIDE FACING GRASS" (ESTE LADO ORIENTADO HACIA EL PASTO) orientadas hacia el exterior (Fig. 21).





4. Alinee la brida exterior con el eje y realice el ensamblaje en la posición correcta.
5. Monte el perno en el eje y gírelo en el sentido de las agujas del reloj con la mano para preapretarlo.
6. Mientras aún esté usando guantes protectores, sostenga la cuchilla con una mano y gire el ventilador con la otra mano para alinear los agujeros de la cuchilla con los agujeros pasantes de la brida interior (Fig. 22).
7. Coloque una varilla metálica (p. ej., una broca atornilladora de 3,5 pulgadas de longitud) con un diámetro de menos de 1/4 de pulgada (6,35 mm) en los agujeros alineados para que actúe como estabilizador. Coloque otra varilla metálica (p. ej., una broca atornilladora de 3,5 pulgadas de longitud) con un diámetro de 5/16 de pulgada (8 mm) en el agujero de fijación para que actúe como otro estabilizador (Fig. 23).
8. Utilice una llave de torsión de 9/16 de pulgada (14 mm) para apretar el perno en el sentido de las agujas del reloj. La fuerza de torsión recomendada para el perno de la cuchilla es 36~43 pies-lb (49-59 Nm).



Afilado de la cuchilla

⚠ ADVERTENCIA

Protéjase siempre las manos usando guantes gruesos o envolviendo los bordes de corte con trapos u otros materiales cuando realice cualquier mantenimiento en la cuchilla de la cortadora. Retire siempre el paquete de batería cuando realice servicio de ajustes y reparaciones o transporte la cortadora.

⚠ ADVERTENCIA

Use protección adecuada de los ojos mientras retire, afile e instale la cuchilla.

⚠ ADVERTENCIA

Una cuchilla desgastada, agrietada o dañada puede romperse y los pedazos de la cuchilla dañada se pueden convertir en proyectiles peligrosos. Los objetos lanzados al aire pueden causar lesiones graves. Inspeccione la cuchilla regularmente y no utilice la cortadora con una cuchilla desgastada o dañada.

AVISO: Mantenga la cuchilla afilada para obtener el mejor rendimiento de la cortadora de césped. Una cuchilla desafilada no corta el pasto de manera limpia ni tritura correctamente.

Una cuchilla desafilada se puede afilar, pero una cuchilla que esté excesivamente desgastada, doblada, agrietada o dañada de alguna otra manera se debe reemplazar. Una cuchilla desgastada o dañada se puede romper y con ello hacer que pedazos de la cuchilla sean lanzados al aire desde la cortadora.

Si se comprueba que las cuchillas están dobladas, lleve la cortadora de césped a un centro de servicio SKIL autorizado para que sea inspeccionada.

Frecuencia de afilado

Afilar la cuchilla dos veces durante una temporada de corte de césped dos veces generalmente es suficiente en circunstancias normales. La arena hace que la cuchilla se desafilé rápidamente; si su césped tiene terreno arenoso, es posible que sea necesario afilar la cuchilla con más frecuencia.

Cuando afile la cuchilla:

- Asegúrese de que la cuchilla permanezca equilibrada.
- Afile la cuchilla con el ángulo de corte original.
- Afile los bordes de corte en ambos extremos de la cuchilla, retirando una cantidad igual de material en cada extremo.

Para afilar la cuchilla en una prensa de tornillo:

1. Retire la cuchilla de la cortadora.
2. Sujete firmemente la cuchilla en una prensa de tornillo (Fig. 24).
3. Use protección adecuada de los ojos y guantes adecuados, y tenga cuidado de no cortarse.
4. Lime cuidadosamente los bordes de corte de la cuchilla con una lima de dientes finos o una piedra de afilar, manteniendo el ángulo original del borde de corte.
5. Para comprobar el equilibrio de la cuchilla: sujete con abrazaderas un clavo o un destornillador con vástago redondo en posición horizontal. Posicione la cuchilla de manera que el clavo o el vástago redondo del destornillador soporte la cuchilla a través de su agujero central. Equilibre la cuchilla horizontalmente. Si cualquiera de los extremos de la cuchilla rota hacia abajo, retire un poco de metal del extremo más pesado o inferior hasta que la cuchilla esté equilibrada. Está equilibrada cuando ninguno de los dos extremos desciende (Fig. 25).

Fig. 24

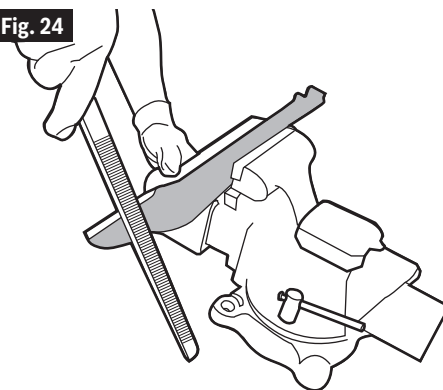
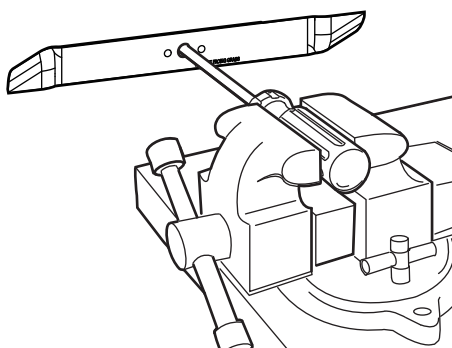


Fig. 25



6. Reemplace la cuchilla en la cortadora y apriétela firmemente.

⚠ ADVERTENCIA

Una cuchilla desequilibrada causará una vibración excesiva cuando rote a alta velocidad. Es posible que cause daños a la cortadora y se podría romper y con ello causar lesiones corporales.

Reemplazo de las ruedas

⚠ ADVERTENCIA

Retire siempre el paquete de batería cuando realice servicio de ajustes y reparaciones o transporte la cortadora.

1. Voltee la cortadora sobre uno de sus lados con la superficie superior contra una pared.
2. Utilice un destornillador de cuchilla plana para hacer palanca en la cubierta antipolvo y alejarla de la rueda.
3. Utilice una llave de tuerca ajustable o de 1/2 pulgada (13 mm) para girar el perno en sentido contrario al de las agujas del reloj con el fin de aflojarlo.

Para la rueda delantera (Fig. 26) y para la rueda trasera de una cortadora de césped que no tenga autopropulsión (Fig. 27):

4. Retire el perno, la rueda desgastada y el eje de la rueda.
5. Monte la rueda nueva en el eje de la rueda. Tenga presente que el entrante redondo debe estar orientado hacia fuera.
6. Fije la rueda con el perno apretando dicho perno en el sentido de las agujas del reloj.
7. Monte la cubierta antipolvo sobre la rueda y presiónela en la posición correcta.

Fig. 26

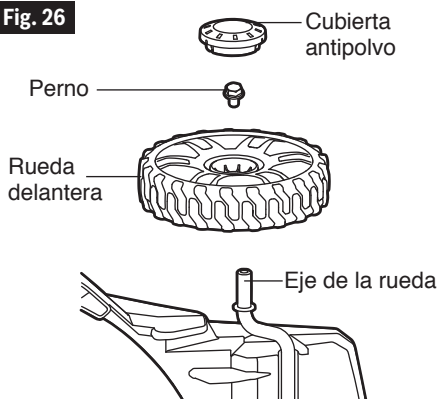
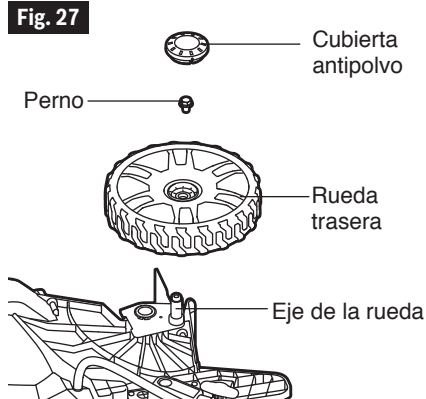


Fig. 27

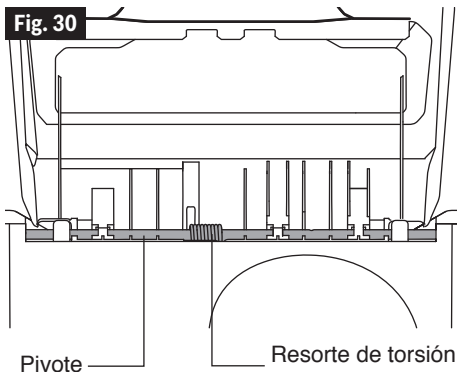
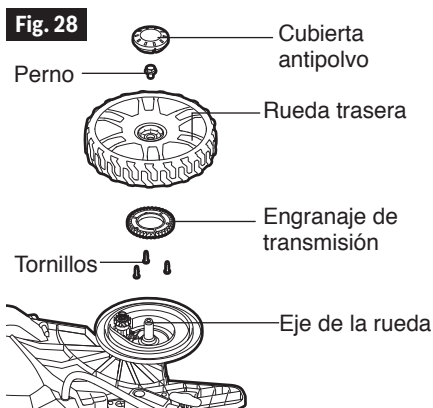
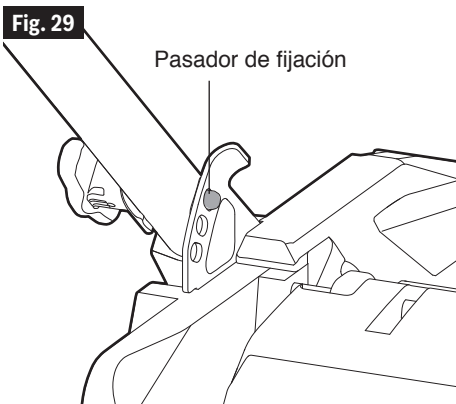


Para la rueda trasera de la cortadora de césped autopropulsada (Fig. 28), retire el engranaje de transmisión de la rueda desgastada y realice el ensamblaje en la rueda nueva con los 3 tornillos.

Lubricación

Lubrique la unidad con aceite ligero siguiendo las instrucciones que aparecen a continuación, al menos una vez cada temporada.

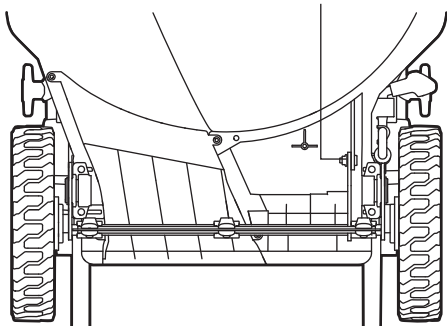
- Lubrique periódicamente el pasador de fijación ubicado en la perilla de ajuste de la agarradera (Fig. 29), el resorte de torsión y el pivote de la puerta de descarga trasera (Fig. 30) con aceite ligero para prevenir la formación de óxido.



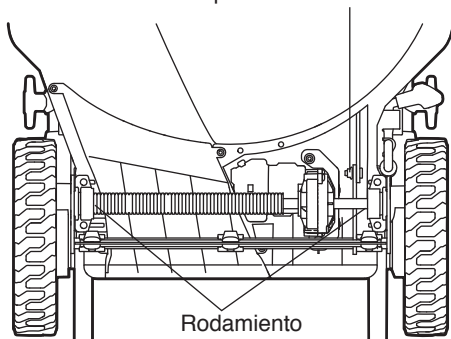
- Lubrique el agujero central de la rueda (o el eje de la rueda) con aceite ligero cuando la rueda parezca obstaculizada durante la utilización de la cortadora.
- Coloque la cortadora en la posición de almacenamiento bloqueada y retire la batería:
 1. Mueva la palanca de ajuste de la altura de corte hacia la parte delantera y acóplela en el ajuste más bajo.
 2. Abra las abrazaderas de fijación de la agarradera y retraiga completamente los rieles laterales hasta la posición compacta.
 3. Gire la perilla de ajuste de la agarradera para liberar la agarradera.
 4. Pivote suavemente la agarradera hacia la parte delantera de la cortadora; gire la palanca de ajuste de la agarradera para bloquear la agarradera en la posición de almacenamiento bloqueada. Asegúrese de que el pasador de fijación se haya acoplado en la posición de almacenamiento bloqueada.
- Coloque la cortadora plegada en posición vertical sobre el terreno (Fig. 31 y 32).
 1. Lubrique la junta de ajuste de la altura de la plataforma.
 2. Para una cortadora autopropulsada, lubrique los rodamientos del eje de transmisión cerca de las ruedas traseras (Fig. 32).

Fig. 31

Junta de ajuste de la altura de la plataforma

**Fig. 32**

Junta de ajuste de la altura de la plataforma



Reemplazo del escudo trasero

⚠ ADVERTENCIA

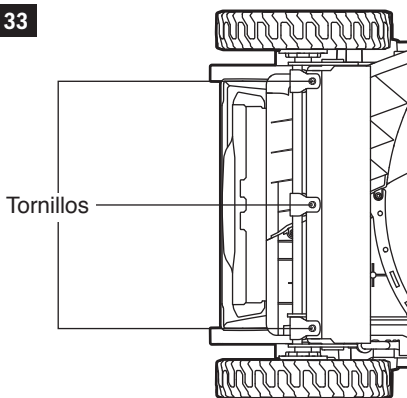
Retire siempre el paquete de batería cuando realice servicio de ajustes y reparaciones o transporte la cortadora.

⚠ ADVERTENCIA

No utilice nunca la cortadora a menos que el escudo trasero esté en la posición correcta y funcionando. No utilice nunca la cortadora con dispositivos de seguridad dañados. Si no se hace así, el resultado puede ser lesiones corporales.

El escudo trasero está sujeto a desgaste y daños, lo cual podría dejar al descubierto las piezas móviles o dejar que se lancen objetos al aire. Por protección de seguridad, compruebe frecuentemente el escudo trasero y reemplácelo inmediatamente solo con la pieza de repuesto idéntica. Contacte a un centro de servicio SKIL para obtener asistencia.

1. Retire la batería.
2. Voltee la cortadora sobre uno de sus lados con la superficie superior contra una pared.
3. Retire los tres tornillos con un destornillador y luego retire el escudo trasero (Fig. 33).
4. Reemplácelo con un escudo trasero nuevo.

Fig. 33

Almacenamiento de la cortadora

Se deben realizar los siguientes pasos para preparar la cortadora de césped para almacenarla.

1. Retire el paquete de batería de la cortadora y almacénelo a temperatura ambiente en un lugar seco.
2. Limpie la cortadora tal y como se describe anteriormente en la sección de mantenimiento.
3. Inspeccione la cuchilla y reemplácela o afílela si se requiere.
4. Lubrique la cortadora.
5. Almacene la cortadora en un lugar seco y limpio. No la almacene cerca de materiales corrosivos, tales como fertilizante o sal de roca.

6. Almacene la cortadora en un espacio cubierto y cerrado, que esté fresco y seco y fuera del alcance de los niños.
7. No cubra la cortadora de césped con una lámina de plástico macizo. Las cubiertas de plástico atrapan la humedad alrededor de la cortadora, lo cual causa formación de óxido y corrosión.

El ensamblaje de la agarradera se puede plegar para retirarlo completamente con fines de almacenamiento:

1. Retire la bolsa de pasto.
2. Mueva la palanca de ajuste de la altura de corte hacia la parte delantera y acóplela en la posición más baja.
3. Abra las abrazaderas de fijación de la agarradera y retraiga completamente los rieles laterales hasta la posición compacta.
4. Pivote suavemente la agarradera hacia la parte delantera de la cortadora; gire la perilla de ajuste de la agarradera para bloquear la agarradera en la posición de almacenamiento bloqueada. Asegúrese de que el pasador de fijación se haya acoplado en la posición de almacenamiento bloqueada.
5. Almacene la cortadora en posición vertical u horizontal (Fig. 34a y 34b).

Fig. 34a

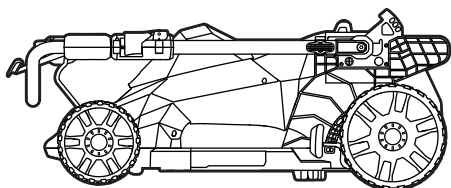
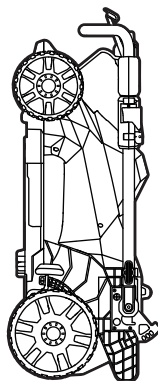


Fig. 34b



⚠ ADVERTENCIA Si la cortadora se inclina desde la posición vertical, es posible que el resultado sea daños a la misma o lesiones corporales. Mantenga siempre la cortadora estable y fuera del alcance de los niños cuando esté en posición vertical. Si es posible, acuéstela para almacenarla.

RESOLUCIÓN DE PROBLEMAS

Problema	Causa	Remedio
<p>La cortadora no arranca.</p>	<ol style="list-style-type: none"> 1. El paquete de batería está agotado. 2. El paquete de batería no está montado en la posición correcta en el compartimiento de la batería. 3. La batería o la cortadora están demasiado calientes. 4. Los rieles laterales no están extendidos hasta su longitud máxima y las abrazaderas no está bloqueadas en la posición correcta. 5. La agarradera no está ajustada en una de las tres posiciones de utilización. 6. La plataforma de la cortadora está obstruida con pasto y residuos. 	<ol style="list-style-type: none"> 1. Cargue el paquete de batería. 2. Instale el paquete de batería en la cortadora; presiónelo hasta que oiga un clic. 3. Apague la cortadora y retire el paquete de batería de la misma. Deje que la batería y la cortadora se enfríen. 4. Extienda completamente la agarradera y bloquee abrazaderas. 5. Ajuste la agarradera en una de las tres posiciones de utilización. 6. Apague la cortadora y retire el paquete de batería de la misma. Limpie la plataforma de la cortadora y asegúrese de que la cuchilla tenga libertad de movimiento.
<p>La cortadora corta de manera desigual.</p>	<ol style="list-style-type: none"> 1. La cuchilla está desafilada. 2. La altura de corte no está ajustada adecuadamente. 3. La cuchilla está ensamblada incorrectamente. 	<ol style="list-style-type: none"> 1. Afile o reemplace la cuchilla. 2. Mueva la altura de la plataforma a un ajuste más alto. 3. Reensamble la cuchilla, siguiendo la sección "INSTALACIÓN DE LA CUCHILLA" de este manual.

Problema	Causa	Remedio
La cortadora se detiene durante la operación de corte.	<ol style="list-style-type: none"> 1. El paquete de batería está agotado. 2. La cortadora está en estado de sobrecarga. 3. La plataforma de la cortadora está obstruida con pasto y residuos. 4. La batería o la cortadora están demasiado calientes. 5. El riel lateral es retraído un poco por la fuerza de empuje que se aplica sobre la agarradera. 	<ol style="list-style-type: none"> 1. Cargue el paquete de batería. 2. Suba la altura de corte o reduzca el ritmo de corte de césped. 3. Apague la cortadora y retire el paquete de batería de la misma. Desobstruya la plataforma de la cortadora. Suba la altura de corte o corte una hilera estrecha. 4. Apague la cortadora y retire el paquete de batería de la misma. Deje que la batería y la cortadora se enfrien. 5. Desbloquee las abrazaderas. Extienda completamente los rieles laterales y bloquee de nuevo las abrazaderas.
La cortadora no tritura correctamente.	<ol style="list-style-type: none"> 1. El pasto cortado mojado se está adhiriendo al lado inferior de la plataforma. 2. La cortadora está ajustada para cortar demasiado pasto de una vez. 	<ol style="list-style-type: none"> 1. Elimine el pasto acumulado y espere a que el pasto se seque antes de cortarlo. 2. Suba la plataforma hasta una posición de altura de corte más alta.
Hay vibración excesiva.	<ol style="list-style-type: none"> 1. La cuchilla de corte está floja. 2. La cuchilla de corte está desequilibrada. 3. La cuchilla de corte está doblada. 	<ol style="list-style-type: none"> 1. Apriete el perno de la cuchilla. 2. Equilibre la cuchilla siguiendo las instrucciones. 3. Reemplace la cuchilla.
Las abrazaderas de fijación de la agarradera no se pueden cerrar en la posición correcta.	<ol style="list-style-type: none"> 1. Los rieles laterales no están completamente extendidos. 	<ol style="list-style-type: none"> 1. Extienda completamente los rieles laterales y luego bloquee las abrazaderas.
Es difícil jalar hacia atrás la cortadora cuando la autopropulsión esté apagada.	<ol style="list-style-type: none"> 1. Las ruedas están bloqueadas temporalmente. 	<ol style="list-style-type: none"> 1. Simplemente empuje ligeramente hacia delante y luego mueva la cortadora según lo desee.

Problema	Causa	Remedio
El motor funciona pero la cuchilla no corta el pasto.	1. La cuchilla no está apretada con la fuerza de torsión requerida.	1. Reapriete la cuchilla. La fuerza de torsión recomendada para el perno de la cuchilla es 36-43 pies-lb (49-59 Nm).
Tiempo de funcionamiento corto de la cortadora con la batería incluida.	1. Las condiciones del pasto y el ajuste de la altura de corte afectarán enormemente al tiempo de funcionamiento de la batería.	1. Suba la altura de la cuchilla y disminuya su ritmo para reducir la carga de corte.

GARANTÍA LIMITADA PARA HERRAMIENTA SKIL

5 AÑO DE GARANTÍA LIMITADA

Chervon North America, Inc. ("Vendedor") garantiza únicamente al comprador original que ninguna HERRAMIENTA SKIL del consumidor presentará defectos en los materiales ni la mano de obra durante un período de cinco años a partir de la fecha de compra si el comprador original registra el producto dentro de los 30 días de realizada la compra. Las BATERÍAS y los CARGADORES tienen una garantía de 2 años. El registro del producto se puede completar en línea en www.Registermyskil.com. Los compradores originales también deben conservar el recibo como comprobante de compra. EL PERÍODO DE GARANTÍA DE CINCO AÑOS PARA HERRAMIENTAS ESTÁ CONDICIONADA POR EL REGISTRO DEL PRODUCTO DENTRO DE LOS 30 DÍAS DE REALIZADA LA COMPRA. Si los compradores originales no registran el producto de manera oportuna, se aplicará la garantía limitada anterior durante tres años para las herramientas eléctricas. Todas las baterías y los cargadores permanecerán bajo la garantía limitada de dos años.

No obstante lo señalado anteriormente, si se usa una herramienta SKIL del consumidor para fines industriales, profesionales o comerciales, se aplicará la garantía anterior durante noventa días, sin considerar el registro.

LA ÚNICA OBLIGACIÓN DEL VENDEDOR Y SU ÚNICA SOLUCIÓN en virtud de esta garantía limitada y, en la medida en que lo permita la ley, cualquier garantía o condición implícita por la ley, será la reparación o el reemplazo, sin cargo, de las piezas que presentan defectos en el material o la mano de obra y que no se hayan usado de manera incorrecta, que no se hayan manejado sin la debida atención o que las hayan reparado personas que no sean el Vendedor o una estación de servicio autorizada. Para exponer un reclamo en virtud de esta garantía limitada, debe devolver el producto completo, con el transporte prepagado, a cualquier centro de servicio de la fábrica SKIL o a cualquier estación de servicio autorizada. Para comunicarse con las estaciones de servicio autorizadas de Skil para reparar su herramienta eléctrica, visite www.Registermyskil.com o llame al 1-877-SKIL-999 (1-877-754-5999).

ESTA GARANTÍA NO CUBRE LAS PIEZAS Y LOS CONSUMIBLES DE MANTENIMIENTO DE RUTINA QUE SE PUEDEN DESGASTAR COMO RESULTADO DEL USO NORMAL DENTRO DEL PERÍODO DE GARANTÍA, LO CUAL INCLUYE HOJAS, CABEZALES DE ORILLADORA, ESPADAS DE MOTOSIERRA, CADENAS DE SIERRA, CORREAS, BARRAS RASCADORAS Y BOQUILLAS DE SOPLADOR.

TODA GARANTÍA IMPLÍCITA APLICABLE A UN PRODUCTO DEBE ESTAR LIMITADA A LA MISMA DURACIÓN QUE LA DURACIÓN DE LAS GARANTÍAS EXPRESAS APLICABLES A DICHO PRODUCTO, SEGÚN SE ESTABLECIÓ EN EL PRIMER PÁRRAFO. ALGUNOS ESTADOS EN ESTADOS UNIDOS Y ALGUNAS PROVINCIAS EN CANADÁ NO PERMITEN LIMITACIONES SOBRE EL TIEMPO DE DURACIÓN DE UNA GARANTÍA IMPLÍCITA, DE MODO QUE LA LIMITACIÓN ANTES DESCRITA PUEDE QUE NO SE APLIQUE A USTED.

ESTA GARANTÍA NO CUBRE LOS DAÑOS RESULTANTES DE UNA MODIFICACIÓN, UNA ALTERACIÓN O UNA REPARACIÓN NO AUTORIZADA.

BAJO NINGUNA CIRCUNSTANCIA, EL VENDEDOR SERÁ RESPONSABLE DE DAÑOS ACCIDENTALES O RESULTANTES (INCLUIDA ENTRE OTRAS, LA RESPONSABILIDAD POR PÉRDIDA DE GANANCIAS) QUE SE ORIGINEN DE LA VENTA O EL USO DE ESTE PRODUCTO. ALGUNOS ESTADOS EN ESTADOS UNIDOS Y ALGUNAS PROVINCIAS EN CANADÁ NO PERMITEN LA EXCLUSIÓN O LIMITACIÓN DE DAÑOS ACCIDENTALES O RESULTANTES, DE MODO QUE LA LIMITACIÓN O EXCLUSIÓN ANTERIOR PUEDE QUE NO SE APLIQUE A USTED.

ESTA GARANTÍA LIMITADA LE OTORGA DERECHOS LEGALES ESPECÍFICOS, Y ES POSIBLE QUE TAMBIÉN TENGA OTROS DERECHOS QUE VARIAN DE UN ESTADO A OTRO EN ESTADOS UNIDOS, DE UNA PROVINCIA A OTRA EN CANADÁ Y DE UN PAÍS A OTRO.

ESTA GARANTÍA LIMITADA SE APLICA SOLAMENTE A PRODUCTOS VENDIDOS EN ESTADOS UNIDOS DE AMÉRICA, CANADÁ Y EL COMMONWEALTH DE PUERTO RICO. PARA TENER UNA COBERTURA DE GARANTÍA EN OTROS PAÍSES, PÓNGASE EN CONTACTO CON SU DISTRIBUIDOR O IMPORTADOR DE SKIL.

© Chervon North America, 1203 E. Warrenville Rd, Naperville, IL 60563.