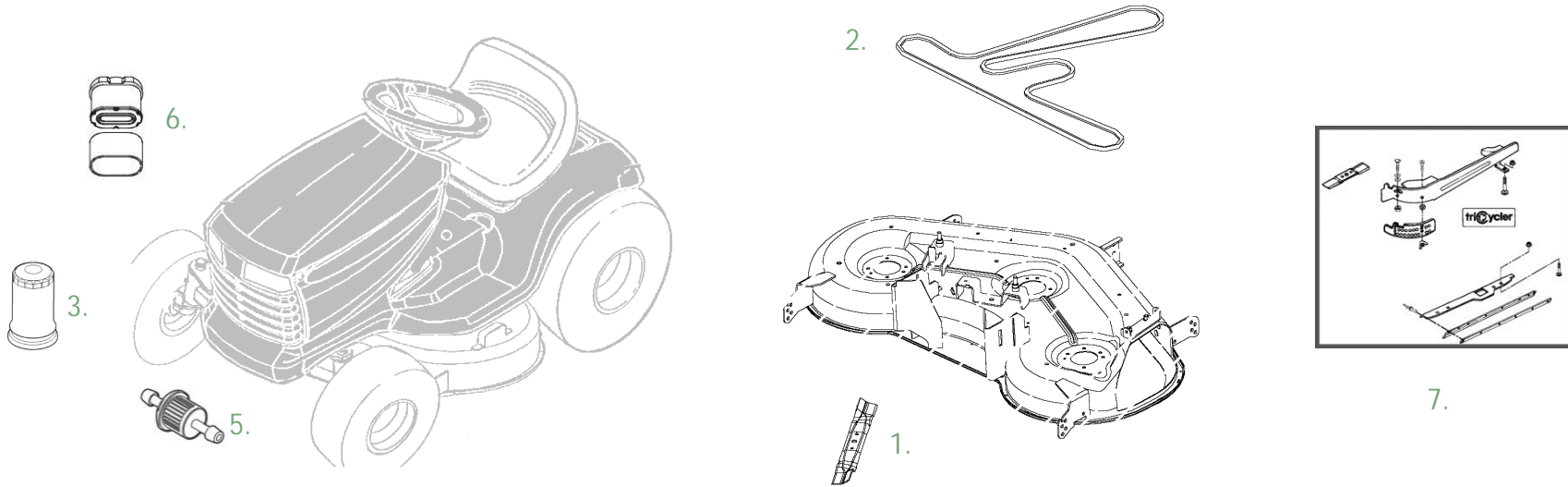


# John Deere S180 Lawn Tractor

## Parts and Maintenance Information



Key	Description	Part Number	Lowe's Item #
1.	54-inch Mower Blade (3-pack)	GY20679	311958
2.	54-inch Mower Deck Belt	GX21395	317703
3.	John Deere Easy Change™	AUC12916	924091
4.	Oil – As Needed	TY22029	48763
5.	Fuel Filter	GY20709	228878
6.	Air Filter	GY21057	291810
7.	Mulch Kit	BG20304	652451

# John Deere S180 Lawn Tractor

## Parts and Maintenance Information

- Service Intervals

After 8 Hours	Yearly or Every 50 Hours (Whichever Comes First)
Lubricate mower spindles and pivot points.	Change engine oil & replace filter. (Service more frequently under dusty conditions.)
Check mower deck spindle brakes (Manual PTO)	Clean/replace air filter precleaner & element. (Service more frequently under dusty conditions.)
Lubricate front axle pivot and axle spindles.	Replace fuel filter.
Lubricate front axle wheel bushings.	Sharpen/replace mower blades.
Every 25 Hours	Check/replace mower drive belt.
Lubricate mower spindles and pivot points.	Every 200 Hours
Lubricate front axle pivot and axle spindles.	Check/adjust valve clearance. See your John Deere dealer for this service.
Lubricate front axle wheel bushings.	

For complete parts information for 100 Series Tractors: Visit your local John Deere Dealer or [www.Deere.com](http://www.Deere.com)

\*Refer to Operators Manual for a complete listing of service intervals.