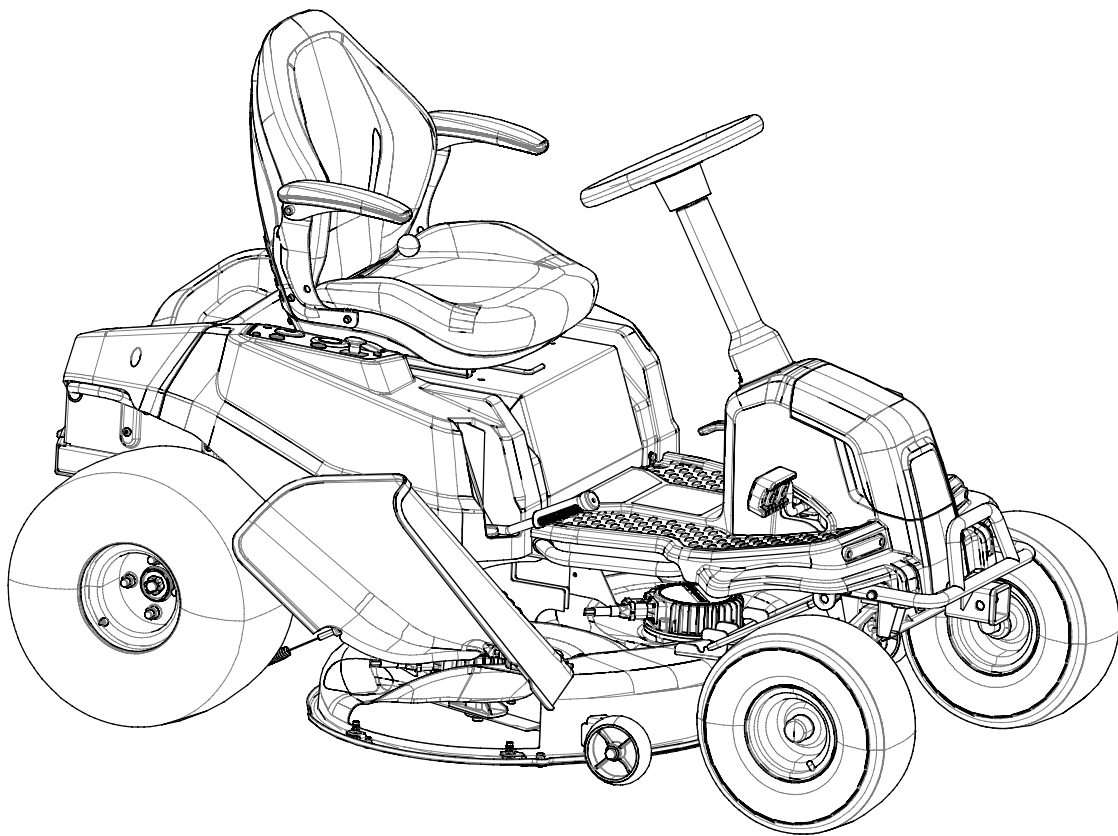


greenworks **pro**TM

CRT426 / CRT428

P0803696-01, Rev B

EN	ZERO-TURN MOWER	OPERATOR MANUAL
FR	TONDEUSE À RAYON DE BRAQUAGE ZÉRO	GUIDE D'ASSEMBLAGE
ES	CORTACÉSPED DE GIRO CERO	GUÍA DE MONTAJE






www.greenworkstools.com
www.greenworkscommercial.com

1	Risk levels.....	4	9.2	Registration and Login.....	16
2	Read all instructions.....	4	9.3	Add a device.....	18
2.1	Operator.....	4	9.4	GPS function.....	19
2.2	Machine.....	4	10	Fault code.....	22
2.3	Mowing area.....	5	11	Maintenance.....	29
2.4	Mowing.....	5	11.1	Tires.....	29
2.5	Servicing.....	5	11.2	Mower blade maintenance.....	29
2.6	Child safety.....	5	11.3	Replace the headlight.....	30
2.7	Use a ramp.....	6	11.4	Lubrication.....	30
2.8	Towing.....	6	11.5	Torque values.....	30
2.9	Battery and charger.....	6	11.6	Battery pack maintenance.....	30
3	Symbols on the product.....	6	11.7	Battery compartment filter maintenance.....	31
4	Environmentally safe battery disposal.....	7	11.8	Service.....	31
5	Proposition 65.....	8	12	Transportation.....	32
6	Description.....	8	13	Cleaning and storage.....	32
6.1	Purpose.....	8	13.1	Clean the mower deck.....	32
6.2	Overview.....	8	13.2	Store the machine.....	33
6.3	Control panel.....	8	13.3	Prepare for use after storage.....	33
7	Installation.....	9	14	Troubleshooting.....	34
7.1	Unpack the machine.....	9	15	Technical data.....	37
7.2	Install the seat.....	9	16	Warranty.....	37
7.3	Install the steering wheel.....	9	16.1	ITEMS NOT COVERED BY WARRANTY:.....	37
7.4	Install the accessories.....	10	16.2	HELPLINE:.....	37
8	Operation.....	10	16.3	TRANSPORTATION CHARGES:.....	37
8.1	Before operation.....	10	17	Greenworks Product Registration:.....	38
8.2	Operate the machine.....	12	18	Serial Number(s).....	39
9	App operation tips.....	15			
9.1	Mobile application.....	15			

1 RISK LEVELS

The following signal words and meanings are intended to explain the levels of risk associated with this product.

SYM-BOL	SIGNAL	MEANING
	DANGER	Indicates an imminently hazardous situation, which, if not avoided, will result in death or serious injury.
	WARNING	Indicates a potentially hazardous situation, which, if not avoided, could result in death or serious injury.
	CAUTION	Indicates a potentially hazardous situation, which, if not avoided, may result in minor or moderate injury.
	CAUTION	(Without Safety Alert Symbol) Indicates a situation that may result in property damage.

2 READ ALL INSTRUCTIONS

▲ WARNING

This symbol indicates important safety instructions. If these instructions are not followed, it could endanger the personal safety and/or property of the operator and others. Read and understand all instructions in this manual before attempting to operate the mower. Failure to comply with these instructions may result in personal injury.

▲ DANGER

This mower was built to be operated according to the rules for safe operation that are contained in this manual. As with any type of power equipment, carelessness or error on the part of the operator can result in serious injury. This mower is capable of amputating body parts and throwing objects. Failure to observe the following safety rules could result in serious injury or death.

▲ WARNING

Basic safety precautions should always be followed when using lawnmowers in order to reduce the risk of fire, electric shock, and personal injury.

▲ WARNING

Use of this mower should be restricted to individuals who have read and understand and will follow the warnings and instructions that are printed in this manual and on the mower.

▲ WARNING

- Carefully read all instructions on the mower and in the manual before attempting to assemble and operate the mower.
- For safe operation, read, understand, and follow all instructions in this manual.
- Become familiar with all controls and their proper operation. Know how to stop the mower and how to disengage the power in an emergency.
- Keep this manual in a safe place for reference and consult it regularly.

2.1 OPERATOR

- Do not use battery-operated ride-on mower in rain.
- Only allow responsible, capable adults who are familiar with the instructions to operate this machine.
- Safe operation requires your full attention and capabilities.
- Always look where you are going and be aware of your surroundings.
- Listen to the machine and be aware of any change.
- Feel the machine and its responses from both your inputs and the environment.
- Remain focused on your task.
- Always wear proper eye protection that complies with the latest safety standards in order to reduce the risk of eye injury while operating or performing any adjustment or repair. See ANSI Z87.1.
- Do not operate machine unless discharge guard or other safety devices are in place and working.
- Always wear a face mask or a dust mask while operating the mower in a dusty environment.
- Always dress properly. The wearing of protective gloves and safety footwear is recommended.
- Do not wear radios or music headphones while operating the machinery.
- Do not operate the equipment while wearing sandals, tennis shoes, sneakers, shorts or any type of loose-fitting clothing. Long hair, loose clothing or jewelry may get tangled in moving parts. Always wear long pants, safety glasses, ear protection and safety shoes while operating this machine.
- Stay alert! Do not operate the mower when you are tired. Do not operate the mower while under the influence of alcohol or drugs. Pay attention to what you are doing. Use common sense.
- Never carry passengers.
- Follow the manufacturer's recommendation for wheel weights or counterweights.

2.2 MACHINE

- Never operate a poorly maintained machine.
- Always keep safety shields and covers in place.

- Follow daily and weekly checklists, making sure electrical connections are secured and bolts are tightened.
- Replace damaged parts immediately.
- Never operate mower without a proper trail shield, discharge cover, switch control, or other safety device in place and in working order. Do not operate the mower with damaged safety devices; doing so can result in injury.
- Repair or replace any damaged components before restarting and operating the lawnmower.
- Only use approved replacement parts.
- Minimize exposure to water. Do not drive into water. Do not leave in rain. Do not clean with pressurized water or hose.
- Always store your lawnmower indoors. When not in use, the mower should be stored indoors in a dry and locked place, out of reach of children.

2.3 MOWING AREA

- Before mowing any area, thoroughly inspect the area for any hazards. Walk the area to ensure there is adequate traction and no holes, drop-offs, or hidden objects that could cause issues. Clear the area of objects such as rocks, wire, toys, etc., which could be thrown by the blades.
- Be sure the area is clear of bystanders before operating. Stop machine if anyone enters the area.
- Plan your mowing pattern in such a way as to avoid discharging material toward roads, sidewalks, bystanders, vehicles, windows, etc. Do not discharge material against a wall or obstruction. Doing so may cause the discharged material to ricochet back toward the operator.
- Do not mow anything but grasses.
- Stop the blades when crossing dirt, gravel, or paved surfaces.
- Avoid dangerous environments. Do not operate the mower in the rain or in wet or damp grass. To reduce the risk of electric shock, do not expose to water or operate on wet ground.

2.4 MOWING

- For riding mower models, always remain seated while operating machine.
- Do not operate on inclines greater than 15 degrees.
- Mow only in daylight or in good artificial light. Never rush a mowing job.
- Never attempt high-speed maneuvering, especially in crowded, congested areas or on slopes.
- In order to avoid contact with the blade or injury caused by a thrown object, stay in the operating zone behind the handles, and keep children and bystanders at least 100ft (30m) away from the mower while it is in operation. Stop the motor immediately if someone enters the mowing area.
- Look down and behind before and while moving backwards.

- Slow down before turning.
- Do not mow in reverse unless absolutely necessary.
- When moving in reverse, SLOWLY pull right and left Drive Control Levers rearward and avoid sudden movements. Rapid movement of the Drive Control Levers in either direction could result in a reaction of the machine that can cause serious injury.
- Do not put hands or feet near rotating parts or under the cutting deck. Contact with the blade can amputate hands and feet.
- If the mower starts to vibrate excessively, stop the motor and check for the cause immediately. Excessive vibration is generally a sign the mower is not functioning properly.
- Stop the motor and wait until the blade comes to a complete stop before unclogging the chute. The cutting blade will continue to rotate for a few seconds after the motor is shut off. Do not place any part of your body in the blade area until you are sure that the blade has stopped rotating.
- If lawnmower strikes a foreign object, stop the machine, rotate the ignition switch to "OFF" position, then, if it is safe, inspect for damage.
- Don't force the lawnmower.
- Do not use the mower for any job except that for which it is intended.

2.5 SERVICING

- Turn off and remove key before servicing, cleaning, or removing material from the ride-on mower.
- Do not reach under blade guard. Keep hands, feet, and clothing away from rotating blades.
- To reduce personal risk and damage to the machine, never clean with pressure washer.
- Maintain your mower. Keep cutting edges sharp and clean to ensure the best performance and safe operation.

2.6 CHILD SAFETY

Tragic accidents can occur if the operator is not aware of the presence of children. Children are often attracted to the machine and the mowing activity. Never assume that children will remain where you last saw them.

- Never leave machine unattended with key in switch, especially with children present.
- Keep children out of the mowing area and under the watchful care of a responsible adult other than the operator.
- Do not allow children under the age of 14 to operate this mower. Children who are 14 years of age and older must read and understand the operating instructions and safety rules in this manual, and must be trained and supervised by a parent.
- Always disengage deck blade switch and turn key to "OFF" position and remove key.
- Stay alert, and turn the mower off if a child or any other person enters the mowing area.

- Use extreme care when approaching blind corners, doorways, shrubs, trees, or other objects that may obscure your view of a child who may run into the path of the mower.
- Before and while backing, look behind and down for small children.
- Never carry children on the mower with you, even with the blade(s) shut off. They may fall off and be seriously injured or interfere with safe machine operation. Children who have been given rides in the past may suddenly appear in the mowing area for another ride and be run over or backed over by the machine.

2.7 USE A RAMP

- Use extreme caution when loading and unloading this mower onto a truck or trailer with a ramp.
- Use only a single, full-width ramp. This provides a surface for the mower frame to contact if the unit starts to tip backwards. It also reduces the risk of a wheel going off and the machine tipping over.
- Do not exceed a 15-degree angle between the ramp and the ground or between the ramp and the trailer or truck.
- Become familiar with the mower's controls and confident in its smooth operation before attempting to drive it up or down a ramp.
- Use slow drive mode and drive carefully.
- Avoid any sudden movement of the controls and use only slow, even acceleration.

2.8 TOWING

- Tow only with a machine that has a hitch designed for towing. Do not attach towed equipment except at the hitch point.
- Follow the manufacturer's recommendation for weight limits for towed equipment and towing on slopes.
- Never allow children or others in or on towed equipment.
- On slopes, the weight of the towed equipment may cause loss of traction and loss of control.
- Travel slowly and allow extra distance to stop.


2.9 BATTERY AND CHARGER

- Prevent unintentional starting. Ensure the switch is in the off-position before connecting to battery pack, picking up or carrying the appliance. Carrying the appliance with your finger on the switch or energizing appliance that have the switch on invites accidents.
- Disconnect the battery pack from the appliance before making any adjustments, changing accessories, or storing appliance. Such preventive safety measures reduce the risk of starting the appliance accidentally.
- Recharge only with the charger specified by the manufacturer. A charger that is suitable for one type of battery pack may create a risk of fire when used with another battery pack.

- Use appliances only with specifically designated battery packs. Use of any other battery packs may create a risk of injury and fire.
- When battery pack is not in use, keep it away from other metal objects, like paper clips, coins, keys, nails, screws or other small metal objects, that can make a connection from one terminal to another. Shorting the battery terminals together may cause burns or a fire.
- Under abusive conditions, liquid may be ejected from the battery; avoid contact. If contact accidentally occurs, flush with water. If liquid contacts eyes, additionally seek medical help. Liquid ejected from the battery may cause irritation or burns.
- Do not use a battery pack or appliance that is damaged or modified. Damaged or modified batteries may exhibit unpredictable behavior resulting in fire, explosion or risk of injury.
- Do not expose a battery pack or appliance to fire or excessive temperature. Exposure to fire or temperature above 130°C may cause explosion. The temperature of 130°C can be replaced by the temperature of 265°F.
- Follow all charging instructions and do not charge the battery pack or appliance outside of the temperature range specified in the instructions. Charging improperly or at temperatures outside of the specified range may damage the battery and increase the risk of fire.
- Have servicing performed by a qualified repair person using only identical replacement parts. This will ensure that the safety of the product is maintained.
- Do not modify or attempt to repair the appliance or the battery pack (as applicable) except as indicated in the instructions for use and care.

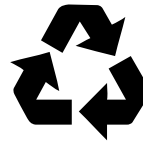
3 SYMBOLS ON THE PRODUCT

Some of the following symbols may be used on this tool. Please study them and learn their meaning. Proper interpretation of these symbols will allow you to operate the tool better and safer.

Symbol	Name	Explanation
V	Volt	Voltage
A	Amperes	Current
Hz	Hertz	Frequency (cycles per second)
W	Watt	Power
min	Minutes	Time
/min	Per Minute	Revolutions, strokes, surface speed, orbits etc., per minute
	Direct Current	Type or a characteristic of current
n_0	No Load Speed	Rotational speed, at no load

Symbol	Name	Explanation
	Safety Alert	Precautions that involve your safety.
IPX4	Ingress Protection Degree	Protection from splashing water.
	Read Operator's Manual	To reduce the risk of injury, user must read and understand operator's manual before using this product.
	Eye Protection	Always wear eye protection with side shields marked to comply with ANSI Z87.1 when operating this equipment.
	DANGER --- Keep Hands and Feet Away	To reduce the risk of injury, keep hands and feet away from rotating parts. Do not operate unless discharge cover or grass bag is in its proper place. If damaged, replace immediately.
	DANGER --- Steep Slope Hazard	Use extra caution on slopes. do not mow slopes greater than 15 degrees.
	DANGER --- Thrown Debris	Remove objects that can be thrown by the blade in any direction. Wear safety glasses.
	DANGER --- Keep Bystanders Away	Keep all bystanders at least 100 ft. away.
	DANGER --- Keep Bystanders Away	Keep the area of operation clear of all bystanders, particularly small children. Stop the machine and attachment(s) if anyone enters the area.
	Look around	Always look where you are going and be aware of your surroundings.
	Keep children away	Never carry children on the mower with you. Keep children and animals out of the mowing area.
	No Reach	Do not reach hands or feet under mower deck.

4 ENVIRONMENTALLY SAFE BATTERY DISPOSAL



The toxic and corrosive materials below are in the batteries used in this machine: **Lithium-Ion, a toxic material.**

▲ WARNING

Discard all toxic materials in a specified manner to prevent contamination of the environment. Before discarding damaged or worn out Li-ion battery, contact your local waste disposal agency, or the local Environmental Protection Agency for information and specific instructions. Take the batteries to a local recycling and/or disposal center, certified for lithium-ion disposal.

▲ WARNING

If the battery pack cracks or breaks, with or without leaks, do not recharge it and do not use. Discard it and replace with a new battery pack. **DO NOT TRY TO REPAIR IT!** To prevent injury and risk of fire, explosion, or electric shock, and to avoid damage to the environment:

- Cover the terminals of the battery with heavy-duty adhesive tape.
- **DO NOT** try to remove or destroy any of the battery pack components.
- **DO NOT** try to open the battery pack.
- If a leak develops, the released electrolytes are corrosive and toxic. **DO NOT** get the solution in the eyes or on skin, and do not swallow it.
- **DO NOT** put these batteries in your regular household trash.
- **DO NOT** incinerate.
- **DO NOT** put them where they will become part of any waste landfill or municipal solid waste stream.
- Take them to a certified recycling or disposal center.

5 PROPOSITION 65

▲ WARNING

This product contains a chemical known to the state of California to cause cancer, birth defects or other reproductive harm. Some dust created by power sanding, sawing, grinding, drilling, and other construction activities contains chemicals known to cause cancer, birth defects or other reproductive harm. Some examples of these chemicals are:

- Lead from lead-based paints;
- Crystalline silica from bricks and cement and other masonry products;
- Arsenic and chromium from chemically treated lumber.

Your risk of exposure to these chemicals varies depending on how often you do this type of work. To reduce your exposure to these chemicals, work in a well-ventilated area, and work with approved safety equipment, such as dust masks that are specially designed to filter out microscopic particles.

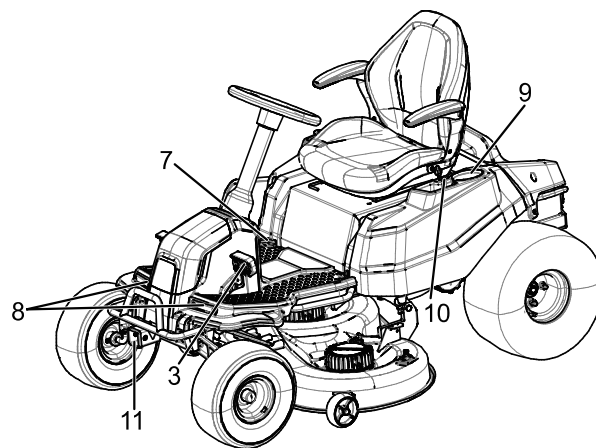
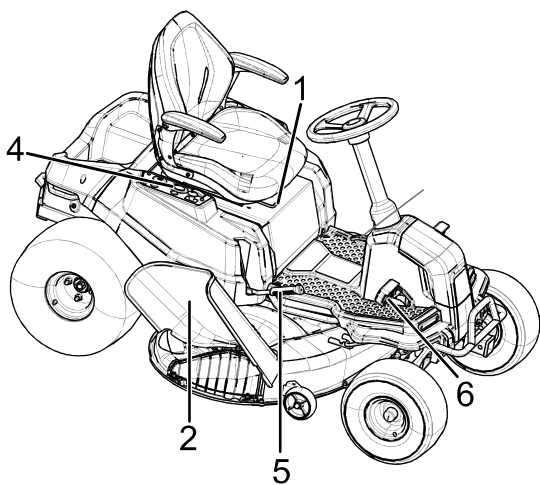
Save these instructions.

6 DESCRIPTION

6.1 PURPOSE

This machine is used for domestic lawn mowing. The cutting blade should be parallel to the ground. All four wheels must touch the ground while mowing.

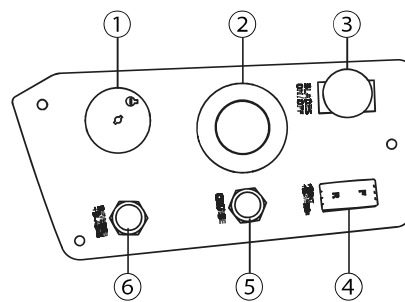
6.2 OVERVIEW



- 1 Seat adjustment lever
- 2 Side discharge chute
- 3 Brake pedal
- 4 Control panel
- 5 Deck height adjustment lever
- 6 Accelerator pedal
- 7 Parking brake bar
- 8 Headlights
- 9 Cup holder
- 10 USB port
- 11 ETO socket (2" X 2")

6.3 CONTROL PANEL

6.3.1 CONTROL PANEL



#	Name	Function
1	Power switch with start key	The power switch is used to turn the mower on and off. The start key must be inserted before the switch can be operated.
2	Digital display	This display shows important electrical system information. Refer to the Electrical section for complete information.

#	Name	Function
3	PTO switch	Pull the PTO switch up to activate the mower's cutting blades. Push the knob down to stop the cutting blades. i NOTE For cutting in reverse, the reverse mode button must also be activated.
4	Direction control button	The direction of movement of the mower is controlled using the direction control switch. Available settings are forward (F) and reverse (R).
5	Cruise control button	The cruise control button allows you to continue forward at a set speed without needing to press the accelerator pedal.
6	Reverse mode button	Press the reverse mode button to allow the mower to cut when maneuvering in the reverse direction. The blades will not work if mower is operated in reverse without pressing the reverse mode button. i NOTE The PTO switch must also be pulled up for mowing to occur when maneuvering in reverse.

7 INSTALLATION

▲ WARNING

Do not use accessories that are not recommended by the manufacturer.

▲ WARNING

Do not put in the safety key or the battery pack until you finalised the assembly of all the parts.

7.1 UNPACK THE MACHINE

▲ WARNING

Make sure that you correctly assemble the machine before use.

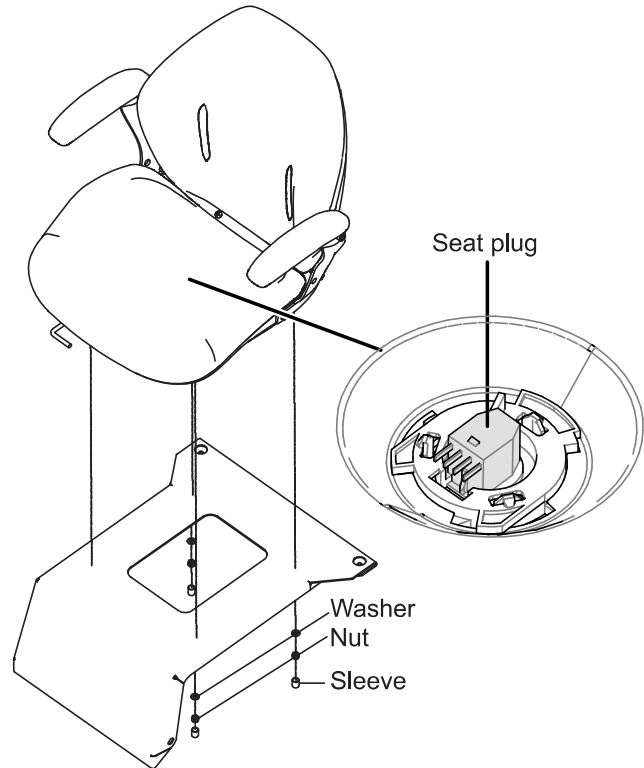
▲ WARNING

- If parts of the machine are damaged, do not use the machine.
- If you do not have all the parts, do not operate the machine.
- If parts are damaged or missing, contact the service center.

1. Open the package.
2. Read the documentation provided in the box.

3. Remove all the unassembled parts from the box.
4. Remove the machine from the box.
5. Discard the box and packing material in compliance with local regulations.

7.2 INSTALL THE SEAT

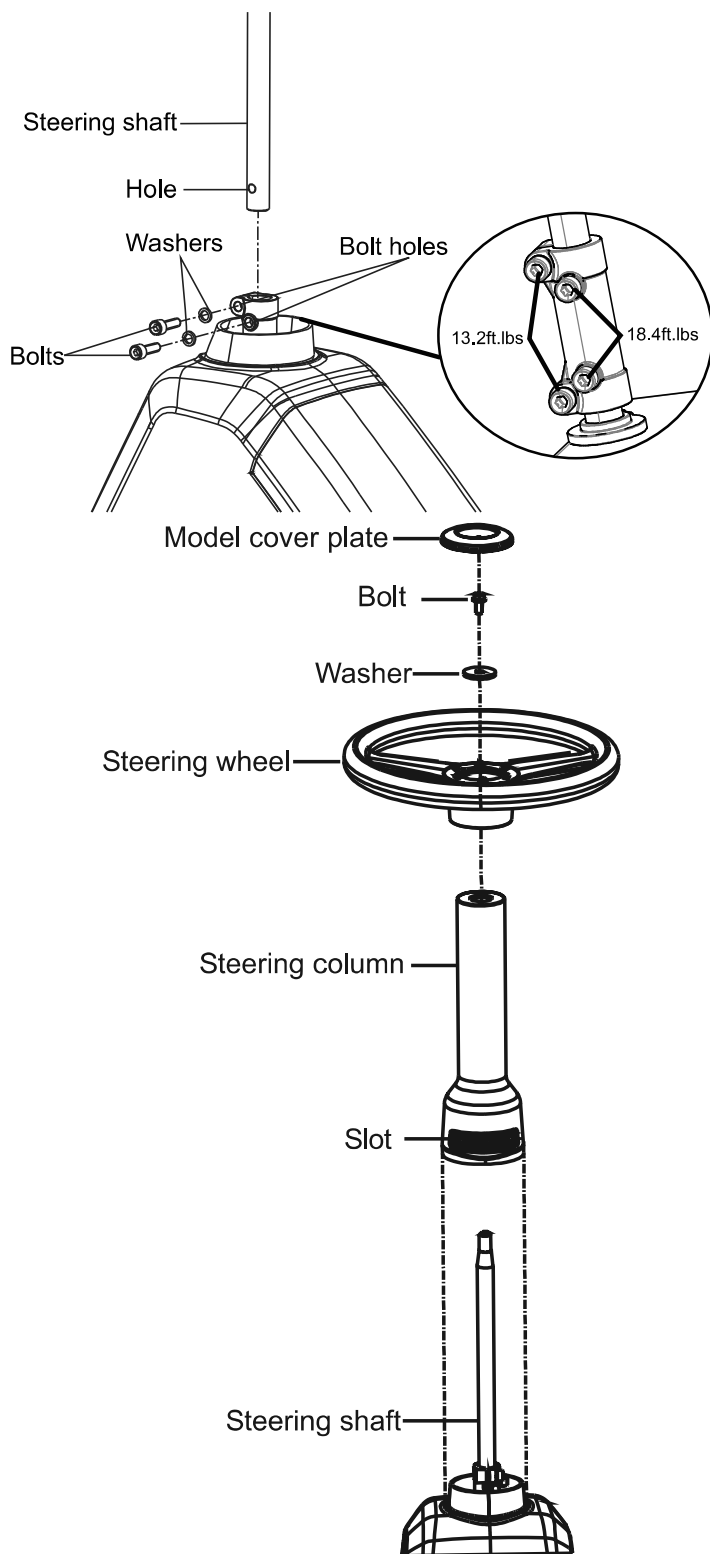


1. Place the seat assembly over the mounting brackets and align holes as shown.
2. Connect the seat plug to the machine.
3. Install the washers and nuts and tighten securely.
4. Attach the sleeve to the nut.
5. Make sure it is securely seated.

7.3 INSTALL THE STEERING WHEEL

i NOTE

Make sure the slot faces up to the seat.



1. Install the steering shaft into the coupler, rotating as needed to align hole in shaft with bolt hole in coupler.
2. Install two bolts and tighten securely.

i NOTE

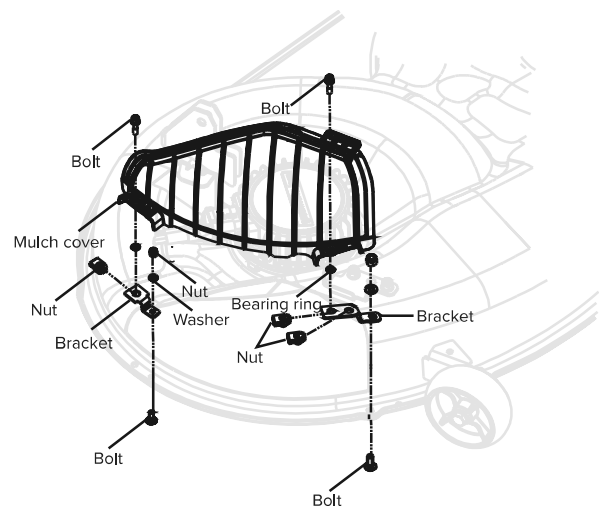
Torque bolts to the value as shown.

3. Install the steering column. Note the tabs on the bottom of the steering column that fit into the holes in the opening and make sure steering column is securely seated.
4. Make sure the mower's wheel is pointed straight ahead, then install the steering wheel over the steering column with force.
5. Install the bolt and washer; tighten securely.
6. Install the steering wheel cover plate.

7.4 INSTALL THE ACCESSORIES

1. Mulch cover

7.4.1 INSTALL THE MULCH COVER



The mower is configured for side discharge when shipped. If mulching is desired:

1. Place the mulch cover on the tab on the mower housing.
2. Align the holes in the mulch cover and the holes in the mower housing.
3. Install and tighten the bolts, screws, fixation clamps and bearing ring as shown.

8 OPERATION

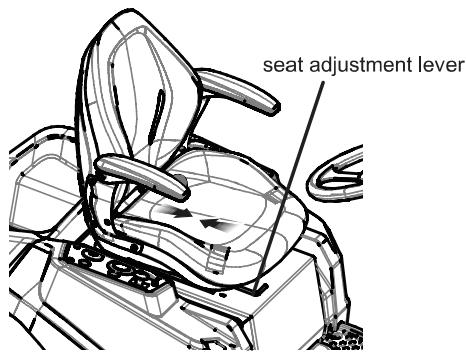
▲ WARNING

Wear eye protection during operation.

8.1 BEFORE OPERATION

8.1.1 ADJUST THE SEAT

Adjust the seat position to ensure you are able to make firm contact with the accelerator and brake pedals before operating the mower.



1. Sit down on seat and lift the seat adjustment lever.
2. While holding the lever, slide the seat to the desired position.
3. Release the lever and make sure the seat is locked in position before operating the mower.

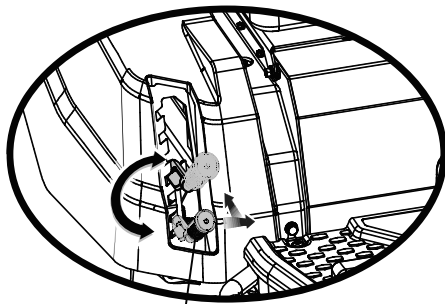
▲ WARNING

Be sure the seat is locked into place before operating the mower. A seat that is not secure can cause the operator to shift and lose control of the mower and result in possible death or serious personal injury.

8.1.2 ADJUST THE DECK CUTTING HEIGHT

Before using the mower, raise the deck height to the cutting position best suited for your lawn.

Deck height is adjustable from 1.5-4.5" inches. Deck should be raised while mowing is in progress to avoid stumps, rocks or other obstacle that can be damage mower deck.



Deck height adjustment lever

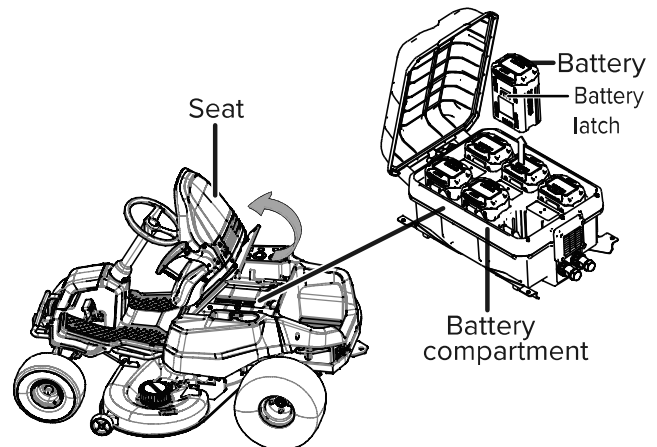
1. Stop the mower and disengage blades.
2. Turn key to OFF position and set the parking brake.
3. To raise the cutting deck, grasp the deck height adjustment lever, push left to disengage from slot, move toward the back of the mower, then push right into slot to secure.
4. To lower the cutting deck, grasp the deck height adjustment lever, push left to disengage from slot, move toward the front of the mower, then push right into slot to secure.

▲ CAUTION

Hold the deck height adjustment lever firmly when setting the deck height and only release when it is secure in the desired slot. Quickly letting go of the lever may create a pinching or pulling hazard to the operator's hand.

8.1.3 INSTALL THE BATTERY PACK

To verify mower batteries are fully charged, check the battery level indicator. See the battery manual for more details.



1. Lift the seat panel.
2. Lift the battery compartment cover.
3. Install the battery pack into the battery compartment.

▲ WARNING

Align the ribs of the battery with the battery port. Make sure that the battery latch clicks into the battery compartment smoothly.

8.1.4 BEFORE OPERATING THE MACHINE

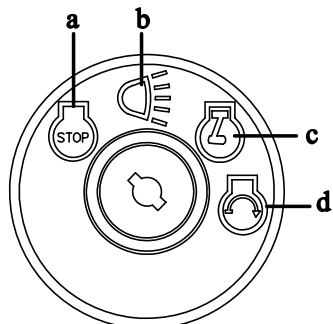
- Ensure work area is clear of children, bystanders, and pets.
- Clear the work area of objects that may be thrown by the mower blades.
- Check brake operation.
- Check tire pressure.
- Check for loose fasteners.
- Check to make sure all guards are in place and working properly.
- Clean debris from mower.
- Test safety interlock system.
- Adjust seat to desired position.
- Verify battery charge level.

8.2 OPERATE THE MACHINE

8.2.1 START THE MACHINE

▲ WARNING

Clear the area of bystanders before operating the mower. If anyone enters the mowing area, stop immediately and do not return to mowing until the bystanders leave the area.



a	Stop / Off
b	On (with lights)
c	Run
d	Start

1. Raise the mower deck to its highest position.
2. Insert start key and turn to start position (d).

i NOTE

The key will return back to (c) position automatically. Wait for 4 seconds until the display shows normally.

3. Release the parking brake.

i NOTE

The buzzer alarms for one time, the machine is READY TO GO, then you can drive the machine even without blade working.

4. Place steering control levers in forward (F) position and drive to desired mowing location.

▲ WARNING

Be certain you have correctly set your intended direction of travel with the direction control button before pressing the accelerator pedal. Failure to do so could result in you driving the mower in an unintended direction, which could cause loss of control or an accident resulting in death, serious personal injury, or property damage.

i NOTE

Turn the headlight on by turning the key to the position (b) when you power on the machine.

▲ WARNING

Use caution when crossing over gravel paths or driveways. Before crossing, disengage the blades and raise the cutting deck to the highest position to minimize the possibility of ricochet. Drive slowly to avoid loss of traction and control.

▲ WARNING

Do not attempt to change the direction of operation while the mower is in motion. Always come to a complete stop before changing the mower direction.

▲ WARNING

Steering control levers will spring back towards neutral position if you release them, but you still need to control them manually to reach neutral position.

8.2.2 STOP THE MACHINE

1. Stop mower on a flat, level surface.
2. Set the parking brake.
3. Push the PTO switch down to turn blades off.
4. Turn the key to OFF position (a).

8.2.3 SET THE CRUISE CONTROL

Cruise control allows the mower to remain at a constant speed without the operator having to maintain pressure on the accelerator pedal. It should only be used in the forward position on relatively smooth, straight surfaces, and should never be used on slopes or rough terrain.

8.2.3.1 SET THE CRUISE CONTROL

1. While driving the mower forward, press the accelerator pedal until the desired rate of speed is achieved.
2. Press the cruise control button. The light around the button will illuminate to show cruise control is active.
3. Release pressure on the accelerator pedal. Mower speed should remain constant.

8.2.3.2 RELEASE THE CRUISE CONTROL

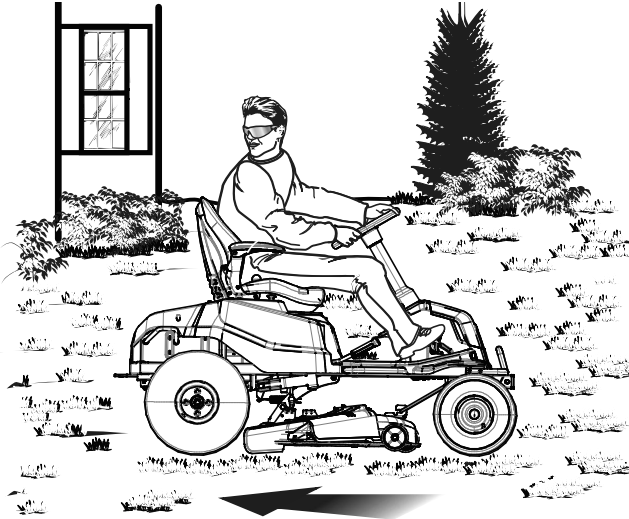
1. Tap on the accelerator pedal, depress the brake pedal, or press the cruise control button again.

8.2.4 SET THE PARKING BRAKE

1. Fully depress and hold the brake pedal.
2. Push the parking brake lever all the way down until it engage into the slot.
3. Release the brake pedal.

▲ WARNING

Never leave the mower unattended when the motor is running. Verify that the parking brake is set and the key has been removed. Failure to set the parking brake could cause the mower to move, and leaving the key could allow unauthorized use that could result in serious personal injury.

8.2.5 REVERSE MODE OPERATION:

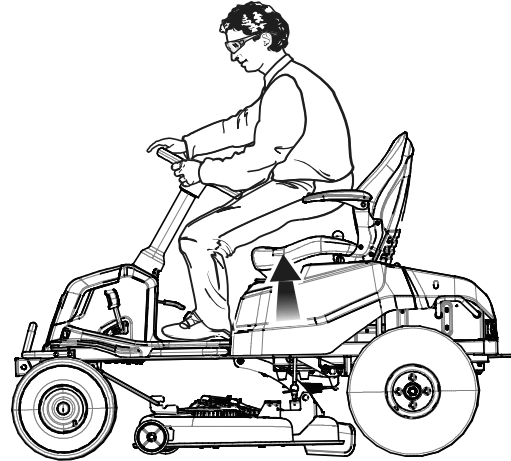
- Depress the brake pedal and bring the mower to a complete stop.
- Push the PTO switch down to turn blades off.
- Place direction control switch in reverse (R) position.
- Raise the PTO switch, slowly press accelerator pedal, and reverse mow as needed.
- Keep pressing the reverse mode button to activate the blade.

▲ WARNING

Do not mow in reverse unless absolutely necessary. Always look down and behind before and while backing to make sure no children, bystanders, or pets enter the mowing area. Be aware that the reverse mode operation is activated when the reverse mode button is illuminated in green. Remember that a careless fraction of a second is sufficient to inflict death or serious injury.

▲ WARNING

Be especially careful before and when backing with the bagger kit (not provided) installed, as it may limit visibility. Always look closely behind and down for small children, bystanders, and pets and move the mower slowly to prevent back over accidents that can cause death or serious personal injury.

8.2.6 SAFETY INTERLOCK SYSTEM

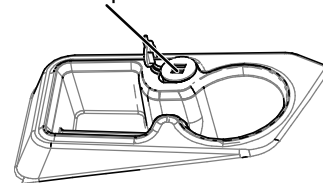
This mower features a Safety Interlock System to protect the operator by shutting off the blades if the operator leaves the seat with the blades running. Test the system before each use to be sure it is working correctly.

1. Make sure direction control switch is in neutral (N) position and PTO switch is down.
2. Install start key and turn to start position.
3. Raise the PTO switch to activate blades.
4. Briefly lift off the seat, but do not get off the mower.

The blades should shut off within 5 seconds. If they don't, contact customer service. Do not operate the mower until the safety interlock system has been repaired.

8.2.7 USE THE USB PORT

USB port



The USB charging port provides charging power of 5 Volts DC at up to 2.1 amps for your cell phone, MP3 player, or other USB devices. Consult the owner's manual for your device for specific charging requirements.

Connect one end of a USB cable (not provided) to your device and the other end to the USB charging port on the mower, to begin charging your device.

i NOTE

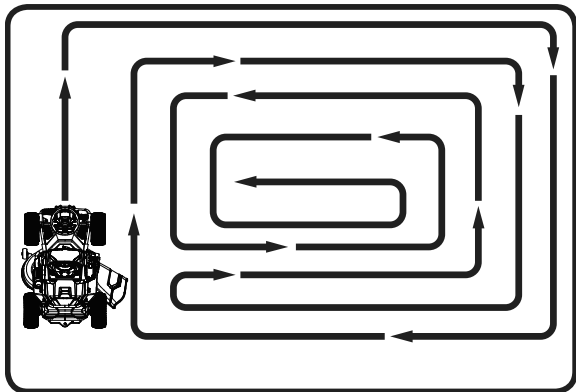
Attempting to charge devices rated more than 2.1 amps could damage the USB charging port and/or the mower.

i NOTE

The USB port is only powered when the machine starts.

▲ WARNING

Never use headphones or any electronic device, such as a smart phone or tablet, while operating the mower. Distracted operation can result in an accident that could result in death or serious personal injury to the operator or a bystander.

8.2.8 OPERATION TIPS

- Keep mower blades sharp.
- Make sure the lawn is clear of stones, sticks, wires, toys, tree nuts, tree branches, and other objects that could damage the lawn mower blades or motor. Do not mow over property stakes or other metal posts. Such objects could damage the blade or be accidentally thrown by the mower in any direction and cause serious personal injury to the operator and others.
- For a healthy lawn, always cut off one-third or less of the total length of the grass.
- When mowing large areas, start by turning to the right so that clippings will discharge away from shrubs, fences, driveways, etc. After one or two rounds, mow in the opposite direction, making left hand turns until finished.
- Mow so that discharged clippings exit in the direction of the lawn area that has already been cut.
- When cutting heavy grass, reduce speed to allow for more effective cutting and a proper discharge of the clippings.
- **During normal mowing**, cut only about 1.5" of the grass blade. Cutting more than that is not recommended unless grass is sparse or it is the end of the mowing season.
- Do not cut wet grass. It will stick to the underside of the deck and prevent proper bagging or mulching of grass clippings.
- New or thick grass may require a narrower cut or a higher cutting height.
- Keep the mower deck and side discharge chute clean. Remove grass clippings, leaves, dirt, and any other accumulated debris before and after each use. Do not spray with a garden hose to clean.

i NOTE

Always stop mower, allow blades to completely stop, and remove the start key before cleaning underneath the mower.

8.2.9 SLOPE OPERATION

Slopes are a major factor related to loss of control and tip-over accidents, which can result in severe injury or death. Operation on all slopes requires extra caution. If you cannot back up the slope or if you feel uneasy on it, do not mow it.

- Travel in the manufacturer recommended direction on slopes. Use caution while operating near drop-offs.
- Do not operate machine under any condition where traction, steering, or stability is in question. Tires could slide even if the wheels are stopped.
- Always keep the machine in gear when going down slopes. Do not coast downhill.
- Mow up and down slopes, not across.
- Watch for holes, ruts, bumps, rocks, or other hidden objects. Uneven terrain could overturn the machine. Tall grass can hide obstacles.
- Do not mow near drop-offs, ditches or embankments. The machine could suddenly roll over if a wheel goes over the edge or if the edge caves in.
- Choose a low ground speed so you will not have to stop or shift while on a slope.
- Do not mow on wet grass. Tires may lose traction.
- Avoid starting, stopping, or turning on a slope. If the tires lose traction, disengage the blade(s) and proceed slowly straight down the slope.
- Keep all movement on slopes slow and gradual. Do not make sudden changes in speed or direction, which could cause the machine to roll over.
- Use extra care while operating machine with attachments; they can affect the stability of the machine. Do not use on steep slopes.
- If using the optional bagger kit, use extreme caution and operate the mower slowly when operating on slopes, as the bagging kit can change the stability of the mower.
- Always use the brakes when travelling down the slope. Do not attempt to let the mower coast downhill in neutral.

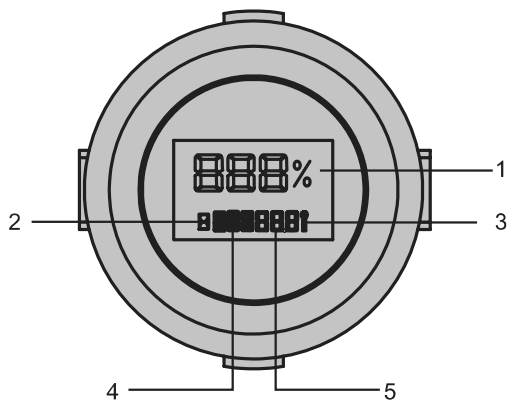
8.2.10 DIGITAL DISPLAY

The function of the digital display, located on the control panel, is to provide electrical system information to the

operator. It gives detailed information in the form of pattern, codes and number.

8.2.10. DIGITAL DISPLAY

1



#	Name	Meaning
1	888%	Battery remaining capacity
2	⊗	Time signal
3	⚡	Controller fault/ battery fault/ motor fault/ vehicle fault
4	⊗⊗⊗	Fault position
5	888	Fault code/ total working hours

8.2.11 FAULTS

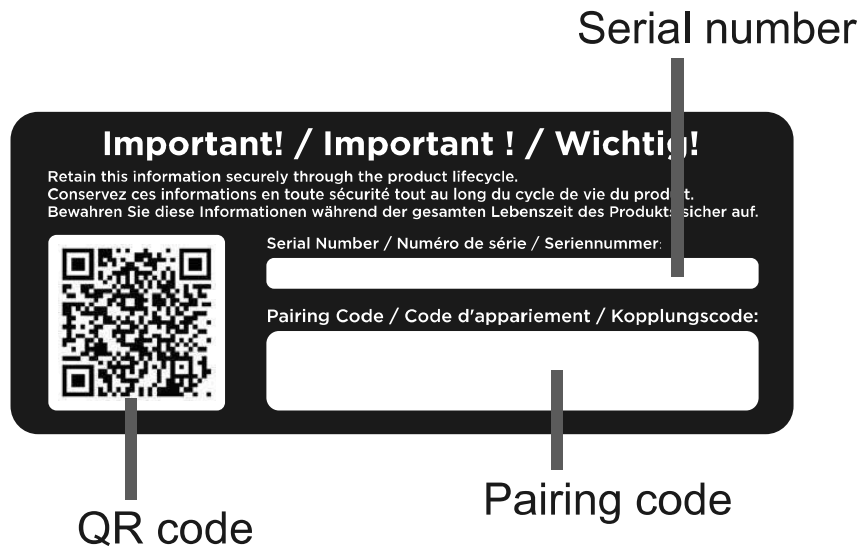
The Canbus system will take action to protect the user and machine when it detects an issue. When it acts to turn off the machine or a component, it will indicate that a fault has occurred, and that fault will be shown on the digital display. All electrical faults have a letter code followed by a number. The first letter describes the system that caused the fault according to this chart:

T	Traction Controller and motor
PMU	Power management unit (in the battery cabin)
MR	Right Blade Controller and motor
ML	Left Blade Controller and motor

9 APP OPERATION TIPS

9.1 MOBILE APPLICATION

Find the serial number, pairing code and QR code in the vehicle matching label on your QUICK START GUIDE.

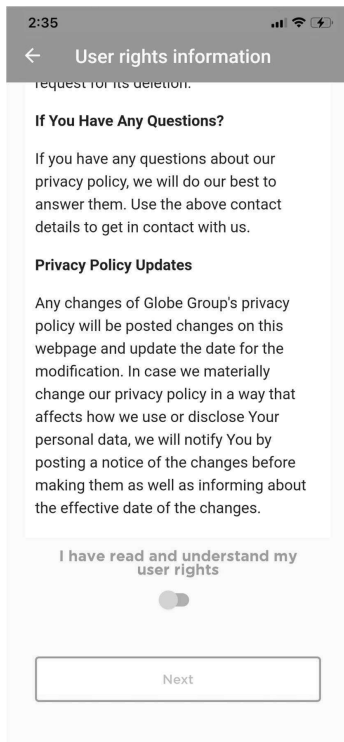


9.2 REGISTRATION AND LOGIN

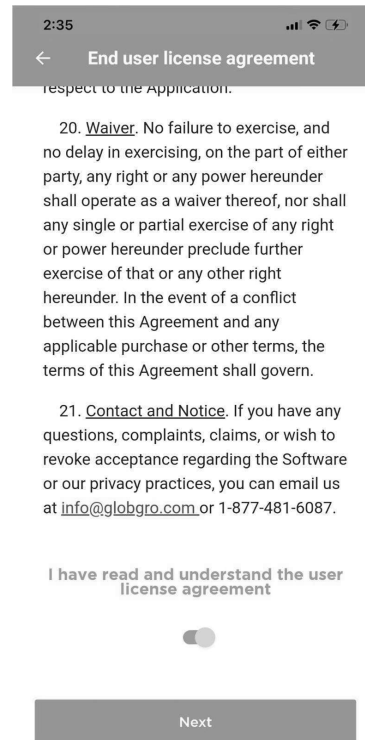
Scan the QR code and download the app and login in.

<p>Step 1. Create an account and then log in.</p> <p>The screenshot shows a dark grey background with white text. At the top, it says "You are almost there!". Below this, there is a paragraph: "In order to use this app you need to create an account. Don't worry, it's easy and takes hardly any time, at all." There are two buttons: "Create an account" and "Login". At the bottom, there is a link: "Forgot password?".</p>	<p>Step 2. Fill in the registration information (with * is required), and then click the "next" button.</p> <p>The screenshot shows a light grey background with a dark grey header that says "Create account" with a back arrow. There are several input fields: "Email*", "Password*", "Repeat password*", "Name", "Phone number", and "Account location*". Below the "Account location*" field, there is a dropdown menu labeled "Select the account location". At the bottom, there is a "Next" button.</p>
---	--

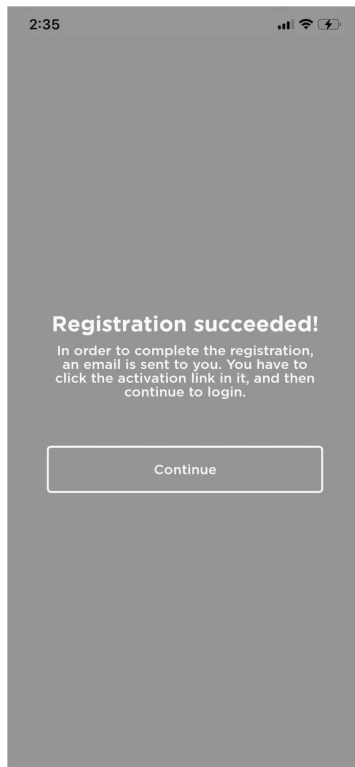
Step 3. Confirm User Rights.



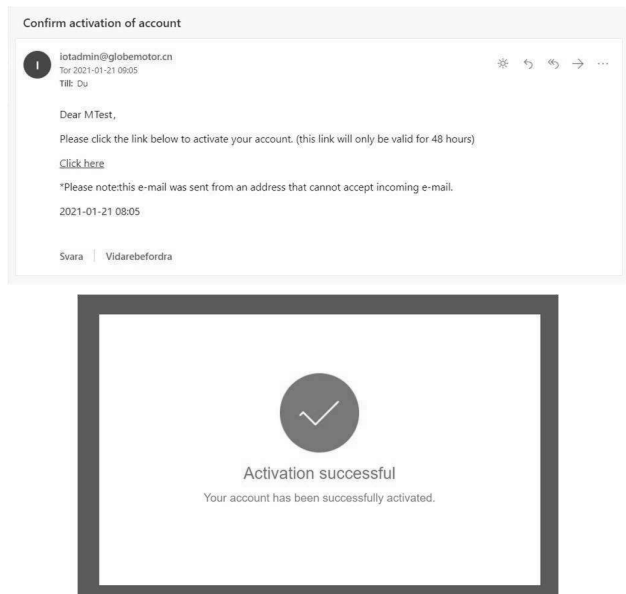
Confirm End User License Agreement.



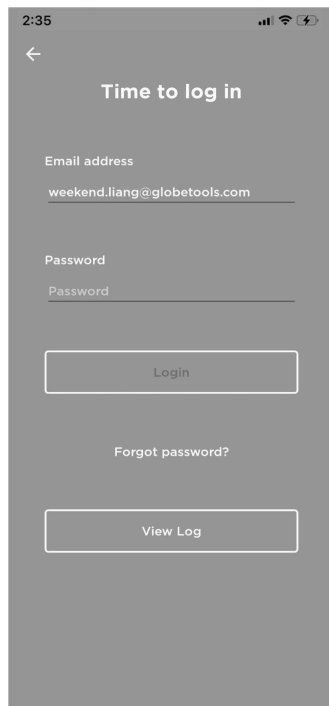
Step 4.1. Activate the account email, click "Continue".



Step 4.2. Open the email and click "Click here" to get to the log in interface.

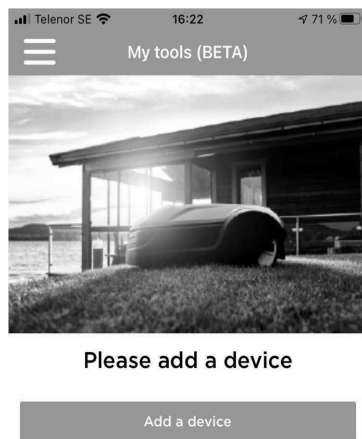


Step 5. Log in.



9.3 ADD A DEVICE

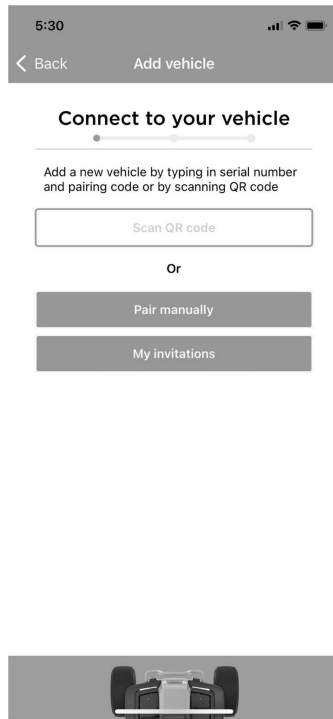
Step 1. Add a device of Greenworks tools.



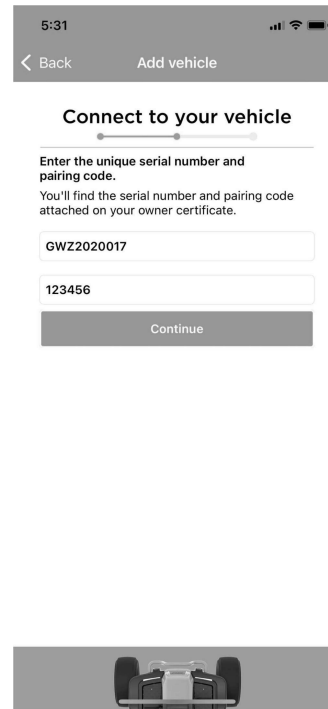
Step 2. Find category of vehicle according to your device type, then click button "Pair" (Vehicle).



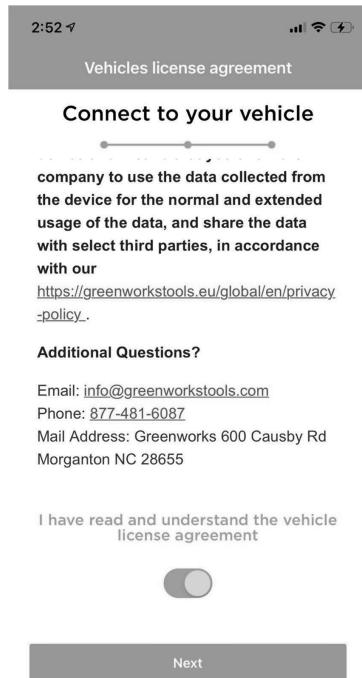
Step 3. Pairing by entering serial number + Pairing code (Owner).



Step 4. When you select option “pair manually”, just manually input Serial Number + Pairing Code



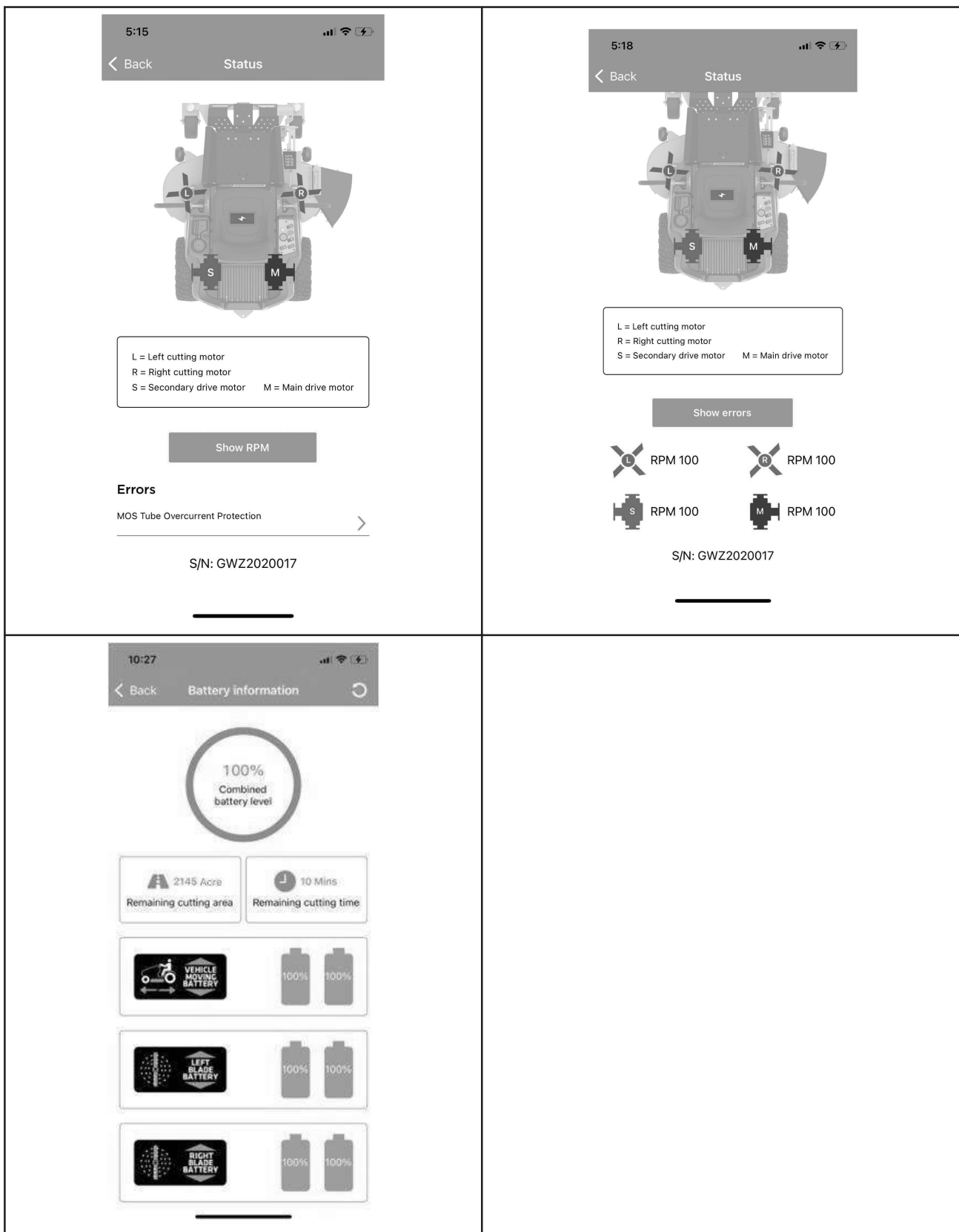
Step 5. Review device license agreement and sign it.



9.4 GPS FUNCTION

1. Upload data

Connect your mobile phone to the APP, and you can check fault, speed, and battery power of the machine through the APP.



2. GPS

The machine is equipped with GPS function, you can connect your mobile phone to the machine by the APP. It is convenient to locate your machine and achieve anti-theft effect.

This icon shows the position where the vehicle was last connected on map.



When click vehicle icon, it will show the device's name, latest latitude and longitude.

Click the copy icon to copy the value of latitude and longitude.



▲ WARNING

The 4G & GPS connectivity device may lose the GPS satellite signal or cellular connection at any time. Due to heavy tree canopies, large buildings, poor weather conditions, electrical interference, dead zones, or other obstacles.